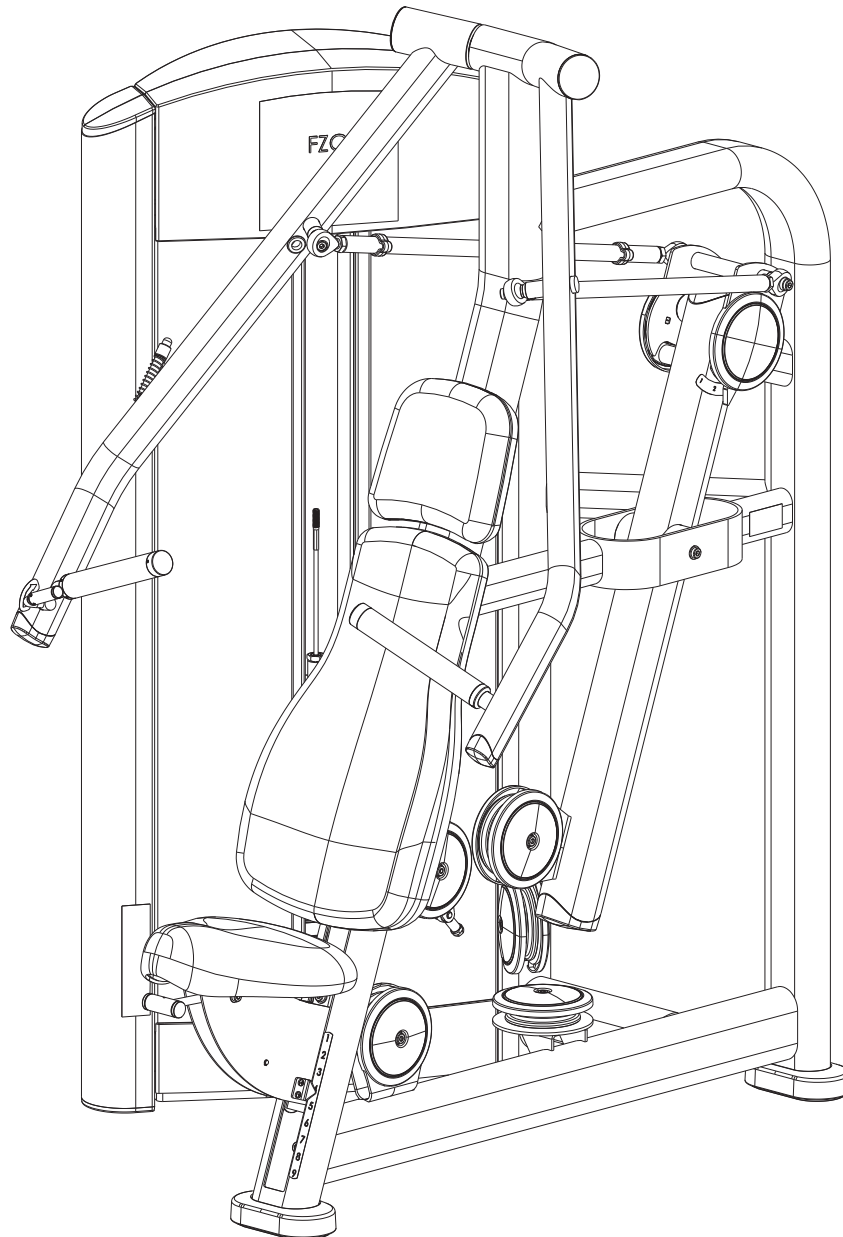




SIGNATURE SERIES  
FZCP CHEST PRESS



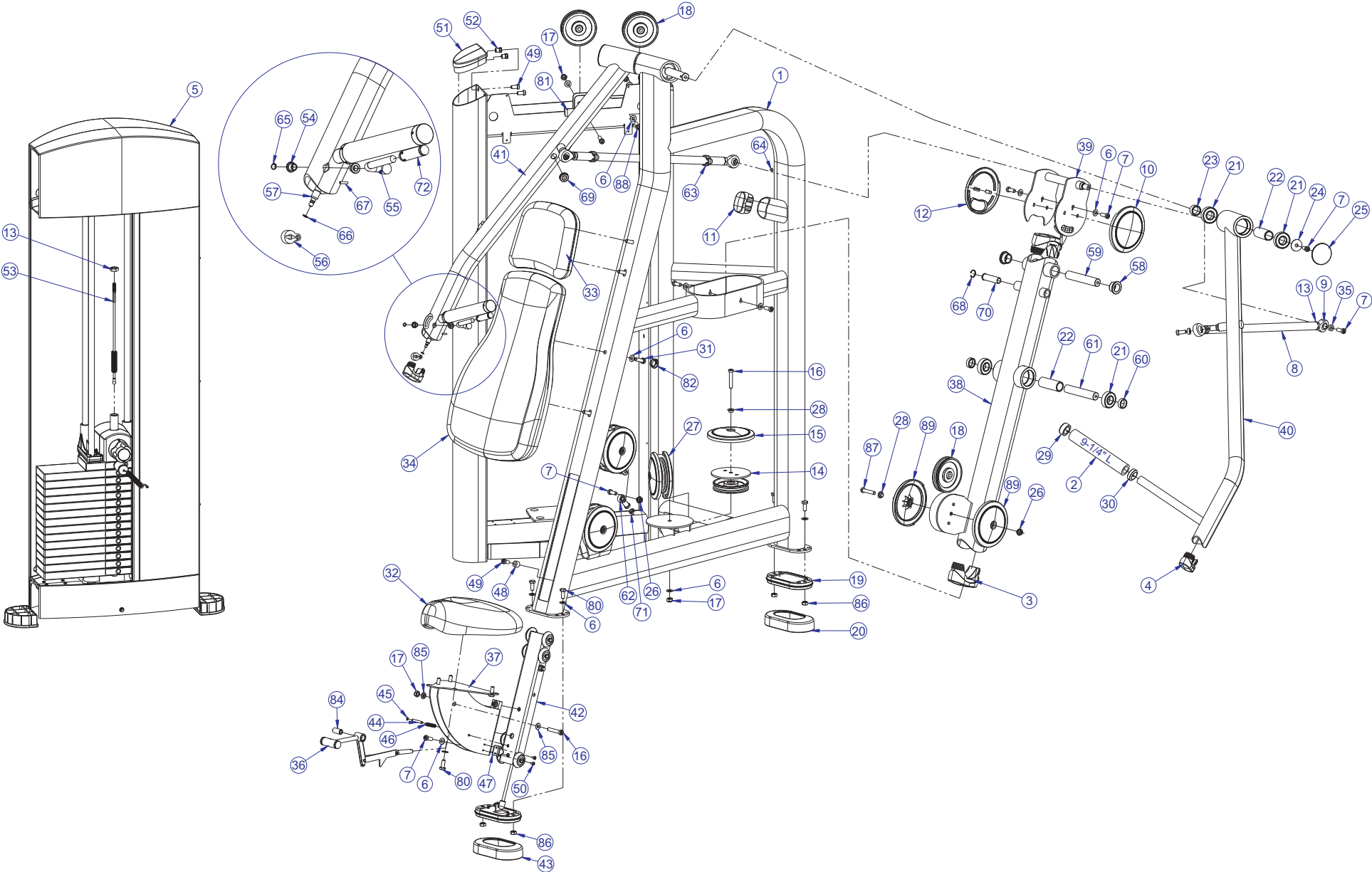
Customer Support Services  
**PARTS MANUAL**

# FZCP CHEST PRESS CONTENTS

---

	PAGE
COMPONENT ASSEMBLY	3
COMPONENT ASSEMBLY II	4
COMPONENT ASSEMBLY LEGEND	5
SEAT CARRIAGE ASSEMBLY	6
SEAT CARRIAGE ASSEMBLY LEGEND	7
ADJUSTER HANDLE ASSEMBLY	8
MID-14 TOWER ASSEMBLY	9
PLASTIC TOWER ASSEMBLY	10
MID-14 WEIGHT STACK ASSEMBLY	11
5 LB. INCREMENT WEIGHT ASSEMBLY	12
10 LB. INCREMENT WEIGHT ASSEMBLY	13
15 LB. INCREMENT WEIGHT ASSEMBLY	14
HEAD PLATE ASSEMBLY	15
HEAD PLATE ASSEMBLY LEGEND	16
IMAGE	17

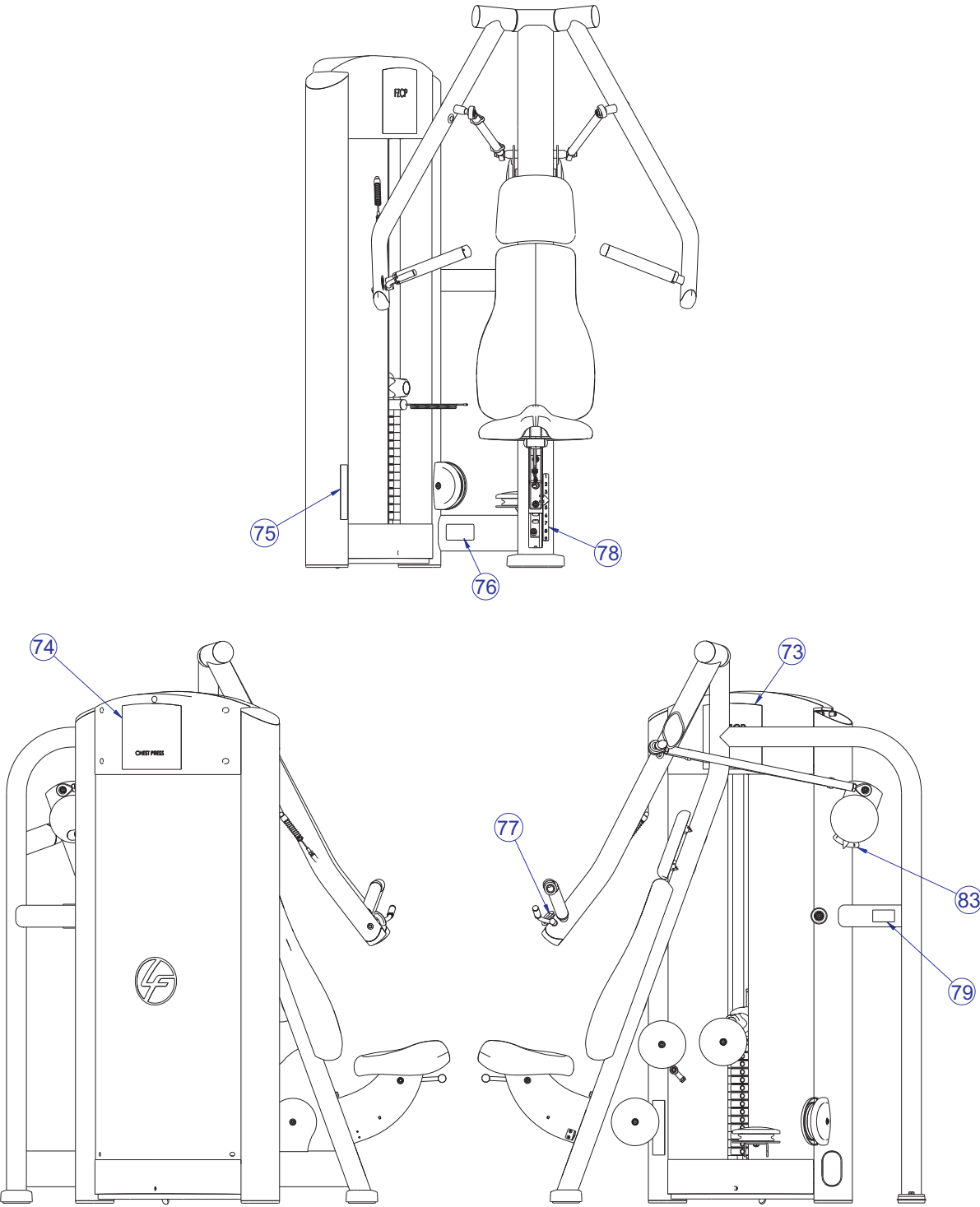
# FZCP CHEST PRESS COMPONENT ASSEMBLY



SEE PAGE 5 FOR LEGEND

# FZCP CHEST PRESS COMPONENT ASSEMBLY II

---

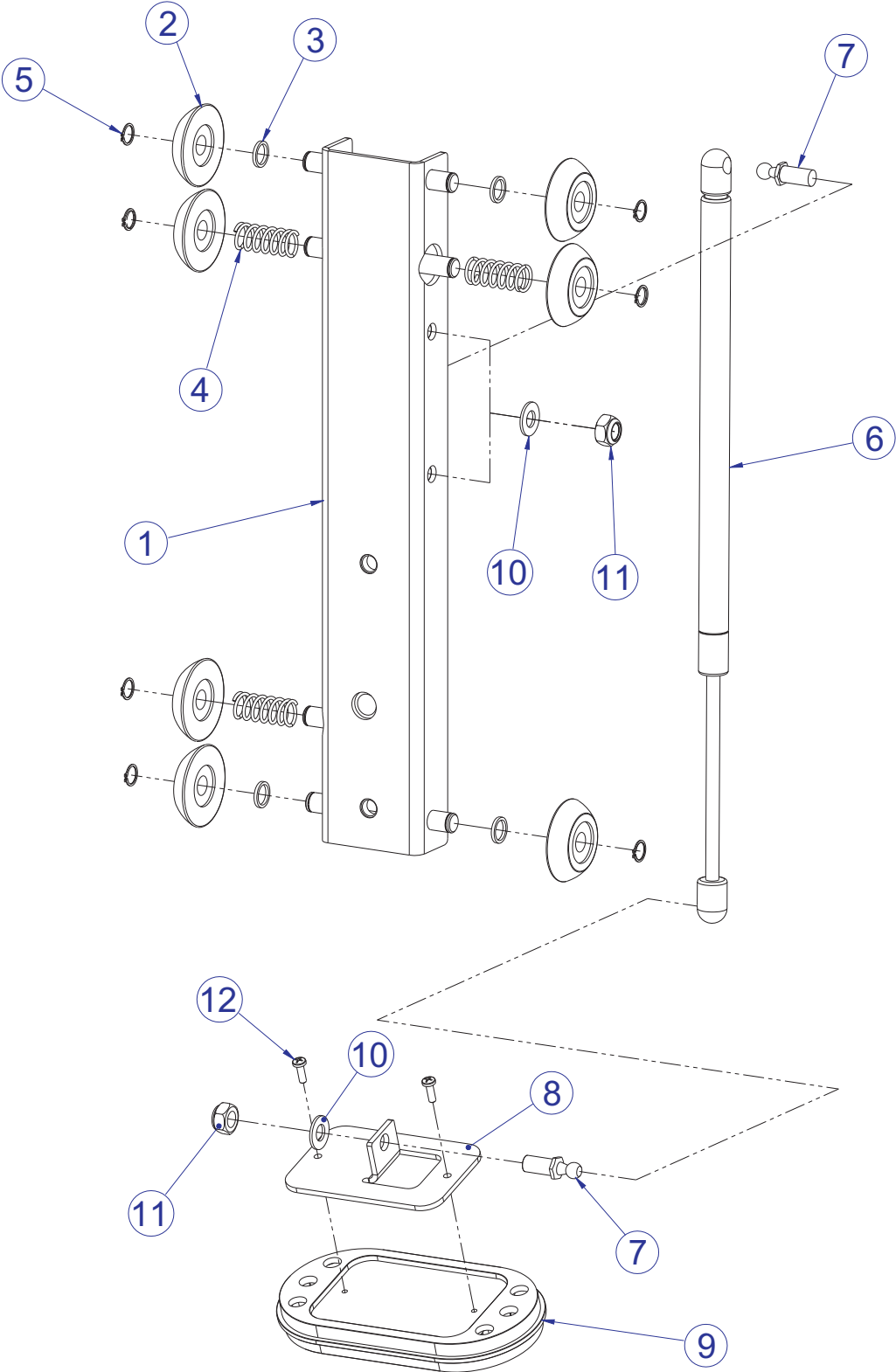


**SEE PAGE 5 FOR LEGEND**

# FZCP CHEST PRESS COMPONENT ASSEMBLY LEGEND

ITEM NO.	QTY.	PART NO.	DESCRIPTION				
1	1	7119101	WLDMT, FZCP FRAME	45	2	3232401	RING, RETAINING, EXTERNAL
2	2	3235802	GRIP, TBC	46	1	3239201	SPRING, EXT, .375 X .049 X 2.00
3	2	7333901	CAP, LARGE FLOV- END	47	1	7425295	BRKT, SEAT INDICATOR
4	2	7333801	CAP, SMALL FLOV- END	48	1	7385203	SPACER, .406 X .750 X .500
5	1	7420401	ASSY, MID TOWER-14	49	5	3236201	SCREW, M10 X1.5 20MM
6	22	3236601	WASHER, 3/8 SAE SS	50	2	3239101	SCREW, M5X10 PHL PAN TT ST
7	13	3236202	SCREW, M10 X1.5 25MM	51	2	7326201	CAP, D-TUBE - TOP
8	2	7318003	TIE ROD, 1 X 24	52	4	3238601	M10X1.5 THREADED INSERT (HEX)
9	4	3238701	ROD END, METRIC MALE	53	1	7423604	CABLE, FZCP
10	1	7340001	COVER, PULLEY- NOTCHED	54	2	3104908	.375" ID .500" OD BRONZE BUSHING
11	1	7317901	STOP, BUMPER	55	1	8002195	WLDMT, ADJ HANDLE SHDW GREY
12	1	7516801	COVER, PULLEY- SLOT	56	1	8002301	CAM, PUSH-PULL ADJ
13	5	3236902	NUT, M16 X 2 HEX JAM SS	57	1	7445501	ASSY, CABLE PUSH-PULL
14	1	7318201	PLATE, PULLEY	58	2	3104903	1.00" ID 1.25" OD BRONZ BUSHING
15	1	8102901	COVER, PULLEY-BOLTED FULL	59	1	7324902	SHAFT, TAPPED 1 DIA X 5.330
16	2	3236208	SCREW, M10 X1.5 55MM	60	2	7330001	SPACER, INTERNAL X .403
17	4	3236801	NUT, M10 HEX NYLOCK SS	61	1	7316502	SHAFT, 25MM X 5.250
18	7	3237801	PULLEY, 4.5" OD	62	1	3237901	ROD END, METRIC FEMALE
19	1	7334001	FOOT, 2.50 X 4.49 FLOV	63	2	7780001	CLIP, CABLE
20	1	7340201	COVER, FOOT - STRAIGHT	64	2	3242901	SCREW, SET BO
21	6	3235601	BEARING, 6205 BALL	65	1	3232405	RING, RETAINING, EXTERNAL
22	3	7330003	SPACER, INTERNAL X 3.265	66	1	3232403	RING, RETAINING, EXTERNAL
23	2	7330002	SPACER, INTERNAL X .653	67	1	3110013	ROLL PIN, 5/32 DIA X 5/8
24	2	3236701	WASHER, FENDER 3/8" ID X 1.5" OD	68	1	3232202	RING, BRI .875,5000-87,ST,PP,B
25	2	7308701	CAP, BEARING HOUSING	69	1	3209101	GROMMET
26	5	7335401	NUT, M10 X 1.5 SOCKET HEAD	70	1	7524901	HOUSING, INT PUSH-PULL ADJ
27	2	8094101	COVER, PULLEY-BOLTED PARTIAL	71	1	3236901	NUT, M10 X 1.5 JAM
28	5	7630101	RETAINER, CM/MJ, PULLEY	72	1	7681901	HANDLE, REMOTE
29	2	7662902	CAP, GRIP 1.50 OD	73	1	7507101	LABEL, FZCP PLACARD
30	2	7662802	RING, GRIP 1.50 OD	74	1	7507201	LABEL, FZAB PLACARD
31	4	3251204	SCREW, M10 X1.5 X 35MM HEX	75	1	7422004	LABEL, 2" ASTM WARN
32	1	72971XX	PAD, SEAT SADDLE	76	1	7571301	LABEL, SERIAL NUMBER
33	1	74743XX	PAD, HEAD REST	77	1	7524001	LABEL, ARROW
34	1	74741XX	PAD, LARGE BACK	78	1	7524501	LABEL, 1-9 STRAIGHT
35	4	7385201	SPACER, .406 X .750 X .250	79	1	7422003	LABEL, MOVING PARTS
36	1	7778001	ASSY, FZ ADJUSTER HANDLE	80	8	3251202	SCREW, M10 X1.5 X 25MM HEX
37	1	7330501	WLDMT, FZ SEAT SUPPORT	81	1	6757701	CLIP, CABLE 2-7/8 X 1 X 1
38	1	7120801	WLDMT, FZCP PIVOT ARM	82	4	3237403	PLUG, 1" HOLE
39	1	7332101	WLDMT, FZCP ADJ START	83	1	7523901	LABEL, 1-3 CURVED
40	1	7119701	WLDMT, FZCP PRESS ARM LH	84	1	7776501	SHAFT, .625 X .406 X 1.200
41	1	7119601	WLDMT, FZCP PRESS ARM RH	85	2	7776401	SPACER, FLANGE .406 X .495 X .81
42	1	7911101	ASSY, SEAT CARRIAGE	86	4	3254703	NUT, M10 X 1.5 HEX ZINC
43	1	7419601	COVER, FOOT-20 DEG.	87	4	3236207	SCREW, M10 X1.5 50MM
44	1	7407502	PIN, LINK	88	2	3236206	SCREW, M10 X1.5 45MM
				89	6	8104501	COVER, PULLEY-BOLTED NOTCHED

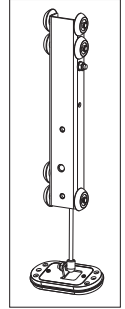
# FZCP CHEST PRESS SEAT CARRIAGE ASSEMBLY - 7911101



SEE PAGE 7 FOR LEGEND

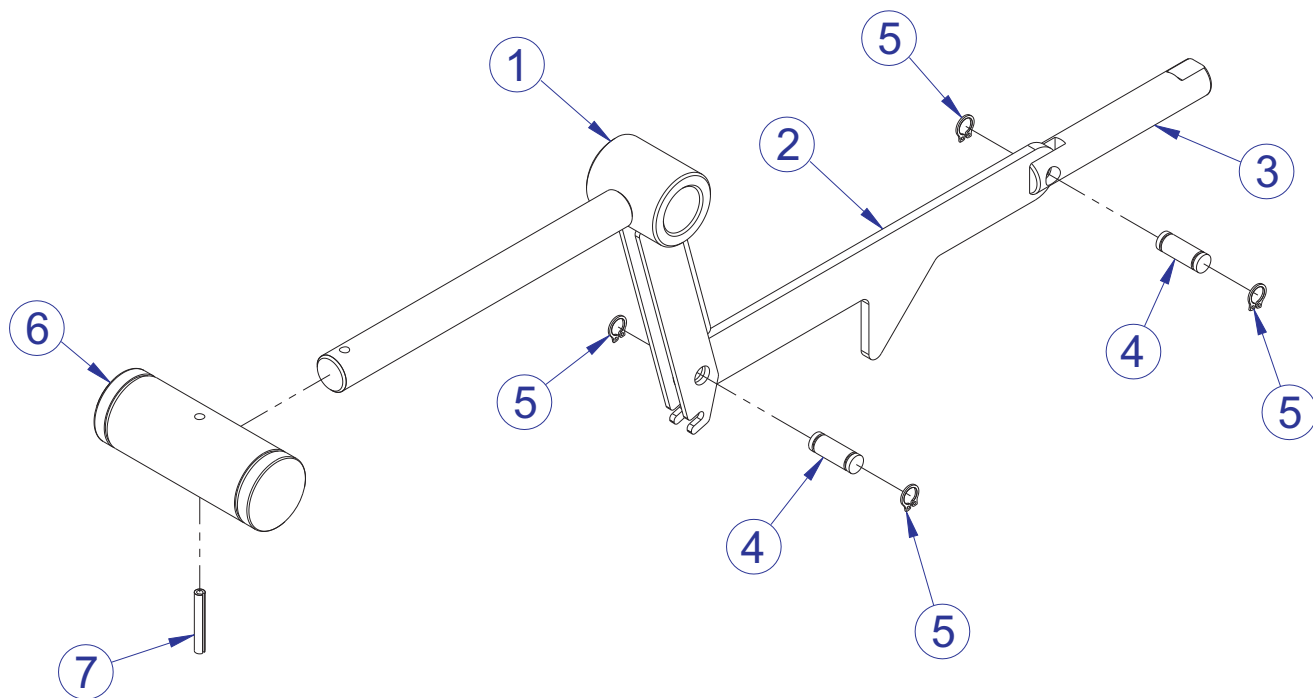
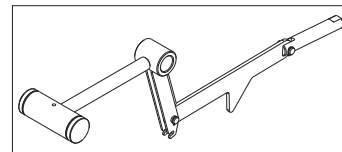
# FZCP CHEST PRESS

## SEAT CARRIAGE ASSEMBLY LEGEND



ITEM NO.	QTY.	PART NO.	DESCRIPTION
1	1	7911295	WLDMT, SEAT CARRIAGE SHDW GRAY
2	7	7889701	ROLLER, SEAT CARRIAGE
3	4	7911901	SPACER, .625 DIA X 16 GA.
4	3	7912001	SPRING, SEAT CARRIAGE
5	7	3232408	RING, BRE .443, 5100-46, ST,PP,B
6	1	3235703	SPRING, GAS 80N
7	2	7414301	STUD, M10 BALL END M10 X 1.5
8	1	7339401	BRACKET, GAS SPRING
9	1	7334001	FOOT, 2.50 X 4.49 FLOV
10	2	3236601	WASHER, 3/8 SAE SS
11	2	3236801	NUT, M10 HEX NYLOCK SS
12	2	3241201	M4 PHL PAN F ST ZN

# FZCP CHEST PRESS ADJUSTER HANDLE ASSEMBLY - 7778001

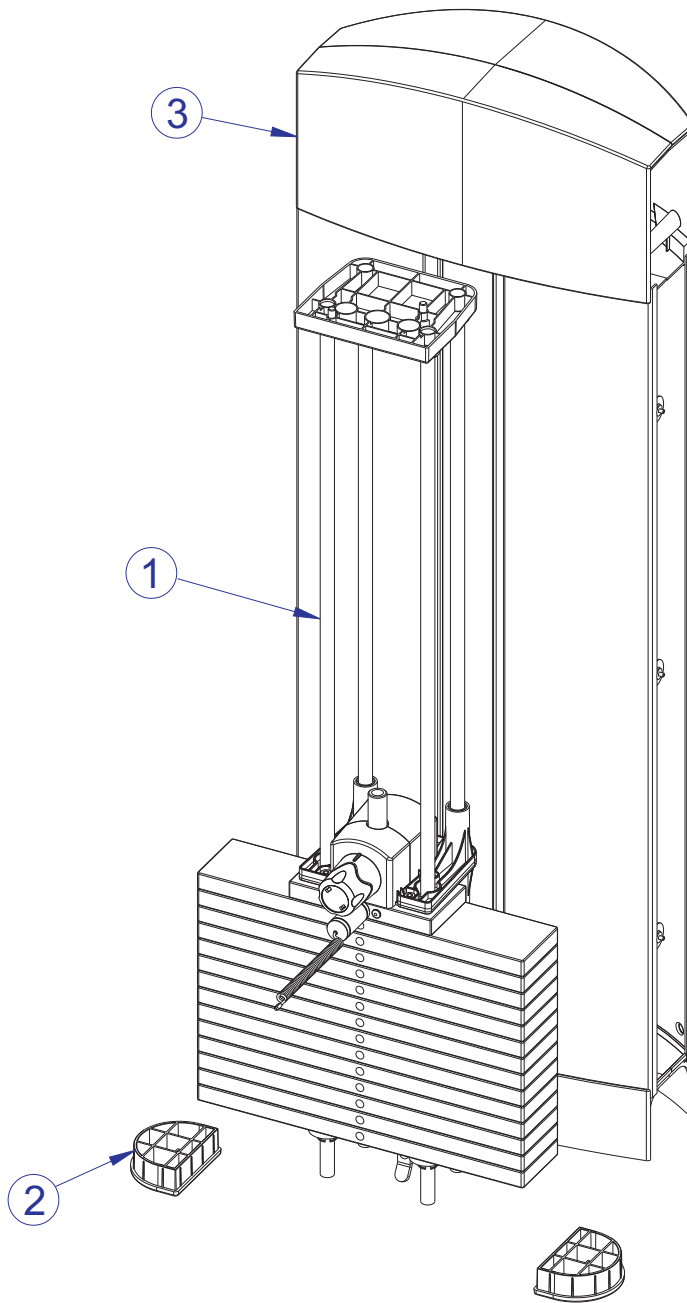


ITEM NO.	QTY.	PART NO.	DESCRIPTION
1	1	7777595	WLDMT, FZ SEAT ADJ HANDLE SHADOW GRAY
2	1	7331801	LINK, ADJUSTER
3	1	7331601	PIN, INDEX
4	2	7407501	PIN, LINK
5	4	3232401	RING, RETAINING, EXTERNAL
6	1	7287901	HANDLE, ADJUSTER
7	1	3110010	ROLL PIN, 1/8 X 7/8



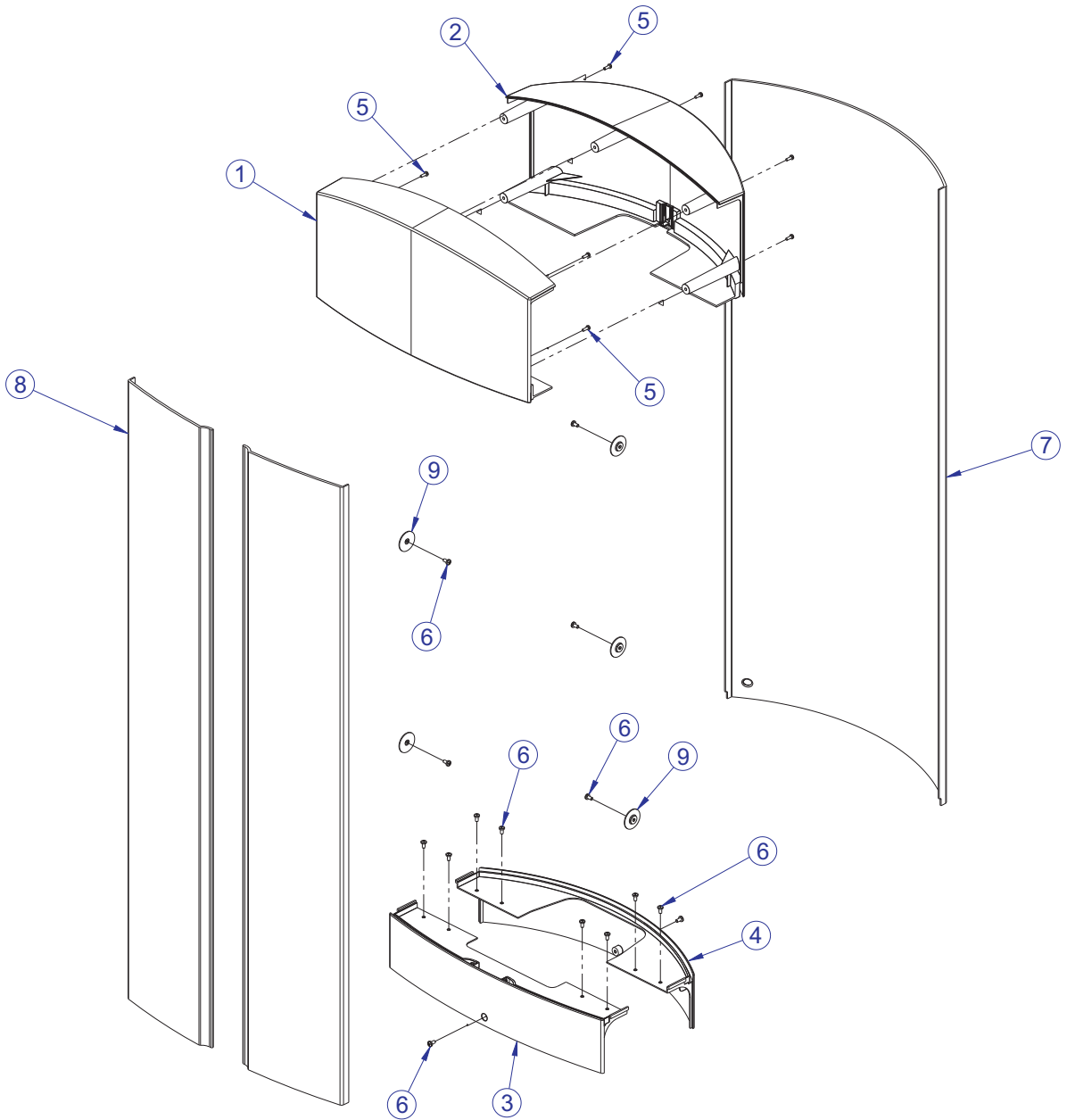
# FZCP CHEST PRESS MID-14 TOWER ASSEMBLY - 7420401

---



ITEM NO.	QTY.	PART NO.	DESCRIPTION
1	1	7420101	ASSY, WEIGHT STACK MID-14
2	2	7326301	CAP, D-TUBE-BTM
3	1	7419801	ASSY, TOWER PLASTICS-MID

# FZCP CHEST PRESS PLASTIC TOWER ASSEMBLY - 7419801



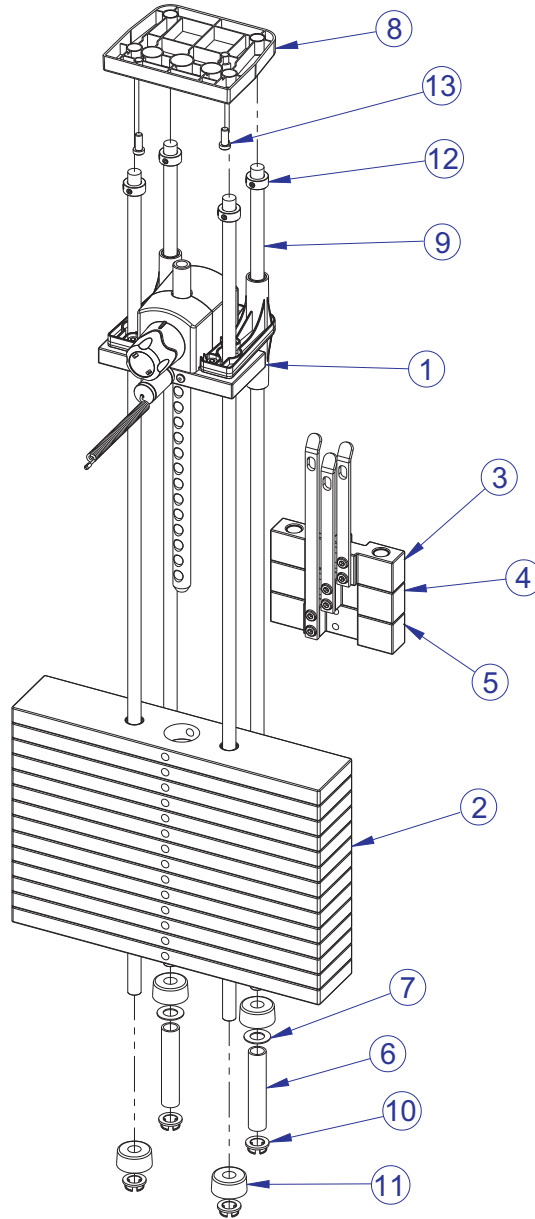
ITEM NO.	QTY.	PART NO.	DESCRIPTION
1	1	7318601	COVER, TOWER- TOP FRONT
2	1	7318701	COVER, TOWER- TOP REAR
3	1	7318801	COVER, TOWER- BOTTOM FRONT
4	1	7318901	COVER, TOWER- BOTTOM REAR
5	9	3236501	M4 X 0.7 PHL PAN MS ST ZN
6	16	3239101	SCREW, M5X10 PHL PAN TT ST
7	1	7765701	SHROUD, TOWER- REAR SHORT
8	2	7765601	SHROUD, TOWER- FRT SHORT RH
9	6	7583501	RETAINER, FZ SHROUD

# FZCP CHEST PRESS

## MID-14 WEIGHT STACK ASSEMBLY - 7420101

### WEIGHT STACK LABELS

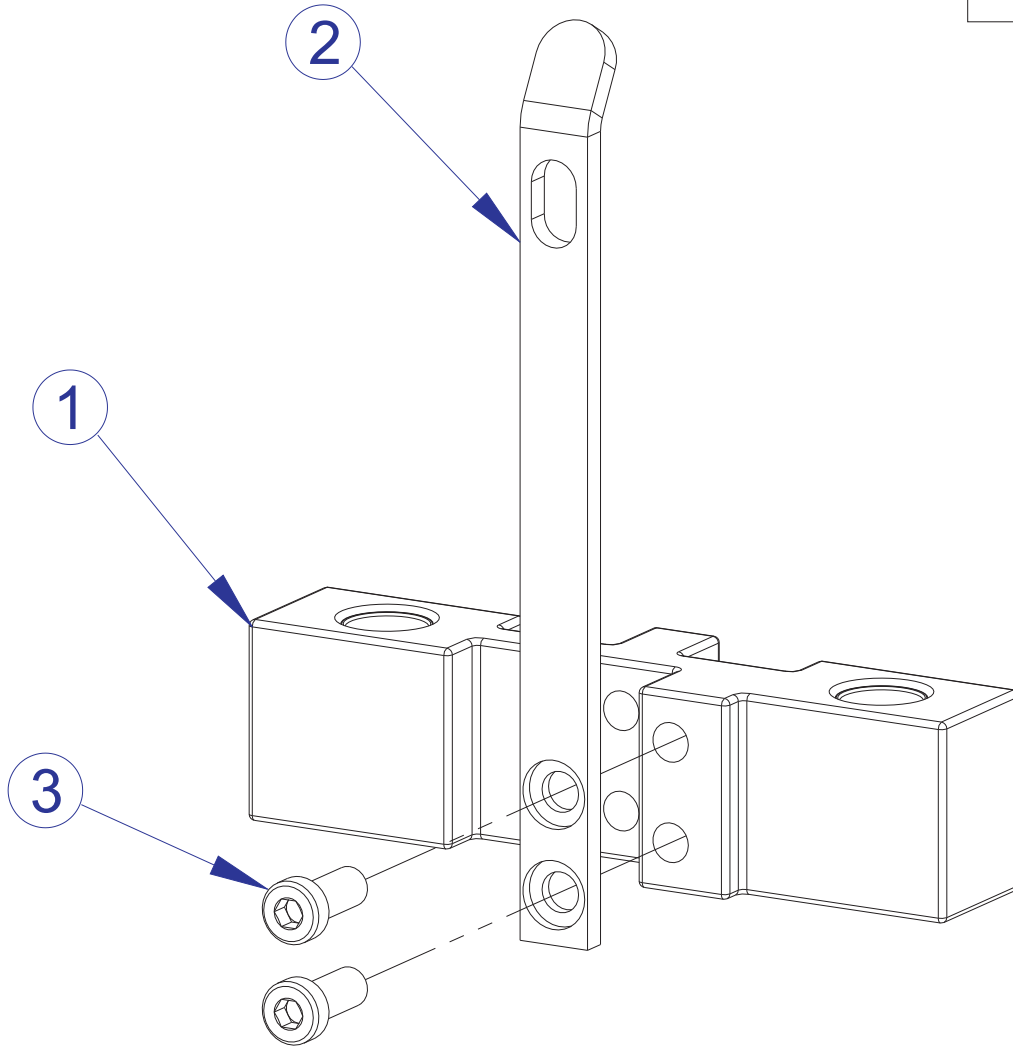
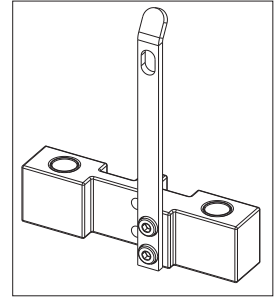
7927201	LABEL, 390 LB STACK
7927301	LABEL, 195 KG STACK



ITEM NO.	QTY.	PART NO.	DESCRIPTION
1	1	7350701	ASSY, HEAD PLATE (14)
2	14	7328401	WEIGHT PLATE, 20 LB
3	1	7327601	ASSY, INCREMENT WT-5LB
4	1	7327701	ASSY, INCREMENT WT-10LB
5	1	7327801	ASSY, INCREMENT WT-15LB
6	2	7328701	SPACER, INC WT STACK 14 PLT
7	2	7351001	SPACER, INC WT STACK
8	1	7621101	RETAINER, GUIDE ROD-TOP
9	4	7328602	GUIDE ROD, .75 OD SOLID X 53.50
10	4	7337901	BUSHING, GUIDE ROD
11	4	7352101	CUSHION, WEIGHT STACK
12	4	3103301	SHAFT COLLAR, 3/4" ID ZINC
13	2	3236202	M10 X 1.5 X 25 HXS SOC CS SS

# FZCP CHEST PRESS

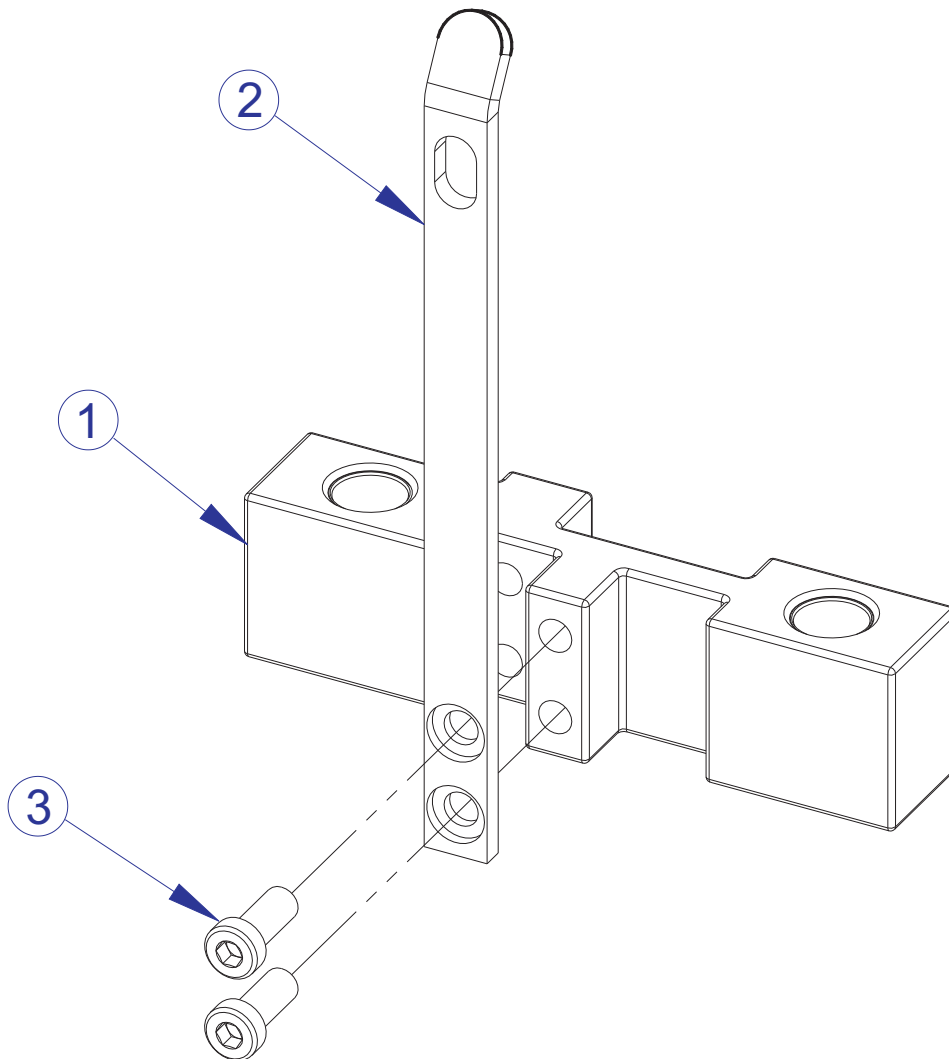
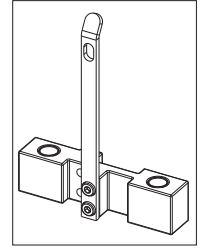
## 5 LB. INCREMENT WEIGHT ASSEMBLY - 7327601



ITEM NO.	QTY.	PART NO.	DESCRIPTION
1	1	7968501	ASSY, FZ INC WEIGHT 5LB
2	1	7328001	BRKT, INCREMENT WT - 5 LB
3	2	3236202	SCREW, M10 X1.5 25MM

# FZCP CHEST PRESS

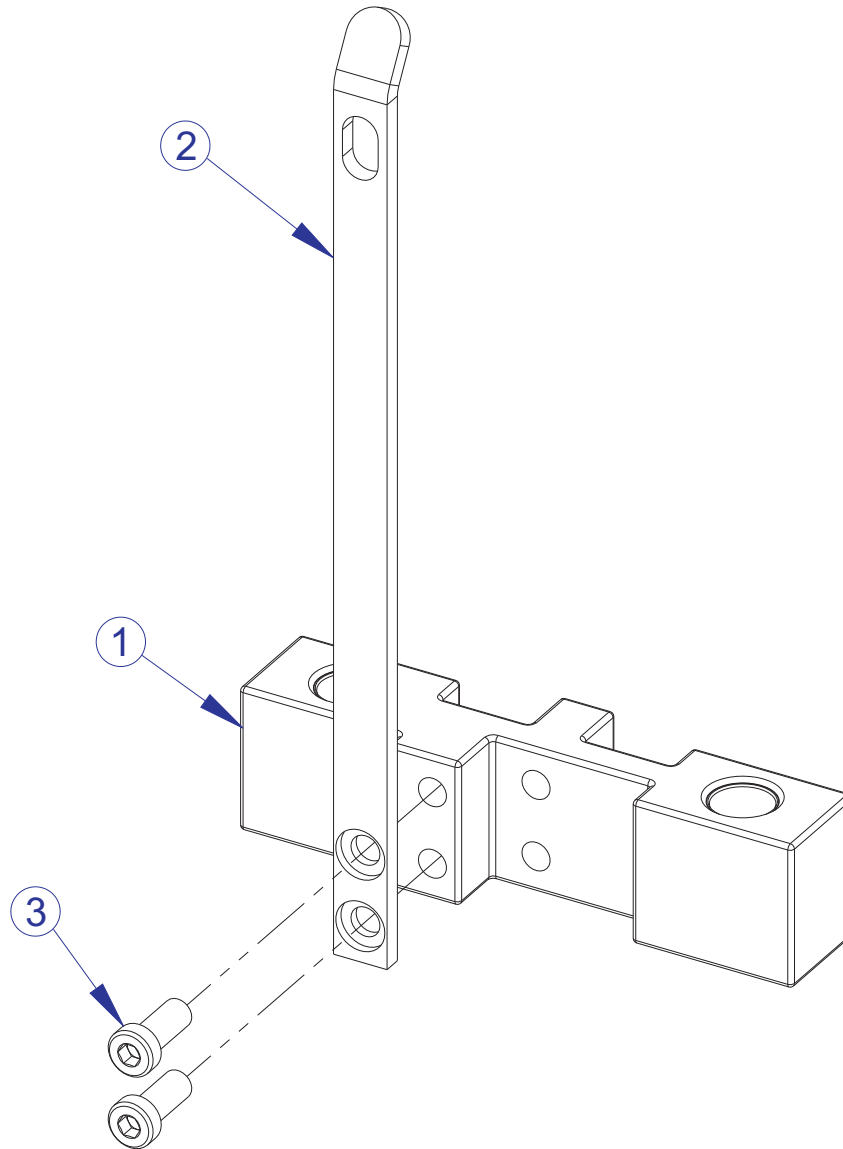
## 10 LB. INCREMENT WEIGHT ASSEMBLY - 7327701



ITEM NO.	QTY.	PART NO.	DESCRIPTION
1	1	7968501	ASSY, FZ INC WEIGHT 5LB
2	1	7328101	BRKT, INCREMENT WT - 10 LB
3	2	3236202	SCREW, M10 X1.5 25MM

# FZCP CHEST PRESS

## 15 LB. INCREMENT WEIGHT ASSEMBLY - 7327801

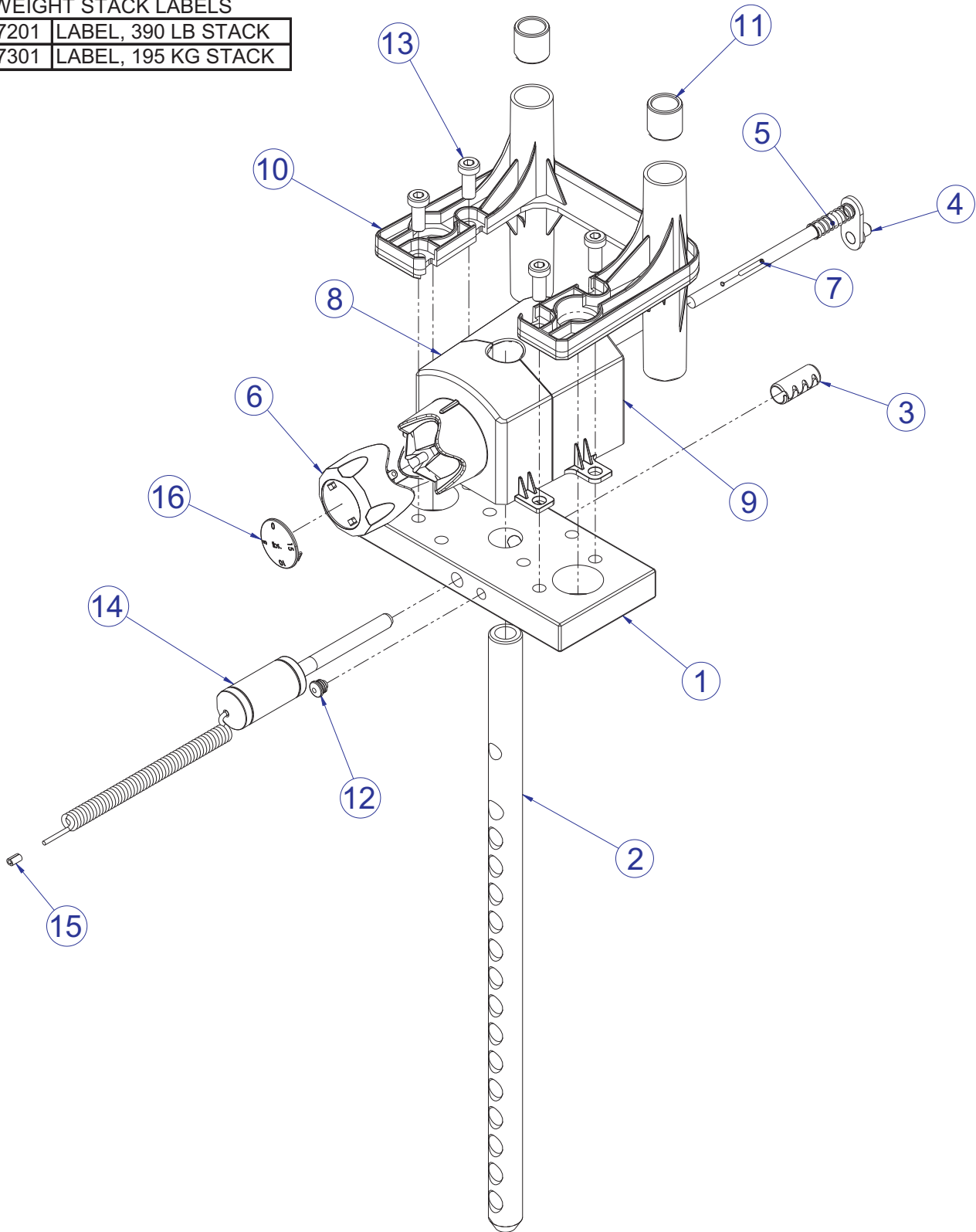


ITEM NO.	QTY.	PART NO.	DESCRIPTION
1	1	7968501	ASSY, FZ INC WEIGHT 5LB
2	1	7328201	BRKT, INCREMENT WT - 15 LB
3	2	3236202	SCREW, M10 X1.5 25MM

# FZCP CHEST PRESS HEAD PLATE ASSEMBLY - 7350701

## WEIGHT STACK LABELS

7927201	LABEL, 390 LB STACK
7927301	LABEL, 195 KG STACK



SEE PAGE 16 FOR LEGEND

# FZCP CHEST PRESS HEAD PLATE ASSEMBLY LEGEND

---

ITEM NO.	QTY.	PART NO.	DESCRIPTION
1	1	7326701	HEAD PLATE
2	1	7347801	STEM, 9 PLATE
3	1	3236001	BUSHING, SPRING PIN
4	1	7327201	WLDMT, INCREMENT WT PIN
5	1	8024501	SPRING, 1/2 OD X 1-1/2
6	1	7326101	KNOB, INC WT SELECTOR
7	1	3110008	ROLL PIN, 1/8 X 1-1/4
8	1	7326401	HOUSING, SELECTOR - FRONT
9	1	7326501	HOUSING, SELECTOR - REAR
10	1	7362101	STABILIZER, HEAD PLATE
11	4	7459601	BUSHING, HEAD PLT STABILIZER
12	1	7356501	PLUG, LANYARD ATTACHMENT
13	4	3236202	SCREW, M10 X1.5 25MM
14	1	7338101	ASSY, WT STACK SELECTOR PIN
15	1	7523601	CRIMP, CABLE
16	1	7398601	CAP, SELECTOR KNOB, LBS
	OR		
	1	7398701	CAP, SELECTOR KNOB, KG



# FZCP CHEST PRESS IMAGE

---



## Free Manuals Download Website

<http://myh66.com>

<http://usermanuals.us>

<http://www.somanuals.com>

<http://www.4manuals.cc>

<http://www.manual-lib.com>

<http://www.404manual.com>

<http://www.luxmanual.com>

<http://aubethermostatmanual.com>

Golf course search by state

<http://golfingnear.com>

Email search by domain

<http://emailbydomain.com>

Auto manuals search

<http://auto.somanuals.com>

TV manuals search

<http://tv.somanuals.com>