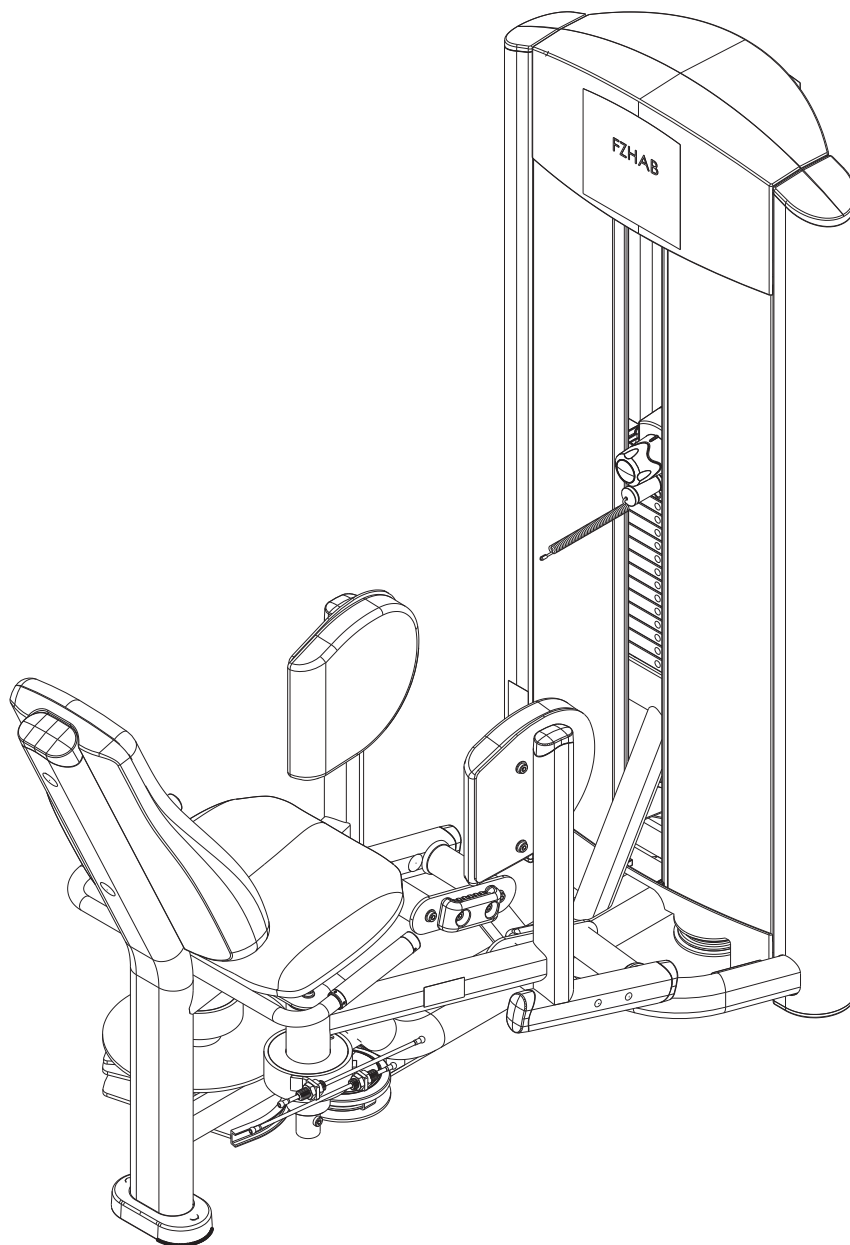




SIGNATURE SERIES
FZHAB HIP ABDUCTION

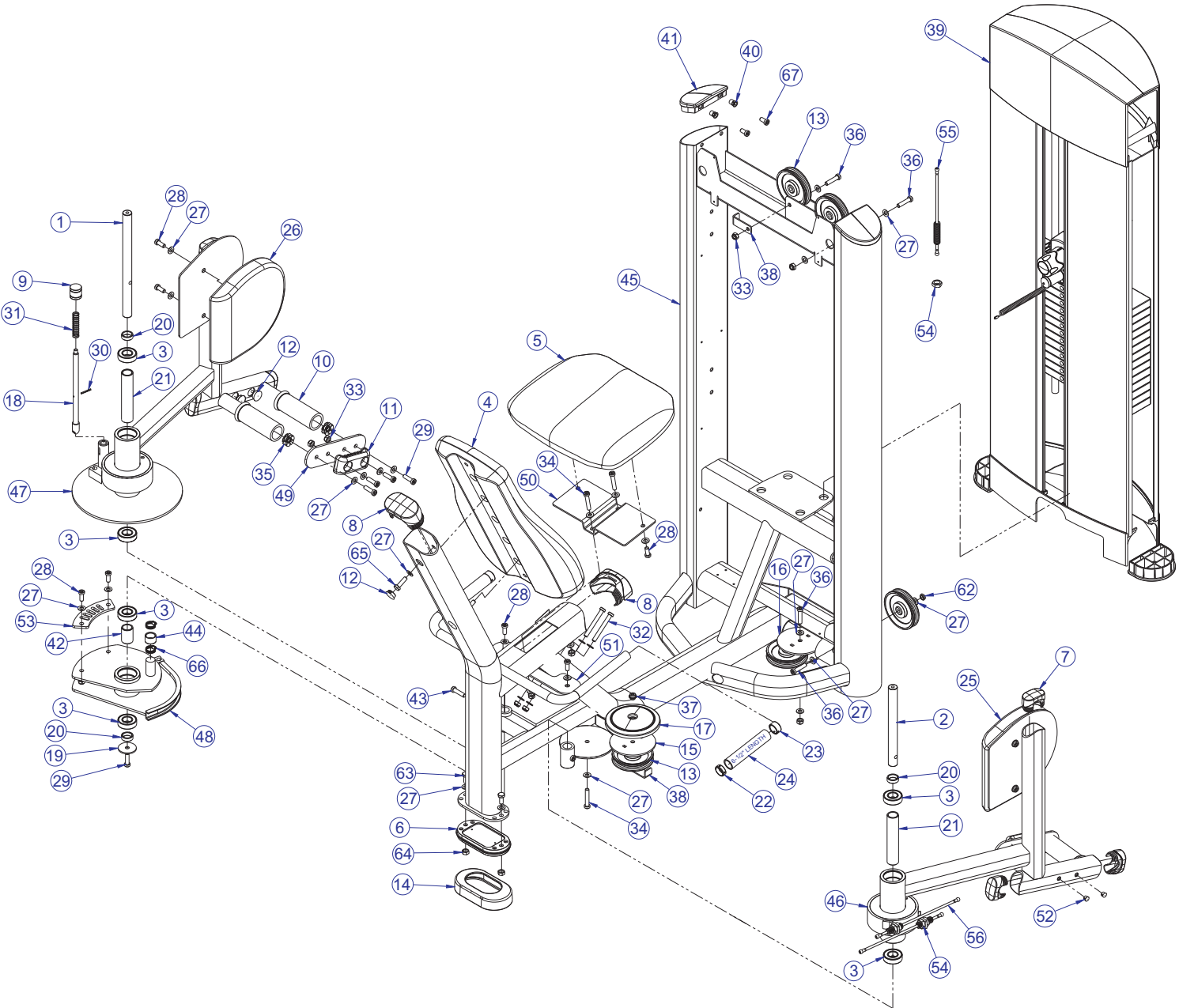


Customer Support Services
PARTS MANUAL

FZHAB HIP ABDUCTION CONTENTS

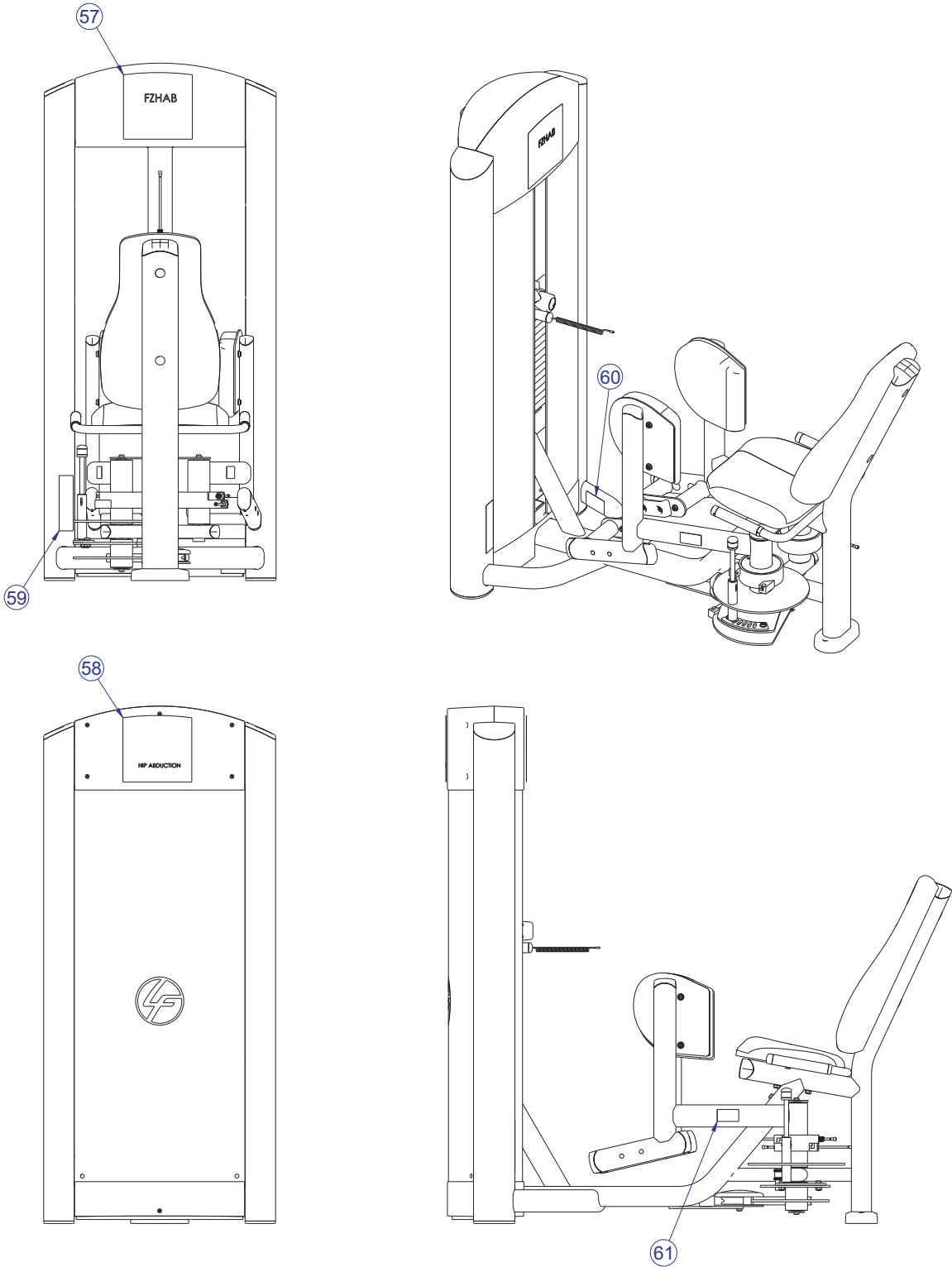
	PAGE
COMPONENT ASSEMBLY	3
COMPONENT ASSEMBLY II	4
COMPONENT ASSEMBLY LEGEND	5
MID-14 TOWER HAB/HAD ASSEMBLY	6
MID-14 TOWER HAB/HAD ASSEMBLY LEGEND	7
5 LB. INCREMENT WEIGHT ASSEMBLY	8
10 LB. INCREMENT WEIGHT ASSEMBLY	9
15 LB. INCREMENT WEIGHT ASSEMBLY	10
HEAD PLATE ASSEMBLY	11
HEAD PLATE ASSEMBLY LEGEND	12
IMAGE	13

FZHAB HIP ABDUCTION COMPONENT ASSEMBLY



SEE PAGE 5 FOR LEGEND

FZHAB HIP ABDUCTION COMPONENT ASSEMBLY II

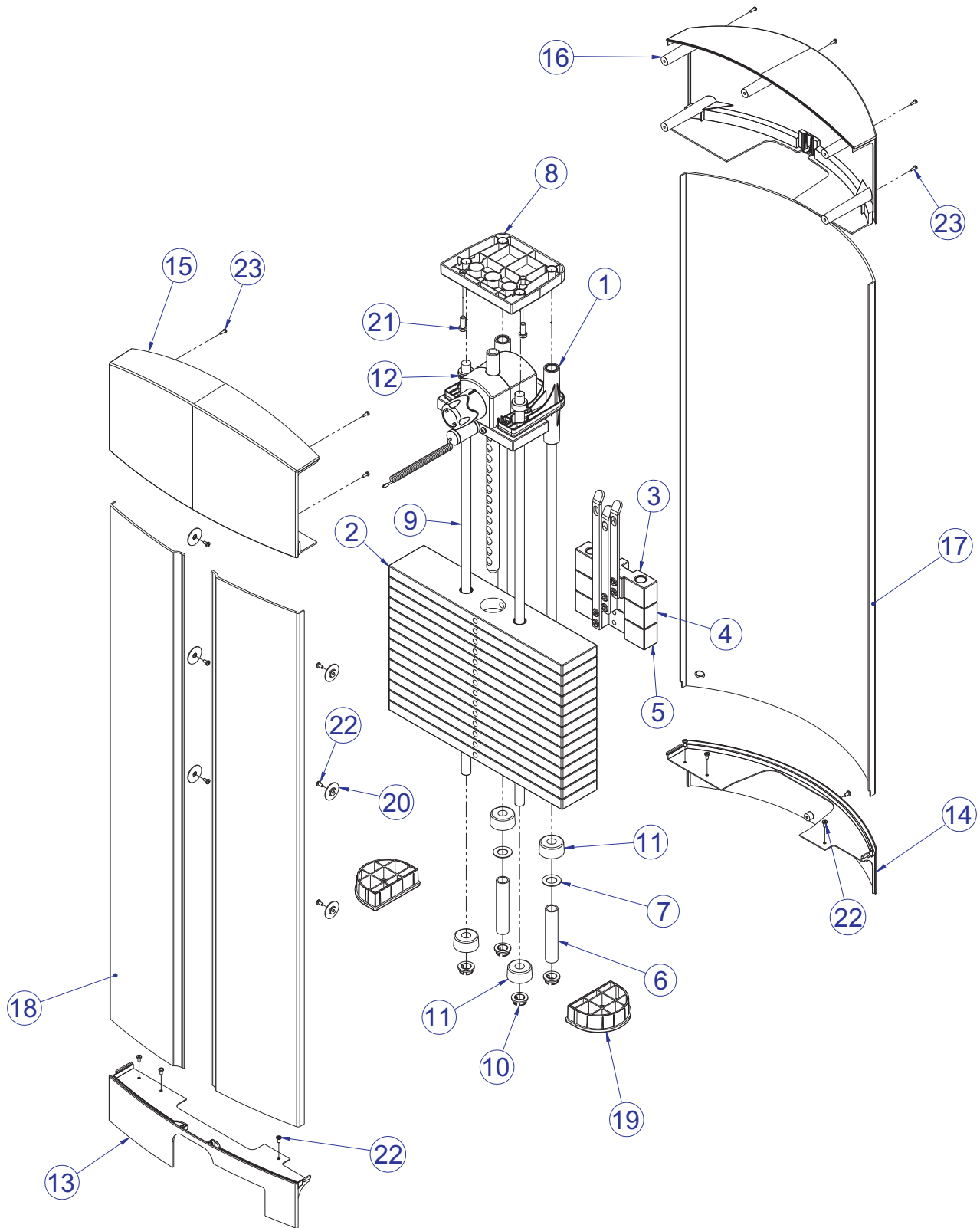


SEE PAGE 5 FOR LEGEND

FZHAB HIP ABDUCTION COMPONENT ASSEMBLY LEGEND

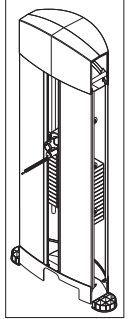
ITEM NO.	QTY.	PART NO.	DESCRIPTION				
1	1	7592001	SHAFT, FZ, 25MM	34	3	3236208	SCREW, M10 X1.5 55MM
2	1	7592101	SHAFT, FZ, 25MM X 10.12 LG.	35	4	7347301	NUT, SPIDER M10 X 1.5
3	6	3235601	BEARING, 6205 BALL	36	4	3236206	SCREW, M10 X1.5 45MM
4	1	74741XX	PAD, LARGE BACK	37	1	7335401	NUT, M10 X 1.5 SOCKET HEAD
5	1	72972XX	PAD, LARGE CHAIR	38	2	6757701	CLIP, CABLE 2-7/8 X 1 X 1
6	1	7334001	FOOT, 2.50 X 4.49 FLOW	39	1	7622101	ASSY, MID TOWER HAD/HAB-14
7	8	7333801	CAP, SMALL FLOW- END	40	4	3238601	M10X1.5 THREADED INSERT (HEX)
8	2	7333901	CAP, LARGE FLOW- END	41	2	7326201	CAP, D-TUBE - TOP
9	1	7424801	KNOB, POP PIN	42	1	7330006	SPACER, INTERNAL X 1.765
10	4	7606201	GRIP, USER ARM	43	2	3236205	SCREW, M10 X1.5 40MM
11	2	7352001	BUMPER, 2-1/8 X 4-5/8	44	1	7690101	BUMPER, SLEEVE - 1 INCH DIA
12	6	3237403	PLUG, 1" HOLE	45	1	7591301	WLDMT, FZ-HAD/HAB, FRAME
13	5	3237801	PULLEY, 4.5" OD	46	1	7609201	WLDMT, FZHAB,R-ARM
14	1	7340201	COVER, FOOT - STRAIGHT	47	1	7609301	WLDMT, FZHAB , L-ARM
15	1	7318201	PLATE, PULLEY	48	1	7609401	WLDMT, CAM FZHAB
16	1	7318295	PLATE, PULLEY	49	2	7609501	PLATE, FOOT,FZ HAD/HAB
17	1	8102901	COVER, PULLEY-BOLTED FULL	50	1	7593401	BRACKET, FZ, SEAT
18	1	7795202	PIN, SPRING RATCHET - LONG	51	1	7593501	BRACKET, FZ, SHAFT
19	1	7322301	PLATE, 1.97 OD X .44 ID 10GA	52	4	3237401	PLUG, 7/16" HOLE
20	3	7330001	SPACER, INTERNAL X .403	53	1	7625801	PLATE, ADJ.-FZHAB, CAM
21	2	7330005	SPACER, INTERNAL X 6.265	54	5	3236902	NUT, M16 X 2 HEX JAM SS
22	2	7662801	RING, GRIP 1.25 OD	55	1	7423722	CABLE, M16TS, BE
23	2	7662901	CAP, GRIP 1.25 OD	56	2	7573701	CABLE, PSHAD/HAB
24	2	3235801	GRIP, TBC	57	1	7655701	LABEL, FZHAB PLACARD
25	1	76265XX	PAD, FZHIP HAD/HAB-LH	58	1	7655601	LABEL, FZAB PLACARD
26	1	76266XX	PAD, HIP HAD/HAB-RH	59	1	7422004	LABEL, 2" ASTM WARN
27	38	3236601	WASHER, 3/8 SAE SS	60	1	7571301	LABEL, SERIAL NUMBER
28	10	3236202	SCREW, M10 X1.5 25MM	61	2	7422003	LABEL, MOVING PARTS
29	9	3236204	SCREW, M10 X1.5 35MM	62	1	3236901	NUT, M10 X 1.5 JAM
30	1	3110008	ROLL PIN, 1/8 X 1-1/4	63	2	3251202	SCREW, M10 X1.5 X 25MM HEX ZN
31	1	7351501	SPRING; PULL PIN LARGE	64	2	3254703	NUT, M10 X 1.5 HEX ZINC
32	2	3236214	SCREW, M10 X1.5 85MM	65	2	3251204	SCREW, M10 X1.5 X 35MM HEX ZN
33	13	3236801	NUT, M10 HEX NYLOCK SS	66	2	8016301	CLAMP, HOSE, ID .69-1.25
				67	4	3236201	SCREW, M10 X1.5 20MM

FZHAB HIP ABDUCTION MID-14 TOWER HAB/HAD ASSEMBLY - 7622101



SEE PAGE 7 FOR LEGEND

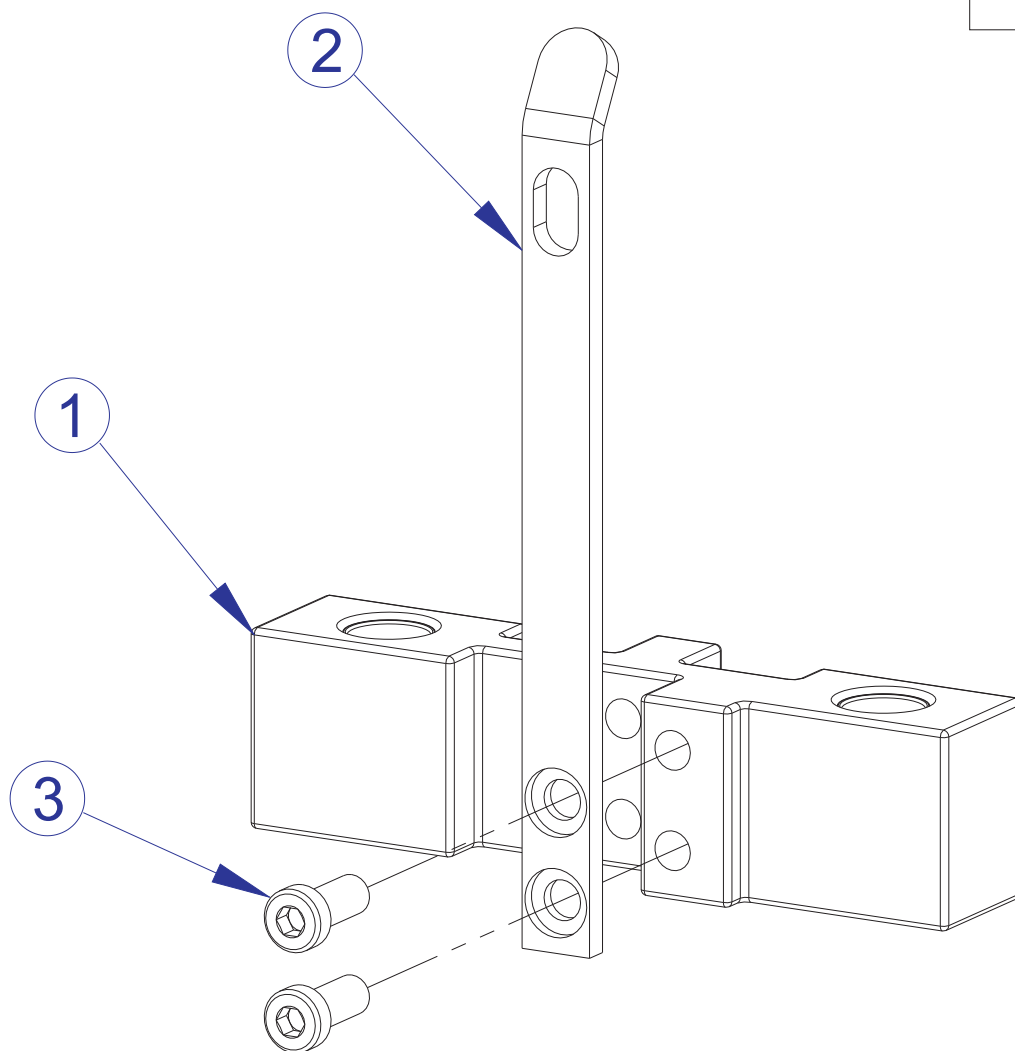
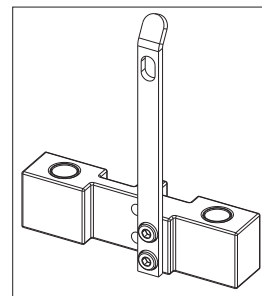
FZHAB HIP ABDUCTION MID-14 TOWER HAB/HAD ASSEMBLY LEGEND



ITEM NO.	QTY.	PART NO.	DESCRIPTION
1	1	7350701	ASSY, HEAD PLATE (14)
2	14	7328401	WEIGHT PLATE, 20 LB
3	1	7327601	ASSY, INCREMENT WT - 5LB
4	1	7327701	ASSY, INCREMENT WT - 10LB
5	1	7327801	ASSY, INCREMENT WT - 15LB
6	2	7328701	SPACER, INC WT STACK - 14 PLT
7	2	7351001	SPACER, INC WT STACK
8	1	7621101	RETAINER, GUIDE ROD - TOP
9	4	7328610	GUIDE ROD, .75 OD SOLID 39.75
10	4	7337901	BUSHING, GUIDE ROD
11	4	7352101	CUSHION, WEIGHT STACK
12	4	3103301	SHAFT COLLAR, 3/4 I.D. ZINC
13	1	7592301	COVER, TOWER- BOTTOM FRONT HAD
14	1	7592401	COVER, TOWER- BOTTOM REAR HAD
15	1	7318601	COVER, TOWER- TOP FRONT
16	1	7318701	COVER, TOWER- TOP REAR
17	1	7765701	SHROUD, TOWER- REAR SHORT
18	2	7765601	SHROUD, TOWER- FRT SHORT RH
19	2	7326301	CAP, D-TUBE - BOTTOM
20	6	7583501	RETAINER, FZ SHROUD
21	2	3236202	SCREW, M10 X1.5 25MM
22	13	3239101	SCREW, M5X10 PHL PAN TT ST
23	9	3236501	M4 X 0.7 PHL PAN MS ST ZN

FZHAB HIP ABDUCTION

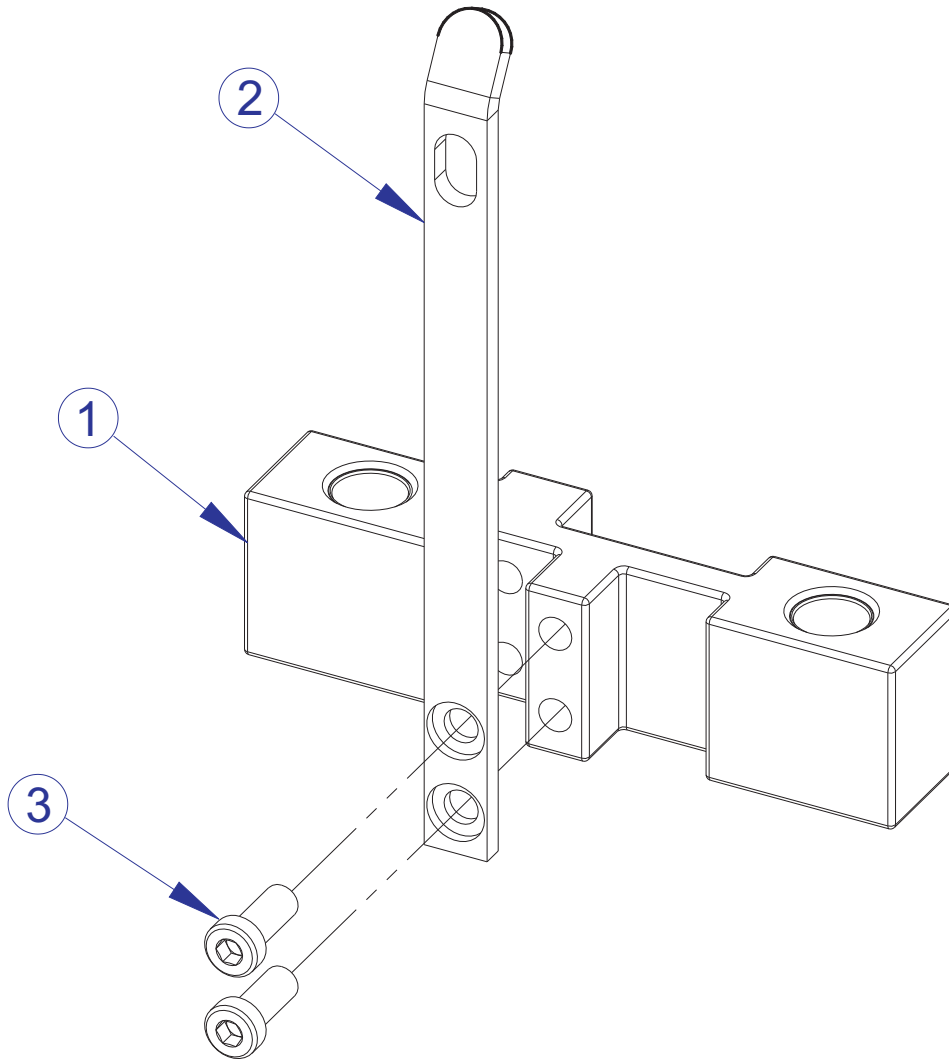
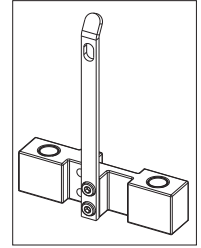
5 LB. INCREMENT WEIGHT ASSEMBLY - 7327601



ITEM NO.	QTY.	PART NO.	DESCRIPTION
1	1	7968501	ASSY, FZ INC WEIGHT 5LB
2	1	7328001	BRKT, INCREMENT WT - 5 LB
3	2	3236202	SCREW, M10 X1.5 25MM

FZHAB HIP ABDUCTION

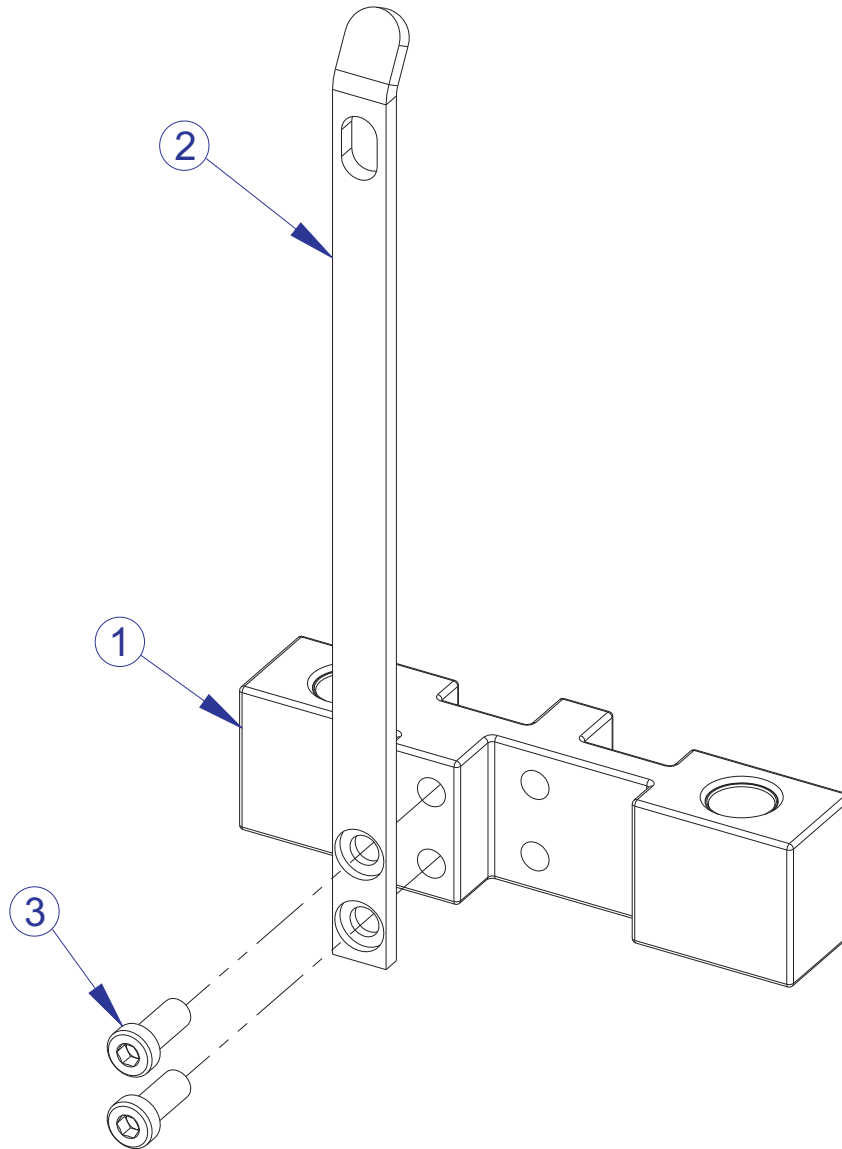
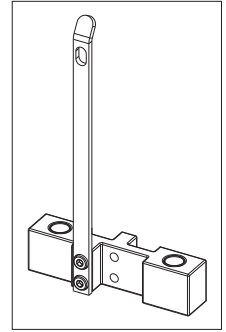
10 LB. INCREMENT WEIGHT ASSEMBLY - 7327701



ITEM NO.	QTY.	PART NO.	DESCRIPTION
1	1	7968501	ASSY, FZ INC WEIGHT 5LB
2	1	7328101	BRKT, INCREMENT WT - 10 LB
3	2	3236202	SCREW, M10 X1.5 25MM

FZHAB HIP ABDUCTION

15 LB. INCREMENT WEIGHT ASSEMBLY - 7327801

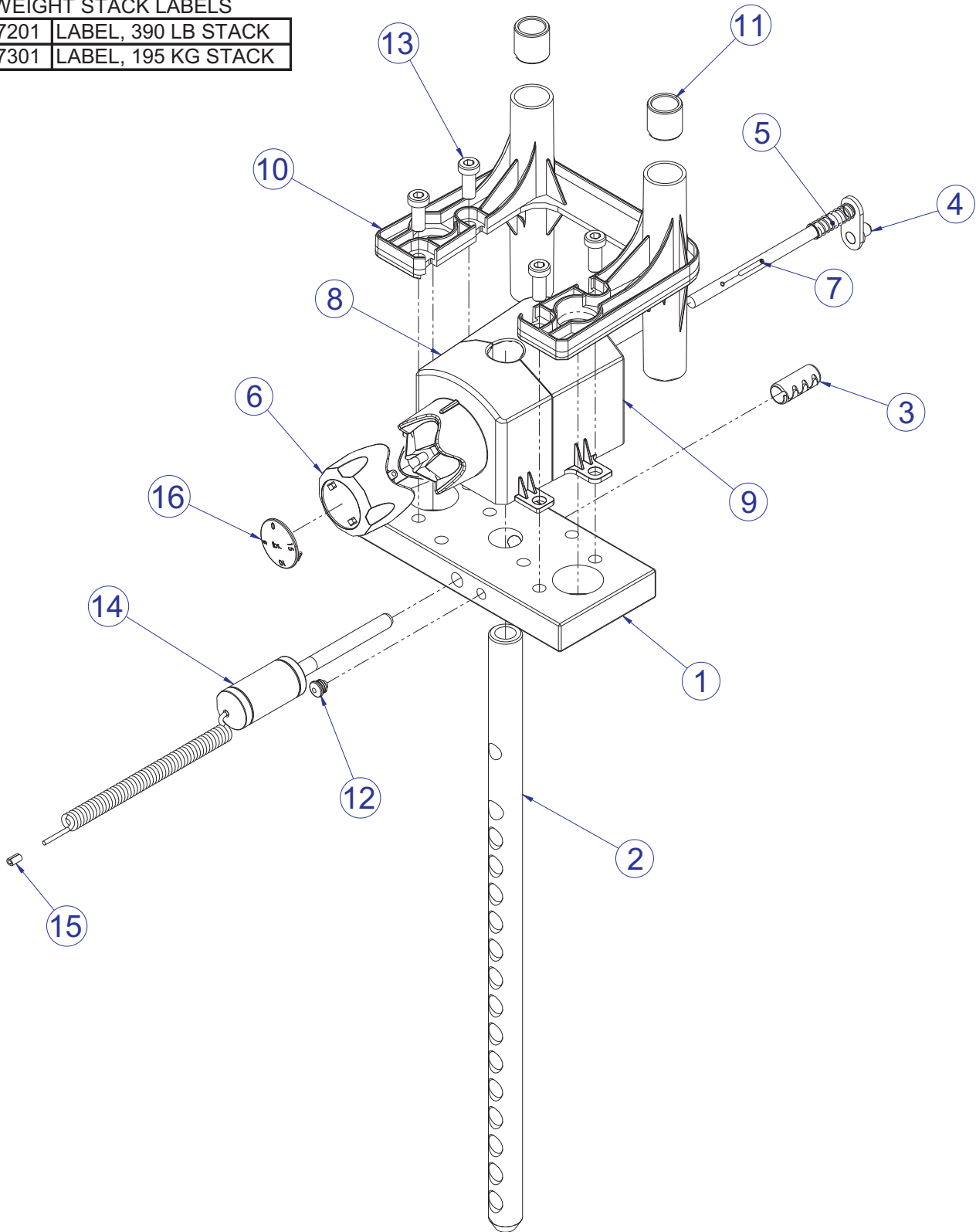


ITEM NO.	QTY.	PART NO.	DESCRIPTION
1	1	7968501	ASSY, FZ INC WEIGHT 5LB
2	1	7328201	BRKT, INCREMENT WT - 15 LB
3	2	3236202	SCREW, M10 X1.5 25MM

FZHAB HIP ABDUCTION HEAD PLATE ASSEMBLY - 7350701

WEIGHT STACK LABELS

7927201	LABEL, 390 LB STACK
7927301	LABEL, 195 KG STACK



SEE PAGE 12 FOR LEGEND

FZHAB HIP ABDUCTION HEAD PLATE ASSEMBLY LEGEND

ITEM NO.	QTY.	PART NO.	DESCRIPTION
1	1	7326701	HEAD PLATE
2	1	7347801	STEM, 9 PLATE
3	1	3236001	BUSHING, SPRING PIN
4	1	7327201	WLDMT, INCREMENT WT PIN
5	1	8024501	SPRING, 1/2 OD X 1-1/2
6	1	7326101	KNOB, INC WT SELECTOR
7	1	3110008	ROLL PIN, 1/8 X 1-1/4
8	1	7326401	HOUSING, SELECTOR - FRONT
9	1	7326501	HOUSING, SELECTOR - REAR
10	1	7362101	STABILIZER, HEAD PLATE
11	4	7459601	BUSHING, HEAD PLT STABILIZER
12	1	7356501	PLUG, LANYARD ATTACHMENT
13	4	3236202	SCREW, M10 X1.5 25MM
14	1	7338101	ASSY, WT STACK SELECTOR PIN
15	1	7523601	CRIMP, CABLE
16	1	7398601	CAP, SELECTOR KNOB, LBS
	OR		
	1	7398701	CAP, SELECTOR KNOB, KG

FZHAB HIP ABDUCTION IMAGE



Free Manuals Download Website

<http://myh66.com>

<http://usermanuals.us>

<http://www.somanuals.com>

<http://www.4manuals.cc>

<http://www.manual-lib.com>

<http://www.404manual.com>

<http://www.luxmanual.com>

<http://aubethermostatmanual.com>

Golf course search by state

<http://golfingnear.com>

Email search by domain

<http://emailbydomain.com>

Auto manuals search

<http://auto.somanuals.com>

TV manuals search

<http://tv.somanuals.com>