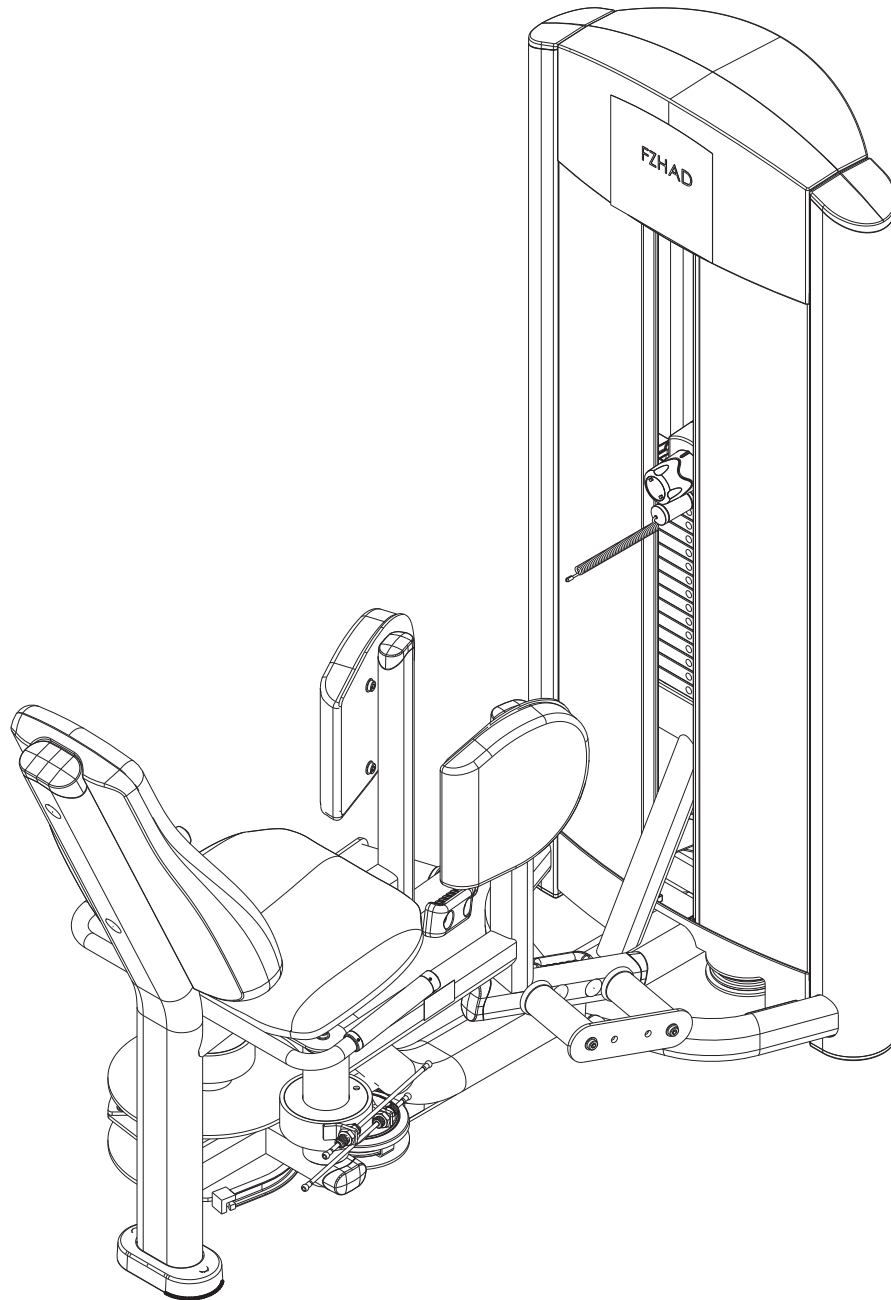




SIGNATURE SERIES  
FZHAD HIP ADDUCTION



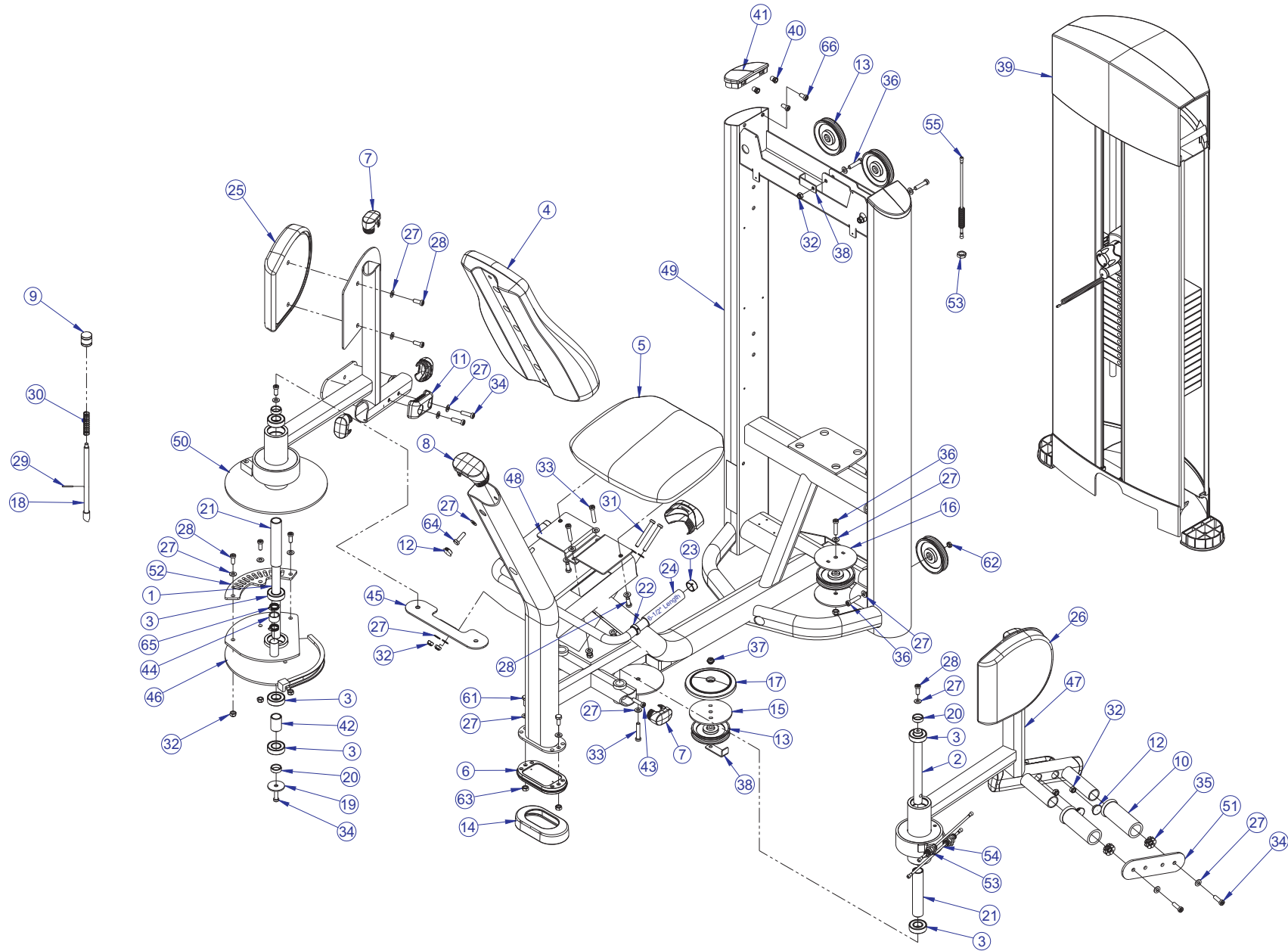
Customer Support Services  
**PARTS MANUAL**

# FZHAD HIP ADDUCTION CONTENTS

---

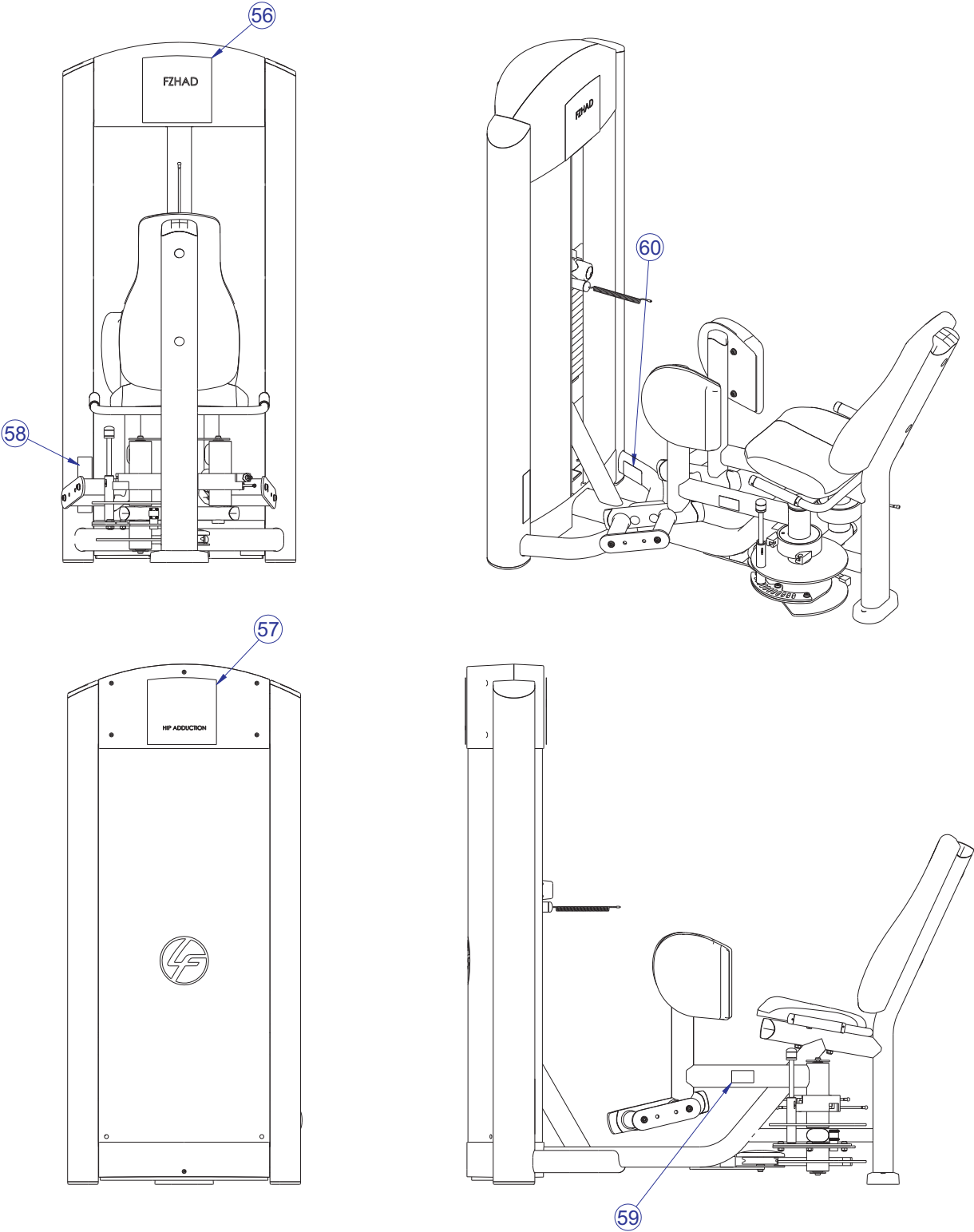
	PAGE
COMPONENT ASSEMBLY	3
COMPONENT ASSEMBLY II	4
COMPONENT ASSEMBLY LEGEND	5
MID-14 TOWER HAB/HAD ASSEMBLY	6
MID-14 TOWER HAB/HAD ASSEMBLY LEGEND	7
5 LB. INCREMENT WEIGHT ASSEMBLY	8
10 LB. INCREMENT WEIGHT ASSEMBLY	9
15 LB. INCREMENT WEIGHT ASSEMBLY	10
HEAD PLATE ASSEMBLY	11
HEAD PLATE ASSEMBLY LEGEND	12
IMAGE	13

# FZHAD HIP ADDUCTION COMPONENT ASSEMBLY



SEE PAGE 5 FOR LEGEND

# FZHAD HIP ADDUCTION COMPONENT ASSEMBLY II

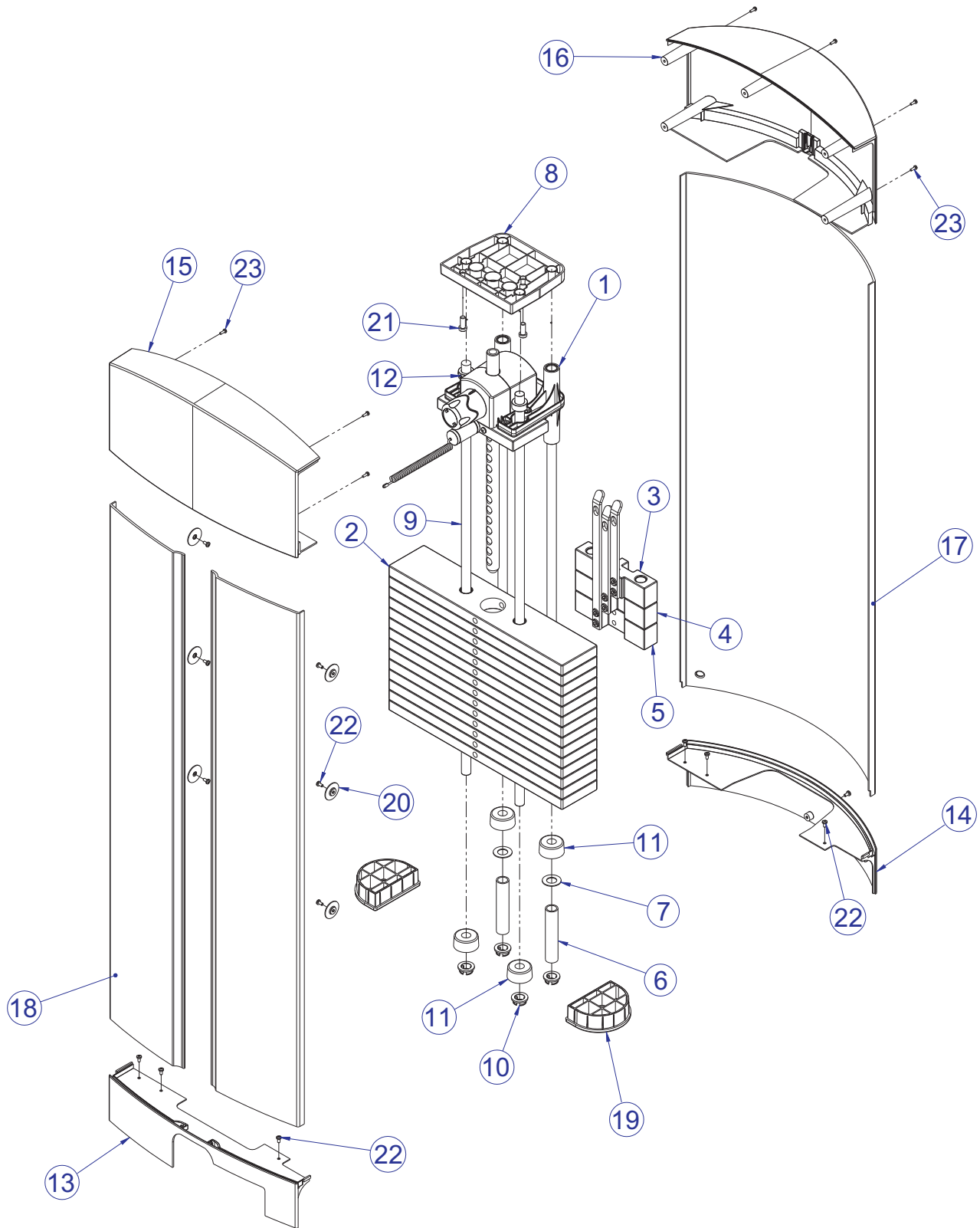


**SEE PAGE 5 FOR LEGEND**

# FZHAD HIP ADDUCTION COMPONENT ASSEMBLY LEGEND

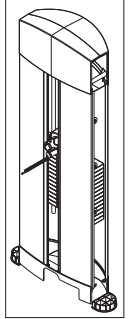
ITEM NO.	QTY.	PART NO.	DESCRIPTION	ITEM NO.	QTY.	PART NO.	DESCRIPTION
1	1	7592001	SHAFT, FZ, 25MM	34	9	3236204	SCREW, M10 X1.5 35MM
2	1	7592101	SHAFT, FZ, 25MM X 10.12 LG.	35	4	7347301	NUT, SPIDER M10 X 1.5
3	6	3235601	BEARING, 6205 BALL	36	4	3236206	SCREW, M10 X1.5 45MM
4	1	74741XX	PAD, LARGE BACK	37	1	7335401	NUT, M10 X 1.5 SOCKET HEAD
5	1	72972XX	PAD, LARGE CHAIR	38	2	6757701	CLIP, CABLE 2-7/8 X 1 X 1
6	1	7334001	FOOT, 2.50 X 4.49 FLOW	39	1	7622101	ASSY, MID TOWER HAD/HAB-14
7	8	7333801	CAP, SMALL FLOW- END	40	4	3238601	M10X1.5 THREADED INSERT (HEX)
8	2	7333901	CAP, LARGE FLOW- END	41	2	7326201	CAP, D-TUBE - TOP
9	1	7424801	KNOB, POP PIN	42	1	7330006	SPACER, INTERNAL X 1.765
10	4	7606201	GRIP, USER ARM	43	2	3236205	SCREW, M10 X1.5 40MM
11	2	7352001	BUMPER, 2-1/8 X 4-5/8	44	1	7690101	BUMPER, SLEEVE - 1 INCH DIA
12	6	3237403	PLUG, 1" HOLE	45	1	7593501	BRACKET, FZ, SHAFT
13	5	3237801	PULLEY, 4.5" OD	46	1	7570001	WLDMT, CAM FZHAD
14	1	7340201	COVER, FOOT - STRAIGHT	47	1	7567701	WLDMT, FZ HAD, PIVOT LEG - RT
15	1	7318201	PLATE, PULLEY	48	1	7593401	BRACKET, FZ, SEAT
16	1	7318295	PLATE, PULLEY	49	1	7591301	WLDMT, FZ-HAD/HAB, FRAME
17	1	8102901	COVER, PULLEY-BOLTED FULL	50	1	7567601	WLDMT, FZHAD, PIVOT LEG-LF
18	1	7795202	PIN, SPRING RATCHET - LONG	51	2	7609501	PLATE, FOOT,FZ HAD/HAB
19	1	7322301	PLATE, 1.97 OD X .44 ID 10GA	52	1	7748501	PLATE, FZHAD ADJUSTER - CAM
20	3	7330001	SPACER, INTERNAL X .403	53	5	3236902	NUT, M16 X 2 HEX JAM SS
21	2	7330005	SPACER, INTERNAL X 6.265	54	2	7573701	CABLE, PSHAD/HAB
22	2	7662801	RING, GRIP 1.25 OD	55	1	7423720	CABLE, FZHAD 139
23	2	7662901	CAP, GRIP 1.25 OD	56	1	7655501	LABEL, FZHAD PLACARD
24	2	3235801	GRIP, TBC	57	1	7655401	LABEL, FZAB PLACARD
25	1	76265XX	PAD, FZHIP HAD/HAB-LH	58	1	7422004	LABEL, 2" ASTM WARN
26	1	76266XX	PAD, HIP HAD/HAB-RH	59	2	7422003	LABEL, MOVING PARTS
27	39	3236601	WASHER, 3/8 SAE SS	60	1	7571301	LABEL, SERIAL NUMBER
28	11	3236202	SCREW, M10 X1.5 25MM	61	2	3251202	SCREW, M10 X1.5 X 25MM HEX ZN
29	1	3110008	ROLL PIN, 1/8 X 1-1/4	62	1	3236901	NUT, M10 X 1.5 JAM
30	1	7351501	SPRING; PULL PIN LARGE	63	2	3254703	NUT, M10 X 1.5 HEX ZINC
31	2	3236214	SCREW, M10 X1.5 85MM	64	2	3251204	SCREW, M10 X1.5 X 35MM HEX ZN
32	14	3236801	NUT, M10 HEX NYLOCK SS	65	2	8016301	CLAMP, HOSE, ID .69-1.25
33	3	3236208	SCREW, M10 X1.5 55MM	66	4	3236201	SCREW, M10 X1.5 20MM

# FZHAD HIP ADDUCTION MID-14 TOWER HAB/HAD ASSEMBLY - 7622101



SEE PAGE 7 FOR LEGEND

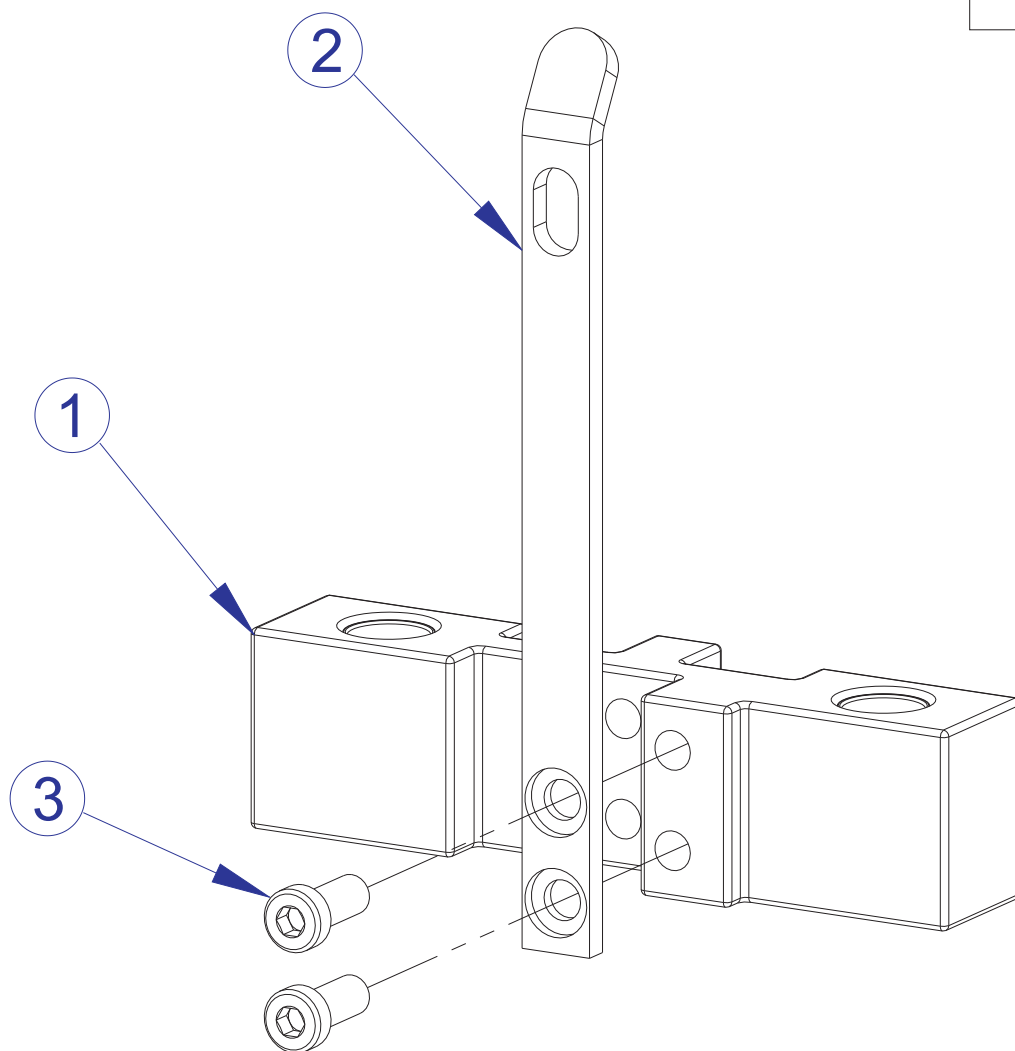
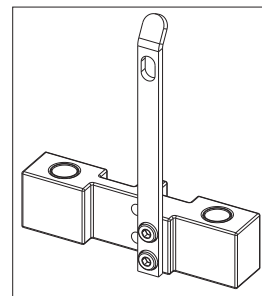
# FZHAD HIP ADDUCTION MID-14 TOWER HAB/HAD ASSEMBLY LEGEND



ITEM NO.	QTY.	PART NO.	DESCRIPTION
1	1	7350701	ASSY, HEAD PLATE (14)
2	14	7328401	WEIGHT PLATE, 20 LB
3	1	7327601	ASSY, INCREMENT WT - 5LB
4	1	7327701	ASSY, INCREMENT WT - 10LB
5	1	7327801	ASSY, INCREMENT WT - 15LB
6	2	7328701	SPACER, INC WT STACK - 14 PLT
7	2	7351001	SPACER, INC WT STACK
8	1	7621101	RETAINER, GUIDE ROD - TOP
9	4	7328610	GUIDE ROD, .75 OD SOLID 39.75
10	4	7337901	BUSHING, GUIDE ROD
11	4	7352101	CUSHION, WEIGHT STACK
12	4	3103301	SHAFT COLLAR, 3/4 I.D. ZINC
13	1	7592301	COVER, TOWER- BOTTOM FRONT HAD
14	1	7592401	COVER, TOWER- BOTTOM REAR HAD
15	1	7318601	COVER, TOWER- TOP FRONT
16	1	7318701	COVER, TOWER- TOP REAR
17	1	7765701	SHROUD, TOWER- REAR SHORT
18	2	7765601	SHROUD, TOWER- FRT SHORT RH
19	2	7326301	CAP, D-TUBE - BOTTOM
20	6	7583501	RETAINER, FZ SHROUD
21	2	3236202	SCREW, M10 X1.5 25MM
22	13	3239101	SCREW, M5X10 PHL PAN TT ST
23	9	3236501	M4 X 0.7 PHL PAN MS ST ZN

# FZHAD HIP ADDUCTION

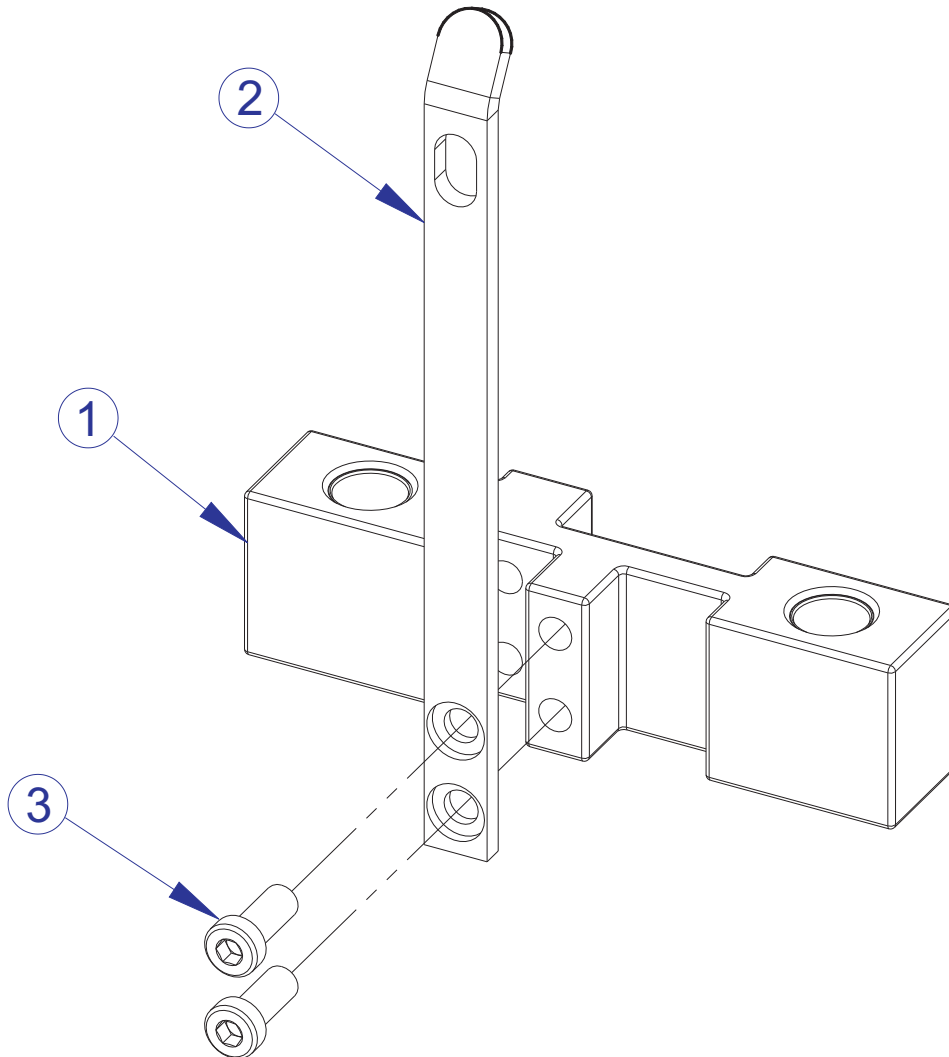
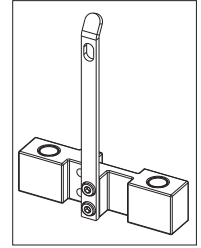
## 5 LB. INCREMENT WEIGHT ASSEMBLY - 7327601



ITEM NO.	QTY.	PART NO.	DESCRIPTION
1	1	7968501	ASSY, FZ INC WEIGHT 5LB
2	1	7328001	BRKT, INCREMENT WT - 5 LB
3	2	3236202	SCREW, M10 X1.5 25MM

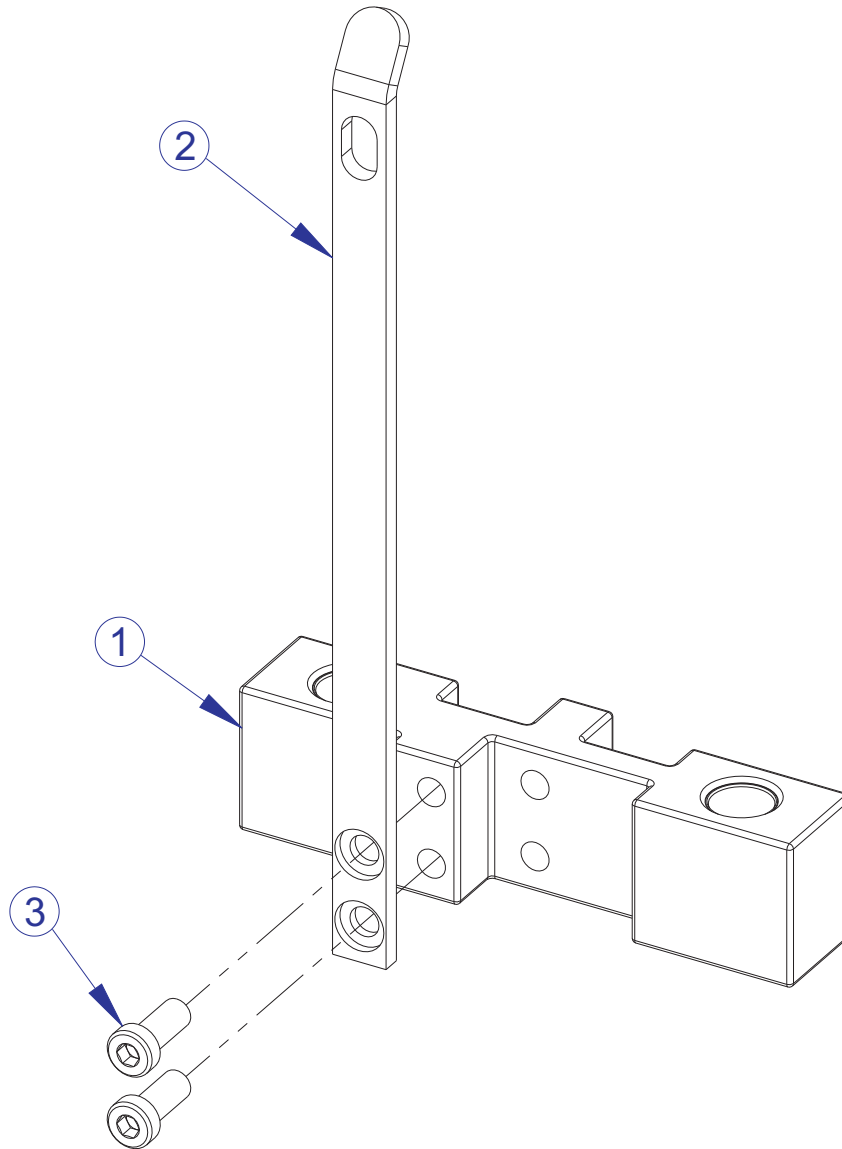
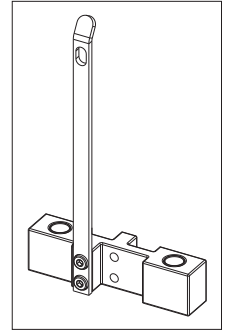


# FZHAD HIP ADDUCTION 10 LB. INCREMENT WEIGHT ASSEMBLY - 7327701



ITEM NO.	QTY.	PART NO.	DESCRIPTION
1	1	7968501	ASSY, FZ INC WEIGHT 5LB
2	1	7328101	BRKT, INCREMENT WT - 10 LB
3	2	3236202	SCREW, M10 X1.5 25MM

# FZHAD HIP ADDUCTION 15 LB. INCREMENT WEIGHT ASSEMBLY - 7327801

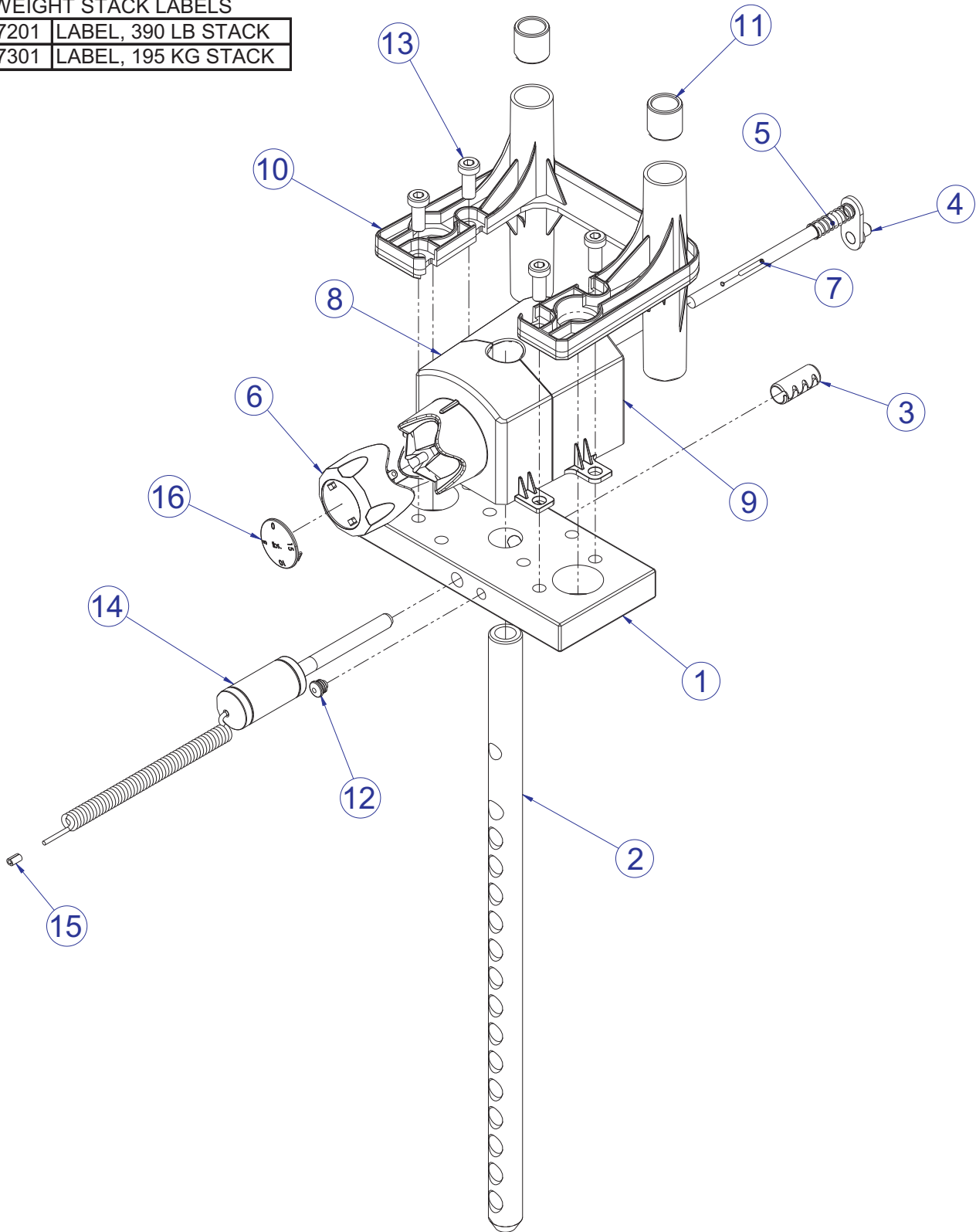


ITEM NO.	QTY.	PART NO.	DESCRIPTION
1	1	7968501	ASSY, FZ INC WEIGHT 5LB
2	1	7328201	BRKT, INCREMENT WT - 15 LB
3	2	3236202	SCREW, M10 X1.5 25MM

# FZHAD HIP ADDUCTION HEAD PLATE ASSEMBLY - 7350701

## WEIGHT STACK LABELS

7927201	LABEL, 390 LB STACK
7927301	LABEL, 195 KG STACK



SEE PAGE 12 FOR LEGEND

# FZHAD HIP ADDUCTION HEAD PLATE ASSEMBLY LEGEND

---

ITEM NO.	QTY.	PART NO.	DESCRIPTION
1	1	7326701	HEAD PLATE
2	1	7347801	STEM, 9 PLATE
3	1	3236001	BUSHING, SPRING PIN
4	1	7327201	WLDMT, INCREMENT WT PIN
5	1	8024501	SPRING, 1/2 OD X 1-1/2
6	1	7326101	KNOB, INC WT SELECTOR
7	1	3110008	ROLL PIN, 1/8 X 1-1/4
8	1	7326401	HOUSING, SELECTOR - FRONT
9	1	7326501	HOUSING, SELECTOR - REAR
10	1	7362101	STABILIZER, HEAD PLATE
11	4	7459601	BUSHING, HEAD PLT STABILIZER
12	1	7356501	PLUG, LANYARD ATTACHMENT
13	4	3236202	SCREW, M10 X1.5 25MM
14	1	7338101	ASSY, WT STACK SELECTOR PIN
15	1	7523601	CRIMP, CABLE
16	1	7398601	CAP, SELECTOR KNOB, LBS
	OR		
	1	7398701	CAP, SELECTOR KNOB, KG

# FZHAD HIP ADDUCTION IMAGE

---



## Free Manuals Download Website

<http://myh66.com>

<http://usermanuals.us>

<http://www.somanuals.com>

<http://www.4manuals.cc>

<http://www.manual-lib.com>

<http://www.404manual.com>

<http://www.luxmanual.com>

<http://aubethermostatmanual.com>

Golf course search by state

<http://golfingnear.com>

Email search by domain

<http://emailbydomain.com>

Auto manuals search

<http://auto.somanuals.com>

TV manuals search

<http://tv.somanuals.com>