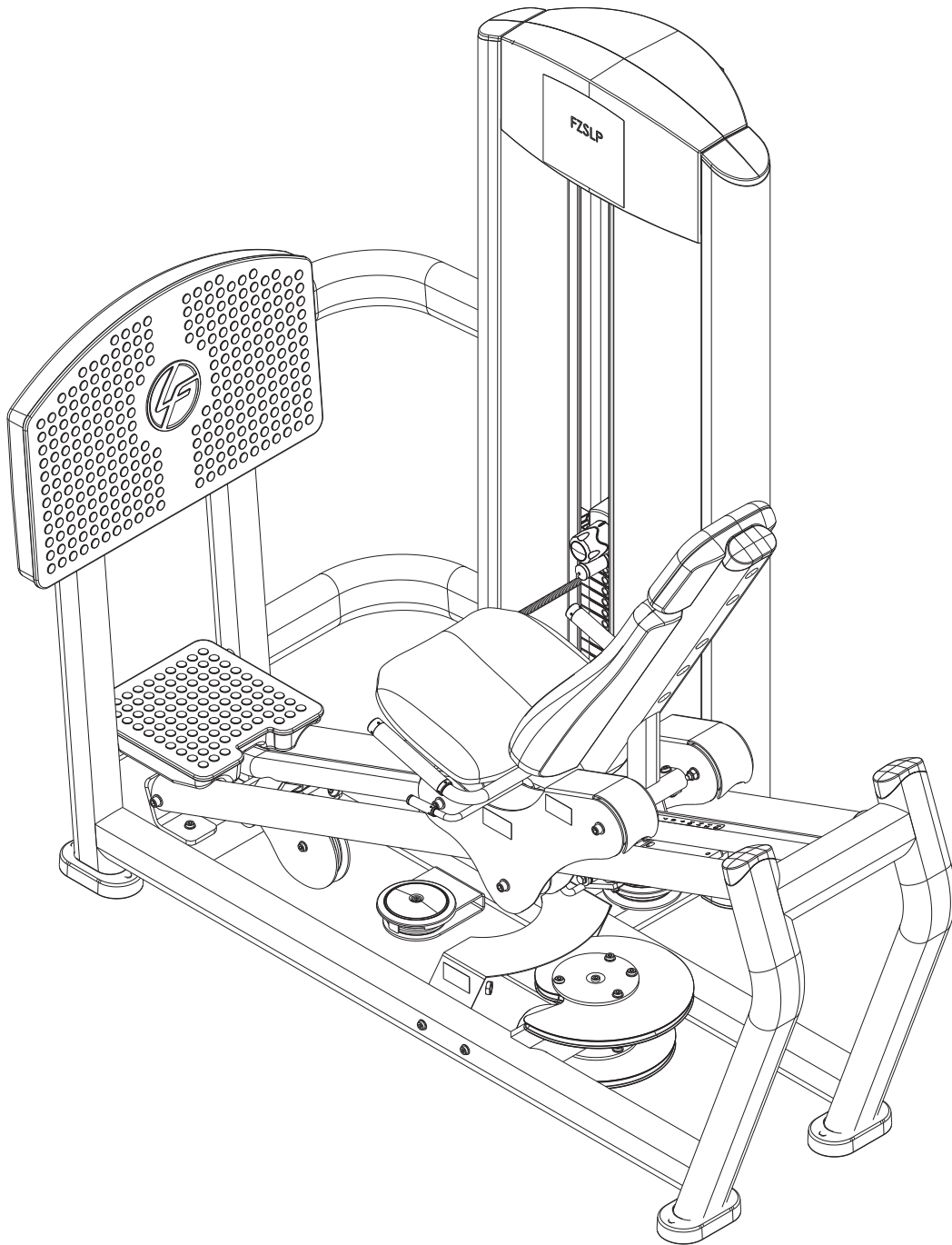




SIGNATURE SERIES  
FZSLP SEATED LEG PRESS



Customer Support Services  
**PARTS MANUAL**

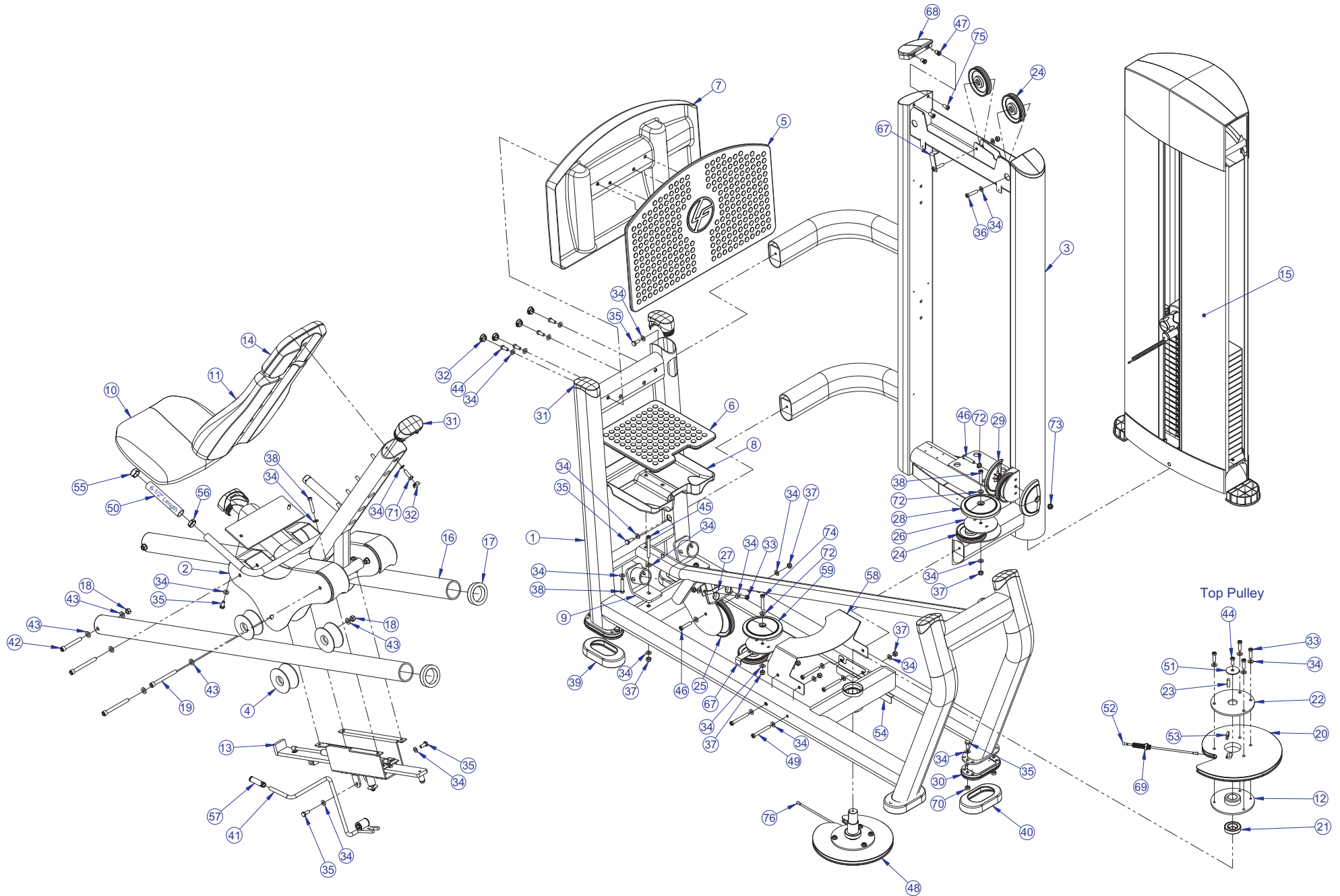
# FZSLP SEATED LEG PRESS

## CONTENTS

---

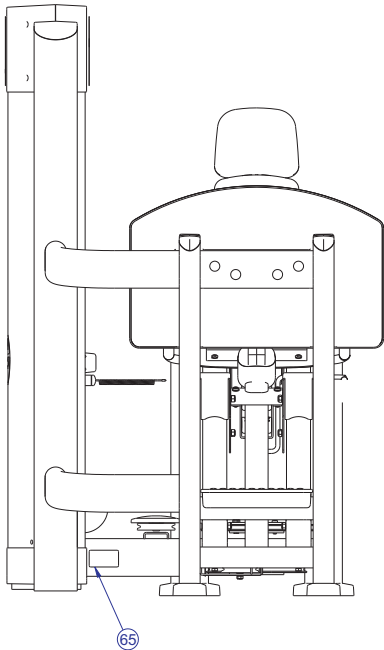
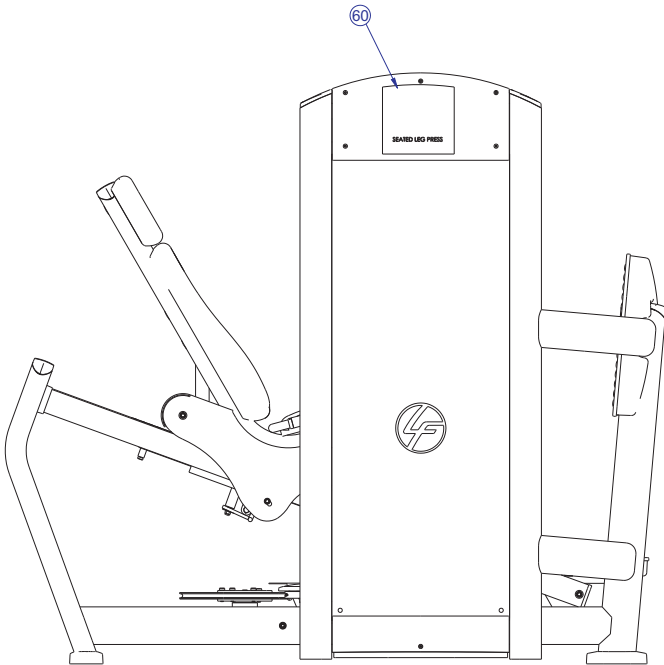
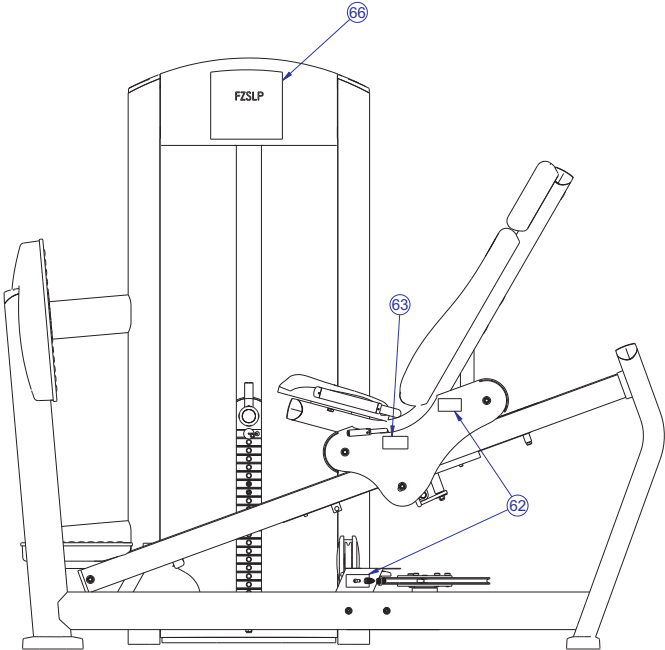
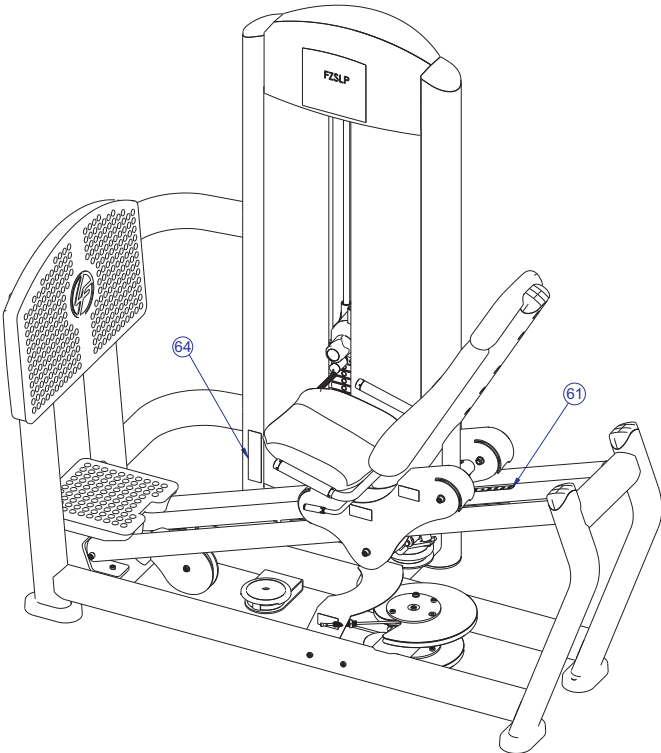
	PAGE
COMPONENT ASSEMBLY	3
COMPONENT ASSEMBLY II	4
COMPONENT ASSEMBLY LEGEND	5
SEAT ADJUSTMENT ASSEMBLY	6
SEAT ADJUSTMENT ASSEMBLY LEGEND	7
ADJUSTER HANDLE ASSEMBLY	8
LOWER CABLE ASSEMBLY	9
HIGH-19 TOWER ASSEMBLY	10
PLASTIC TOWER ASSEMBLY	11
HIGH-19 WEIGHT STACK ASSEMBLY	12
5 LB. INCREMENT WEIGHT ASSEMBLY	13
10 LB. INCREMENT WEIGHT ASSEMBLY	14
15 LB. INCREMENT WEIGHT ASSEMBLY	15
HEAD PLATE ASSEMBLY	16
HEAD PLATE ASSEMBLY LEGEND	17
IMAGE	18

# FZSLP SEATED LEG PRESS COMPONENT ASSEMBLY



SEE PAGE 5 FOR LEGEND

# FZSLP SEATED LEG PRESS COMPONENT ASSEMBLY II

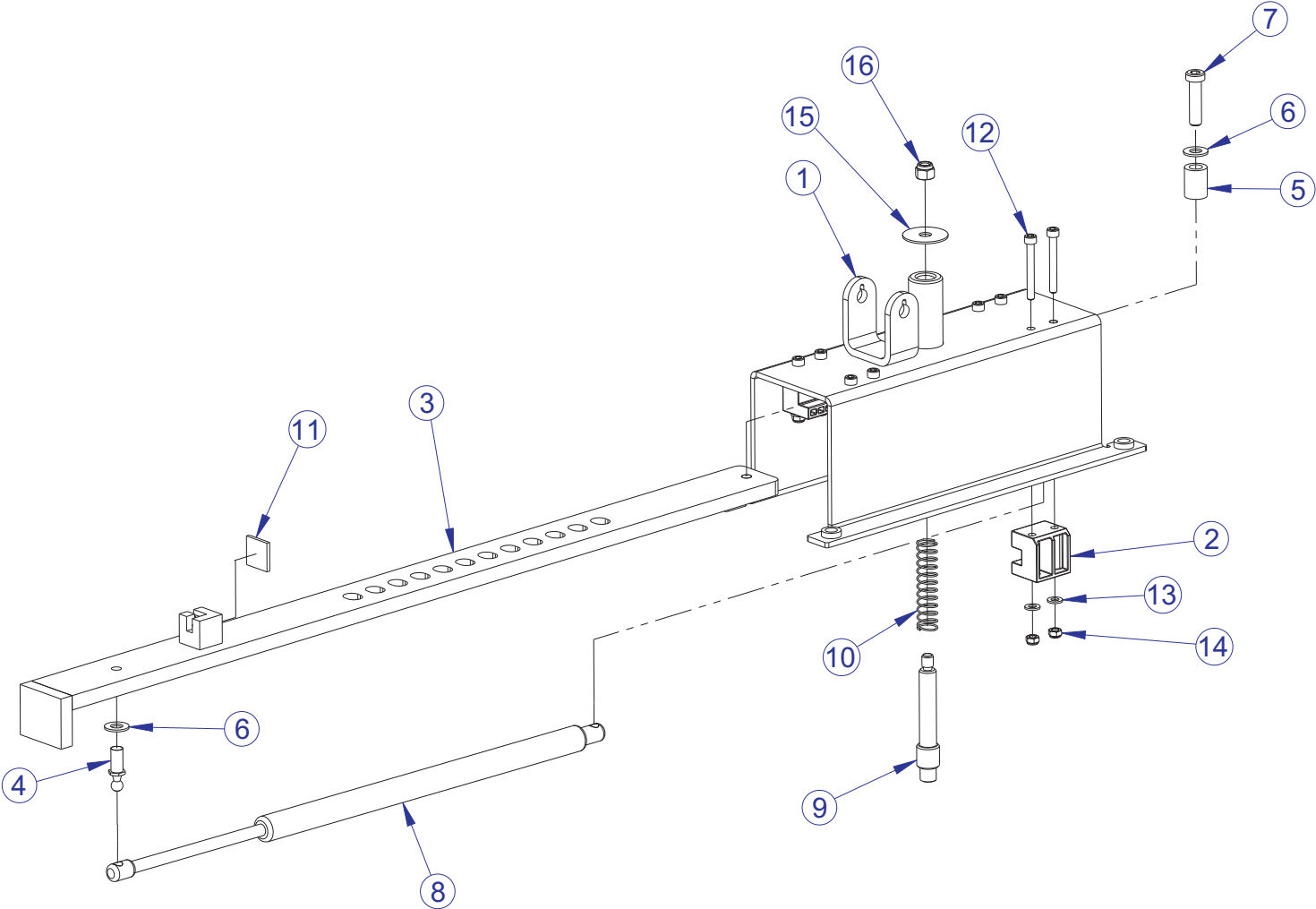


SEE PAGE 5 FOR LEGEND

# FZSLP SEATED LEG PRESS COMPONENT ASSEMBLY LEGEND

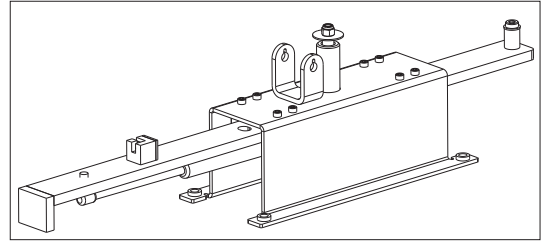
ITEM NO.	QTY.	PART NO.	DESCRIPTION	ITEM NO.	QTY.	PART NO.	DESCRIPTION
1	1	7386701	WLDMT, FZSLP-FRAME	39	2	7340201	COVER, FOOT - STRAIGHT
2	1	7408101	WLDMT, FZSLP-SEAT	40	2	7419701	COVER, FOOT 10 DEG
3	1	7361601	WLDMT, FZSLP HIGH TOWER	41	1	7450701	ASSY, FZ/PS-SLP SEAT HANDLE
4	6	3251501	ROLLER ASSY	42	2	3241315	SCREW, M12 X1.75 90MM
5	1	7429601	FT.PLATE,FZSLP-OVERMOLDED	43	16	3241401	WASHER, FLAT 12MM SS
6	1	7438301	STEP PLATE,FZSLP- OVERMOLDED	44	5	3236202	SCREW, M10 X1.5 25MM
7	1	7429501	COVER,FZSLP-FT. PLATE	45	2	3236215	SCREW, M10 X1.5 90MM
8	1	7438201	COVER,FZSLP-STEP	46	2	3236207	SCREW, M10 X1.5 50MM
9	2	7408895	WLDMT, FZ/PS-SLP RAIL BRKT SG	47	4	3238601	M10X1.5 THREADED INSERT (HEX)
10	1	72972XX	PAD, LARGE CHAIR	48	1	7592601	ASSY, FZSLP RND CAM (LOWER)
11	1	74741XX	PAD, LARGE BACK	49	4	3236214	SCREW, M10 X1.5 85MM
12	1	7511395	WLDMT, FZ/PS-SLP HUB SG	50	2	3235801	GRIP, 1.00 ID X .125 X 7
13	1	7422901	ASSY, FZ/PS-SLP SEAT ADJ	51	1	7322301	PLATE, 1.97 OD X .44 ID 10GA
14	1	74743XX	PAD, HEAD REST	52	1	7423709	CABLE, FZSLP 137-1/4 UPPER
15	1	7420501	ASSY, HIGH TOWER-19	53	1	7342201	PLATE, CABLE END
16	2	7961101	TUBE, RAIL	54	1	8161195	BRKT, FZ/PSSLP CABLE RETAINER
17	2	7444601	BUMBER, DONUT	55	2	7662901	CAP, GRIP 1.25 OD
18	8	3236803	NUT, M12 HEX NYLOCK SS	56	2	7662801	RING, GRIP 1.25 OD
19	6	3241320	SCREW, M12 X1.75 120MM	57	1	7681901	HANDLE, REMOTE
20	1	7414501	CAM, FZ/PS-SLP OBLONG	58	1	7409895	SHIELD, FZ/PS-SLP CAM SG
21	1	3243201	BEARING, 6007 BALL	59	1	8104501	COVER, PULLEY-BOLTED NOTCHED
22	1	7511295	PLATE, FZ/PS-SLP TORQUE SG	60	1	7508001	LABEL, FZAB PLACARD
23	1	7511601	KEY, .375 SQUARE X 1.25	61	1	7524401	LABEL, 1-13 STRAIGHT
24	5	3237801	PULLEY, 4.5" OD	62	2	7422003	LABEL, MOVING PARTS
25	1	3239601	PULLEY, 6" OD x 10MM ID	63	1	7422001	LABEL, SEAT INST
26	1	7318201	PLATE, PULLEY	64	1	7422004	LABEL, 2" ASTM WARN
27	1	7352001	BUMPER, 2-1/8 X 4-5/8	65	1	7571301	LABEL, SERIAL NUMBER
28	1	8102901	COVER, PULLEY-BOLTED FULL	66	1	7507901	LABEL, FZSLP PLACARD
29	2	8094101	COVER, PULLEY-BOLTED PARTIAL	67	2	6757701	CLIP, CABLE 2-7/8 X 1 X 1
30	4	7334001	FOOT, 2.50 X 4.49 FLOV	68	2	7326201	CAP, D-TUBE - TOP
31	6	7333901	CAP, LARGE FLOV- END	69	1	3236902	NUT, M16 X 2 HEX JAM SS
32	9	3237403	PLUG, 1" HOLE	70	8	3254703	NUT, M10 X 1.5 HEX ZINC
33	6	3236204	SCREW, M10 X1.5 35MM	71	5	3251204	SCREW, M10 X1.5 X 35MM HEX ZN
34	55	3236601	WASHER, 3/8 SAE SS	72	3	7630101	RETAINER, CM/MJ, PULLEY
35	14	3251202	SCREW, M10 X1.5 X 25MM HEX ZN	73	1	7335401	NUT, M10 X 1.5 SOCKET HEAD
36	2	3236206	SCREW, M10 X1.5 45MM	74	1	3236209	SCREW, M10 X1.5 60MM
37	12	3236801	NUT, M10 HEX NYLOCK SS	75	4	3236201	SCREW, M10 X1.5 20MM
38	7	3236208	SCREW, M10 X1.5 55MM	76	1	7423805	CABLE, FZSLP-2 80-1/8 LOWER

# FZSLP SEATED LEG PRESS SEAT ADJUSTMENT ASSEMBLY - 7422901



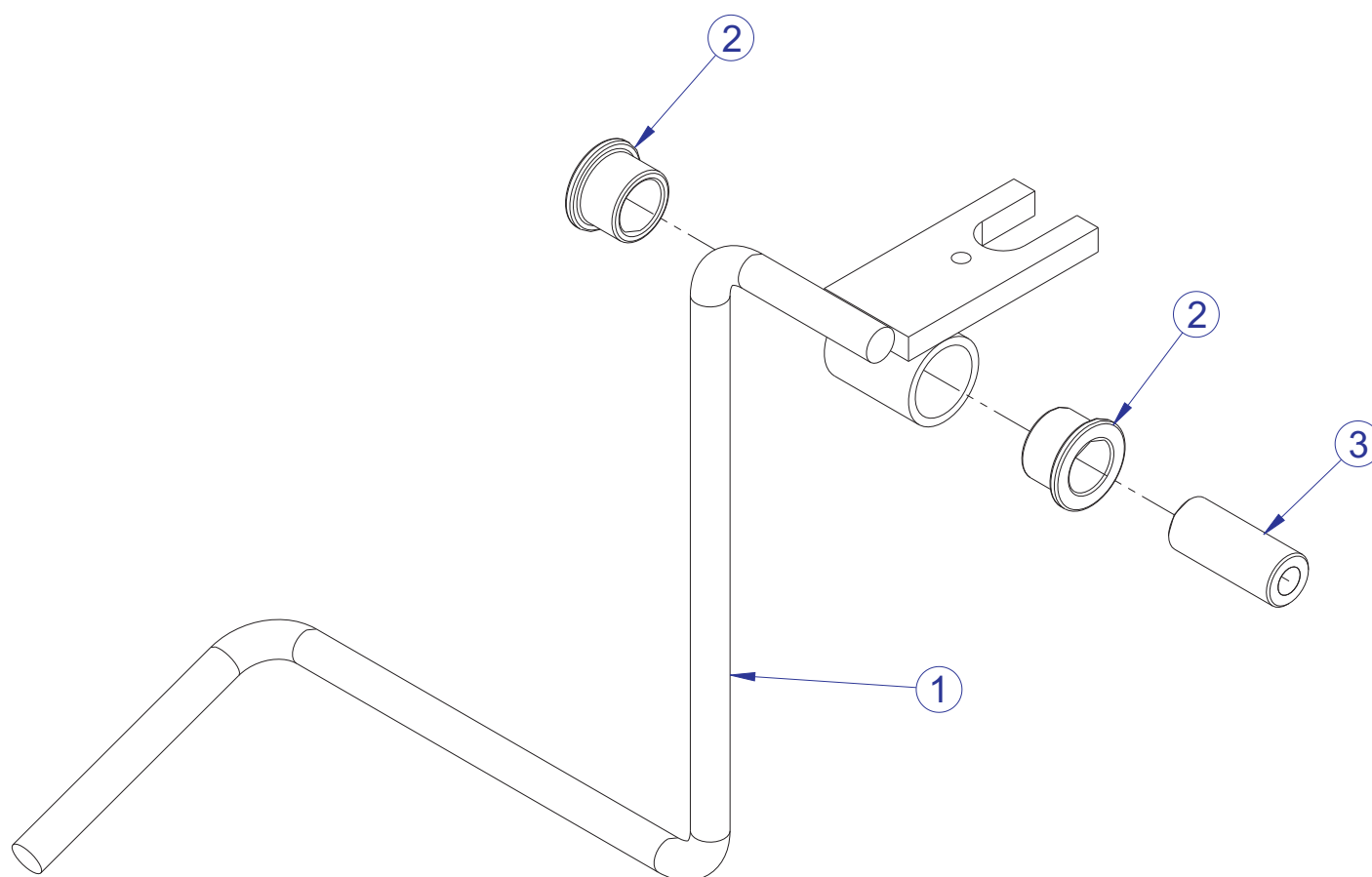
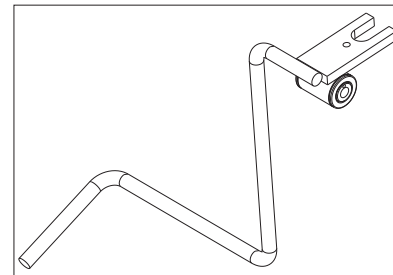
SEE PAGE 7 FOR LEGEND

# FZSLP SEATED LEG PRESS SEAT ADJUSTMENT ASSEMBLY LEGEND



ITEM NO.	QTY.	PART NO.	DESCRIPTION
1	1	7409095	WLDMT, FZ/PS-SLP SEAT ADJ SG
2	4	7778501	BLOCK, FZ/PS-SLP DELRIN
3	1	7409502	WLDMT, FZ/PS-SLP ADJ PLATED
4	1	7414301	STUD, M10 BALL END M10 X 1.5
5	1	7354301	SPACER, 7/16 ID X .75 OD X 1
6	2	3236601	WASHER, 3/8 SAE SS
7	1	3236205	SCREW, M10 X1.5 40MM
8	1	3239401	SPRING,GAS-135N- 300
9	1	7351301	PIN, PULL X 4.375
10	1	7351501	SPRING; PULL PIN LARGE
11	1	6140701	GLIDE 1 X 1
12	8	3241707	SCREW, M6 X1 50MM
13	8	3241801	WASHER, FLAT 6MM SS
14	8	3236802	NUT, M6 HEX NYLOCK SS
15	1	3236701	WASHER, FENDER 3/8" ID X 1.5" OD SS
16	1	3102802	NUT, NYLOCK 3/8-16

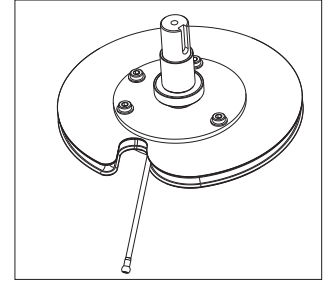
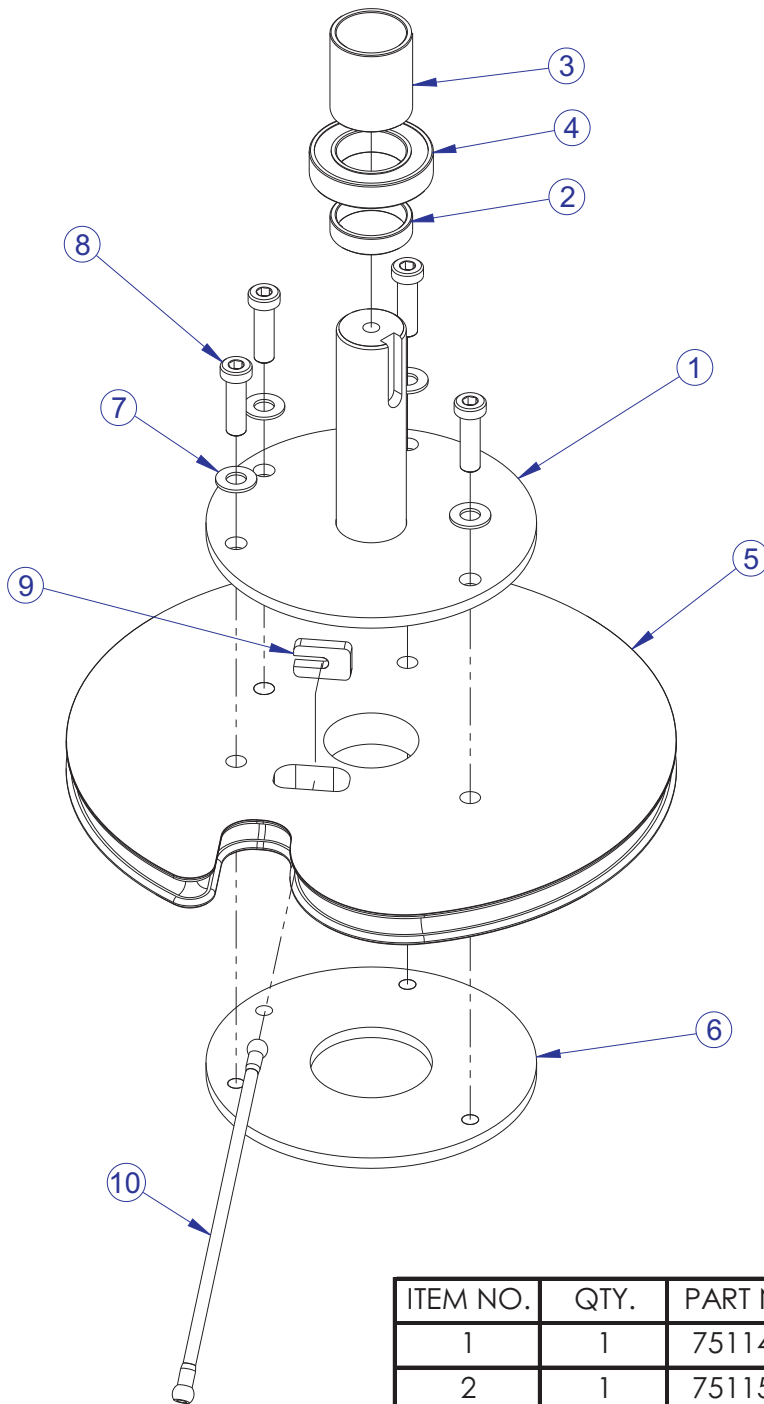
# FZSLP SEATED LEG PRESS ADJUSTER HANDLE ASSEMBLY - 7450701



ITEM NO.	QTY.	PART NO.	DESCRIPTION
1	1	7412295	WLDMT, FZ/PS-SLP LEVER SG
2	2	3104901	.75" ID 1.00" OD BRONZE BUSHING
3	1	7324802	SHAFT, TAPPED 0.75 DIA X 1.800

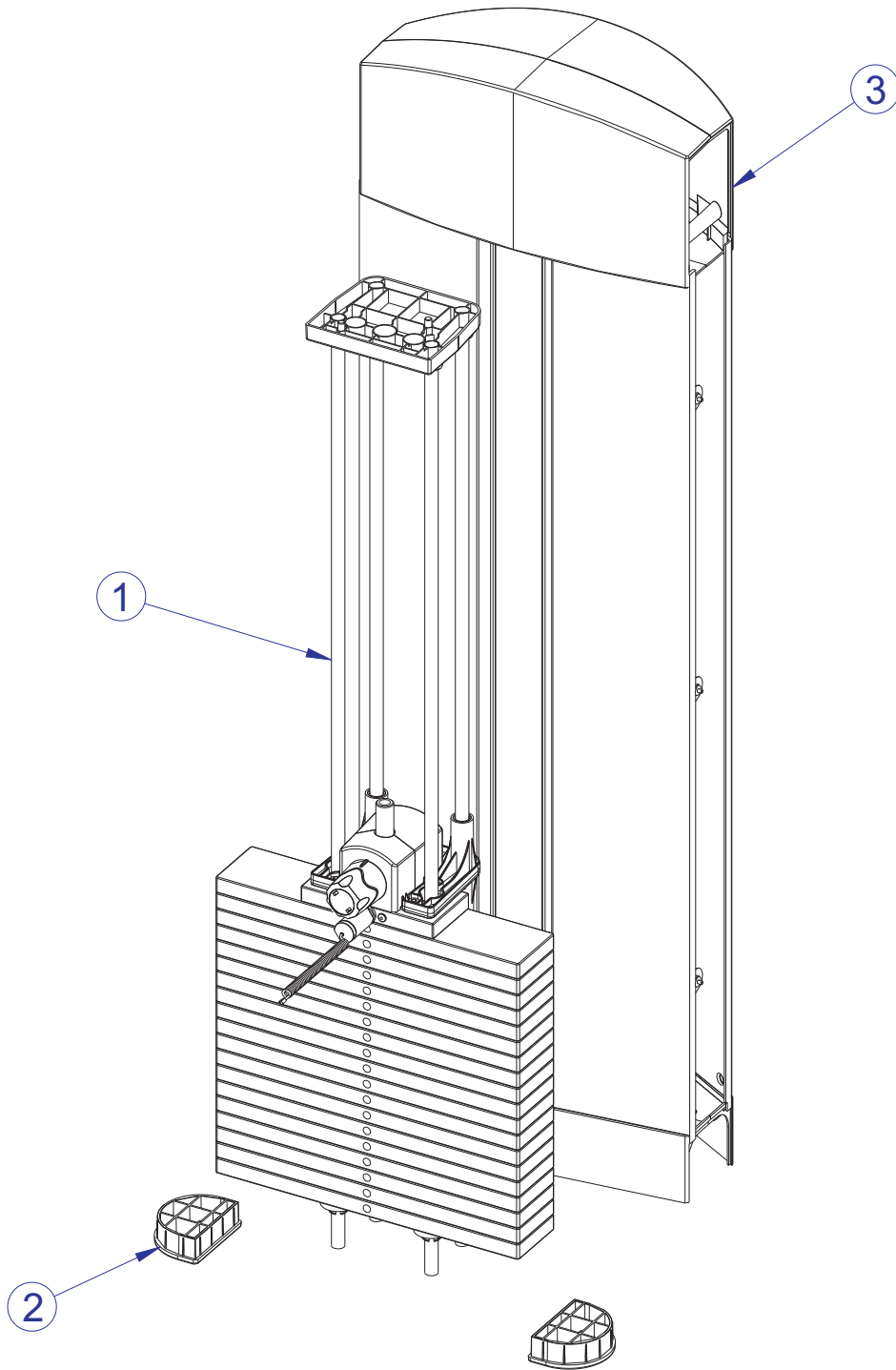


# FZSLP SEATED LEG PRESS LOWER CAM ASSEMBLY - 7592601



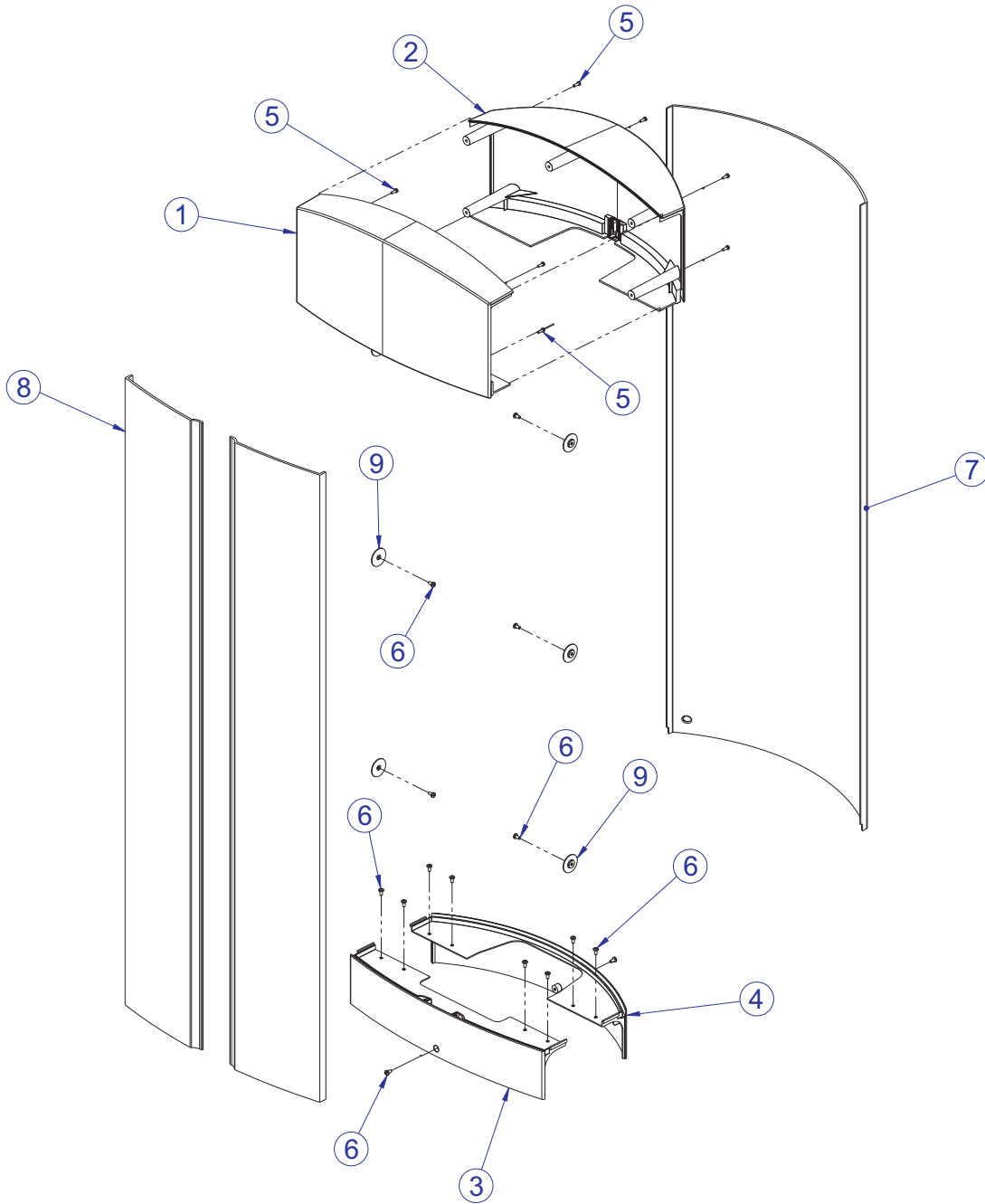
ITEM NO.	QTY.	PART NO.	DESCRIPTION
1	1	7511495	WLDMT, FZ/PS-SLP CAM SHAFT SG
2	1	7511501	SPACER, FZ/PS INTERNAL .403
3	1	7511502	SPACER, FZ/PS INTERNAL 1.845
4	1	3243201	BEARING, 6007 BALL
5	1	7414401	CAM, FZ/PS-SLP RND
6	1	7511195	PLATE, FZ/PS-SLP CAM THRD SG
7	4	3236601	WASHER, 3/8 SAE SS
8	4	3236204	SCREW, M10 X1.5 35MM
9	1	7342201	PLATE, CABLE END
10	1	7423805	CABLE, FZSLP-2 80-1/8

# FZSLP SEATED LEG PRESS HIGH-19 TOWER ASSEMBLY - 7420501



ITEM NO.	QTY.	PART NO.	DESCRIPTION
1	1	7420201	ASSY, WEIGHT STACK HIGH-19
2	2	7326301	CAP, D-TUBE-BTM
3	1	7419901	ASSY, TOWER PLASTICS-HIGH

# FZSLP SEATED LEG PRESS PLASTIC TOWER ASSEMBLY - 7419901



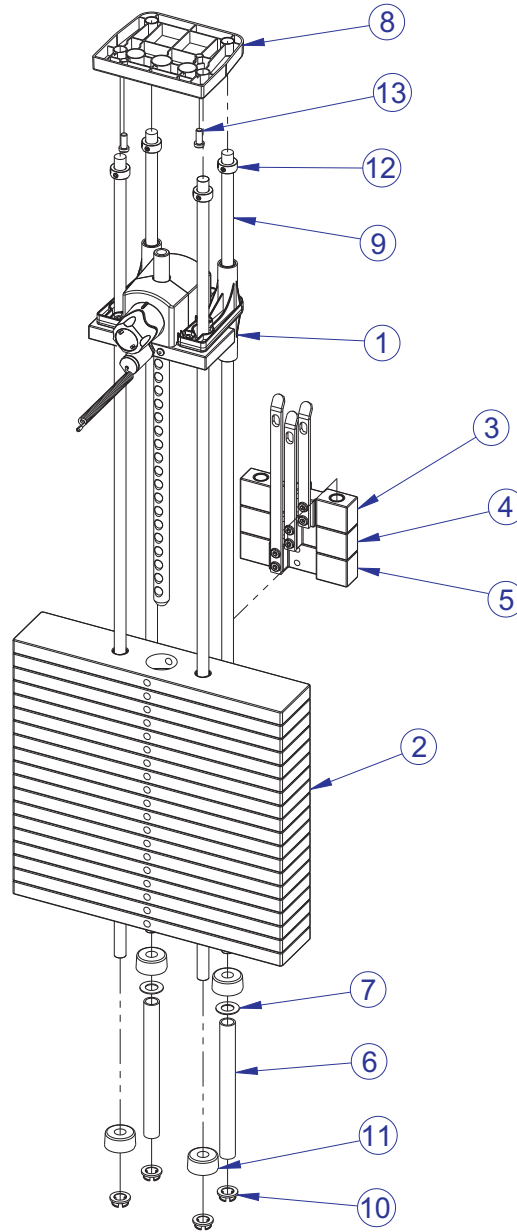
ITEM NO.	QTY.	PART NO.	DESCRIPTION
1	1	7318601	COVER, TOWER- TOP FRONT
2	1	7318701	COVER, TOWER- TOP REAR
3	1	7318801	COVER, TOWER- BOTTOM FRONT
4	1	7318901	COVER, TOWER- BOTTOM REAR
5	9	3236501	M4 X 0.7 PHL PAN MS ST ZN
6	16	3239101	SCREW, M5X10 PHL PAN TT ST
7	1	7765702	SHROUD, TOWER- REAR LONG
8	2	7765602	SHROUD, TOWER- FRT SHORT LH
9	6	7583501	RETAINER, FZ SHROUD

# FZSLP SEATED LEG PRESS

## HIGH-19 WEIGHT STACK ASSEMBLY - 7420201

### WEIGHT STACK LABELS

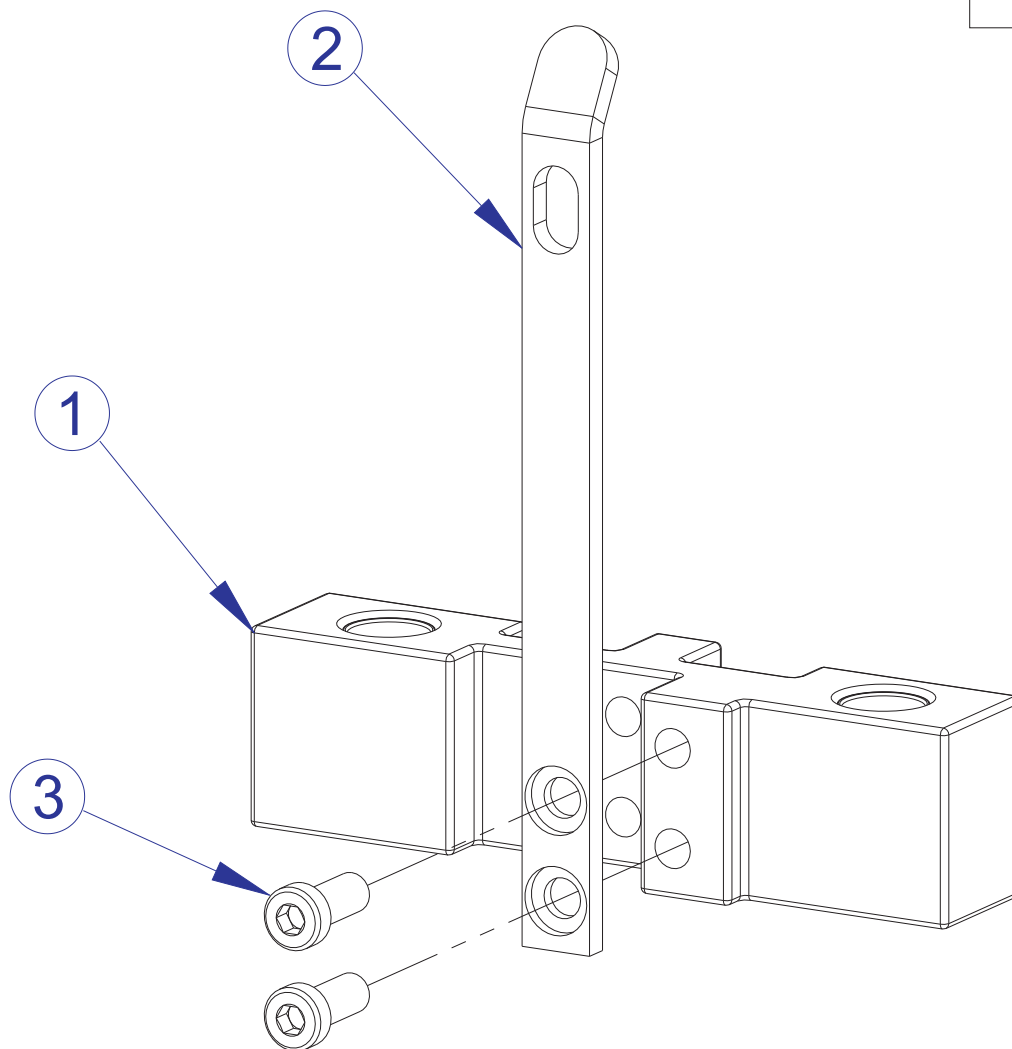
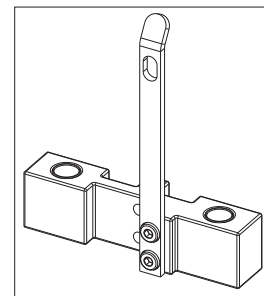
7927201	LABEL, 390 LB STACK
7927301	LABEL, 195 KG STACK



ITEM NO.	QTY.	PART NO.	DESCRIPTION
1	1	7350801	ASSY, HEAD PLATE (19)
2	19	7328401	WEIGHT PLATE, 20 LB
3	1	7327601	ASSY, INCREMENT WT - 5 LB
4	1	7327701	ASSY, INCREMENT WT - 10 LB
5	1	7327801	ASSY, INCREMENT WT - 15 LB
6	2	7328702	SPACER, INC WT STACK - 19 PLT
7	2	7351001	SPACER, INC WT STACK
8	1	7621101	RETAINER, GUIDE ROD - TOP
9	4	7328606	GUIDE ROD, .75 OD SOLID 59.63
10	4	7337901	BUSHING, GUIDE ROD
11	4	7352101	CUSHION, WEIGHT STACK
12	4	3103301	SHAFT COLLAR, 3/4 I.D. ZINC
13	2	3236202	SCREW, M10 X1.5 25MM

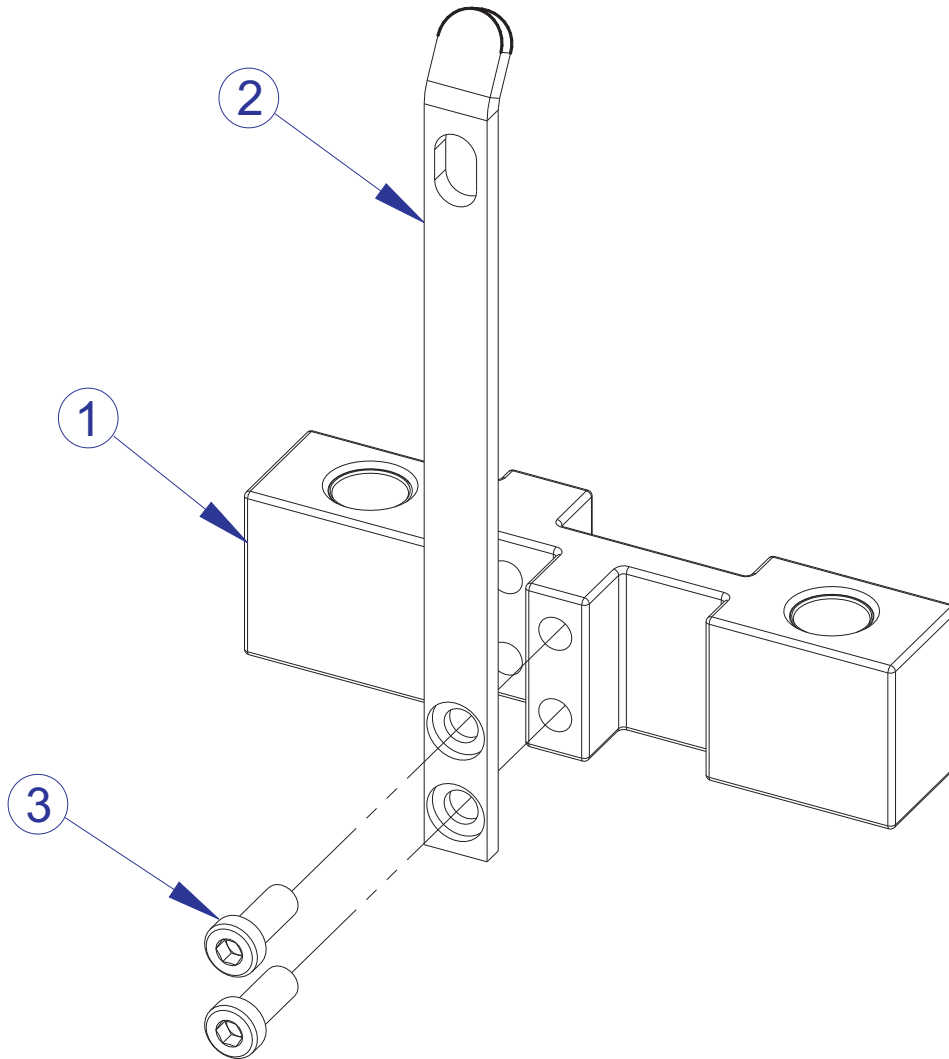
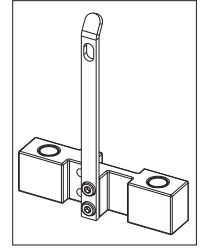
# FZSLP SEATED LEG PRESS

## 5 LB. INCREMENT WEIGHT ASSEMBLY - 7327601



ITEM NO.	QTY.	PART NO.	DESCRIPTION
1	1	7968501	ASSY, FZ INC WEIGHT 5LB
2	1	7328001	BRKT, INCREMENT WT - 5 LB
3	2	3236202	SCREW, M10 X1.5 25MM

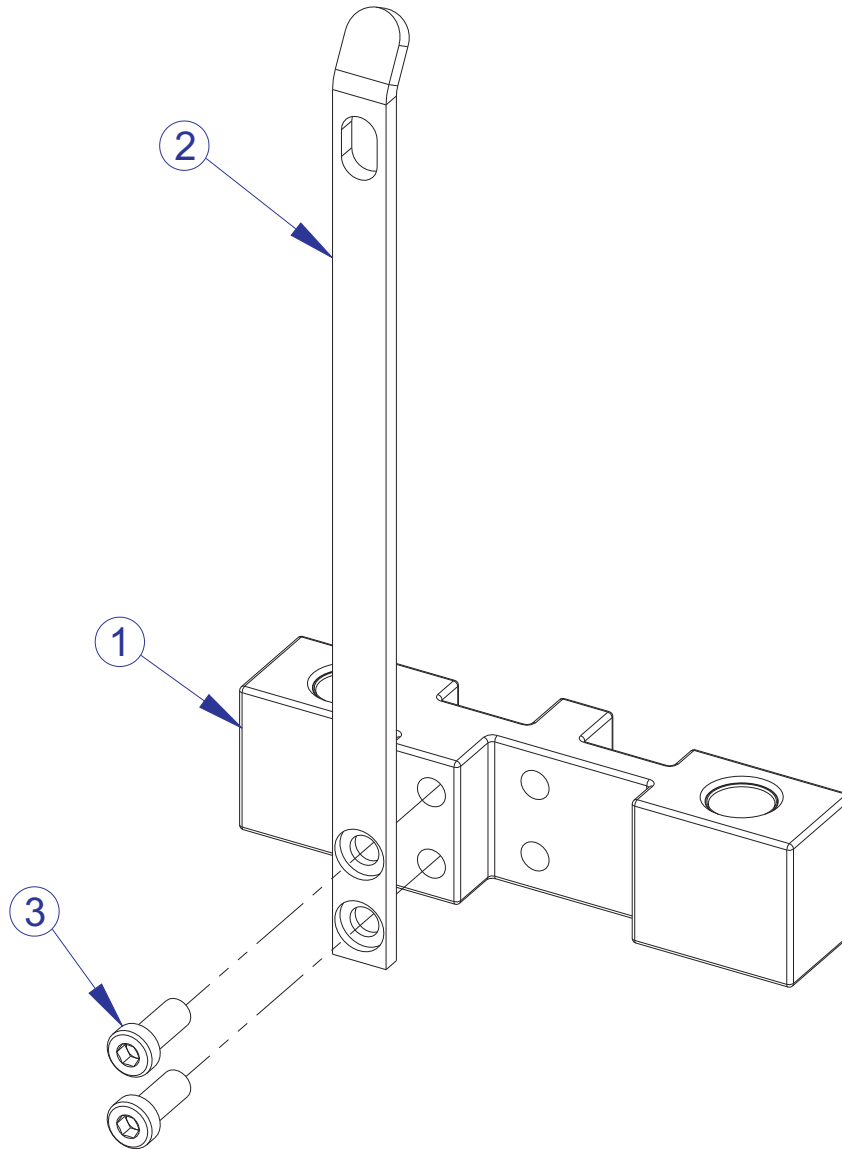
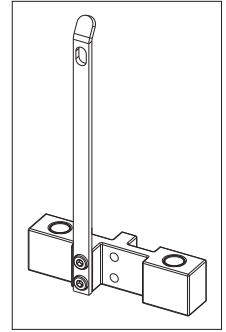
# FZSLP SEATED LEG PRESS 10 LB. INCREMENT WEIGHT ASSEMBLY - 7327701



ITEM NO.	QTY.	PART NO.	DESCRIPTION
1	1	7968501	ASSY, FZ INC WEIGHT 5LB
2	1	7328101	BRKT, INCREMENT WT - 10 LB
3	2	3236202	SCREW, M10 X1.5 25MM

# FZSLP SEATED LEG PRESS

## 15 LB. INCREMENT WEIGHT ASSEMBLY - 7327801

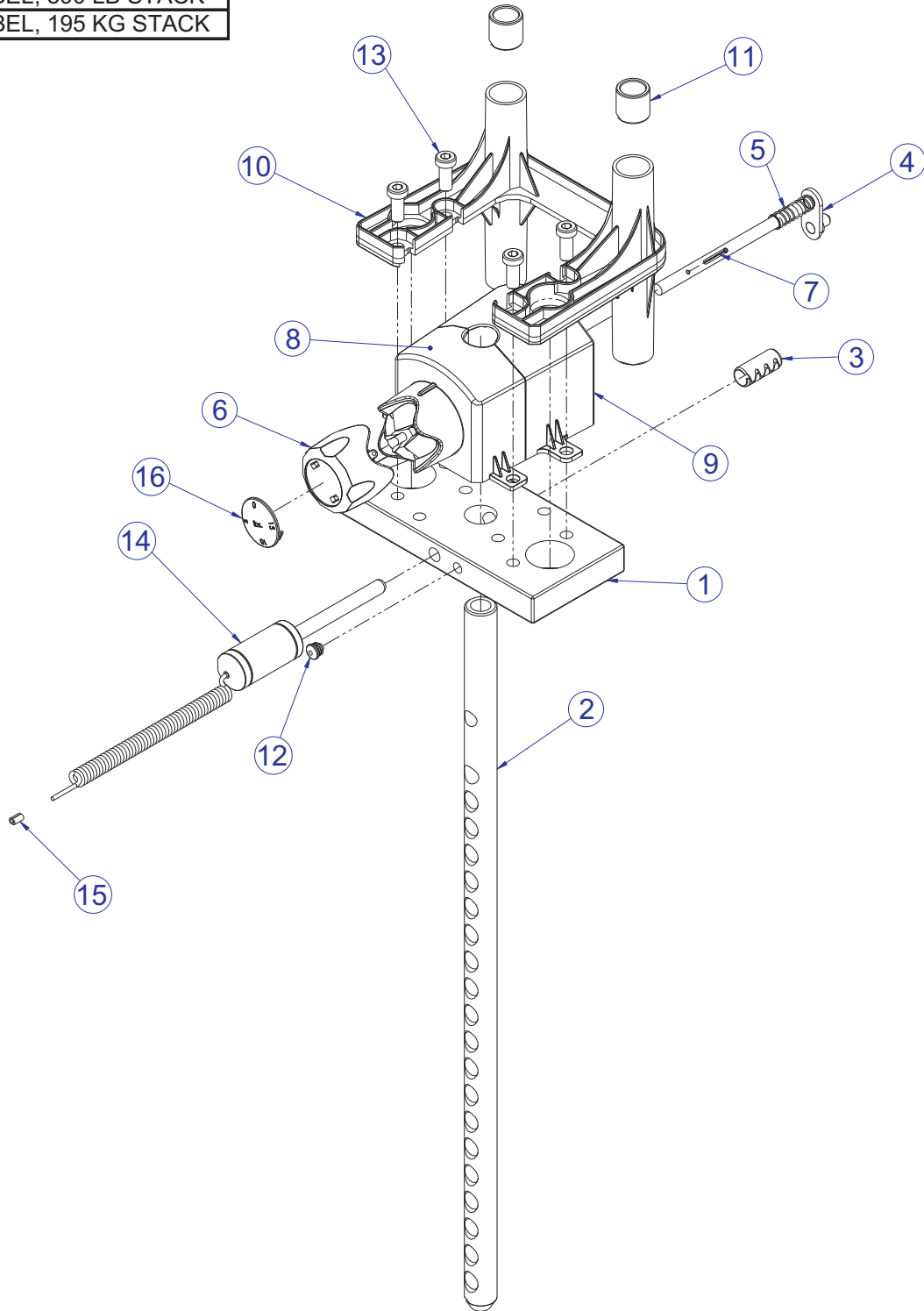


ITEM NO.	QTY.	PART NO.	DESCRIPTION
1	1	7968501	ASSY, FZ INC WEIGHT 5LB
2	1	7328201	BRKT, INCREMENT WT - 15 LB
3	2	3236202	SCREW, M10 X1.5 25MM

# FZSLP SEATED LEG PRESS HEAD PLATE ASSEMBLY - 7350801

## WEIGHT STACK LABELS

7927201	LABEL, 390 LB STACK
7927301	LABEL, 195 KG STACK



SEE PAGE 17 FOR LEGEND



# FZSLP SEATED LEG PRESS HEAD PLATE ASSEMBLY LEGEND

---

ITEM NO.	QTY.	PART NO.	DESCRIPTION
1	1	7326701	HEAD PLATE
2	1	7349501	STEM, 19 PLATE
3	1	3236001	BUSHING, SPRING PIN
4	1	7327201	WLDMT, INCREMENT WT PIN
5	1	8024501	SPRING, 1/2 OD X 1-1/2
6	1	7326101	KNOB, INC WT SELECTOR
7	1	3110008	ROLL PIN, 1/8 X 1-1/4
8	1	7326401	HOUSING, SELECTOR - FRONT
9	1	7326501	HOUSING, SELECTOR - REAR
10	1	7362101	STABILIZER, HEAD PLATE
11	4	7459601	BUSHING, HEAD PLT STABILIZER
12	1	7356501	PLUG, LANYARD ATTACHMENT
13	4	3236202	SCREW, M10 X1.5 25MM
14	1	7338101	ASSY, WT STACK SELECTOR PIN
15	1	7523601	CRIMP, CABLE
16	1	7398601	CAP, SELECTOR KNOB, LBS
	OR		
	1	7398701	CAP, SELECTOR KNOB, KG

# FZSLP SEATED LEG PRESS IMAGE

---



## Free Manuals Download Website

<http://myh66.com>

<http://usermanuals.us>

<http://www.somanuals.com>

<http://www.4manuals.cc>

<http://www.manual-lib.com>

<http://www.404manual.com>

<http://www.luxmanual.com>

<http://aubethermostatmanual.com>

Golf course search by state

<http://golfingnear.com>

Email search by domain

<http://emailbydomain.com>

Auto manuals search

<http://auto.somanuals.com>

TV manuals search

<http://tv.somanuals.com>