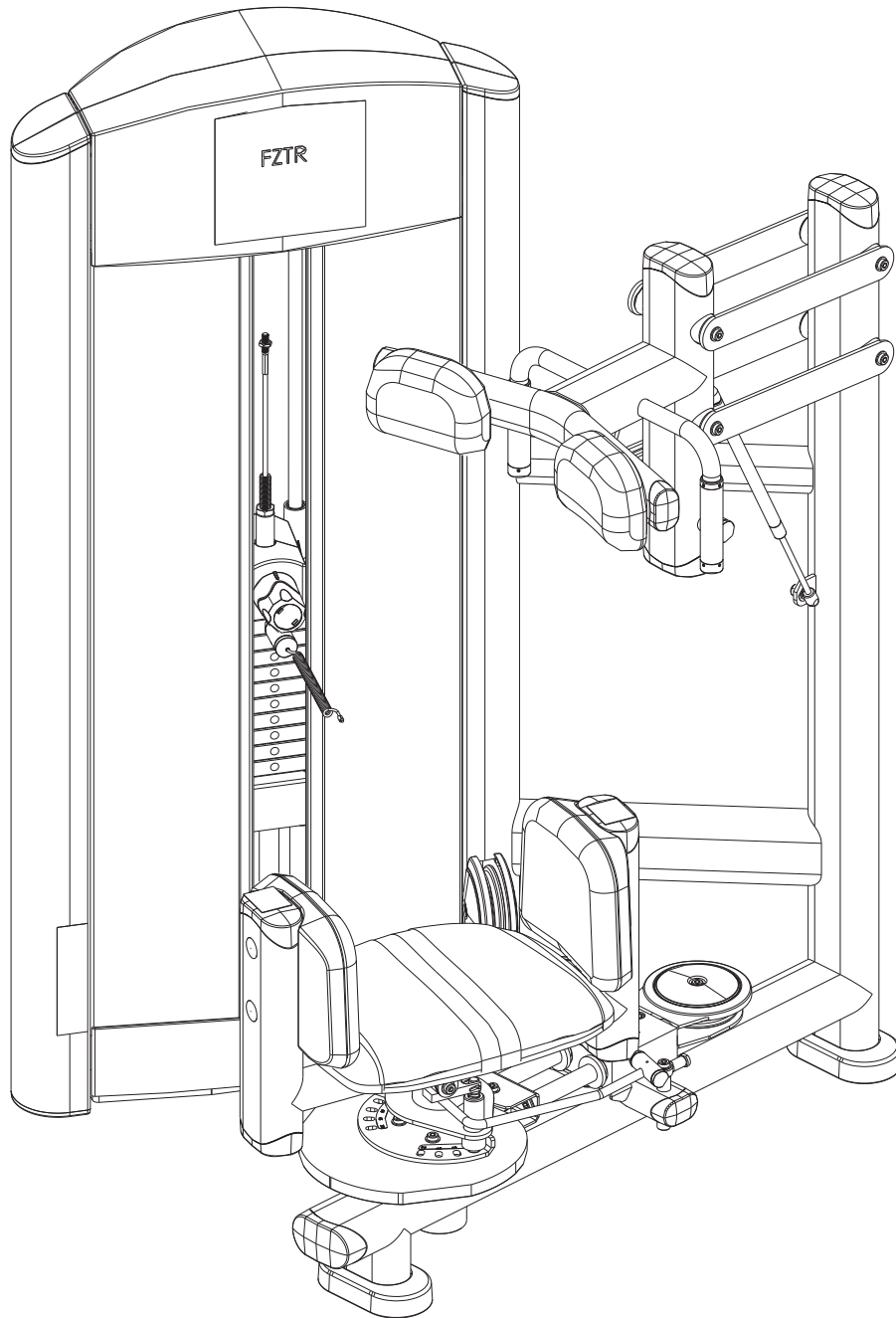




SIGNATURE SERIES
FZTR TORSO ROTATION

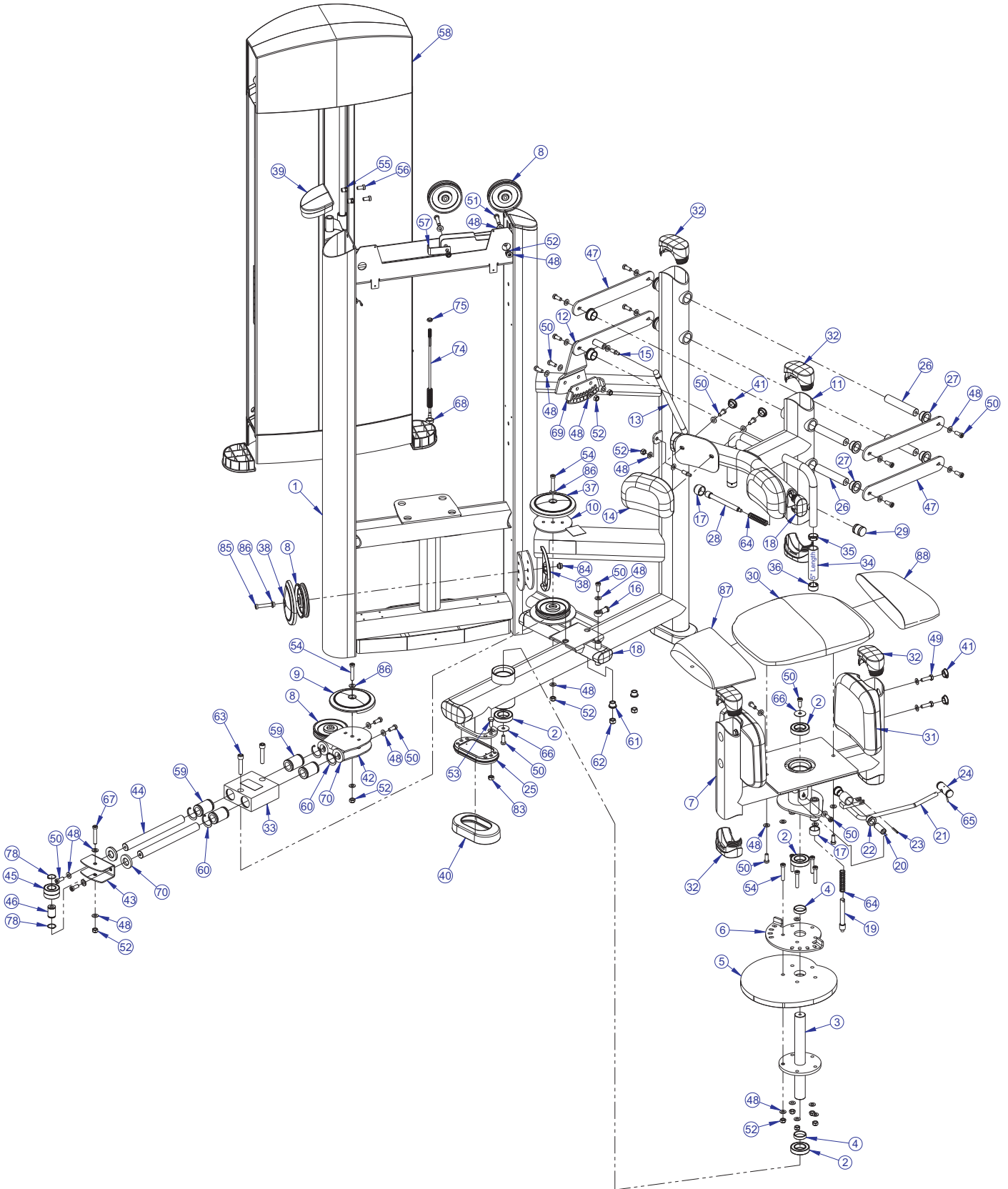


Customer Support Services
PARTS MANUAL

FZTR TORSO ROTATION CONTENTS

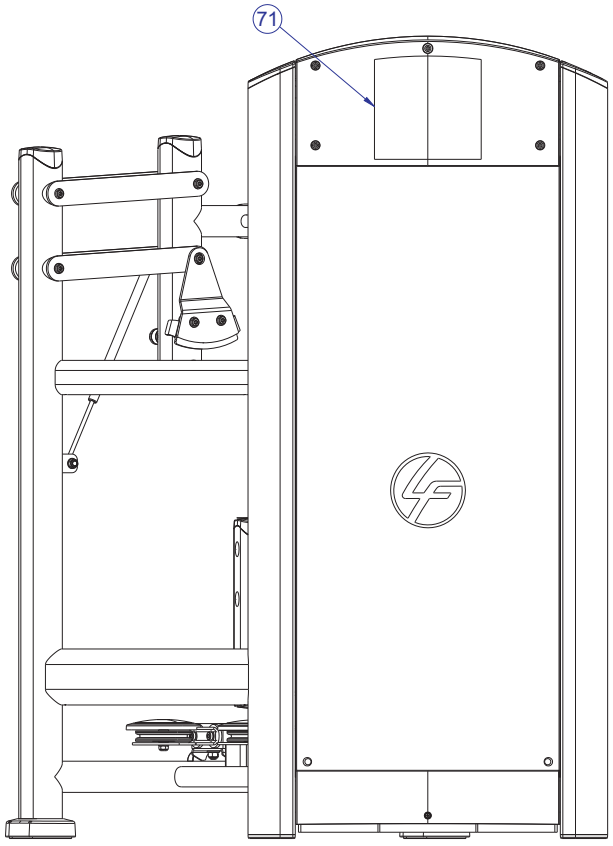
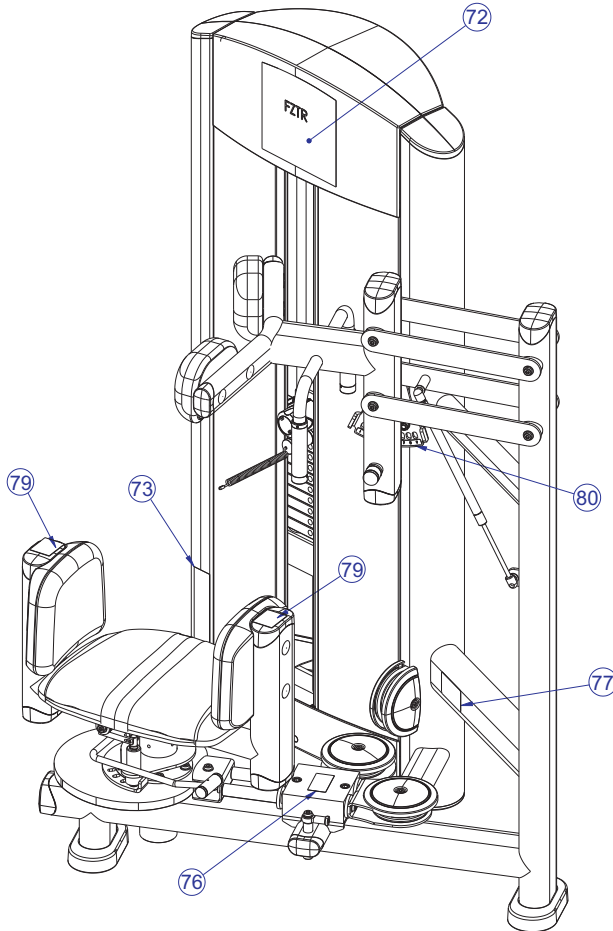
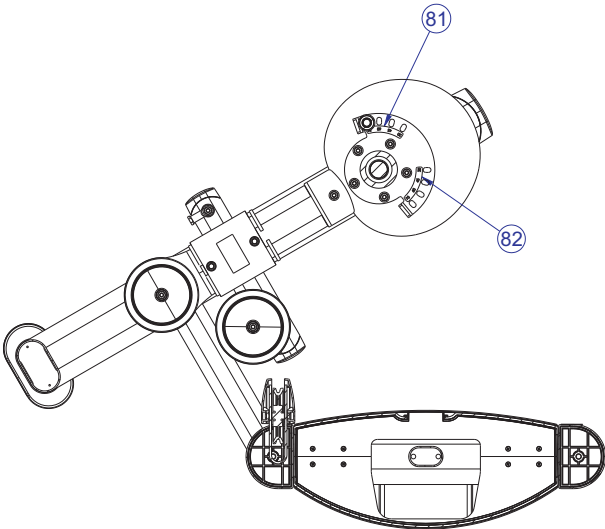
	PAGE
COMPONENT ASSEMBLY	3
COMPONENT ASSEMBLY II	4
COMPONENT ASSEMBLY LEGEND	5
MID-9 TOWER ASSEMBLY	6
PLASTIC TOWER ASSEMBLY	7
MID-9 WEIGHT STACK ASSEMBLY	8
5 LB. INCREMENT WEIGHT ASSEMBLY	9
10 LB. INCREMENT WEIGHT ASSEMBLY	10
15 LB. INCREMENT WEIGHT ASSEMBLY	11
HEAD PLATE ASSEMBLY	12
HEAD PLATE ASSEMBLY LEGEND	13
IMAGE	14

FZTR TORSO ROTATION COMPONENT ASSEMBLY



SEE PAGE 5 FOR LEGEND

FZTR TORSO ROTATION COMPONENT ASSEMBLY II

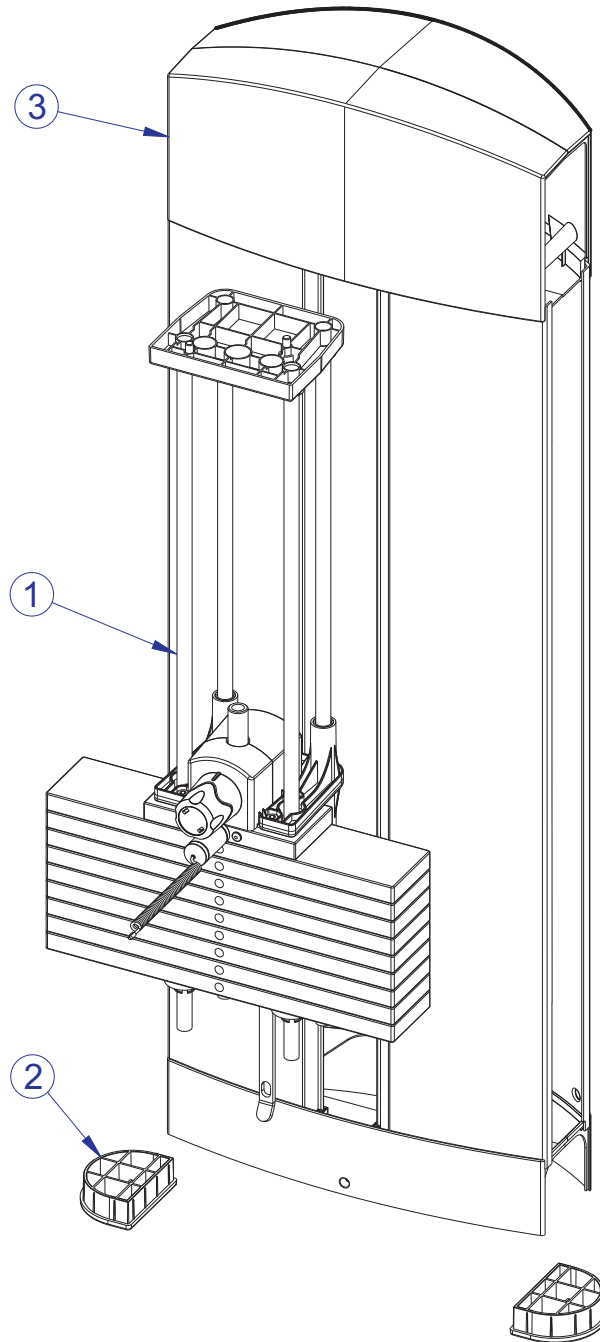


SEE PAGE 5 FOR LEGEND

FZTR TORSO ROTATION COMPONENT ASSEMBLY LEGEND

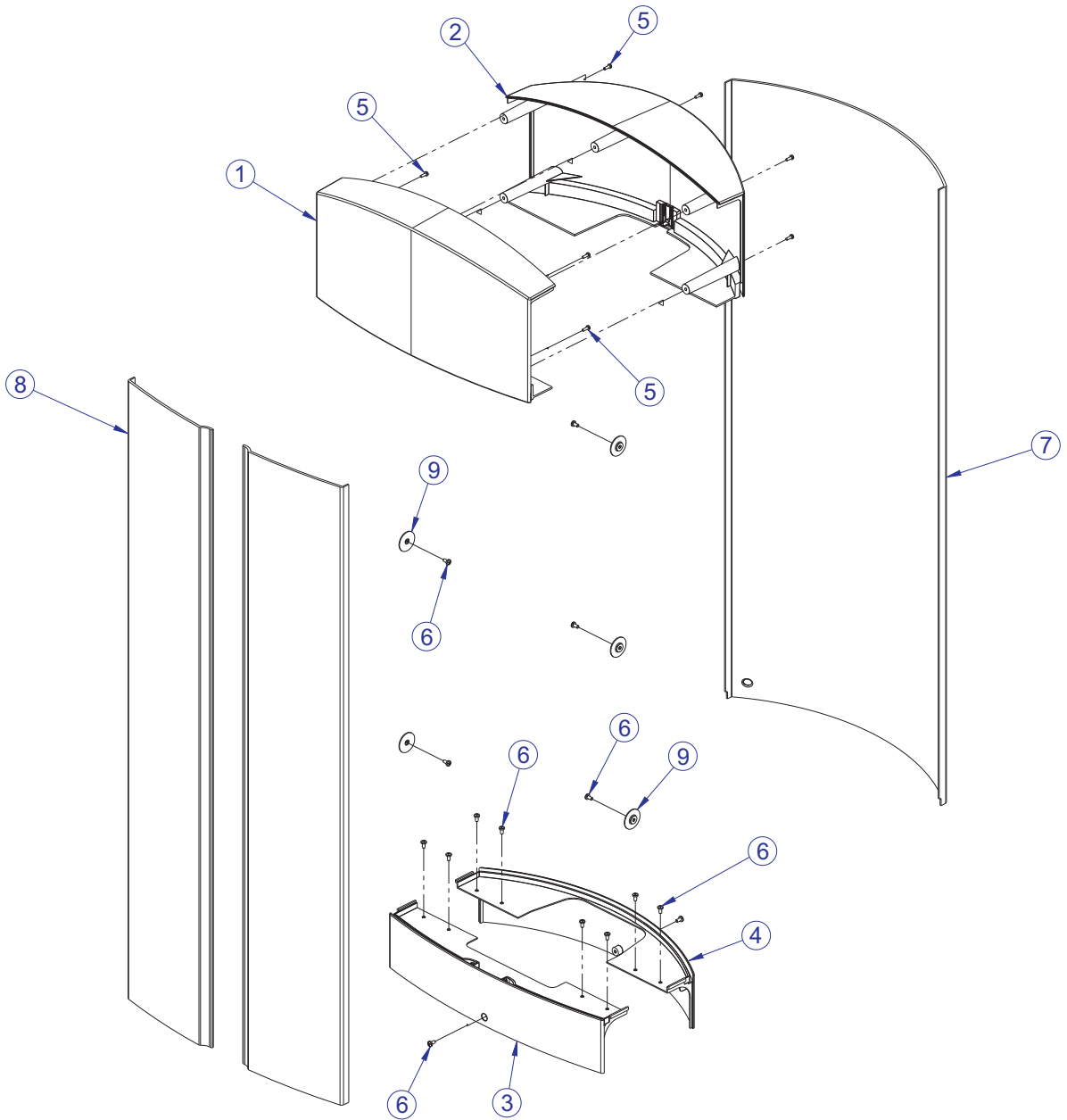
ITEM NO.	QTY.	PART NO.	DESCRIPTION	ITEM NO.	QTY.	PART NO.	DESCRIPTION
1	1	7685201	WLDMT, FZTR FRAME	45	2	3235601	BEARING, 6205 BALL
2	4	3243201	BEARING, 6007 BALL	46	1	7686901	SHAFT, BEARING
3	1	7685501	WLDMT, FZTR PIVOT SHAFT	47	3	7407201	PLATE, .25 X 2 4-BAR
4	2	7511501	SPACER, FZ/PS INTERNAL .403	48	53	3236601	WASHER, 3/8 SAE SS
5	1	7775201	CAM, FZTR-MOLDED	49	4	3251204	SCREW, M10 X1.5 X 35MM HEX ST ZN
6	1	7763501	PLATE, CAM INDEX	50	25	3236202	SCREW, M10 X1.5 25MM
7	1	7685301	WLDMT, FZTR KNEE SUPPORT	51	2	3236206	SCREW, M10 X1.5 45MM
8	5	3237801	PULLEY, 4.5" OD	52	13	3236801	NUT, M10 HEX NYLOCK SS
9	1	8104501	COVER, PULLEY-BOLTED NOTCHED	53	4	3251202	SCREW, M10 X1.5 X 25MM HEX ST ZN
10	1	7318201	PLATE, PULLEY	54	7	3236208	SCREW, M10 X1.5 55MM
11	1	7700501	WLDMT, FZTR SHOULDER SUPPORT	55	4	3238601	M10X1.5 THREADED INSERT (HEX)
12	1	7685401	WLDMT, FZTR, 4-BAR INDEX	56	4	3236201	SCREW, M10 X1.5 20MM
13	1	3235701	SPRING, GAS 150N	57	1	6757701	CLIP, CABLE 2-7/8 X 1 X 1
14	2	73933XX	PAD, ARM REST	58	1	7625901	ASSY, MID TOWER-9, SHORT
15	2	7414301	STUD, M10 BALL END M10 X 1.5	59	4	3245601	BEARING, LINEAR 1" ID
16	1	3237901	ROD END, METRIC FEMALE	60	4	3202601	RET RING, INT 1-3/4 DIA X1/16
17	2	7690201	BUMPER, SLEEVE - 1.125 INCH DIA	61	2	7702101	BUSHING, .750 OD X .500 ID X .500
18	4	7333801	CAP, SMALL FLOV- END	62	2	3236803	NUT, M12 HEX NYLOCK SS
19	1	7600102	PIN, PULL X 4.88	63	2	3241309	SCREW, M12 X1.75 60MM
20	1	7324802	SHAFT, TAPPED 0.75 DIA X 1.800	64	2	7351501	SPRING; PULL PIN LARGE
21	1	7700495	WLDMT, FZTR ADJ. HANDLE	65	1	3110010	ROLL PIN, 1/8 X 7/8
22	2	3104901	.75" ID 1.00" OD BRONZE BUSHING	66	2	3236701	WASHER, FENDER 3/8" ID X 1.5" OD SS
23	1	3110011	ROLL PIN, 3/16 X 1-1/4	67	1	3236209	SCREW, M10 X1.5 60MM
24	1	7287901	HANDLE, ADJUSTER	68	1	3236902	NUT, M16 X 2 HEX JAM SS
25	2	7334001	FOOT, 2.50 X 4.49 FLOV	69	1	7821101	BRKT, SELECTOR
26	4	7324902	SHAFT, TAPPED 1 DIA X 5.330	70	4	7713801	BUMPER, 1.00 IDX1.88 ODX.25
27	8	3104903	1.00" ID 1.25" OD BRONZ BUSHING	71	1	7714601	LABEL, FZTR PLACARD
28	1	7425102	PIN, PULL X 6.75	72	1	7509101	LABEL, FZTR PLACARD
29	1	7424801	KNOB, POP PIN	73	1	7422004	LABEL, 2" ASTM WARN
30	1	80315XX	PAD, LARGE CHAIR, FZTR	74	1	7423614	CABLE, M16TP, M10TS
31	2	74743XX	PAD, HEAD REST	75	1	3236901	NUT, M10 X 1.5 JAM
32	8	7333901	CAP, LARGE FLOV- END	76	1	7422003	LABEL, MOVING PARTS
33	1	7690001	BLOCK, LINEAR SLIDE	77	1	7571301	LABEL, SERIAL NUMBER
34	2	3235801	GRIP, SHADOW GRAY, 5.00"	78	2	3232420	RING, BRE .926, 5100-98 ST PP B
35	2	7662801	RING, GRIP 1.25 OD	79	2	7767901	LABEL, FACE FORWARD
36	2	7662901	CAP, GRIP 1.25 OD	80	1	7853601	LABEL, FZTR 1-9
37	1	8102901	COVER, PULLEY-BOLTED FULL	81	1	7801601	LABEL, FZTR CAM ADJ - RIGHT
38	2	8094101	COVER, PULLEY-BOLTED PARTIAL	82	1	7801701	LABEL, FZTR CAM ADJ - LEFT
39	2	7326201	CAP, D-TUBE - TOP	83	4	3254703	NUT, M10 X 1.5 HEX ZINC
40	2	7340201	COVER, FOOT - STRAIGHT	84	1	7335401	NUT, M10 X 1.5 SOCKET HEAD
41	10	3237403	PLUG, 1" HOLE	85	1	3236207	SCREW, M10 X1.5 50MM
42	1	7687001	BRKT, LINEAR SLIDE PULLEY	86	3	7630101	RETAINER, CM/MJ, PULLEY
43	1	7686801	BRKT, CAM FOLLOWER	87	1	80314XX	WEAR COVER, PAD, FZTR, LEFT
44	2	7702401	GUIDE ROD, FZTR LINEAR	88	1	80313XX	WEAR COVER, PAD, FZTR, RIGHT

FZTR TORSO ROTATION MID-9 SHORT TOWER ASSEMBLY - 7625901



ITEM NO.	QTY.	PART NO.	DESCRIPTION
1	1	7626001	ASSY, WEIGHT STACK MID-9, SHORT
2	2	7326301	CAP, D-TUBE - BOTTOM
3	1	7419801	ASSY, TOWER PLASTICS - MID

FZTR TORSO ROTATION PLASTIC TOWER ASSEMBLY - 7419801

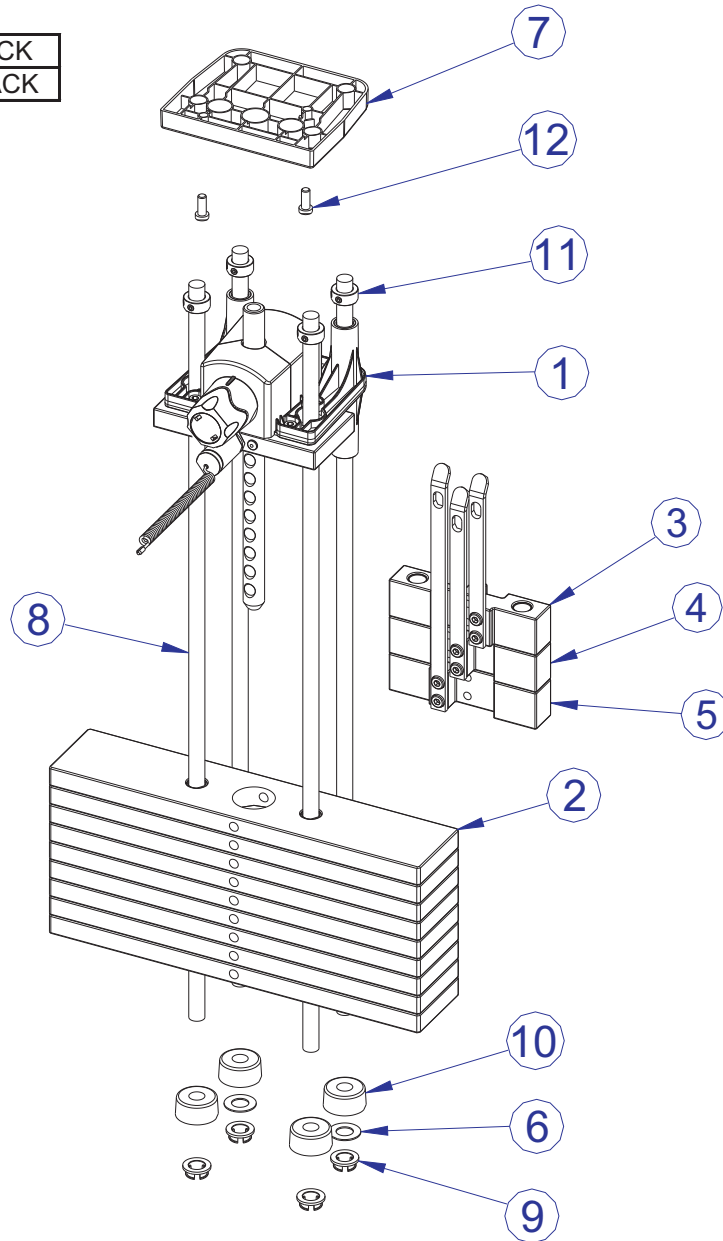


ITEM NO.	QTY.	PART NO.	DESCRIPTION
1	1	7318601	COVER, TOWER- TOP FRONT
2	1	7318701	COVER, TOWER- TOP REAR
3	1	7318801	COVER, TOWER- BOTTOM FRONT
4	1	7318901	COVER, TOWER- BOTTOM REAR
5	9	3236501	M4 X 0.7 PHL PAN MS ST ZN
6	16	3239101	SCREW, M5X10 PHL PAN TT ST
7	1	7765701	SHROUD, TOWER- REAR SHORT
8	2	7765601	SHROUD, TOWER- FRT SHORT RH
9	6	7583501	RETAINER, FZ SHROUD

FZTR TORSO ROTATION MID-9 SHORT WEIGHT STACK ASSEMBLY - 7626001

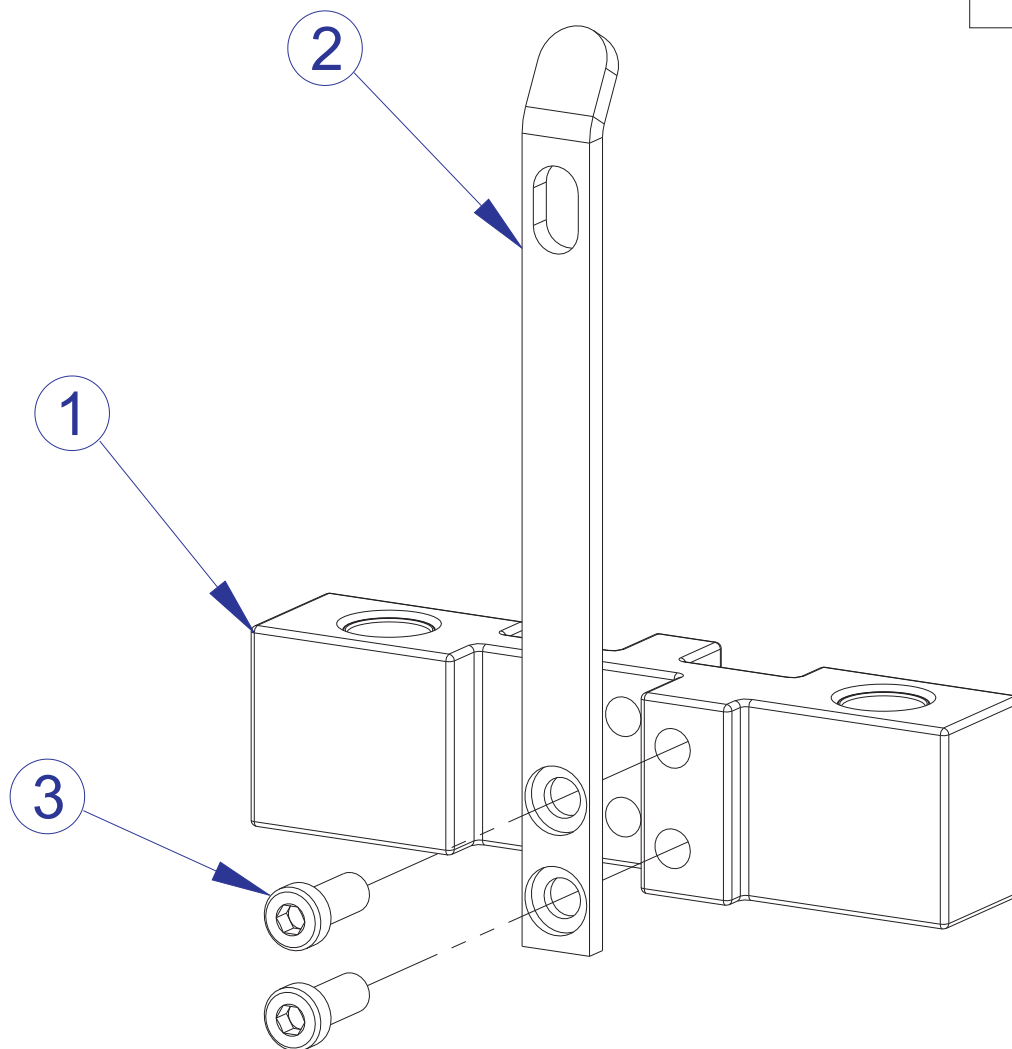
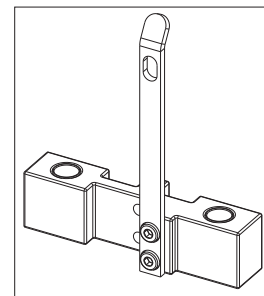
WEIGHT STACK LABELS

7927201	LABEL, 390 LB STACK
7927301	LABEL, 195 KG STACK



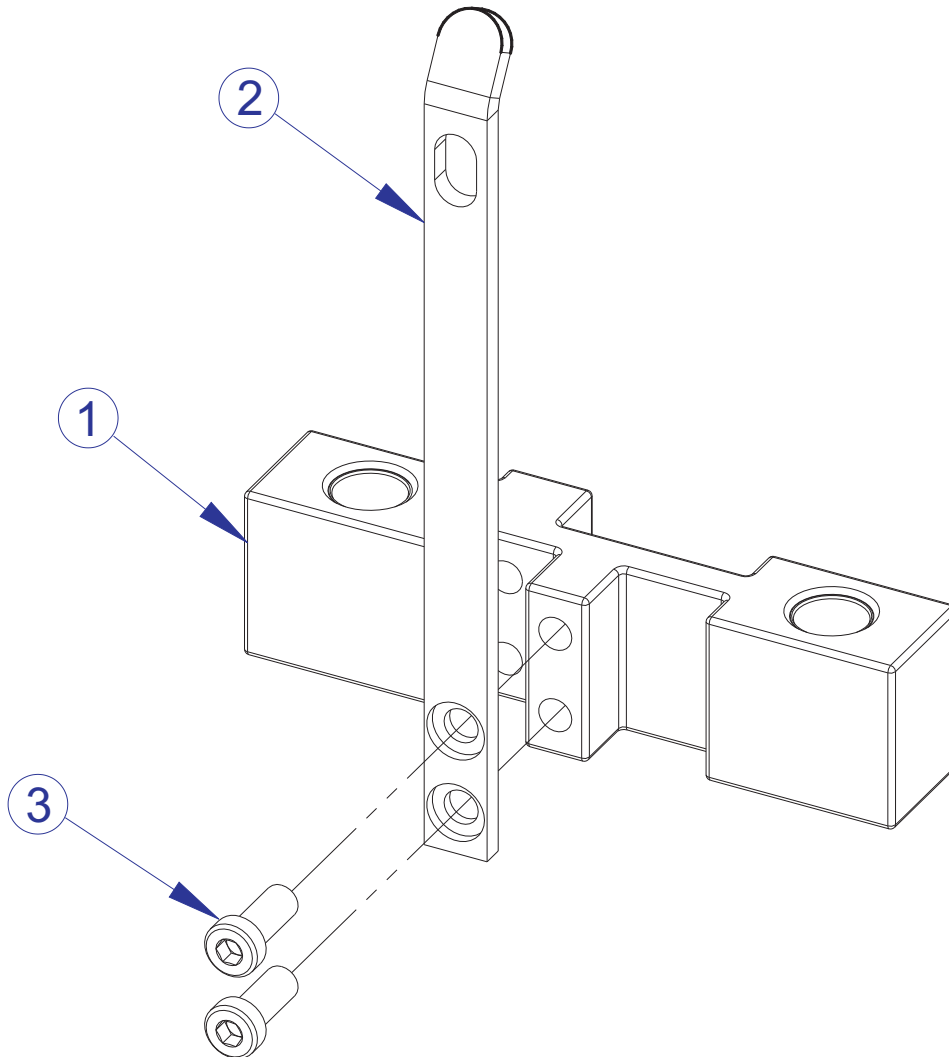
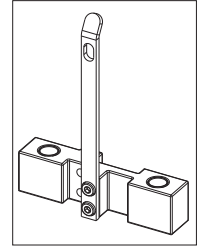
ITEM NO.	QTY.	PART NO.	DESCRIPTION
1	1	7350601	ASSY, HEAD PLATE (9)
2	9	7328401	WEIGHT PLATE, 20 LB
3	1	7327601	ASSY, INCREMENT WT - 5LB
4	1	7327701	ASSY, INCREMENT WT - 10LB
5	1	7327801	ASSY, INCREMENT WT - 15LB
6	2	7351001	SPACER, INC WT STACK
7	1	7621101	RETAINER, GUIDE ROD - TOP
8	4	7328610	GUIDE ROD, .75 OD SOLID 39.75
9	4	7337901	BUSHING, GUIDE ROD
10	4	7352101	CUSHION, WEIGHT STACK
11	4	3103301	SHAFT COLLAR, 3/4 I.D. ZINC
12	2	3236202	SCREW, M10 X1.5 25MM

FZTR TORSO ROTATION 5 LB. INCREMENT WEIGHT ASSEMBLY - 7327601



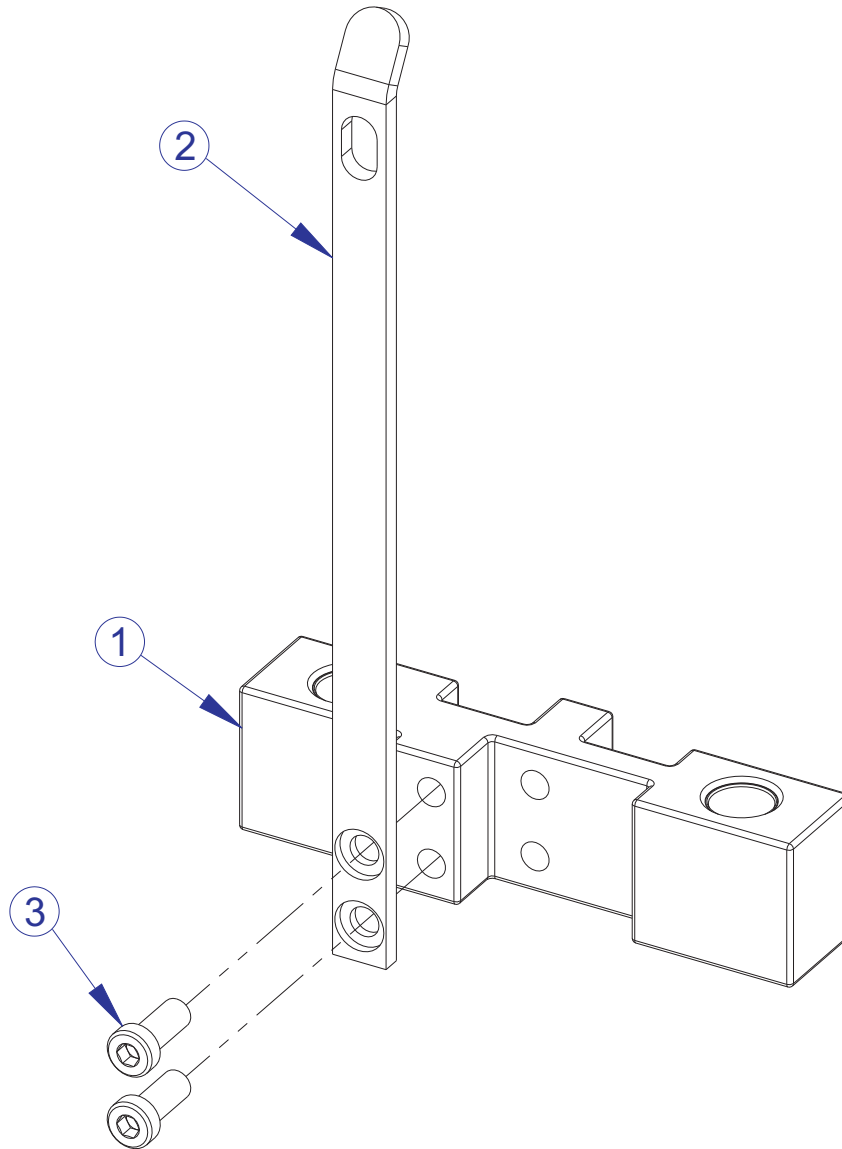
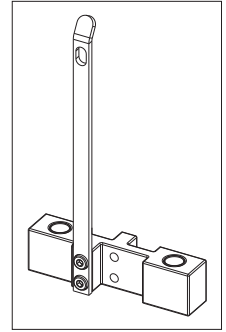
ITEM NO.	QTY.	PART NO.	DESCRIPTION
1	1	7968501	ASSY, FZ INC WEIGHT 5LB
2	1	7328001	BRKT, INCREMENT WT - 5 LB
3	2	3236202	SCREW, M10 X1.5 25MM

FZTR TORSO ROTATION 10 LB. INCREMENT WEIGHT ASSEMBLY - 7327701



ITEM NO.	QTY.	PART NO.	DESCRIPTION
1	1	7968501	ASSY, FZ INC WEIGHT 5LB
2	1	7328101	BRKT, INCREMENT WT - 10 LB
3	2	3236202	SCREW, M10 X1.5 25MM

FZTR TORSO ROTATION 15 LB. INCREMENT WEIGHT ASSEMBLY - 7327801

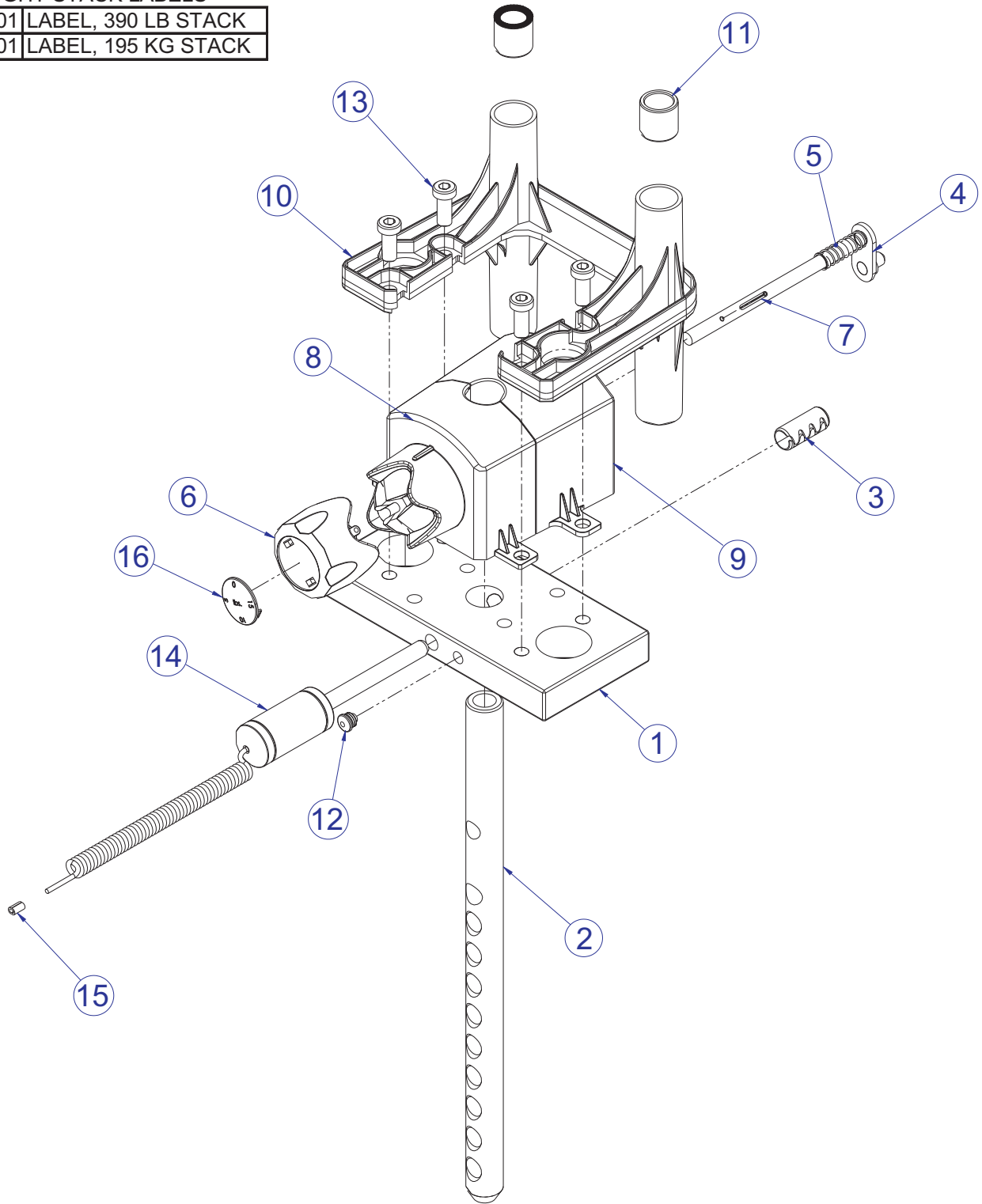


ITEM NO.	QTY.	PART NO.	DESCRIPTION
1	1	7968501	ASSY, FZ INC WEIGHT 5LB
2	1	7328201	BRKT, INCREMENT WT - 15 LB
3	2	3236202	SCREW, M10 X1.5 25MM

FZTR TORSO ROTATION HEAD PLATE ASSEMBLY - 7350601

WEIGHT STACK LABELS

7927201	LABEL, 390 LB STACK
7927301	LABEL, 195 KG STACK



SEE PAGE 13 FOR LEGEND

FZTR TORSO ROTATION HEAD PLATE ASSEMBLY LEGEND

ITEM NO.	QTY.	PART NO.	DESCRIPTION
1	1	7326701	HEAD PLATE
2	1	7347801	STEM, 9 PLATE
3	1	3236001	BUSHING, SPRING PIN
4	1	7327201	WLDMT, INCREMENT WT PIN
5	1	8024501	SPRING, 1/2 OD X 1-1/2
6	1	7326101	KNOB, INC WT SELECTOR
7	1	3110008	ROLL PIN, 1/8 X 1-1/4
8	1	7326401	HOUSING, SELECTOR - FRONT
9	1	7326501	HOUSING, SELECTOR - REAR
10	1	7362101	STABILIZER, HEAD PLATE
11	4	7459601	BUSHING, HEAD PLT STABILIZER
12	1	7356501	PLUG, LANYARD ATTACHMENT
13	4	3236202	SCREW, M10 X1.5 25MM
14	1	7338101	ASSY, WT STACK SELECTOR PIN
15	1	7523601	CRIMP, CABLE
16	1	7398601	CAP, SELECTOR KNOB, LBS
	OR		
	1	7398701	CAP, SELECTOR KNOB, KG

FZTR TORSO ROTATION IMAGE



Free Manuals Download Website

<http://myh66.com>

<http://usermanuals.us>

<http://www.somanuals.com>

<http://www.4manuals.cc>

<http://www.manual-lib.com>

<http://www.404manual.com>

<http://www.luxmanual.com>

<http://aubethermostatmanual.com>

Golf course search by state

<http://golfingnear.com>

Email search by domain

<http://emailbydomain.com>

Auto manuals search

<http://auto.somanuals.com>

TV manuals search

<http://tv.somanuals.com>