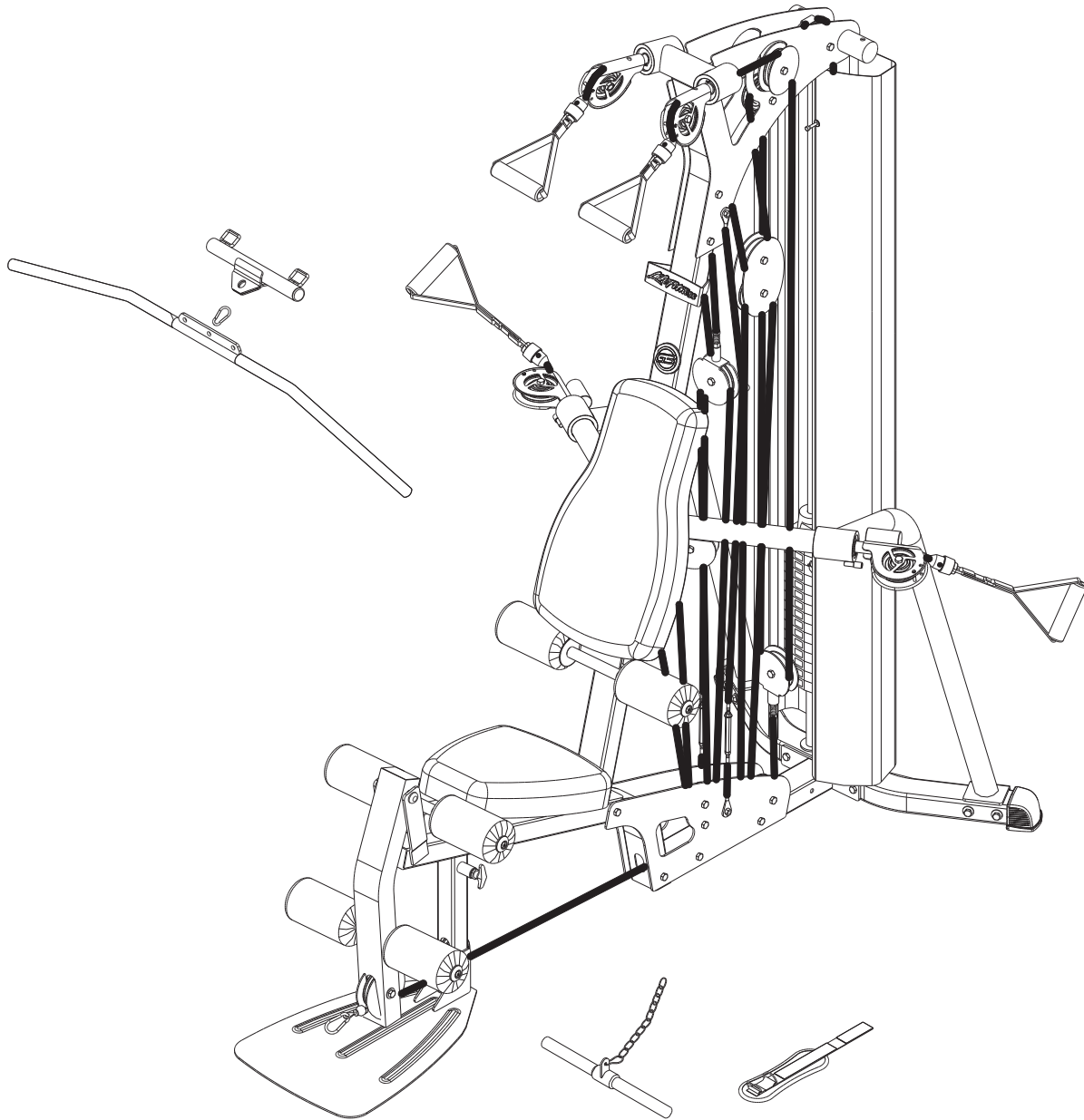




G3-001
G3 HOME GYM

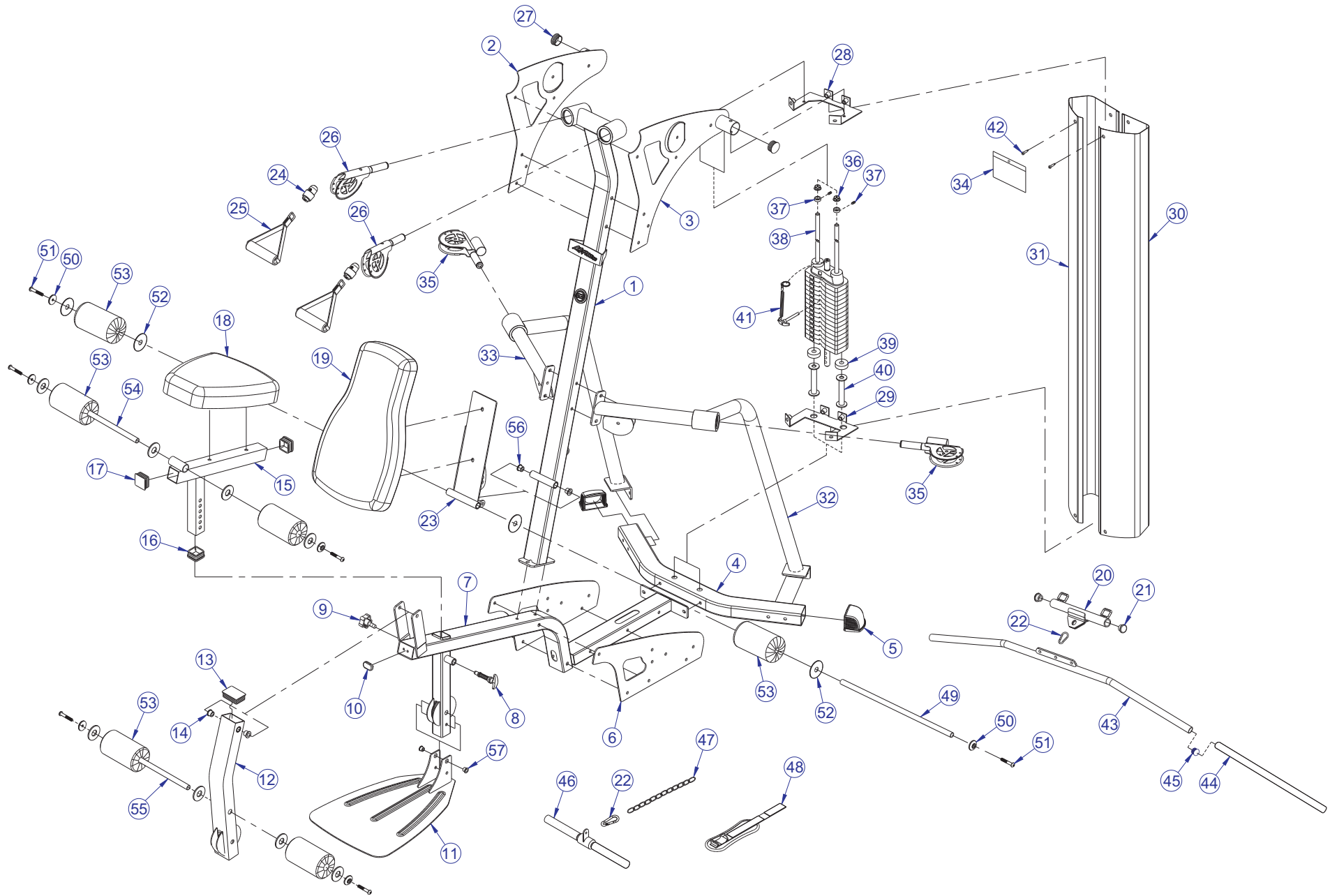


Customer Support Services
PARTS MANUAL

G3-001 G3 HOME GYM CONTENTS

	PAGE
COMPONENT ASSEMBLY I	3
COMPONENT ASSEMBLY I LEGEND	4
COMPONENT ASSEMBLY II	5
COMPONENT ASSEMBLY II LEGEND	6
COMPONENT ASSEMBLY III	7
COMPONENT ASSEMBLY IV	8
COMPONENT ASSEMBLY V	9
COMPONENT ASSEMBLY V LEGEND	10
WEIGHT STACK CABLE	11
BOOM CABLE	12
LEG CABLE	13
ARM CABLE	14
FRONT GUIDE CABLES	15
REAR GUIDE CABLES	16
WEIGHT STACK ASSEMBLY	17
SUPPLIED ACCESSORIES	18
HARDWARE BAG	19

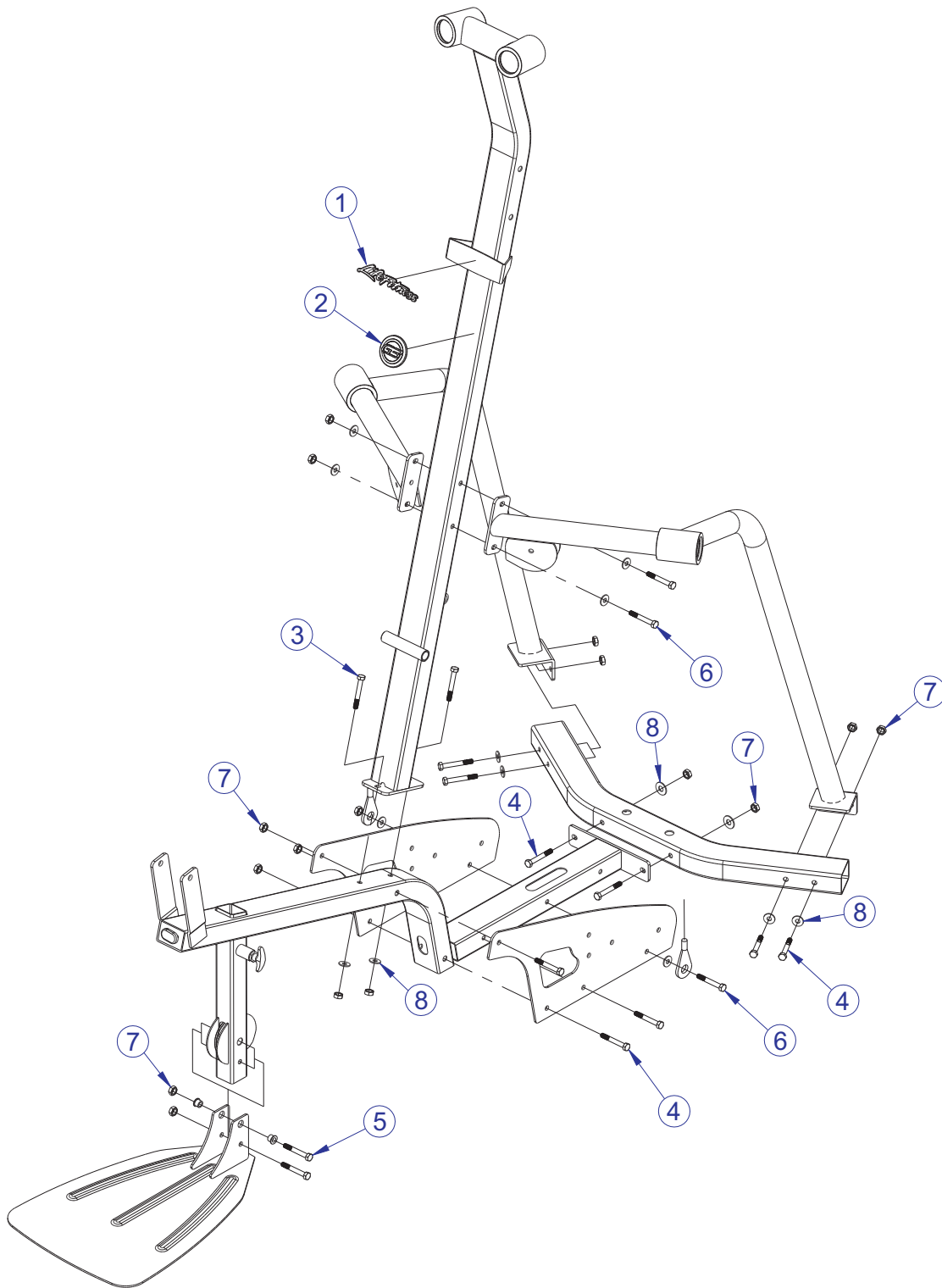
G3-001 G3 HOME GYM COMPONENT ASSEMBLY I



G3-001 G3 HOME GYM COMPONENT ASSEMBLY I LEGEND

ITEM NO.	QTY.	PART NO.	DESCRIPTION
1	1	8578301	ASSY, UPRIGHT
2	1	8579001	ASSY, LEFT BOOM PLATE
3	1	8578701	ASSY, RIGHT BOOM PLATE
4	1	8580701	ASSY, STACK BASE
5	2	8593601	FOOT, CAP
6	2	8594901	BASE PLATE
7	1	8580201	ASSY, FRONT BASE
8	1	8582001	T-HANDLE SPRING PIN
9	1	8610001	BUMPER
10	1	8580401	KNOB, SEAT ADJUSTER
11	1	8587801	WLDMT, FOOT PLATE
12	1	8577801	ASSY, LEG PEDESTAL
13	1	8582201	CAP, END 75 X 50
14	2	6020601	BEARING, FLG 1/2 ID X 5/8 OD X .750
15	1	8585201	ASSY, SEAT ADJUST
16	1	8585401	CAP, END 2 SQ
17	2	8585001	CAP, END 1-3/4
18	1	8594301	PAD, CONSUMER, SEAT
19	1	8594201	PAD, CONSUMER, BACK
20	1	8596301	ASSY, ACCESSORY BAR
21	2	8596201	ROUND END CAP, 25.4 DIA
22	2	3103801	LINK, SNAP 5/16 DIA
23	1	8595001	WLDMT, BACK PAD ADJ
24	4	7872601	ASSY, QUICK CONNECT
25	2	7016902	1 RING HANDLE, 5-1/2 X 14-1/2
26	2	8578601	ASSY, SWIVEL PULLEY
27	2	8578501	CAP, END DIA 50.8
28	1	8595501	PTD ASSY, SHROUD BRKT - TOP
29	1	8595601	PTD ASSY, SHROUD BRKT - BOTTOM
30	1	8589001	SHROUD, LEFT
31	1	8588901	SHROUD, RIGHT
32	1	8594401	ASSY, LEFT ARM
33	1	8579301	ASSY, RIGHT ARM
34	1	8600301	EXERCISE CARDS, G3
35	2	8594701	ASSY, MID SWIVEL PULLEY
36	2	8579201	SOCKET BUSHING
37	2	3103302	SHAFT COLLAR, 13/16 ID ZINC
38	2	6816501	GUIDE ROD, 3/4 DIA X 76
39	2	3108002	CUSHION, WEIGHT STACK 3/4 ID
40	2	8588601	WLDMT, WEIGHT STACK SPACER
41	1	8587601	WEIGHT STACK PIN
42	2	8604201	MAGNET, CARD HOLDER
43	1	8601001	ASSY, LAT BAR
44	2	8583101	GRIP, ROW BAR
45	2	3119304	CAP, END 1 DIA RD 10-12GA
46	1	8588301	ASSY, LOW ROW BAR
47	1	6075906	CHAIN, 12 LINK
48	1	6409101	STRAP, ANKLE STANDARD
49	1	7316203	3/4 X 21 TUBE
50	6	8598001	AL CAP, ROLLER PAD END
51	6	3268301	CAP SCREW, BTN HD 3/8-16 BO
52	12	8584201	WASHER, PLASTIC
53	6	8578401	PAD, ROLLER
54	1	7316202	3/4 X 18-7/8 TUBE
55	1	7316201	3/4 X 17-7/8 TUBE
56	2	6020601	BEARING, FLG 1/2 ID X 5/8 OD X .750
57	2	3268001	SPACER, FLANGE 3/8 X 3/4

G3-001 G3 HOME GYM COMPONENT ASSEMBLY II

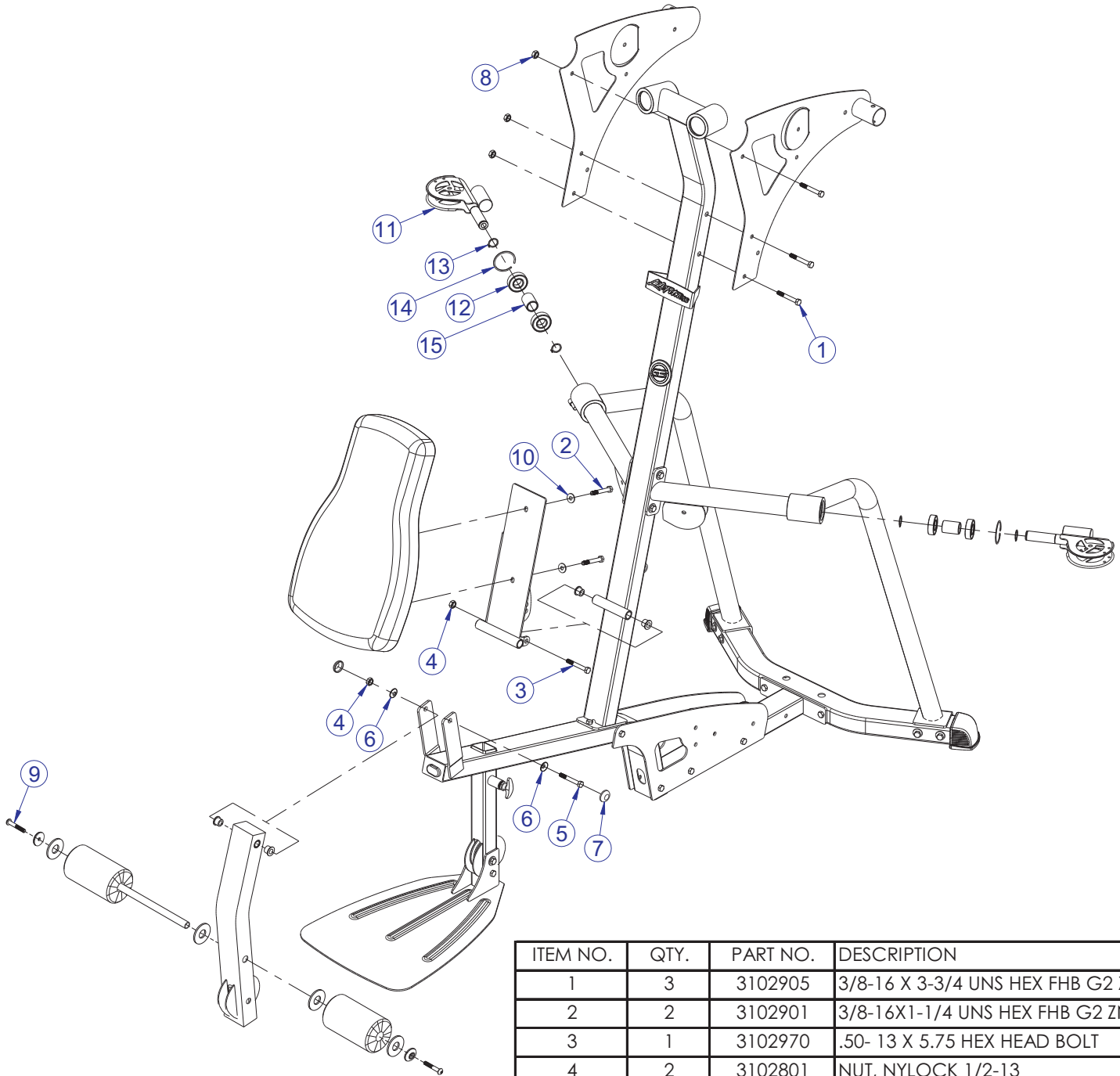


LEGEND ON PAGE 6

G3-001 G3 HOME GYM COMPONENT ASSEMBLY II LEGEND

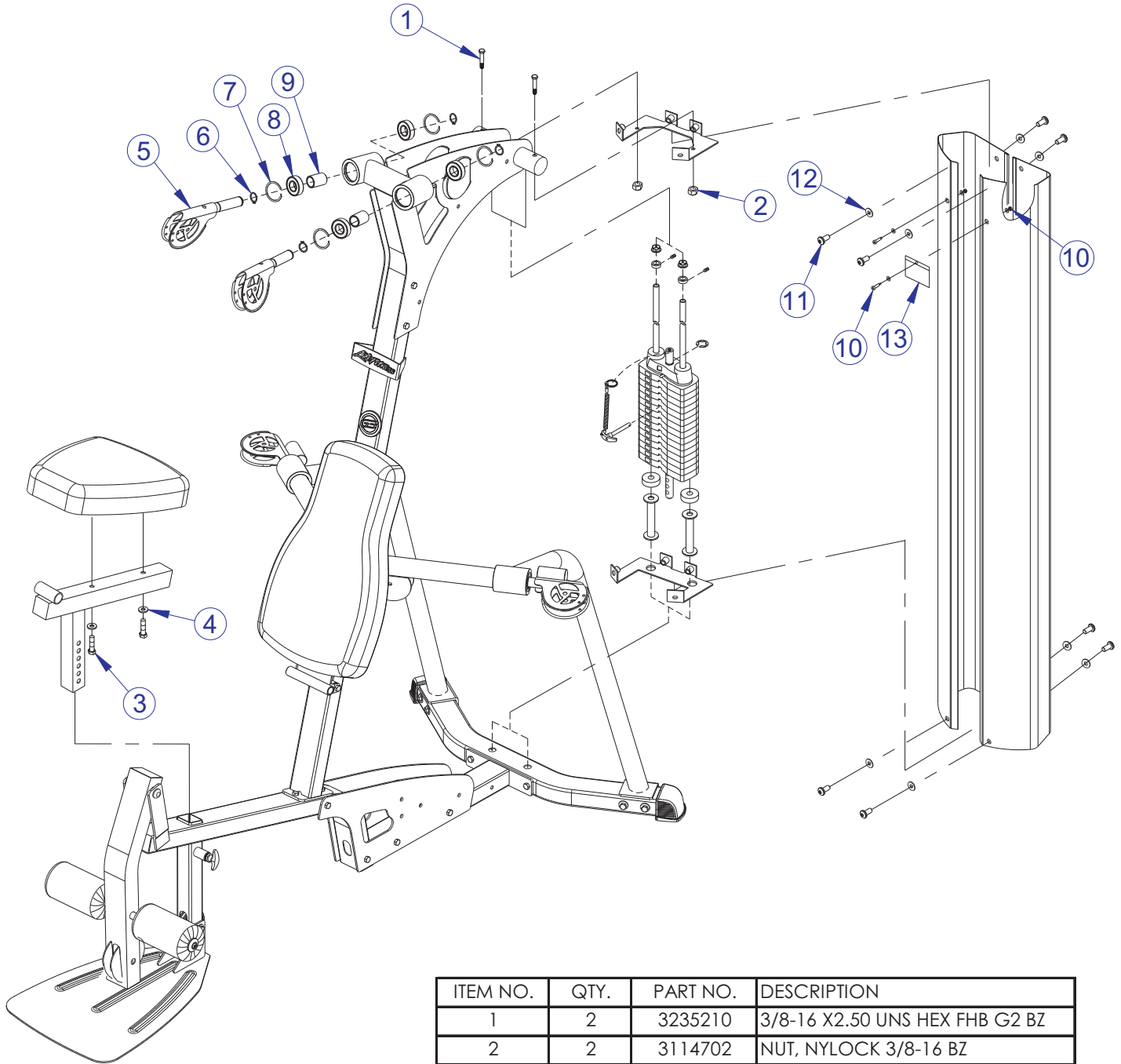
ITEM NO.	QTY.	PART NO.	DESCRIPTION
1	1	8580601	LABEL, LF LOGO 6.63
2	1	8580501	BADGE, G3
3	2	3102922	3/8-16X2-3/4 UNS HEX FHB G2 ZN
4	9	3102905	3/8-16 X 3-3/4 UNS HEX FHB G2 ZN
5	2	3102904	3/8-16X3 UNS HEX FHB G2 ZN
6	3	3102955	3/8-16X4-1/4 UNS HEX FHB G2 ZN
7	16	3102802	VMI NUT, NYLOCK 3/8-16
8	14	3102514	WASHER, FLAT 3/8 IN SAE ST ZN

G3-001 G3 HOME GYM COMPONENT ASSEMBLY III



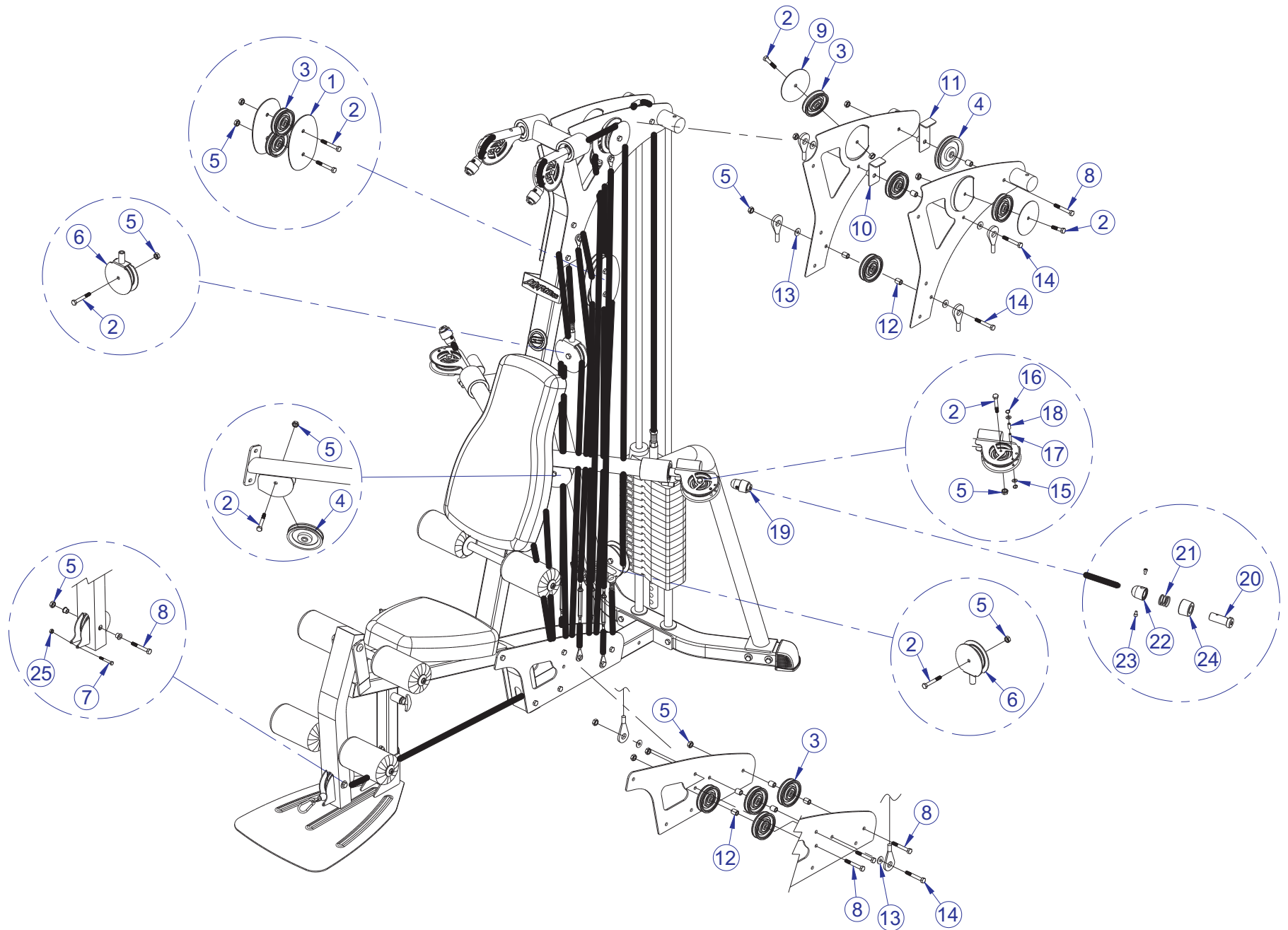
ITEM NO.	QTY.	PART NO.	DESCRIPTION
1	3	3102905	3/8-16 X 3-3/4 UNS HEX FHB G2 ZN
2	2	3102901	3/8-16X1-1/4 UNS HEX FHB G2 ZN
3	1	3102970	.50- 13 X 5.75 HEX HEAD BOLT
4	2	3102801	NUT, NYLOCK 1/2-13
5	1	3102917	1/2-13X4 UNS HEX FHB G2 ZN
6	2	6866801	WASHER, RH 1/2 ID
7	2	8596001	CAP, RH
8	3	3102802	VMI NUT, NYLOCK 3/8-16
9	2	3268301	CAP SCREW, BTN HD 3/8-16 BO
10	2	3102514	WASHER, FLAT 3/8 IN SAE ST ZN
11	2	8594701	ASSY, MID SWIVEL PULLEY
12	4	3235601	BEARING, 6205 BALL
13	4	3232401	RNG, BRE .230,5100-25, ST,PP,B
14	2	8594801	SPIRAL RING, 52MM
15	2	7330006	SPACER, INTERNAL

G3-001 G3 HOME GYM COMPONENT ASSEMBLY IV



ITEM NO.	QTY.	PART NO.	DESCRIPTION
1	2	3235210	3/8-16 X2.50 UNS HEX FHB G2 BZ
2	2	3114702	NUT, NYLOCK 3/8-16 BZ
3	2	3102904	3/8-16X3 UNS HEX FHB G2 ZN
4	2	3102514	WASHER, FLAT 3/8 IN SAE ST ZN
5	2	8578601	ASSY, SWIVEL PULLEY
6	4	3232401	RNG, BRE .230,5100-25, ST,PP,B
7	4	8594801	SPIRAL RING, 52MM
8	4	3235601	BEARING, 6205 BALL
9	2	7330006	SPACER, INTERNAL
10	2	8604201	MAGNET, CARD HOLDER
11	8	3202401	3/8-16 X 1 HXS BUT CS G8 BO
12	8	3228501	WASHER, FLAT 3/8 ID SAE BZ
13	1	8600301	EXERCISE CARDS, G3

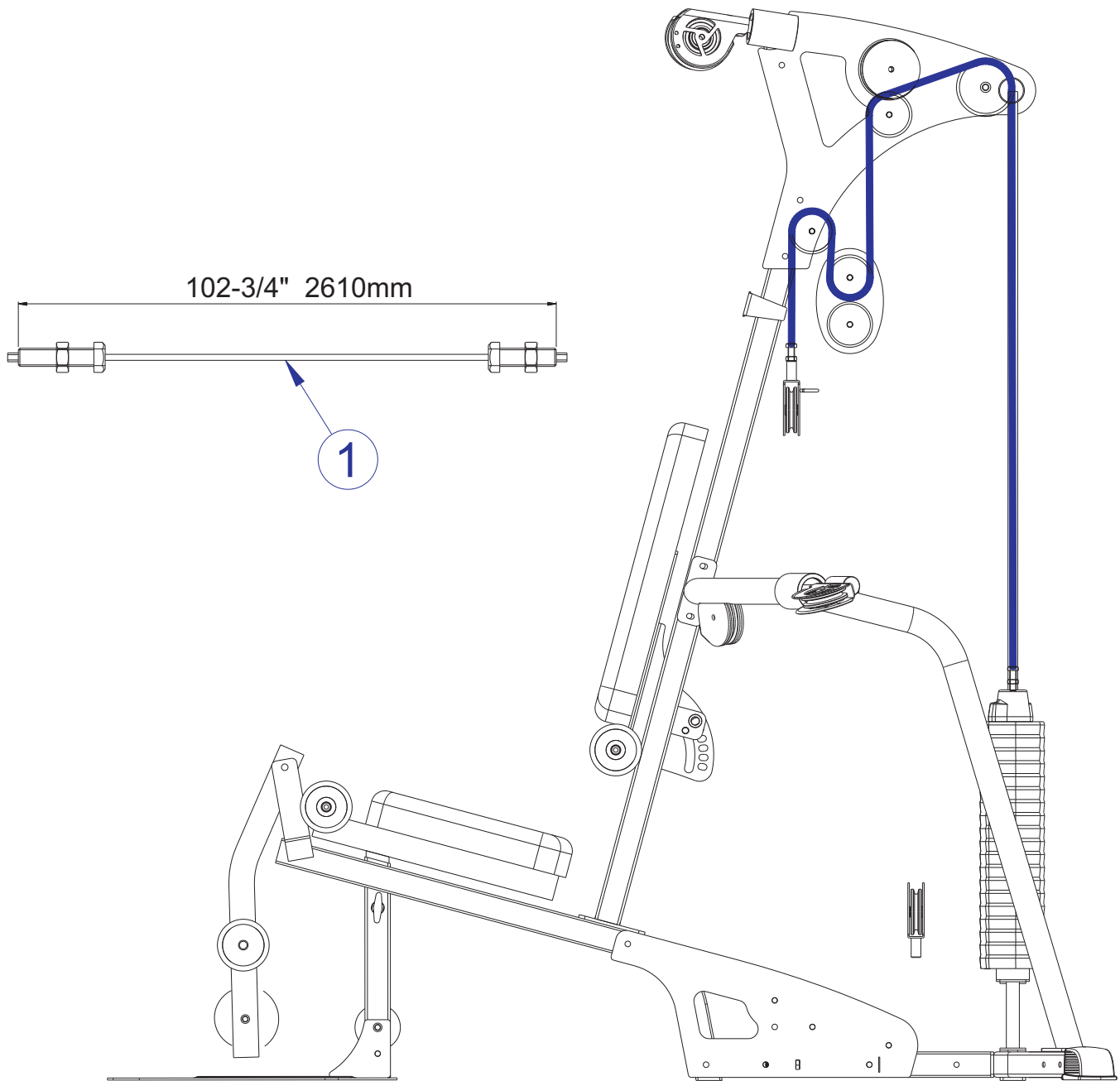
G3-001 G3 HOME GYM COMPONENT ASSEMBLY V



G3-001 G3 HOME GYM COMPONENT ASSEMBLY V LEGEND

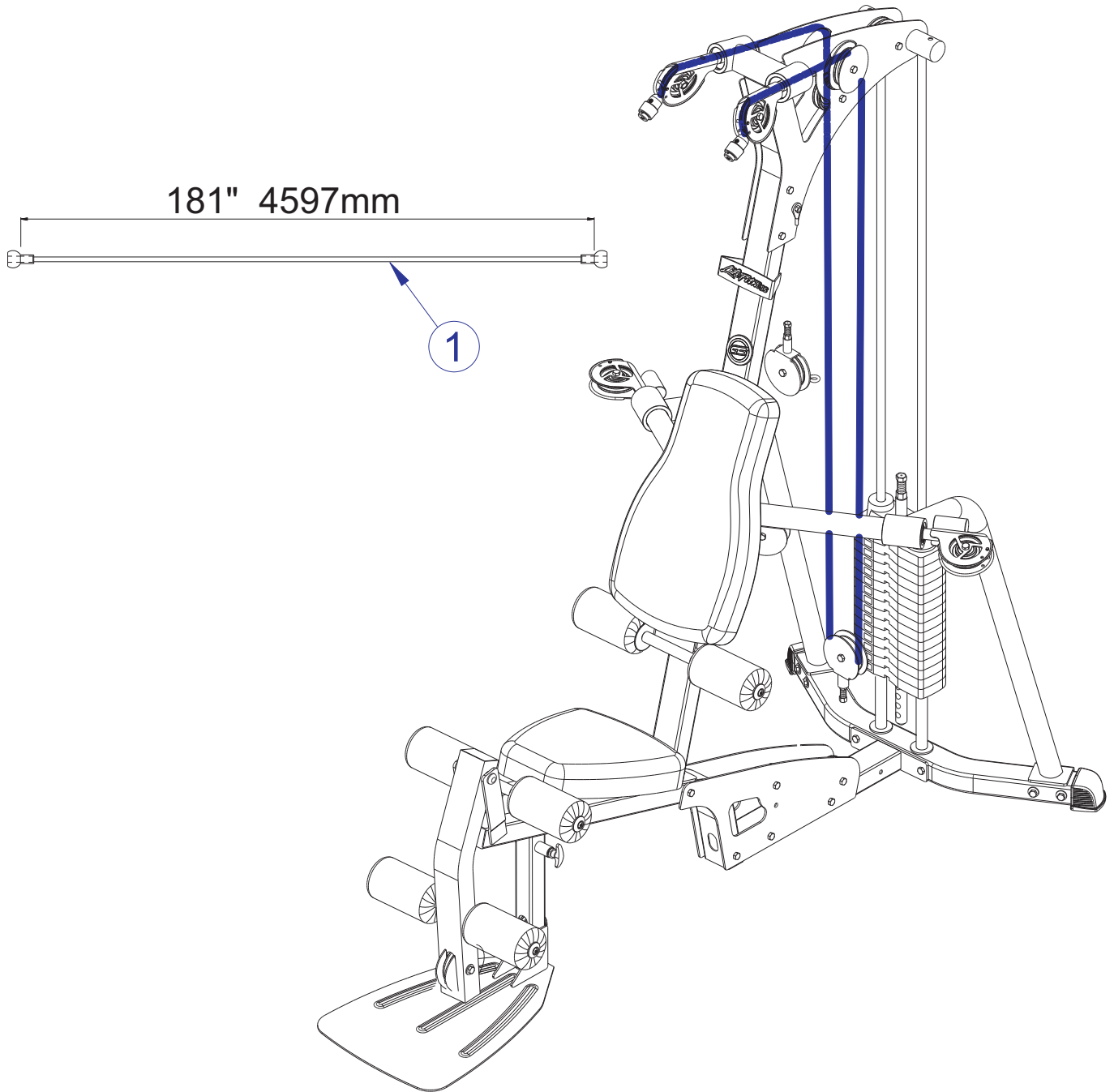
ITEM NO.	QTY.	PART NO.	DESCRIPTION
1	2	8595701	PLATE, DOUBLE PULLEY
2	7	3102924	3/8-16X1-3/4 UNS HEX FHB G2 ZN
3	10	3116201	PULLEY, 3-1/2 OD X 3/8 ID X 1
4	3	3116101	PULLEY, 4-1/2 OD X 3/8 ID X 1
5	16	3102802	VMI NUT, NYLOCK 3/8-16
6	2	8579701	WLDMT, FLOATING PULLEY
7	1	3223805	1/4-20 X 1-1/2 UNS HEX FHB G5 ZN
8	5	3102905	3/8-16 X 3-3/4 UNS HEX FHB G2 ZN
9	2	8578901	PLATE, PULLEY
10	1	8588801	3-1/2 CABLE GUARD
11	1	8595401	4-1/2 CABLE GUARD
12	9	8597702	SPACER, 3/8 X 1 LG
13	6	3102514	WASHER, FLAT 3/8 IN SAE ST ZN
14	3	3102955	3/8-16X4-1/4 UNS HEX FHB G2 ZN
15	2	3241801	WASHER, FLAT 6MM SS
16	2	3232401	RNG, BRE .230,5100-25, ST,PP,B
17	1	8594001	SHAFT, BALL STOP
18	1	8600501	PLASTIC, SLEEVE
19	4	7872601	ASSY, QUICK CONNECT
20	1	7726201	COUPLER, QUICK CONNECT
21	1	3249901	SPRING, COMPRESSION
22	1	7726401	HSNG, QUICK CONNECT
23	2	3250002	M5 X 0.8 X 8 HXS SOC CS ST BZ
24	1	7726301	SLEEVE, QUICK CONNECT
25	1	3102809	NUT, NYLOCK-JAM 1/4-20 ST ZN

G3-001 G3 HOME GYM WEIGHT STACK CABLE



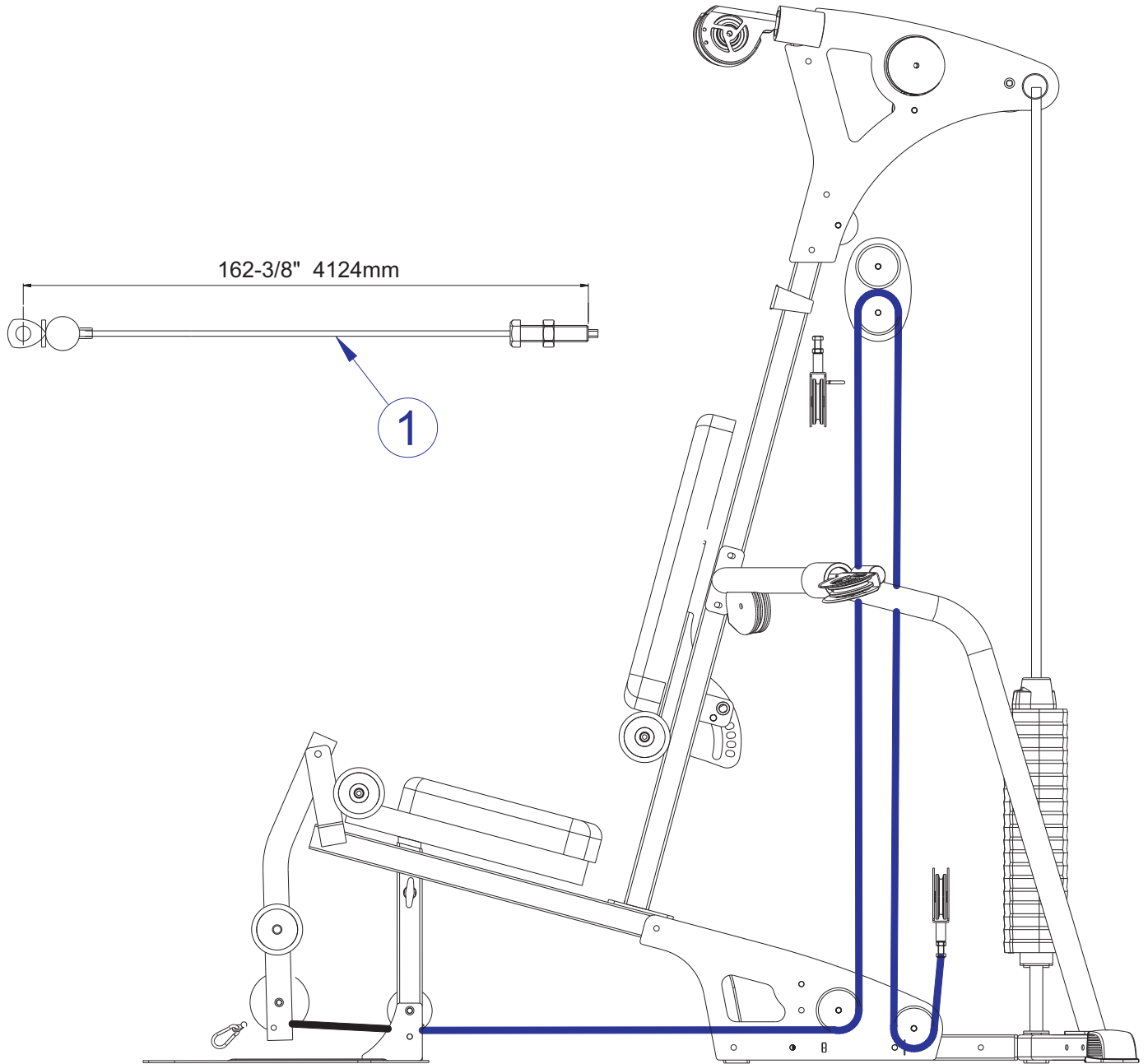
ITEM NO.	QTY.	PART NO.	DESCRIPTION
1	1	7155701	WEIGHT STACK CABLE,TP1-TP2,TI,104-3/8

G3-001 G3 HOME GYM BOOM CABLE



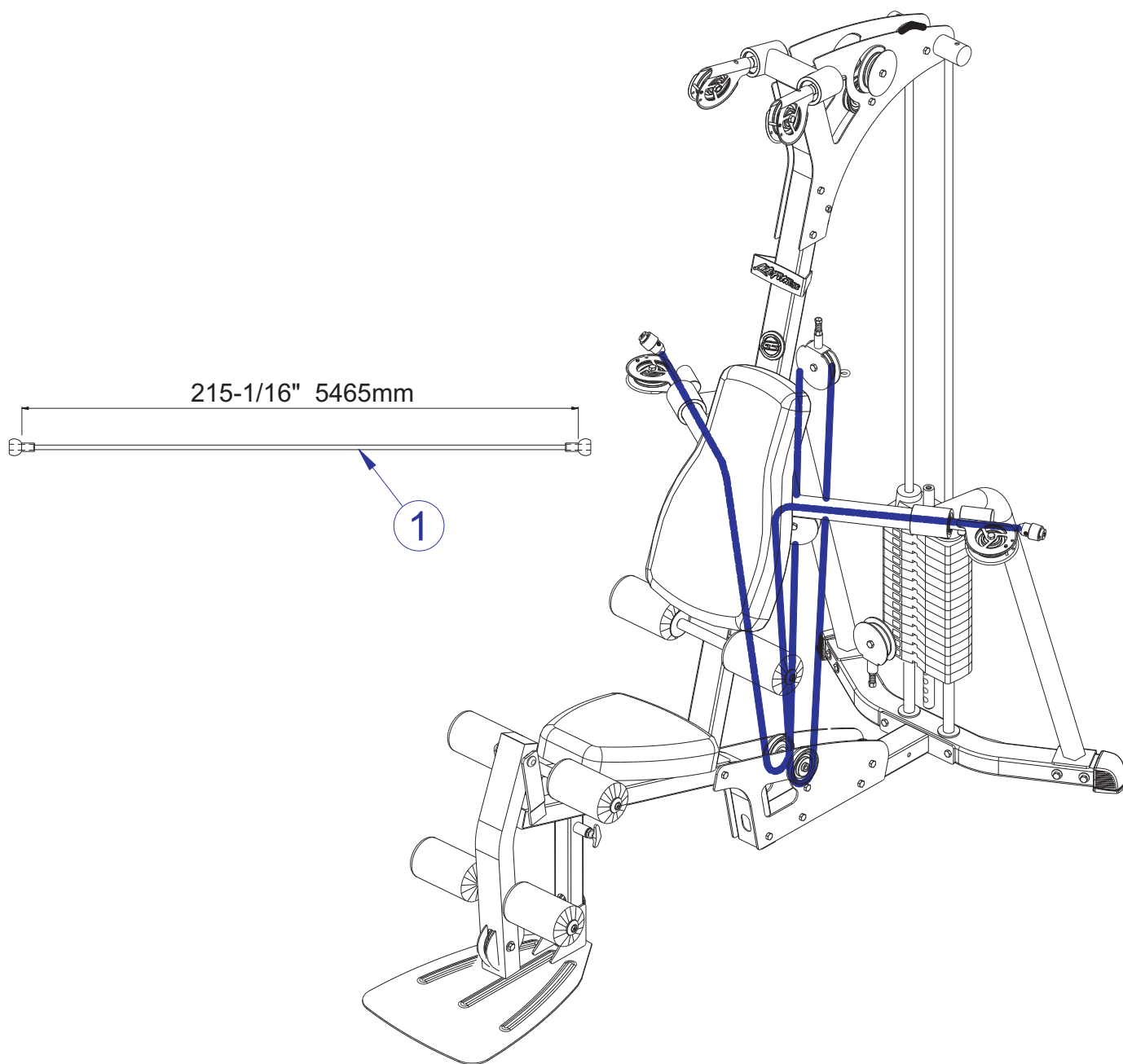
ITEM NO.	QTY.	PART NO.	DESCRIPTION
1	1	6988101	BOOM CABLE,SE,NB2-NB2,SE,T1,178-5/8

G3-001 G3 HOME GYM LEG CABLE



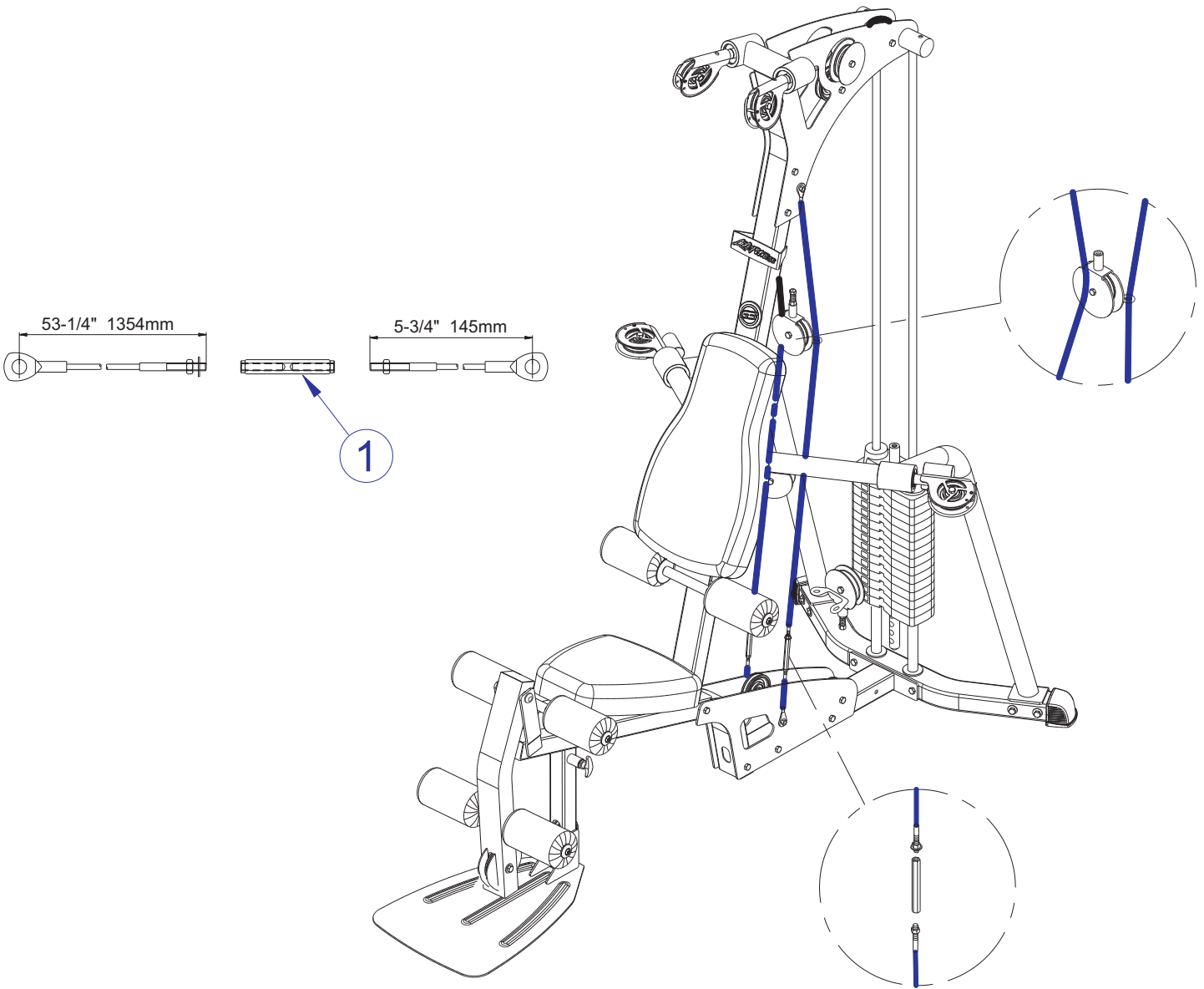
ITEM NO.	QTY.	PART NO.	DESCRIPTION
1	1	6987901	LEG CABLE,SE,NB2-TP2,T1,165

G3-001 G3 HOME GYM ARM CABLE



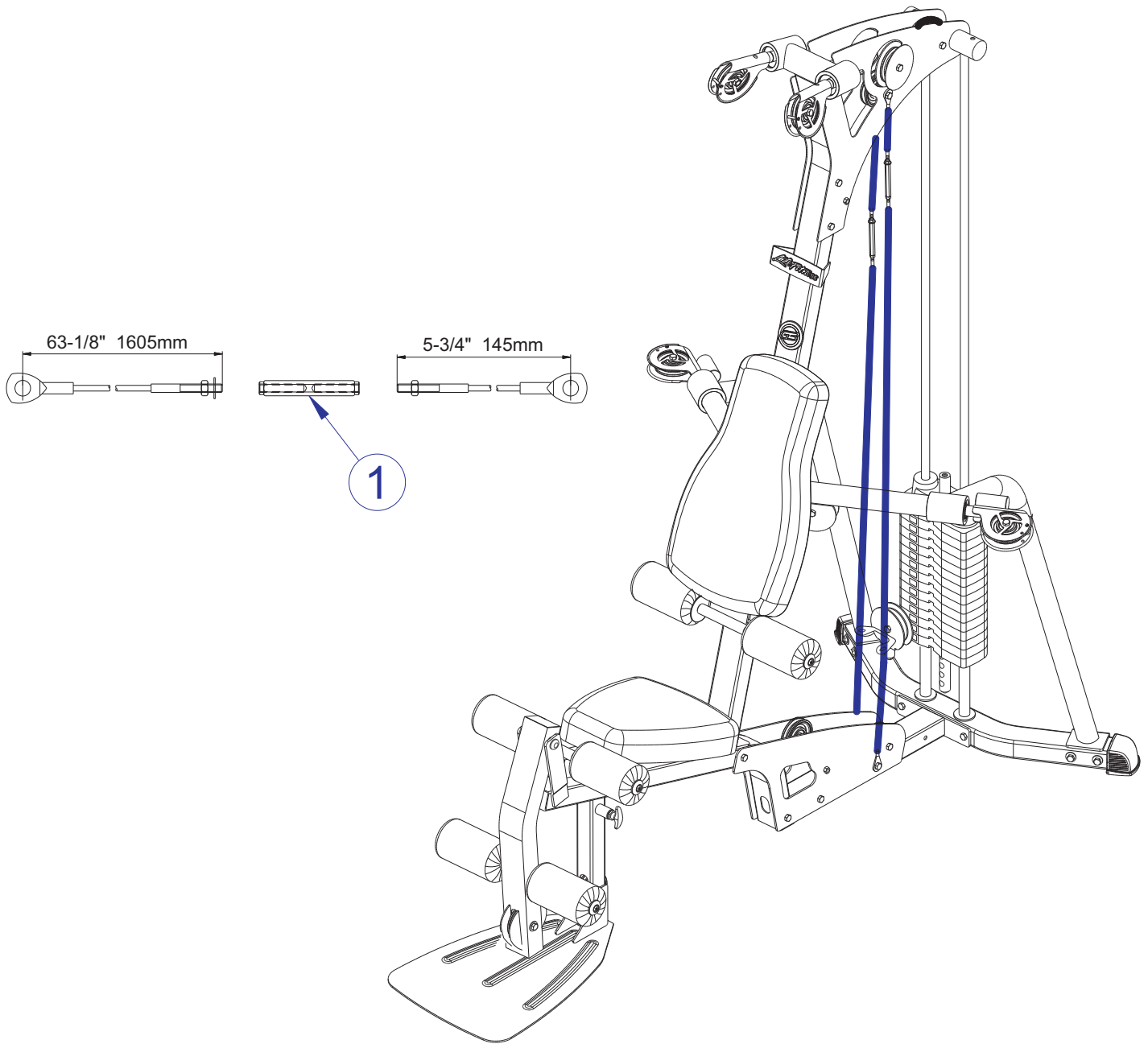
ITEM NO.	QTY.	PART NO.	DESCRIPTION
1	1	8596401	ARM CABLE 215 1/16 L

G3-001 G3 HOME GYM FRONT GUIDE CABLES



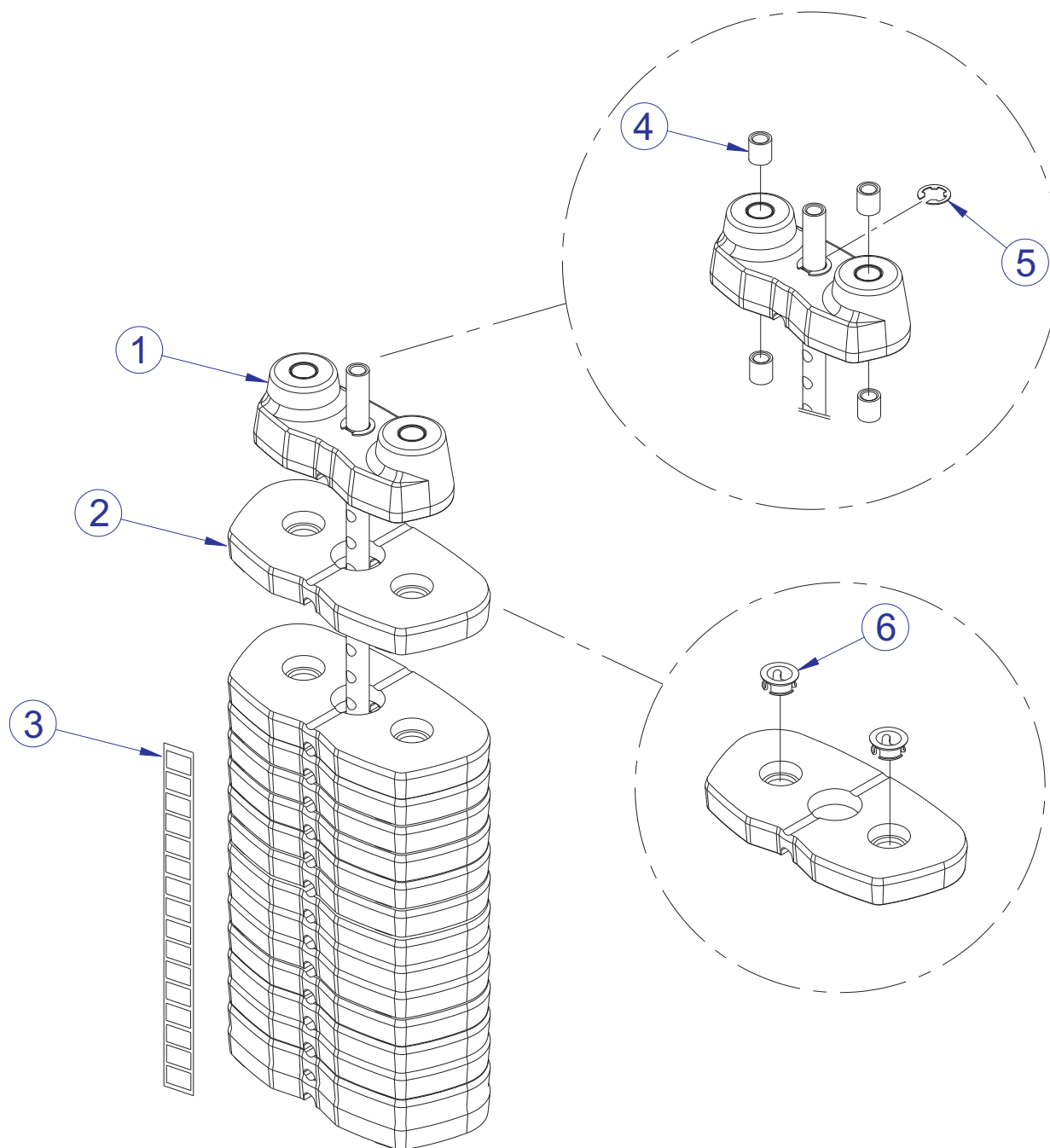
ITEM NO.	QTY.	PART NO.	DESCRIPTION
1	2	7122101	CABLE ASSY, 777 GUIDE P13-0112-3

G3-001 G3 HOME GYM REAR GUIDE CABLES



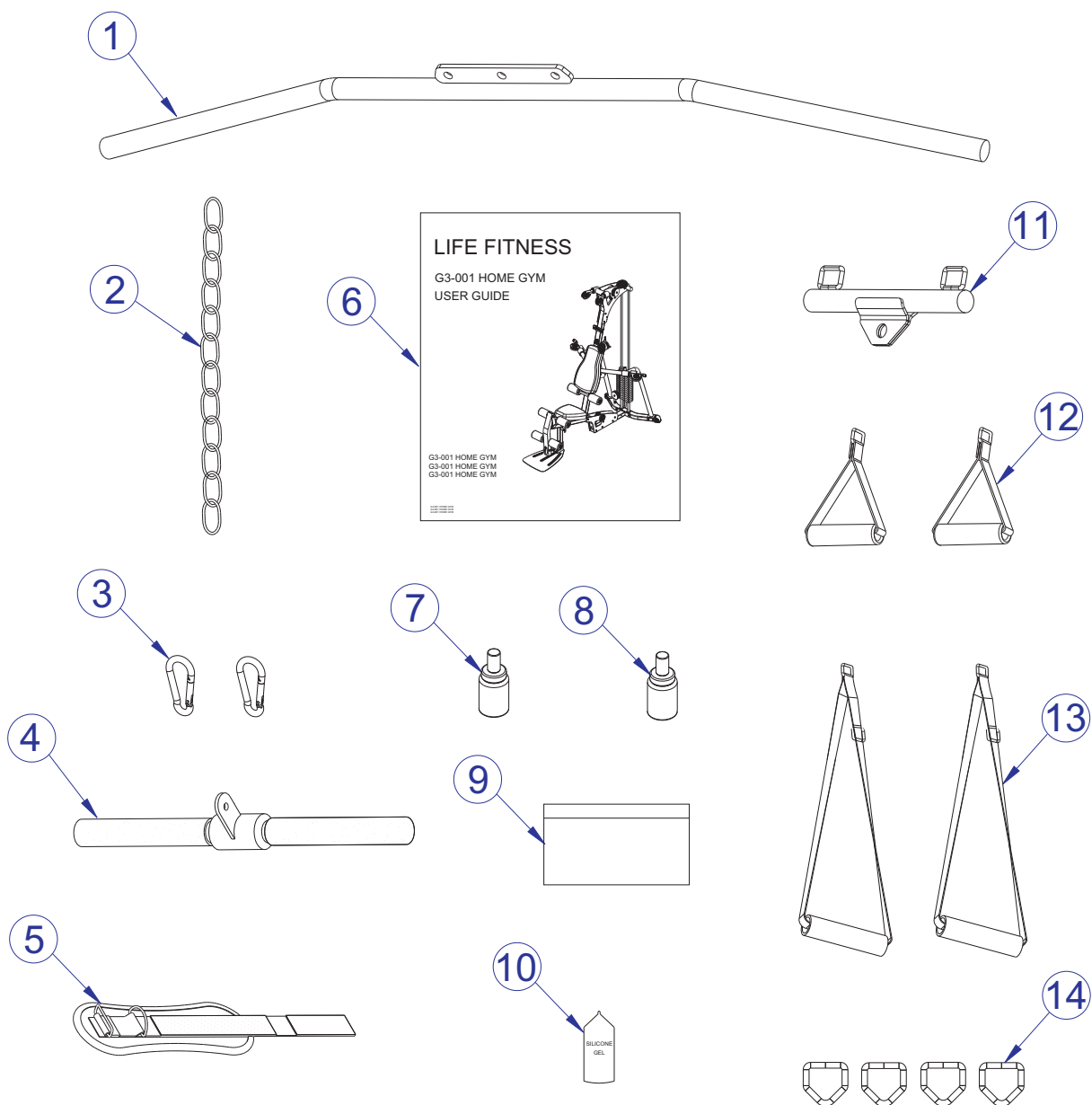
ITEM NO.	QTY.	PART NO.	DESCRIPTION
1	2	8596501	CABLE 63 1/8/5 5/8 P13-0223

G3-001 G3 HOME GYM WEIGHT STACK ASSEMBLY



ITEM NO.	QTY.	PART NO.	DESCRIPTION
1	1	7292801	PTD ASSY, HEAD PLATE 20 HOLE
2	15	ACUWT-PLATE	215102 SINGLE WT PLATE 10 LBS
3	1	7308601	LABEL;WEIGHT STACK 1-26
4	4	7286601	BEARING,SLEEVE 20ID X23 X 15MM
5	1	3221702	E-RING, EXTERNAL 3/4
6	30	6224501	SOCKET BUSHING

G3-001 G3 HOME GYM SUPPLIED ACCESSORIES



ITEM NO.	QTY.	PART NO.	DESCRIPTION
1	1	8601001	ASSY, LAT BAR
2	1	6075906	CHAIN, 12 LINK
3	2	3103801	LINK, SNAP 5/16 DIA
4	1	8588301	ASSY, LOW ROW BAR
5	1	6409101	STRAP, ANKLE STANDARD
6	1	8600401	MANUAL, USER'S, G3
7	1	8599601	PAINT, TOUCH UP, PLATINUM
8	1	8598401	PAINT, TOUCH UP, SHADOW GREY
9	1	8600301	EXERCISE CARDS, G3
10	1	8598301	SILICONE GEL
11	1	8596301	ASSY, ACCESSORY BAR
12	2	7016901	HANDLE, SEWN 5-1/2 X 7-1/2
13	2	7016902	HANDLE, SEWN 5-1/2 X 14-1/2
14	4	7944401	RING, UNIVERSAL ADAPTER

G3-001 G3 HOME GYM HARDWARE BAG

HARDWARE BAG PART NUMBER

8600201

BAG CONTAINS:

QTY.	PART NO.	DESCRIPTION
1	3102970	.50- 13 X 5.75 HEX HEAD BOLT
1	3102917	1/2-13X4 UNS HEX FHB G2 ZN
6	3102955	3/8-16X4-1/4 UNS HEX FHB G2 ZN
16	3102905	3/8-16 X 3-3/4 UNS HEX FHB G2 ZN
6	3102904	3/8-16X3 UNS HEX FHB G2 ZN
4	3102922	3/8-16X2-3/4 UNS HEX FHB G2 ZN
2	3102901	3/8-16X1-1/4 UNS HEX FHB G2 ZN
5	3102924	3/8-16X1-3/4 UNS HEX FHB G2 ZN
6	3268301	CAP SCREW, BTN HD 3/8-16 BO
26	3102514	WASHER, FLAT 3/8 IN SAE ST ZN
2	3102801	NUT, NYLOCK 1/2-13
33	3102802	VMI NUT, NYLOCK 3/8-16
2	6866801	WASHER, RH 1/2 ID
9	8597702	SPACER, 3/8 X 1 LG
2	3268001	SPACER, FLANGE 3/8 X 3/4
2	3268101	SPACER, FLANGE 3/8 X 1-1/16
2	3103302	SHAFT COLLAR, 13/16 ID ZINC
4	7944401	RING, UNIVERSAL ADAPTER
6	8598001	AL CAP, ROLLER PAD END

Free Manuals Download Website

<http://myh66.com>

<http://usermanuals.us>

<http://www.somanuals.com>

<http://www.4manuals.cc>

<http://www.manual-lib.com>

<http://www.404manual.com>

<http://www.luxmanual.com>

<http://aubethermostatmanual.com>

Golf course search by state

<http://golfingnear.com>

Email search by domain

<http://emailbydomain.com>

Auto manuals search

<http://auto.somanuals.com>

TV manuals search

<http://tv.somanuals.com>