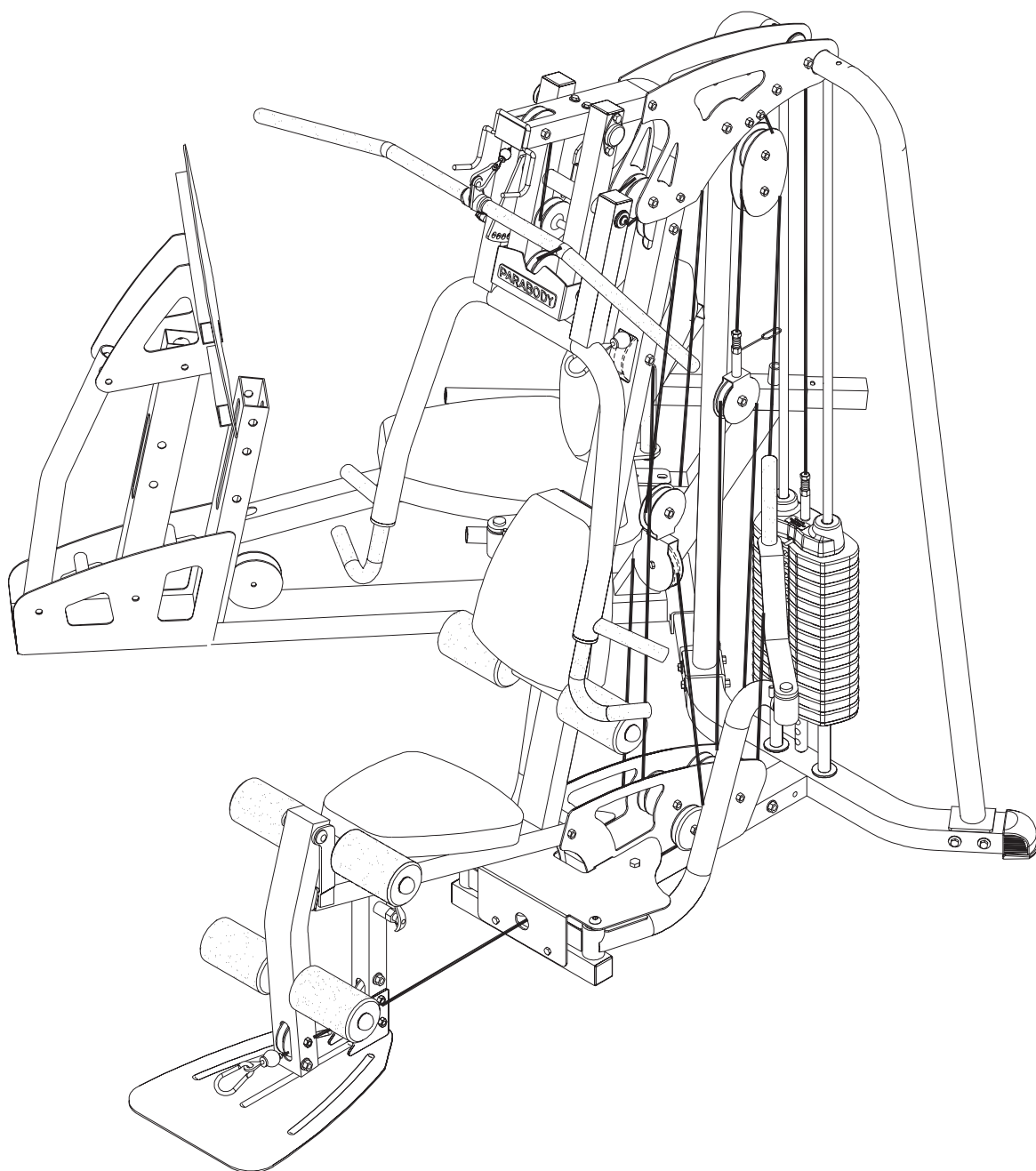




G4-GLPA-001

G4 HOME GYM LEG PRESS ADAPTER



Customer Support Services
PARTS MANUAL

G4-GLPA LEG PRESS ADAPTER CONTENTS

	PAGE
COMPONENT ASSEMBLY	3
COMPONENT ASSEMBLY LEGEND	4
SUPPLIED ACCESSORIES	5
HARDWARE BAG	6

G4-GLPA LEG PRESS ADAPTER COMPONENT ASSEMBLY LEGEND

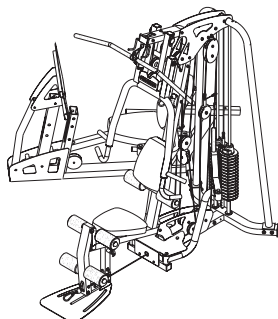
ITEM NO.	QTY.	PART NO.	DESCRIPTION
1	1	8605301	WLDMT, CONNECTING TUBE
2	1	8608601	ASSY, PULLEY HOUSING
3	1	8608701	CABLE, LEG PRESS, G4-GLPA
4	1	8603501	L CABLE RETAINER
5	2	8585401	CAP, END 2 SQ
6	7	3116201	PULLEY, 3-1/2 OD X 3/8 ID X 1
7	4	8606901	SPACER, STEP 19/32
8	4	8607001	SPACER, STEP 1-19/32
9	2	8607101	SPACER, STEP 11/16
10	2	3102905	3/8-16 X 3-3/4 UNS HEX FHB G2 ZN
11	3	3102924	3/8-16X1-3/4 UNS HEX FHB G2 ZN
12	2	3102970	.50- 13 X 5.75 HEX HEAD BOLT
13	5	3102972	.375-16 X 4.75 HEX HEAD BOLT
14	2	3102922	3/8-16X2-3/4 UNS HEX FHB G2 ZN
15	9	3102514	WASHER, FLAT 3/8 IN SAE ST ZN
16	14	3102802	VMI NUT, NYLOCK 3/8-16

G4-GLPA LEG PRESS ADAPTER SUPPLIED ACCESSORIES

1

LIFE FITNESS

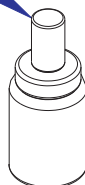
G4LPA-001 LEG PRESS ADAPTER
USER GUIDE



G4LPA-001 LEG PRESS ADAPTER
G4LPA-001 LEG PRESS ADAPTER
G4LPA-001 LEG PRESS ADAPTER

G4LPA-001 LEG PRESS ADAPTER
G4LPA-001 LEG PRESS ADAPTER
G4LPA-001 LEG PRESS ADAPTER

2



ITEM NO.	QTY.	PART NO.	DESCRIPTION
1	1	8608801	MANUAL, USER'S, G4-GLPA
2	1	8598401	PAINT, TOUCH UP, PLATINUM

G4-GLPA LEG PRESS ADAPTER HARDWARE BAG

HARDWARE BAG PART NUMBER

8610301

BAG CONTAINS:

Item	Description	UOM	Quantity
3102970	.50- 13 X 5.75 HEX HEAD BOLT	EA	2
3102972	.375-16 X 4.75 HEX HEAD BOLT	EA	5
3102905	3/8-16 X 3-3/4 UNS HEX FHB G2 ZN	EA	2
3102922	3/8-16X2-3/4 UNS HEX FHB G2 ZN	EA	2
3102924	3/8-16X1-3/4 UNS HEX FHB G2 ZN	EA	3
3102514	WASHER, FLAT 3/8 IN SAE ST ZN	EA	9
3102802	VMI NUT, NYLOCK 3/8-16	EA	14
8606901	SPACER, STEP 19/32	EA	4
8607001	SPACER, STEP 1-19/32	EA	4
8607101	SPACER, STEP 11/16	EA	2

Free Manuals Download Website

<http://myh66.com>

<http://usermanuals.us>

<http://www.somanuals.com>

<http://www.4manuals.cc>

<http://www.manual-lib.com>

<http://www.404manual.com>

<http://www.luxmanual.com>

<http://aubethermostatmanual.com>

Golf course search by state

<http://golfingnear.com>

Email search by domain

<http://emailbydomain.com>

Auto manuals search

<http://auto.somanuals.com>

TV manuals search

<http://tv.somanuals.com>