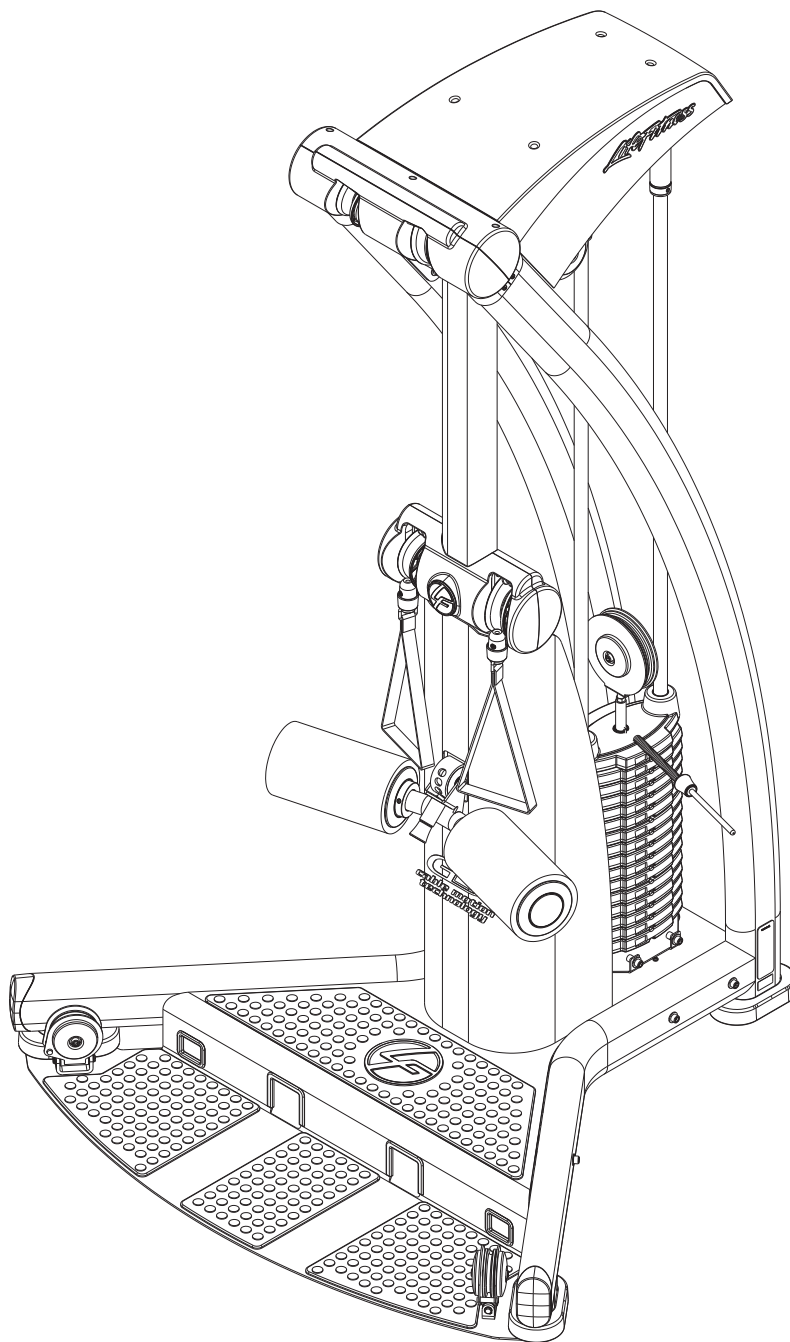




PARABODY G5 GYM SYSTEM



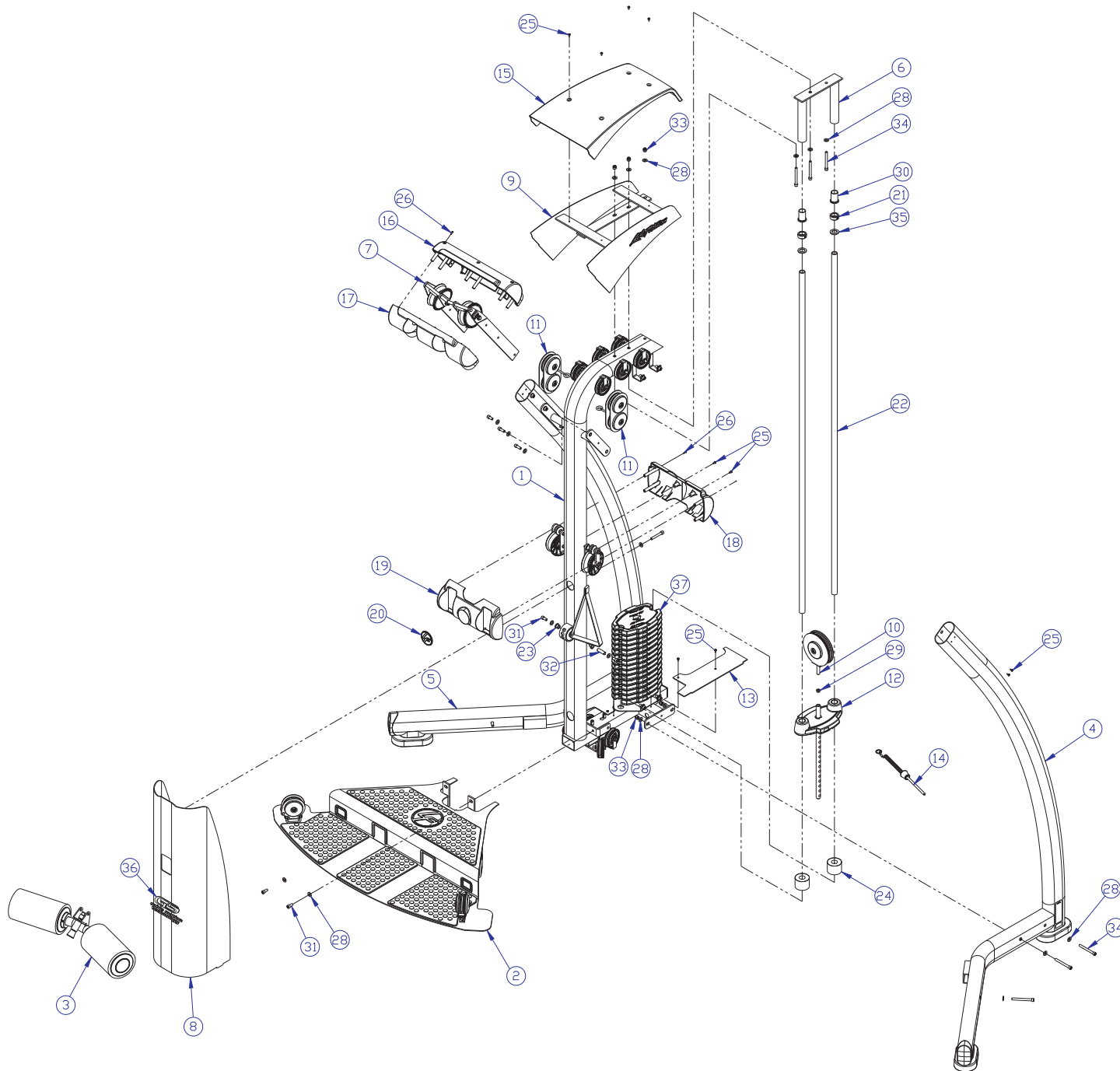
Customer Support Services PARTS LIST

G5 GYM SYSTEM

Contents

COMPONANT ASSEMBLY	pg.3
COMPONANT ASSEMBLY LEGEND	4
FOOT PLATE ASSEMBLY	5
LEFT UPRIGHT ASSEMBLY	6
RIGHT UPRIGHT ASSEMBLY	7
FRONT UPRIGHT ASSEMBLY	8
ROLLER PAD ADJ. ASSEMBLY	9
TOP PULLEYS ASSEMBLY	10
FLOATING PULLEYS ASSEMBLY	11
HEAD PLATE PULLEY ASSEMBLY	12
HEAD PLATE ASSEMBLY	13
STRAPS AND CABLES	14
OPTIONAL SHROUD ASSEMBLY	15
IMAGE	16

G5 GYM SYSTEM COMPONENT ASSEMBLY

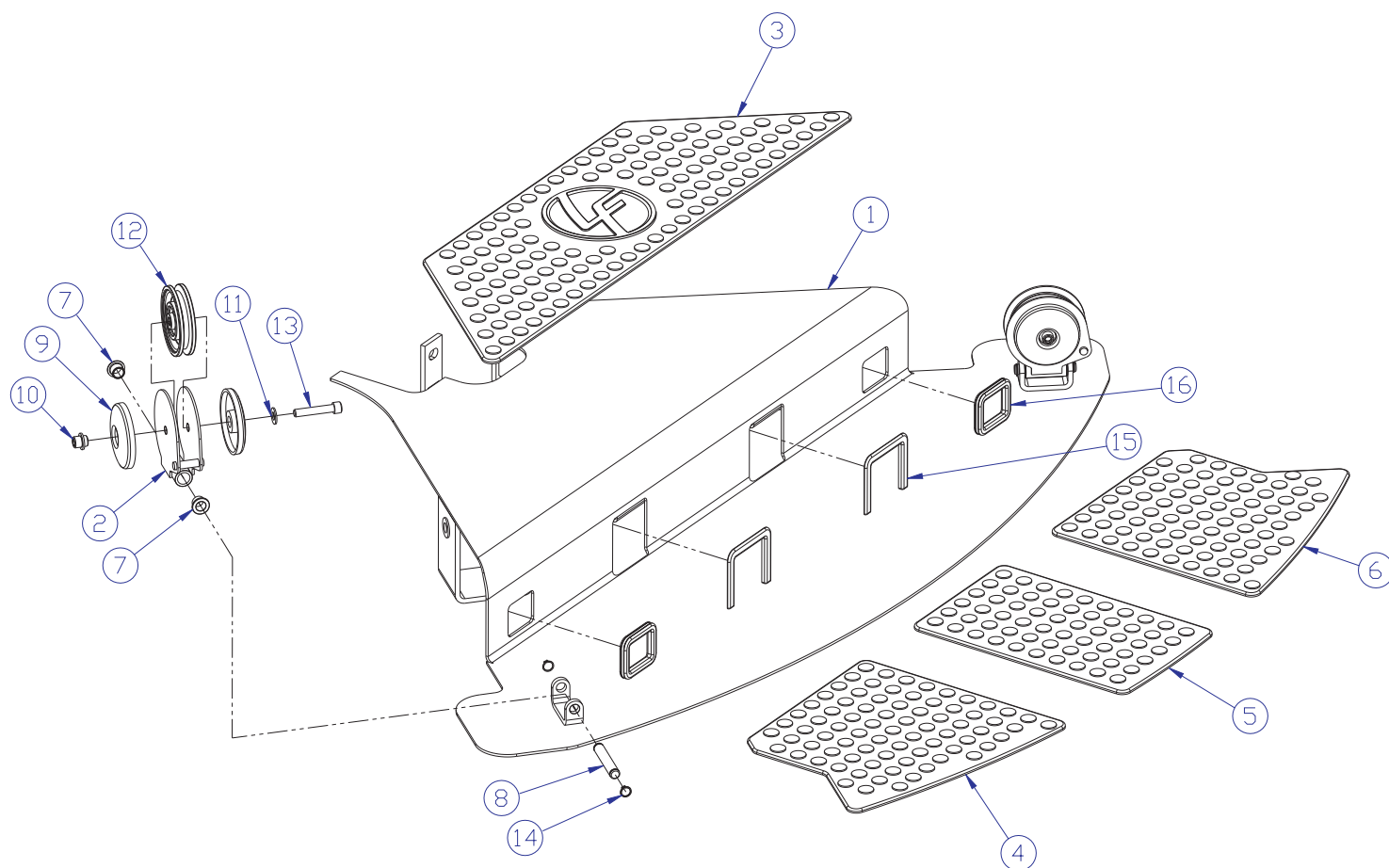


SEE PAGE 4 FOR LEGEND

G5 GYM SYSTEM COMPONENT ASSEMBLY LEGEND

ITEM NO.	QTY.	PART NO.	DESCRIPTION
1	1	LEA7728201	PTD ASSY, FRONT UPRIGHT
2	1	LEA7701601	PTD ASSY, FOOT PLATE
3	1	LEA7729801	PTD ASSY, ROLLER PAD ADJ.
4	1	LEA7701701	PTD ASSY, LEFT UPRIGHT
5	1	LEA7701801	PTD ASSY, RIGHT UPRIGHT
6	1	LEA7611701	WLDMT, GUIDE ROD
7	1	LEA7746101	PTD ASSY, TOP PULLEYS
8	1	LEA7761701	PTD ASSY, FRONT SHROUD
9	1	LEA7761601	PTD ASSY, G5, TOP SHROUD
10	1	LEA7762401	PTD ASSY, HEAD PLATE PULLEY
11	2	LEA7754501	PTD ASSY, FLOATING PULLEYS
12	1	LEA6925501	PTD ASSY, HEAD PLATE 20"
13	2	LEA7682001	PLATE, REAR BOTTOM
14	1	LEA7622001	ASSY, SELECTOR PIN
15	1	LEA7755301	COVER TOP
16	1	LEA7755401	COVER TOP BACK
17	1	LEA7755501	COVER TOP FRONT
18	1	LEA7755601	COVER MID BACK
19	1	LEA7755701	COVER MID FRONT
20	1	AK58-00245-0000	MEDALLION;"BUG"; PUR
21	2	LEA3245501	COLLAR, 1" ID SHAFTALUM
22	2	LEA6920201	GUIDE ROD, 1" O.D. 10GA X 73
23	2	LEA6020602	BEARING, FLG 1/2 ID X 5/8 OD X 1/2
24	2	LEA7749701	CUSHION, WEIGHT STACK
25	14	LEA3223401	SCREW, 10-32 X 6 PHL PAN TT ST BZ
26	10	LEA3226003	SCREW, 6-20 X 8 PHL PAN PLT BZ
27	4	LEA3249205	.375 HXS SOC CS ST ZN X 1.00
28	35	LEA3102514	WASHER, FLAT 3/8" SAE ST ZN
29	1	LEA3102701	NUT, HEX
30	4	LEA3245401	BSHNG, GUIDE ROD 1 ID X 1-1/2
31	14	LEA3249203	.375 HXS SOC CS ST ZN X .750
32	1	LEA7705402	SHAFT, .50 DIA SLOTTED X 1.67
33	7	LEA3102802	NUT, NYLOCK 3/8-16
34	9	LEA3249214	.375 HXS SOC CS ST ZN X 3.50
35	2	LEA7749801	BUMPER, HEAD PLATE
36	1	LEA7762801	LABEL, G5 CM TECHNOLOGY
37	15	LEA7762701	PTD ASSY, WEIGHT PLATE 10-LB

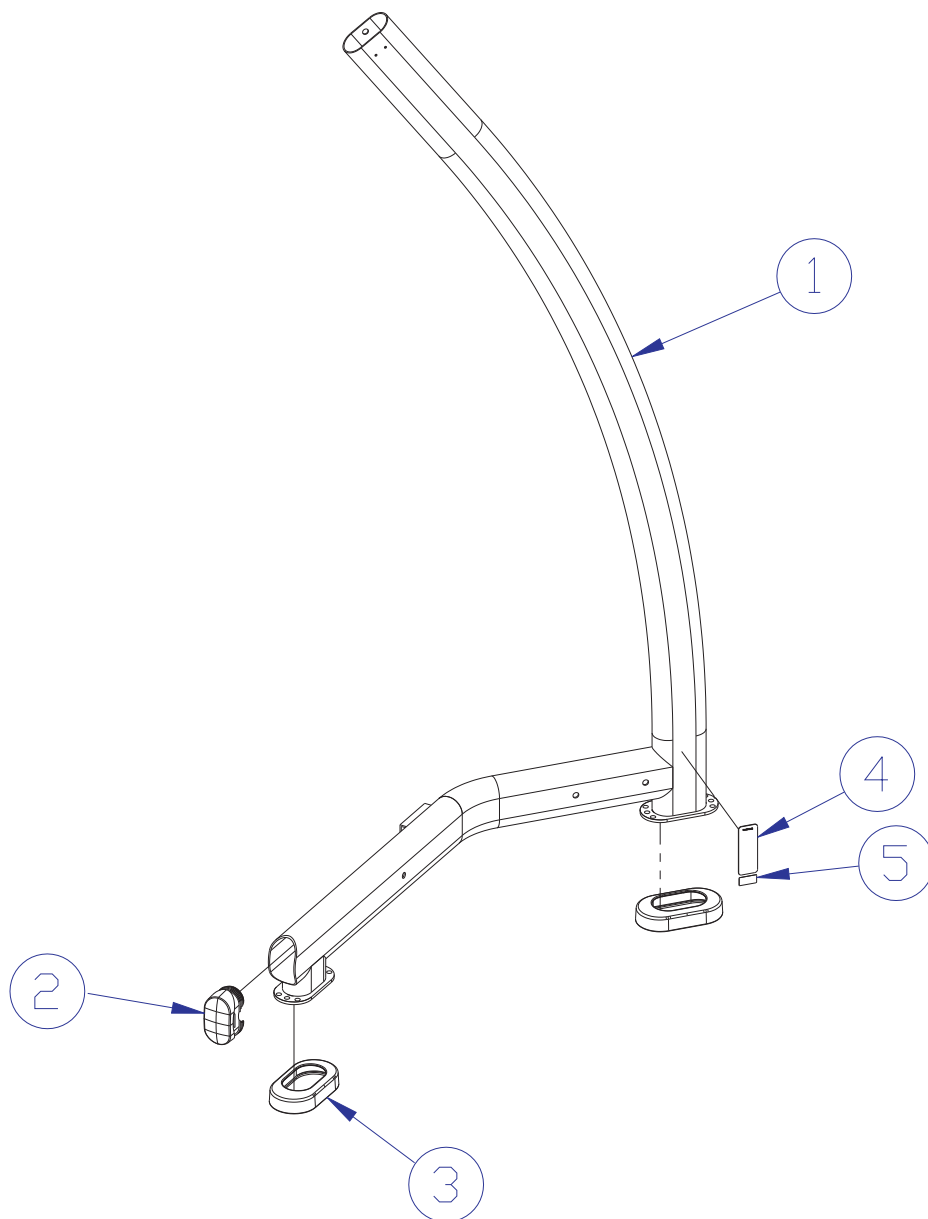
G5 GYM SYSTEM FOOT PLATE ASSEMBLY - LEA7701601



ITEM NO.	QTY.	PART NO.	DESCRIPTION
1	1	LEA7687901	WLDMT, G5, FOOT PLATE
2	2	LEA7612301	WELDMENT, SWIVEL
3	1	LEA7755201	PAD, FOOT TOP
4	1	LEA7754901	PAD, FOOT LOWER LT
5	1	LEA7755001	PAD, FOOT LOWER MID
6	1	LEA7755101	PAD, FOOT LOWER RT
7	4	LEA6020602	BEARING, FLG 1/2 ID X 5/8 OD X 1/2
8	2	LEA7746301	PIN, SWIVEL PULLEY
9	4	LEA7754801	COVER PULLEY
10	2	LEA7710101	NUT, .375 - 16 SOCKET HEAD
11	2	LEA3236601	WASHER, 3/8 SAE SS
12	2	LEA3245001	PULLEY, 3-1/2 OD X 3/8 ID X 1
13	2	LEA3249209	.375 HXS SOC CS SS X 2.00
14	4	LEA3232409	RING, RETAINING, EXTERNAL
15	2	LEA7775401	GROMMET, BENCH OPENING
16	2	LEA7775301	GROMMET, CABLE HOLE

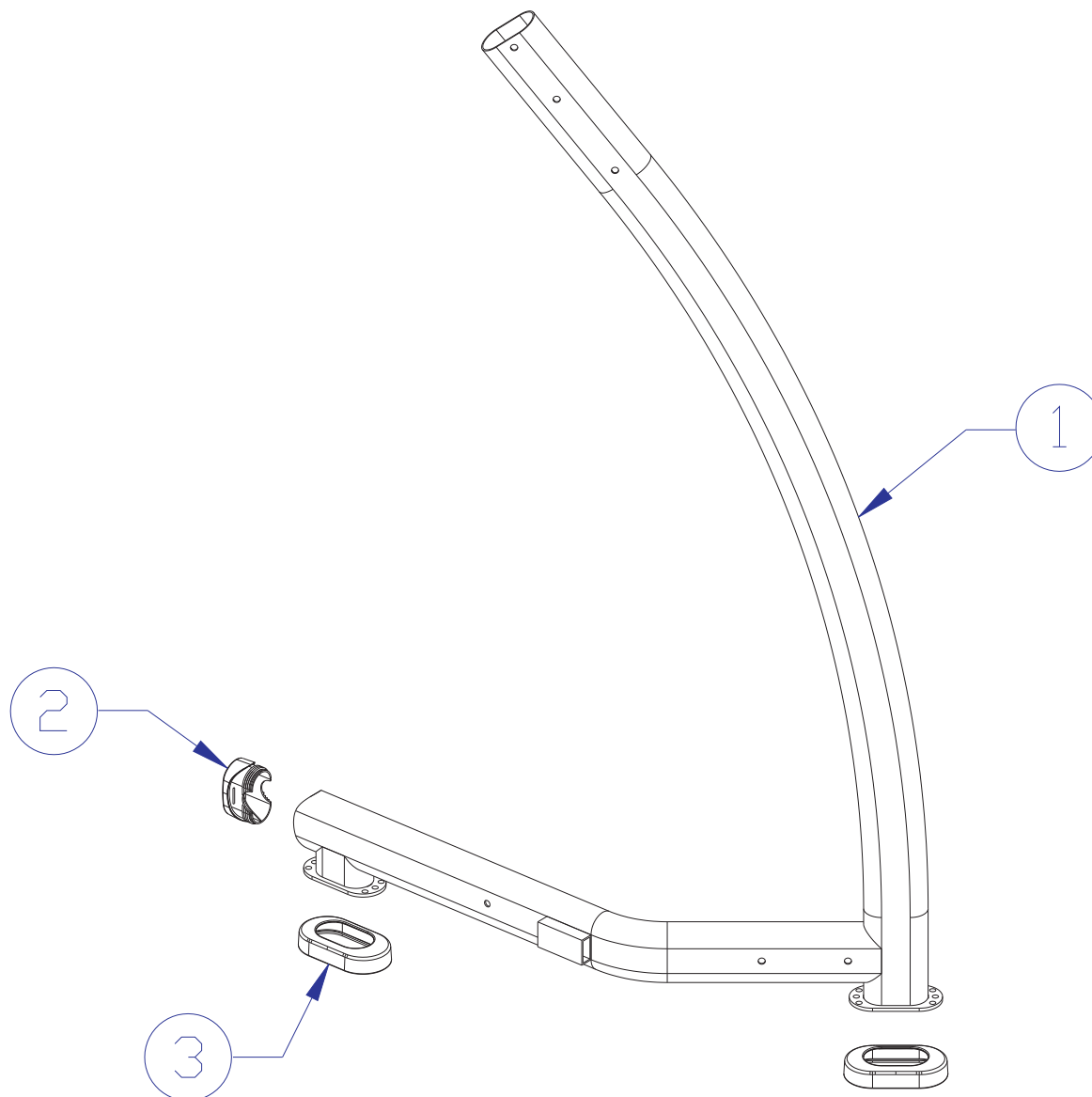
G5 GYM SYSTEM

LEFT UPRIGHT ASSEMBLY - LEA7701701



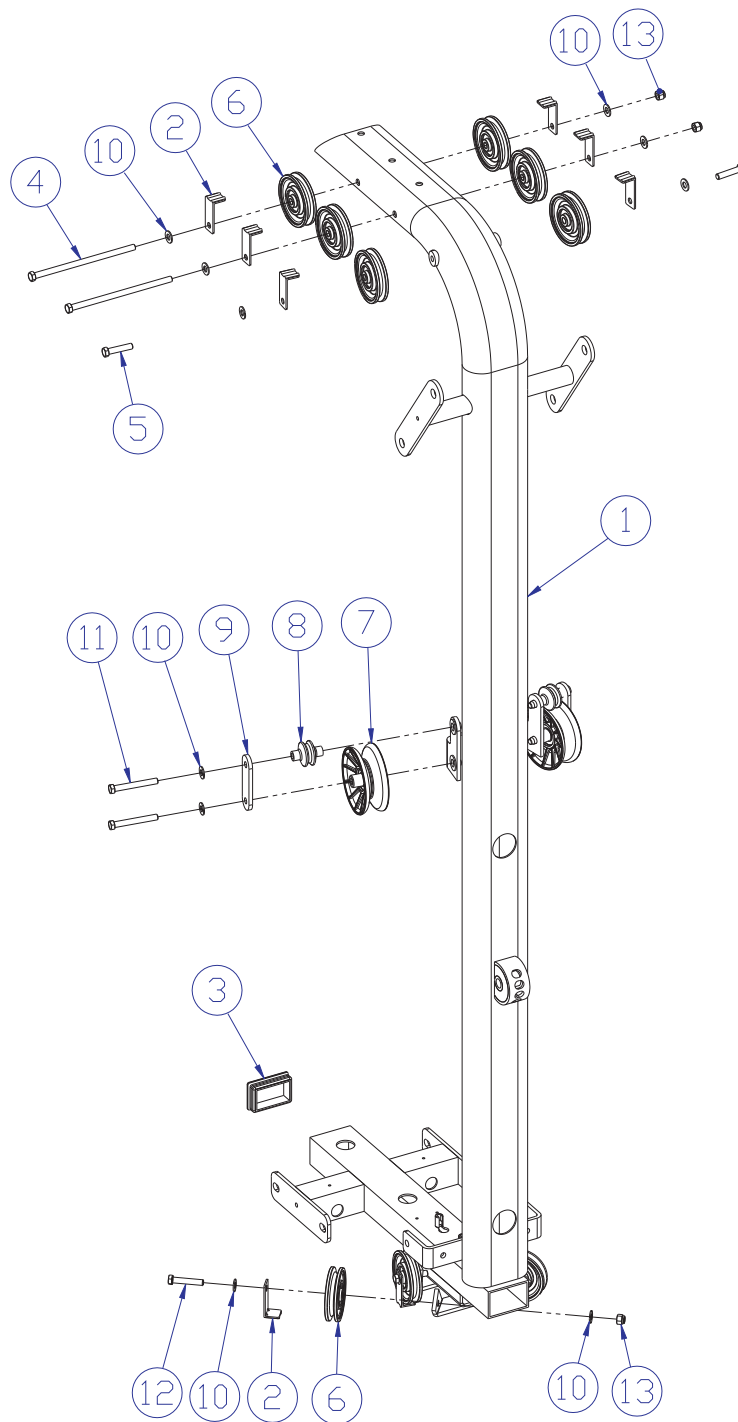
ITEM NO.	QTY.	PART NO.	DESCRIPTION
1	1	LEA7682501	WLDMT, G5, LEFT UPRIGHT
2	1	LEA7763101	END CAP, 2.50 X 4.49 FLOV
3	2	LEA7340201	COVER, FOOT - STRAIGHT
4	1	LEA7002401	LABEL, V WARNING 4.5 X 1.625
5	1	LEA6433001	LABEL, SERIAL NUMBER

G5 GYM SYSTEM RIGHT UPRIGHT ASSEMBLY - LEA7701801



ITEM NO.	QTY.	PART NO.	DESCRIPTION
1	1	LEA7682801	WLDMT, G5, RIGHT UPRIGHT
2	1	LEA7763101	END CAP, 2.50 X 4.49 FLOV
3	2	LEA7340201	COVER, FOOT - STRAIGHT

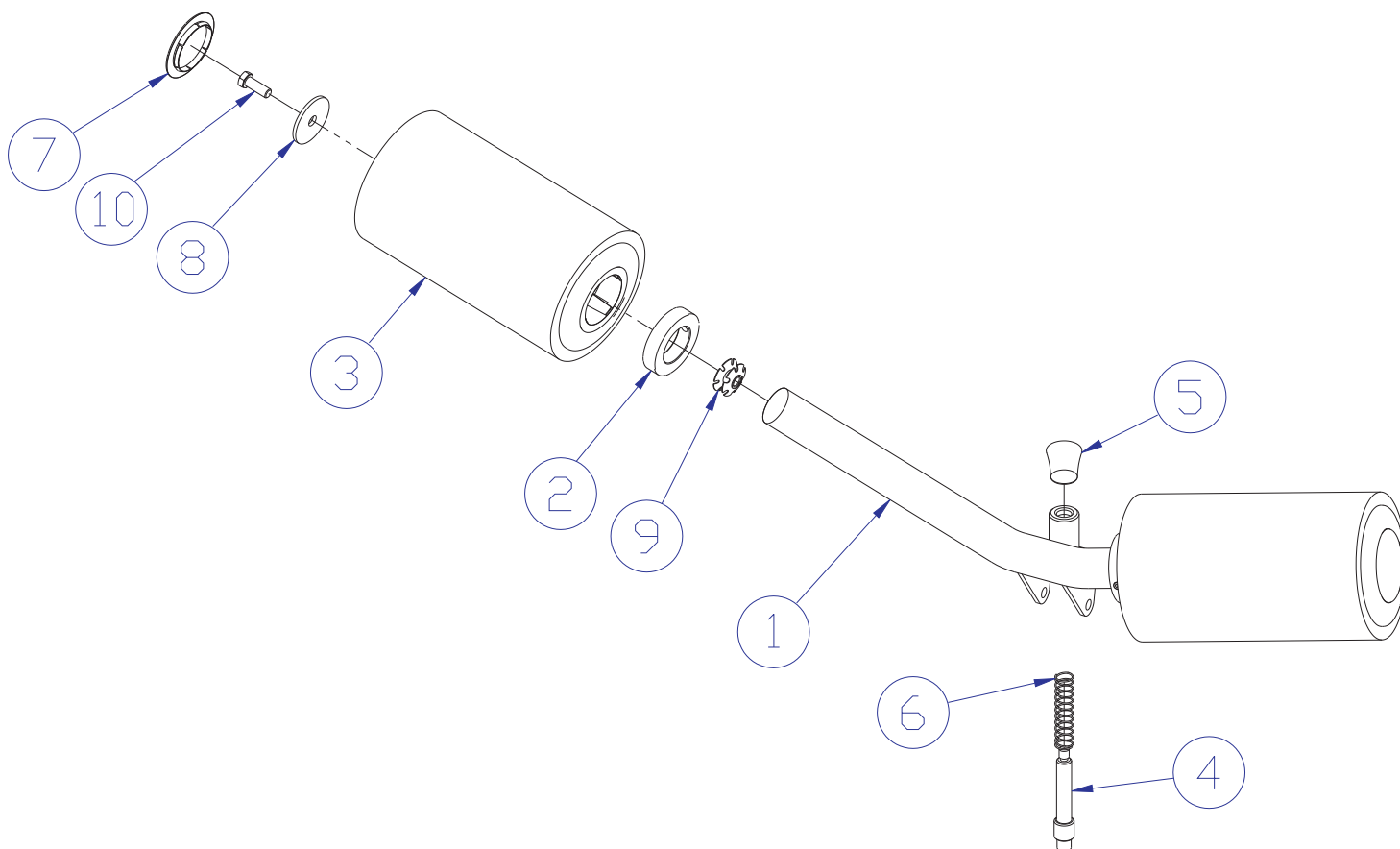
G5 GYM SYSTEM FRONT UPRIGHT ASSEMBLY - LEA7728201



ITEM NO.	QTY.	PART NO.	DESCRIPTION
1	1	LEA7728201	PTD ASSY, FRONT UPRIGHT
2	10	LEA6533501	BRKT, L 2-3/8 X 1 X 1
3	1	LEA6692601	CAP, END 3 X 2 10-14GA
4	2	LEA3102912	.375 - 16 X 7.50 HEX HEAD BOLT
5	2	LEA3102924	.375-16 x 1.75 HEX HEAD BOLT
6	10	LEA3245001	PULLEY, 3-1/2 OD X 3/8 ID X 1

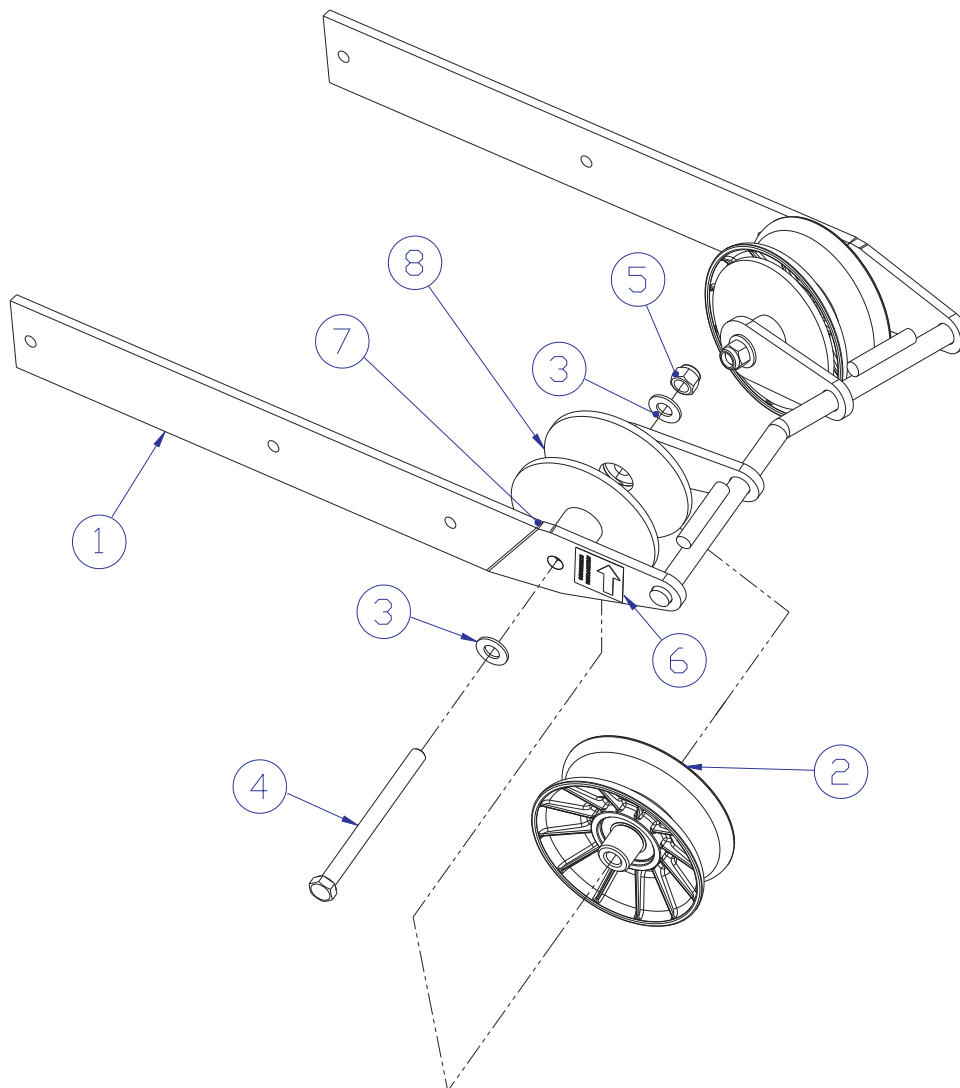
7	2	LEA7616601	PULLEY, V-GROOVE 4-1/2 OD X 2
8	2	LEA7746201	STOP, CABLE BALL
9	2	LEA7612701	PLATE, MID PULLEY
10	18	LEA3102514	WASHER, FLAT 3/8" SAE ST ZN
11	4	LEA3102904	.375 - 16 X 3.00 HEX HEAD BOLT
12	4	LEA3102933	.375 - 16 X 2.00 HEX HEAD BOLT
13	6	LEA3102802	NUT, NYLOCK 3/8-16

G5 GYM SYSTEM ROLLER PAD ADJ. ASSEMBLY - LEA7729801



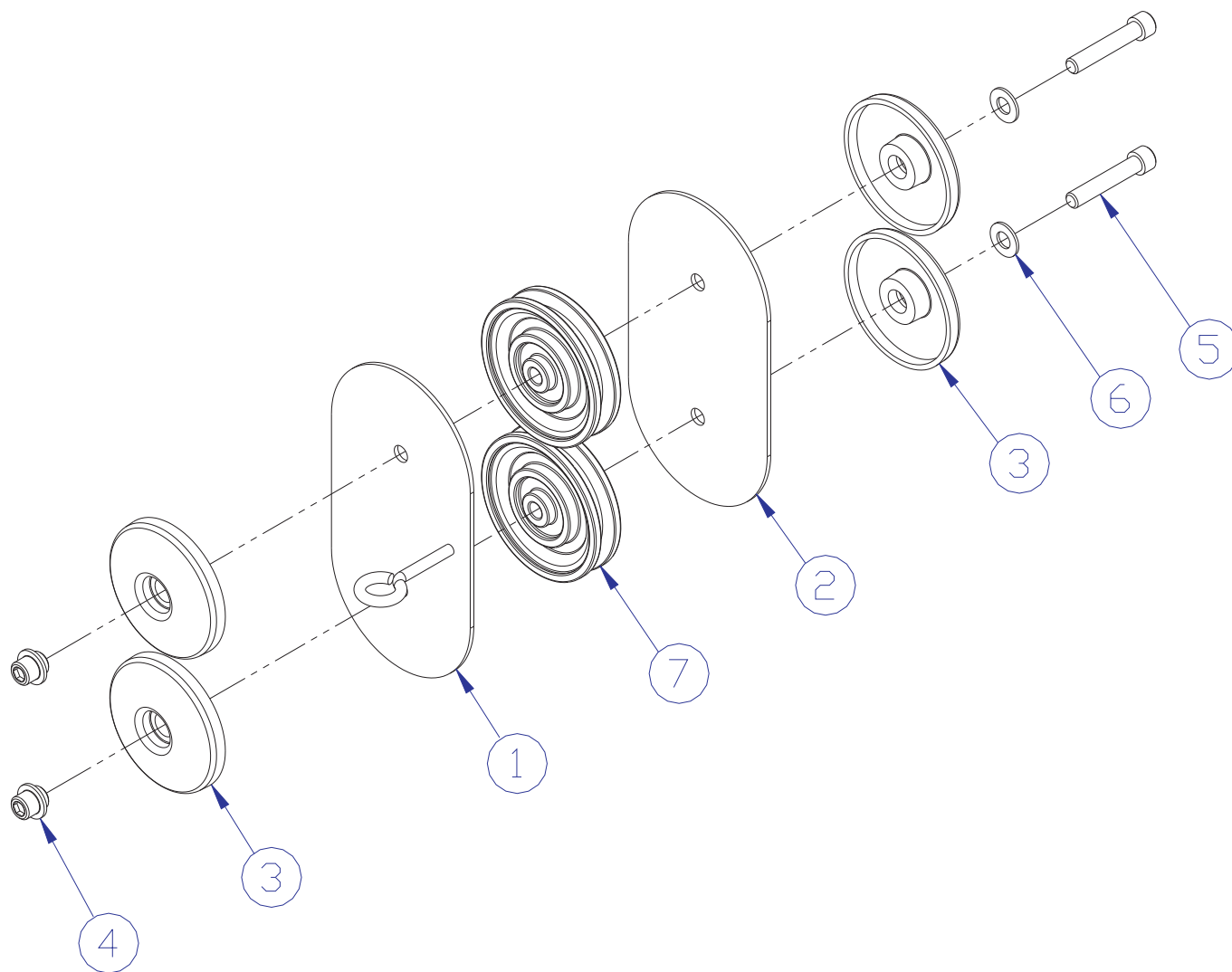
ITEM NO.	QTY.	PART NO.	DESCRIPTION
1	1	LEA7729701	WLDMT, G5, ROLLER PAD ADJUST
2	2	LEA7357901	SHAFT COLLAR, 1-1/2" ID ALUM
3	2	LEA7424701	ASSY, ROLLER PAD - SHORT
4	1	LEA7351300	PIN, PULL
5	1	LEA7351401	KNOB, TULIP STYLE
6	1	LEA7351501	SPRING; PULL PIN LARGE
7	2	LEA7308701	CAP, BEARING HOUSING
8	2	LEA7322301	PLATE, 1.97 OD X .44 ID 10GA
9	2	LEA7621301	NUT, SPIDER 3/8-16
10	2	LEA3102909	.375 - 16 X 1.00 HEX HEAD BOLT

G5 GYM SYSTEM TOP PULLEYS ASSEMBLY - LEA7746101



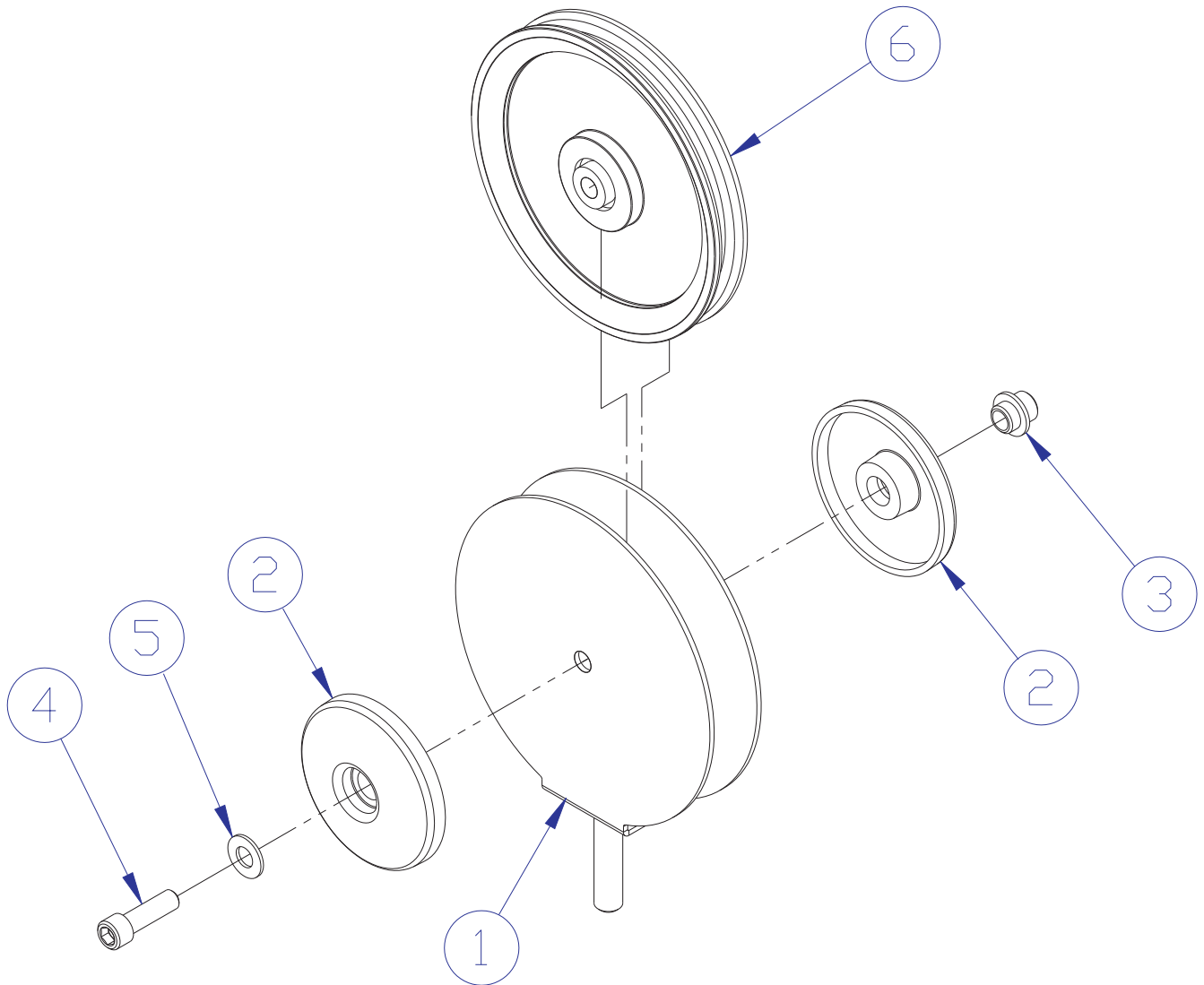
ITEM NO.	QTY.	PART NO.	DESCRIPTION
1	1	LEA7701001	WLDMT, G5, UPPER PULLEY
2	2	LEA7616601	PULLEY, V-GROOVE 4-1/2 OD X 2
3	4	LEA3102514	WASHER, FLAT 3/8" SAE ST ZN
4	2	LEA3102935	.375 -16 X 4.50 HEX HEAD BOLT
5	2	LEA3102802	NUT, NYLOCK 3/8-16 ST ZN
6	2	LEA7779301	LABEL, ARROW
7	2	LEA7913901	WLDMT, G5 HIGH PULLEY LONG
8	2	LEA7903901	WLDMT, G5 HIGH PULLEY SHORT

G5 GYM SYSTEM FLOATING PULLEYS ASSEMBLY - LEA7754501



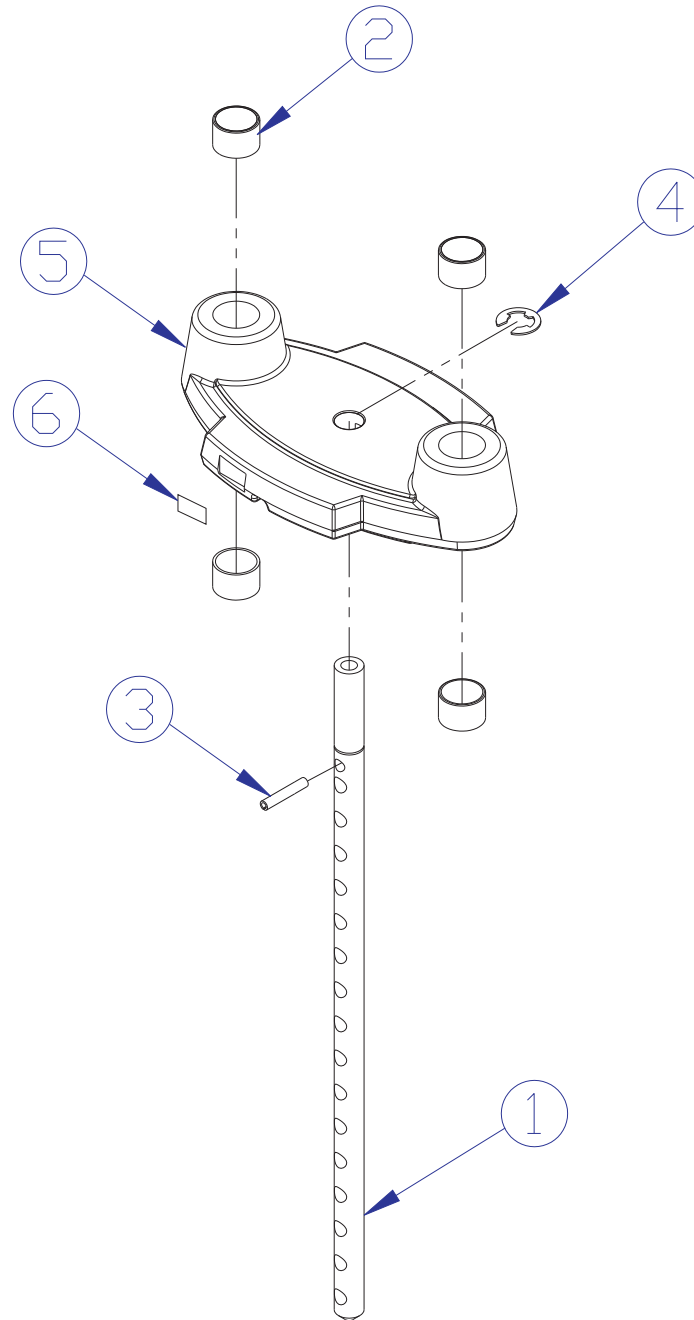
ITEM NO.	QTY.	PART NO.	DESCRIPTION
1	1	LEA7758801	WLDMT, G5, FLOATING PULLEY
2	1	LEA7612601	PLATE, FLOATING
3	4	LEA7754801	COVER PULLEY
4	2	LEA7710101	NUT, .375 - 16 SOCKET HEAD
5	2	LEA3249209	.375 HXS SOC CS ST ZN X 2.00
6	2	LEA3102514	WASHER, FLAT 3/8" SAE ST ZN
7	2	LEA3245001	PULLEY, 3-1/2 OD X 3/8 ID X 1

G5 GYM SYSTEM HEAD PLATE PULLEY ASSEMBLY - LEA7762401



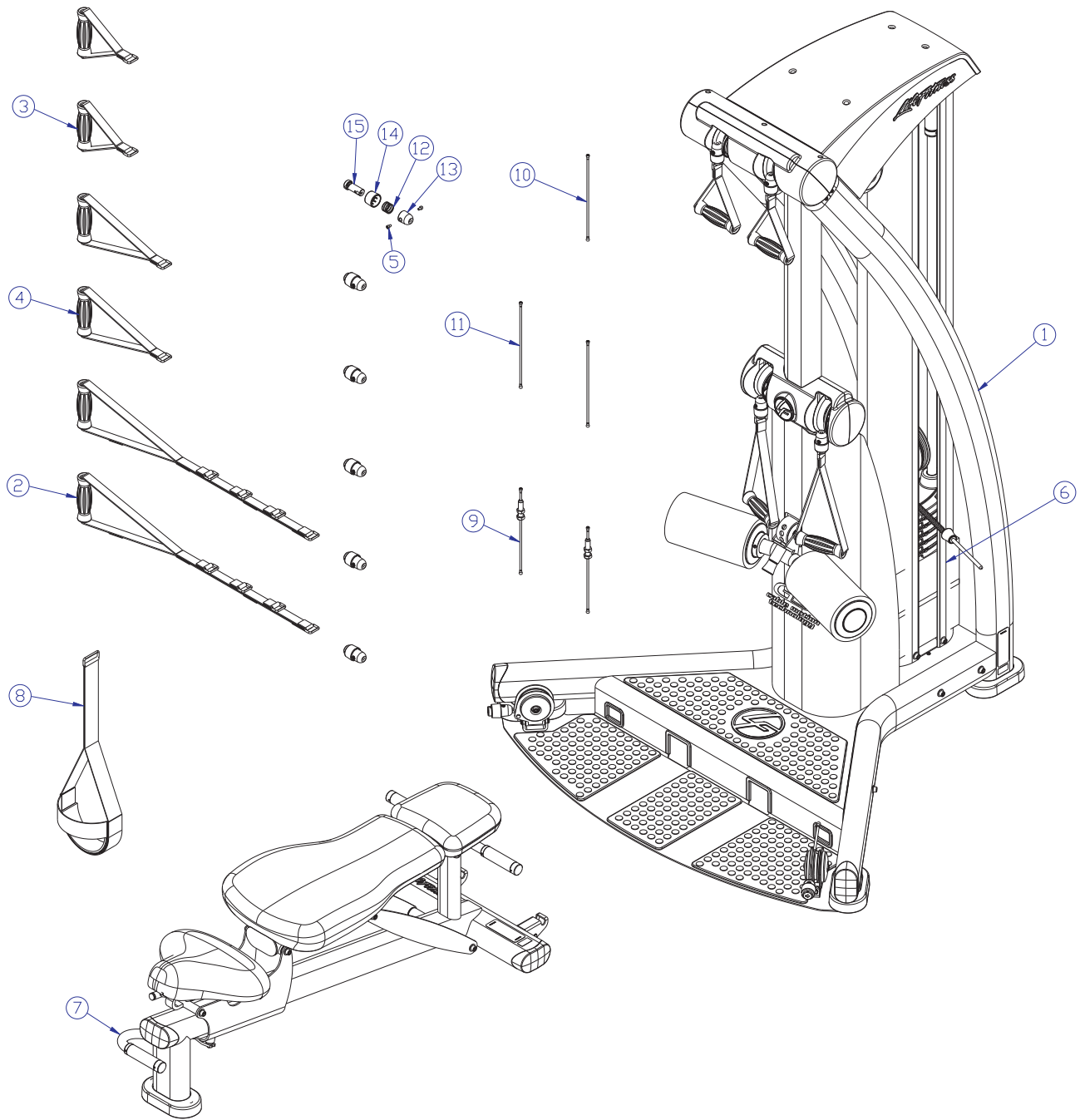
ITEM NO.	QTY.	PART NO.	DESCRIPTION
1	1	LEA7612001	WLDMT, 6 PULLEY
2	2	LEA7754801	COVER PULLEY
3	1	LEA7710101	NUT, .375 - 16 SOCKET HEAD
4	1	LEA3249206	.375 HXS SOC CS ST ZN X 1.25
5	1	LEA3102514	WASHER, FLAT 3/8" SAE ST ZN
6	1	LEA3239601	PULLEY, 6" OD x 10MM ID

G5 GYM SYSTEM HEAD PLATE ASSEMBLY - LEA6925501



ITEM NO.	QTY.	PART NO.	DESCRIPTION
1	1	LEA6914401	ASSY, SHAFT .750 DIA X 20
2	4	LEA6915601	BEARING, 26M X 30M X 20
3	1	LEA3110003	ROLL PIN, 1/4 DIA X 1-3/4
4	1	LEA3221702	E-RING, EXTERNAL 3/4
5	1	LEA6888501	HEAD PLATE BLK
6	2	LEA7749901	LABEL, WEIGHT STACK 1-26

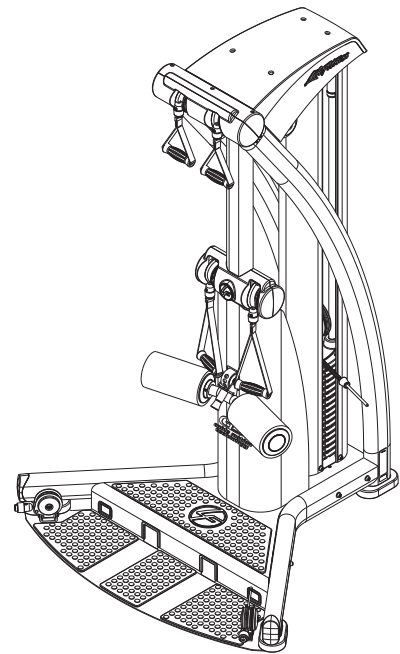
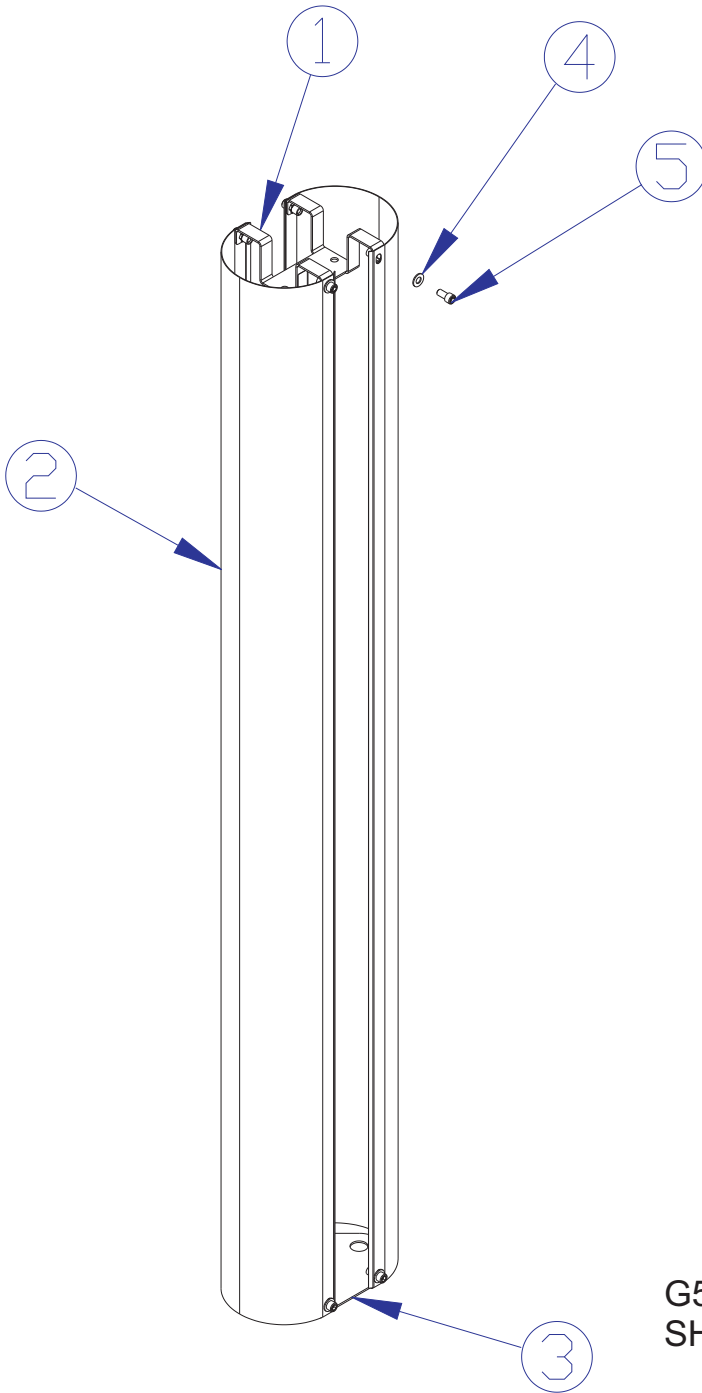
G5 GYM SYSTEM STRAPS & CABLES



ITEM NO.	QTY.	PART NO.	DESCRIPTION
1	1	G5-TOWER ASSY	ASSY, G5, TOWER
2	2	LEA7745501	HANDLE, STRAP ADJUSTABLE
3	2	LEA7745601	HANDLE, STRAP SHORT
4	2	LEA7745701	HANDLE, STRAP LONG
5	12	LEA3250002	M5 X 0.8 HXS SOC CS ST BZ X 8
6	3	LFWGT-4000-101	PTD ASSY, LF WGT PLATES, 5-10LBS
7	1	G5-BENCH ASSY	ASSY, G5, BENCH

8	1	LEA7745801	HANDLE, STRAP FOOT
9	2	LEA7746001	CABLE, BE-TP1, T2, 73
10	1	LEA7745401	CABLE, BS-BS, T2, _____
11	2	LEA7745402	CABLE, BS-BS, T2, _____
12	6	LEA3249901	SPRING, COMPRESSION
13	6	LEA7726401	HSNG, QUICK CONNECT
14	6	LEA7726301	SLEEVE, QUICK CONNECT
15	6	LEA7726201	COUPLER, QUICK CONNECT

G5 GYM SYSTEM OPTIONAL SHROUD ASSEMBLY - LEA7822901



G5 GYM SYSTEM SHOWN WITH OPTIONAL SHROUD ASSEMBLY (AVAILABLE 9/30/05)

ITEM NO.	QTY.	PART NO.	DESCRIPTION
1	1	LEA7822401	PTD ASSY, SHROUD BRKT-TOP
2	2	LEA7801501	SHROUD, G5 WEIGHT STACK
3	1	LEA7822501	PTD ASSY, BRKT SHROUD-BTM
4	8	LEA3102514	WASHER, FLAT 3/8" SAE ST ZN
5	8	LEA3249203	.375 HXS SOC CS ST ZN X .750

G5 GYM SYSTEM IMAGE (shown with optional bench)



Free Manuals Download Website

<http://myh66.com>

<http://usermanuals.us>

<http://www.somanuals.com>

<http://www.4manuals.cc>

<http://www.manual-lib.com>

<http://www.404manual.com>

<http://www.luxmanual.com>

<http://aubethermostatmanual.com>

Golf course search by state

<http://golfingnear.com>

Email search by domain

<http://emailbydomain.com>

Auto manuals search

<http://auto.somanuals.com>

TV manuals search

<http://tv.somanuals.com>