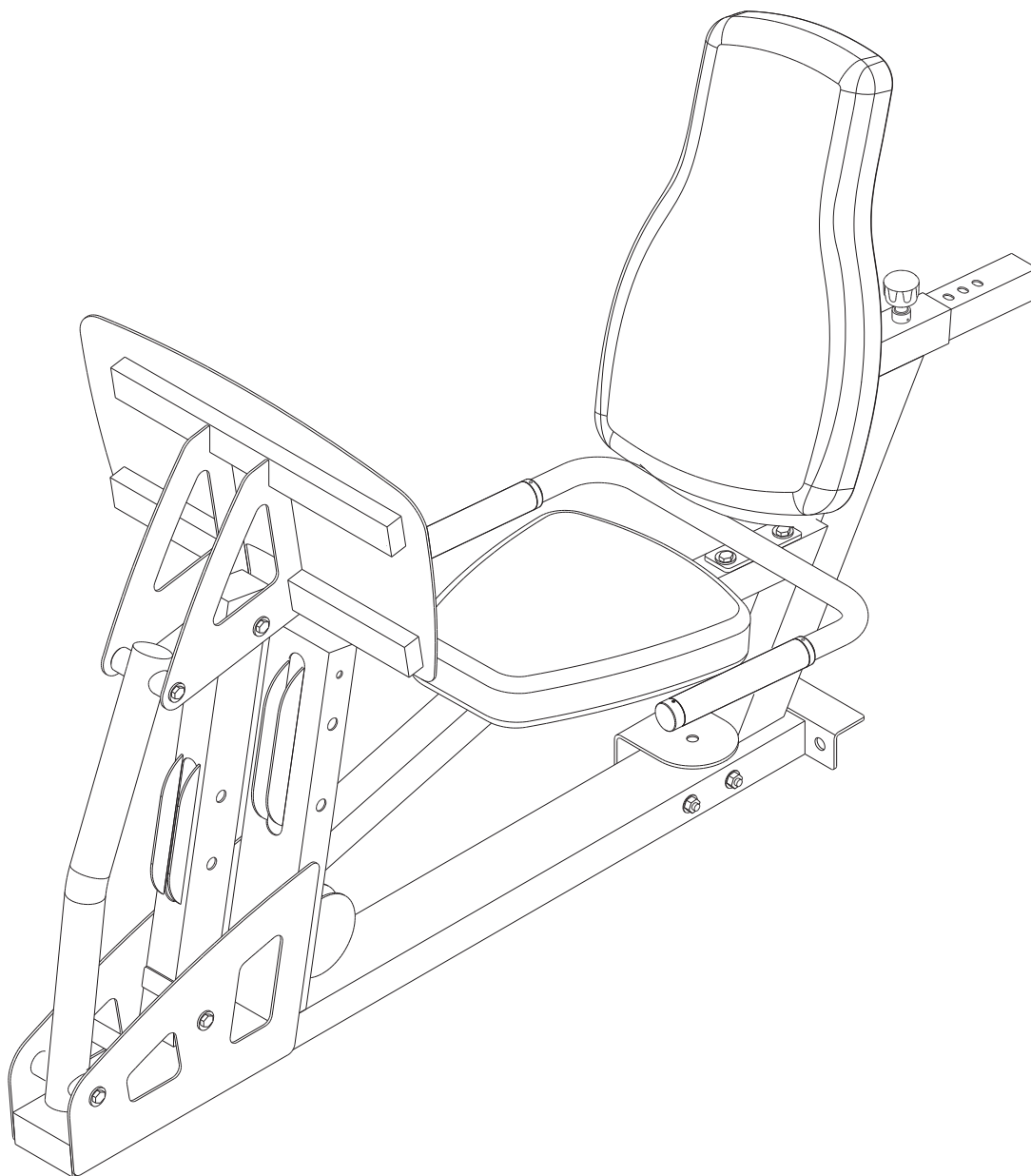


Life Fitness

GLP-001

CONSUMER GYM LEG PRESS

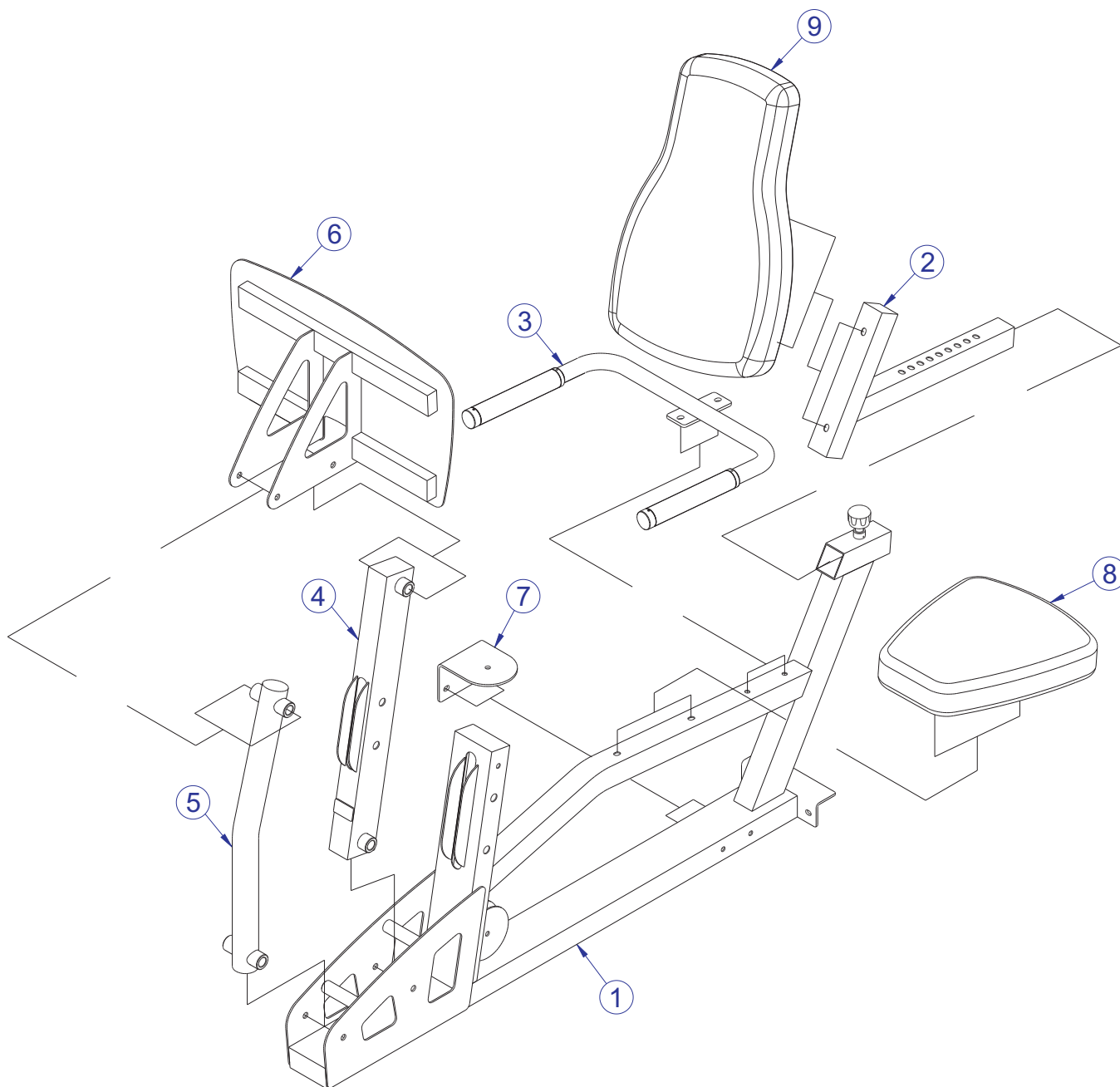


Customer Support Services
PARTS MANUAL

GLP LEG PRESS CONTENTS

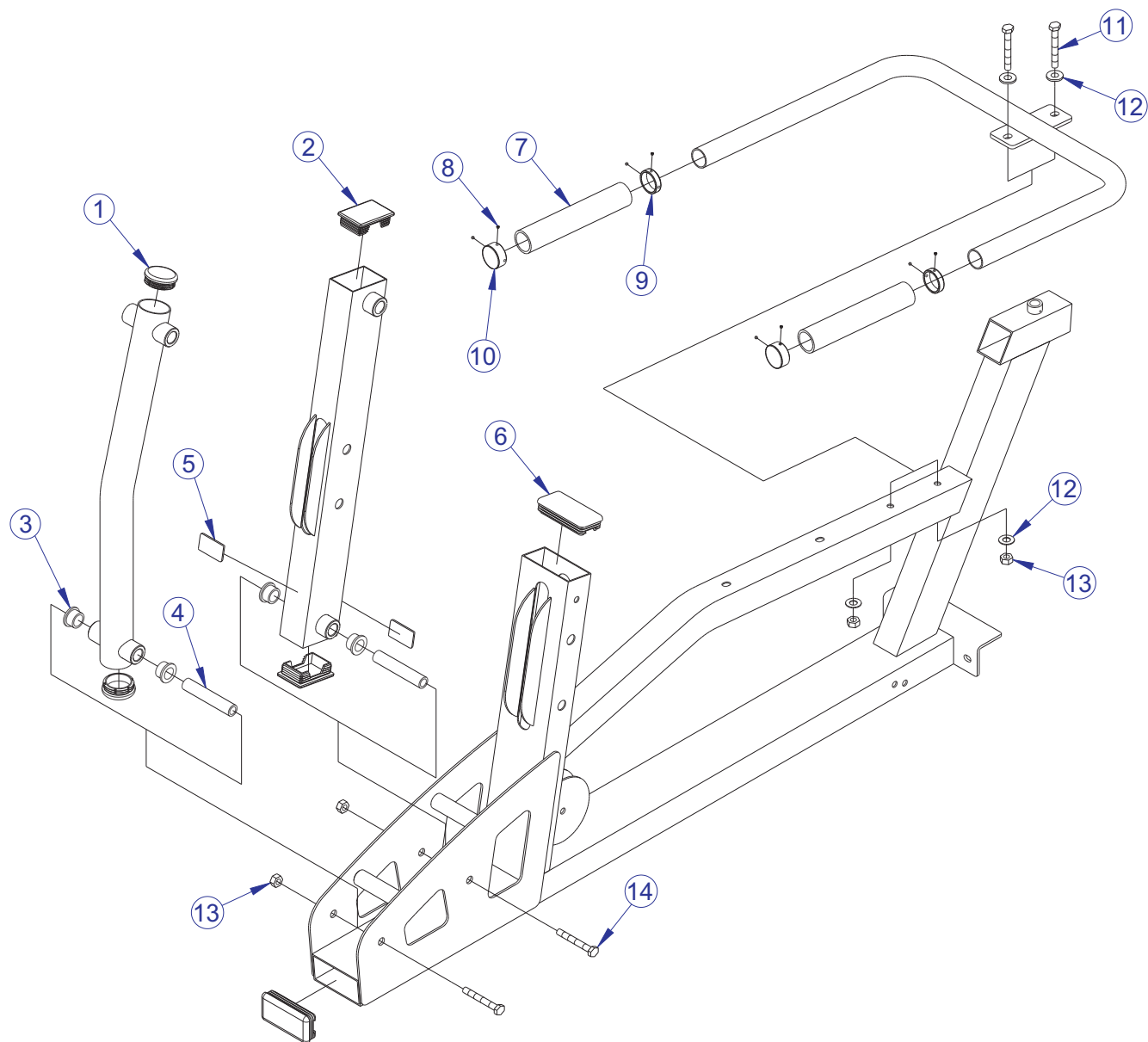
	PAGE
COMPONENT ASSEMBLY I	3
COMPONENT ASSEMBLY I LEGEND	4
COMPONENT ASSEMBLY II	5
COMPONENT ASSEMBLY II LEGEND	6
COMPONENT ASSEMBLY III	7
COMPONENT ASSEMBLY IV	8
CABLE ROUTING	9
WEIGHT STACK ASSEMBLY	10
SUPPLIED ACCESSORIES	11
LAT BAR ASSEMBLY	12
LOW ROW BAR ASSEMBLY	13
HARDWARE BAG	14

GLP-001 LEG PRESS COMPONENT ASSEMBLY I



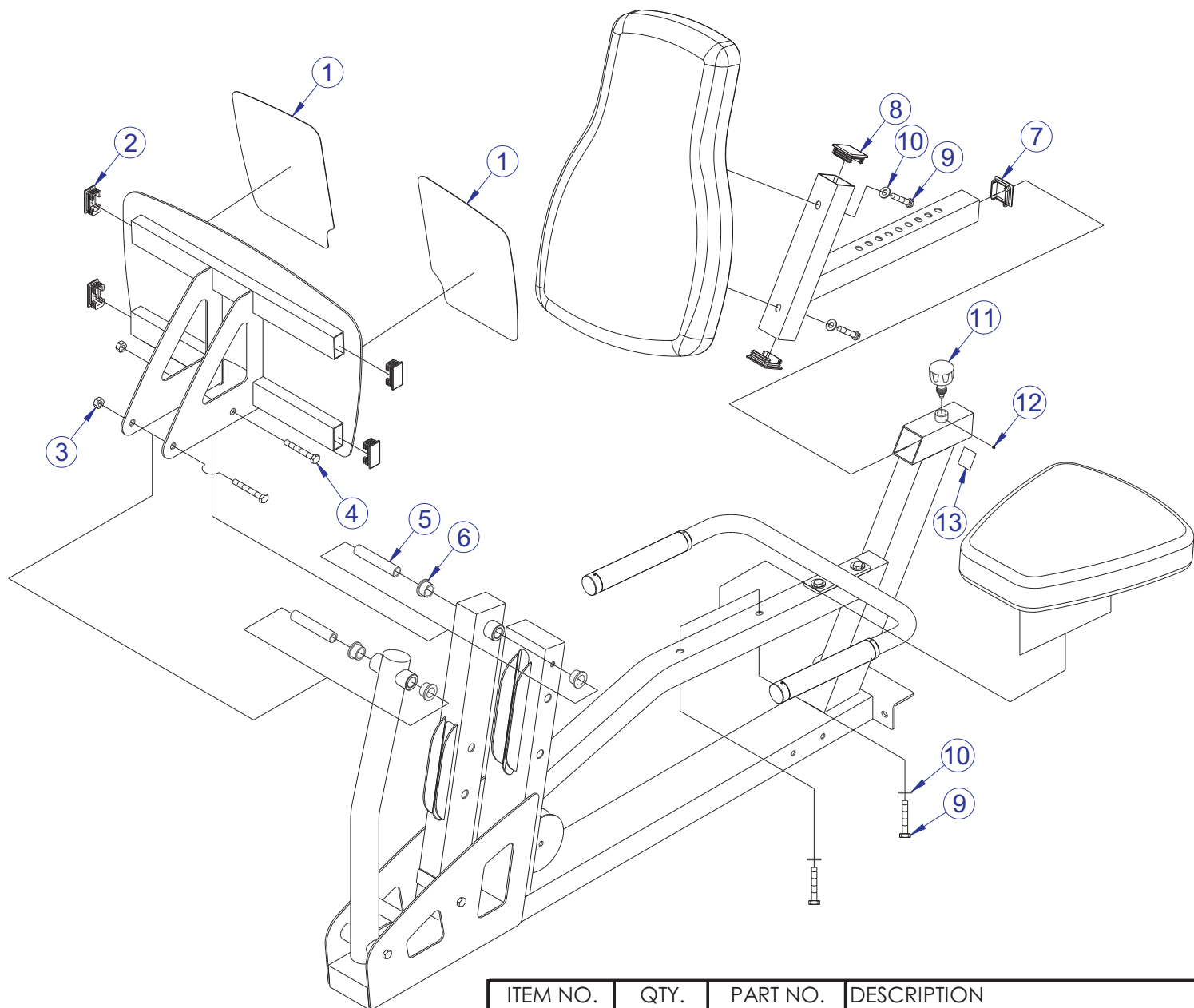
ITEM NO.	QTY.	PART NO.	DESCRIPTION
1	1	8601301	ASSY, LEG PRESS FRAME
2	1	8601701	ASSY, BACK ADJUST
3	1	8601901	ASSY, HANDLE
4	1	8611501	ASSY, MAIN ARM
5	1	8605701	ASSY, SECOND ARM
6	1	8605901	ASSY, FOOT PLATE
7	1	8606301	BRKT PULLEY
8	1	8594301	PAD, CONSUMER, SEAT
9	1	8594201	PAD, CONSUMER, BACK

GLP-001 LEG PRESS COMPONENT ASSEMBLY II



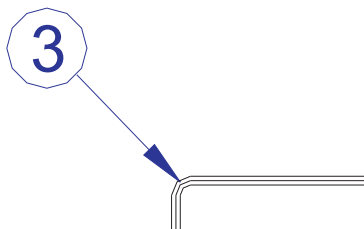
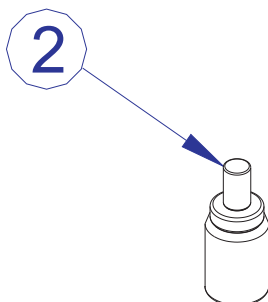
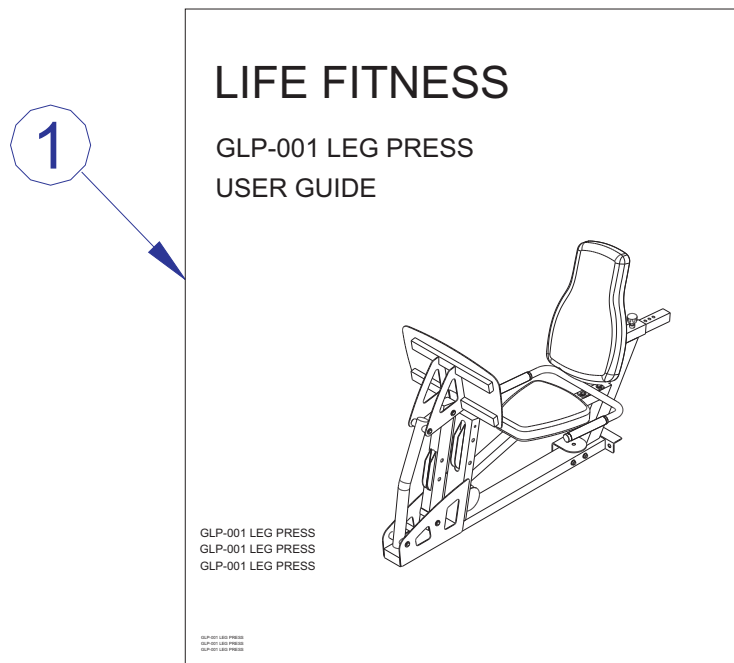
ITEM NO.	QTY.	PART NO.	DESCRIPTION
1	2	8578501	CAP, END DIA 50.8
2	2	8582201	CAP, END 75 X 50
3	4	8608901	BUSHING, STEP 1 X 3/4
4	2	7128201	SHAFT, .75 OD X .52 ID X 3.960
5	2	8590601	BUMPER, 1-1/2 X 2
6	2	8601401	CAP, END, 2 X 4
7	2	8602101	GRIP, HANDLE 1-1/4 X 9-1/2L
8	8	3247701	M4 X 0.7 X 3 HZS NO CUP ST BO
9	2	8588501	COLLAR, SHAFT, AL 32.5 OD X 11.1H
10	2	8587901	CAP AL 38.1 OD X 32.3 ID X 22.2H
11	2	3102904	3/8-16X3 UNS HEX FHB G2 ZN
12	8	3102514	WASHER, FLAT 3/8 IN SAE ST ZN
13	4	3102801	NUT, NYLOCK 1/2-13

GLP-001 LEG PRESS COMPONENT ASSEMBLY III



ITEM NO.	QTY.	PART NO.	DESCRIPTION
1	1	8609901	TAPE, NON-SKID
2	4	8609801	CAP, END 1 X 2
3	2	3102801	NUT, NYLOCK 1/2-13
4	2	3102969	1/2- 13 X 4.75 HEX HEAD BOLT
5	2	7128201	SHAFT, .75 OD X .52 ID X 3.960
6	4	8608901	BUSHING, STEP 1 X 3/4
7	1	8585001	CAP, END 1-3/4
8	2	8585401	CAP, END 2 SQ
9	4	3102904	3/8-16X3 UNS HEX FHB G2 ZN
10	4	3102514	WASHER, FLAT 3/8 IN SAE ST ZN
11	1	8601501	PIN, POP, TIGHTEN DOWN
12	1	3260601	SCREW, SET, M4 X 0.7 X 6L
13	1	8601601	LABEL, SERIAL

GLP-001 LEG PRESS SUPPLIED ACCESSORIES



ITEM NO.	QTY.	PART NO.	DESCRIPTION
1	1	8606201	MANUAL, USER'S, GLP
2	1	8598401	PAINT, TOUCH UP, PLATINUM
3	1	8606101	WRENCH, ALLEN, M2

GLP-001 LEG PRESS HARDWARE BAG

HARDWARE BAG PART NUMBER

8609001

BAG CONTAINS:

Item	Description	UOM	Quantity
3102969	1/2- 13 X 4.75 HEX HEAD BOLT	EA	4
3102904	3/8-16X3 UNS HEX FHB G2 ZN	EA	6
3102514	WASHER, FLAT 3/8 IN SAE ST ZN	EA	8
3102801	NUT, NYLOCK 1/2-13	EA	4
3102802	VMI NUT, NYLOCK 3/8-16	EA	2
7128201	SHAFT, .75 OD X .52 ID X 3.960	EA	4
8606101	WRENCH, ALLEN, M2	EA	1
8590601	BUMPER, 1-1/2 X 2	EA	2

Free Manuals Download Website

<http://myh66.com>

<http://usermanuals.us>

<http://www.somanuals.com>

<http://www.4manuals.cc>

<http://www.manual-lib.com>

<http://www.404manual.com>

<http://www.luxmanual.com>

<http://aubethermostatmanual.com>

Golf course search by state

<http://golfingnear.com>

Email search by domain

<http://emailbydomain.com>

Auto manuals search

<http://auto.somanuals.com>

TV manuals search

<http://tv.somanuals.com>