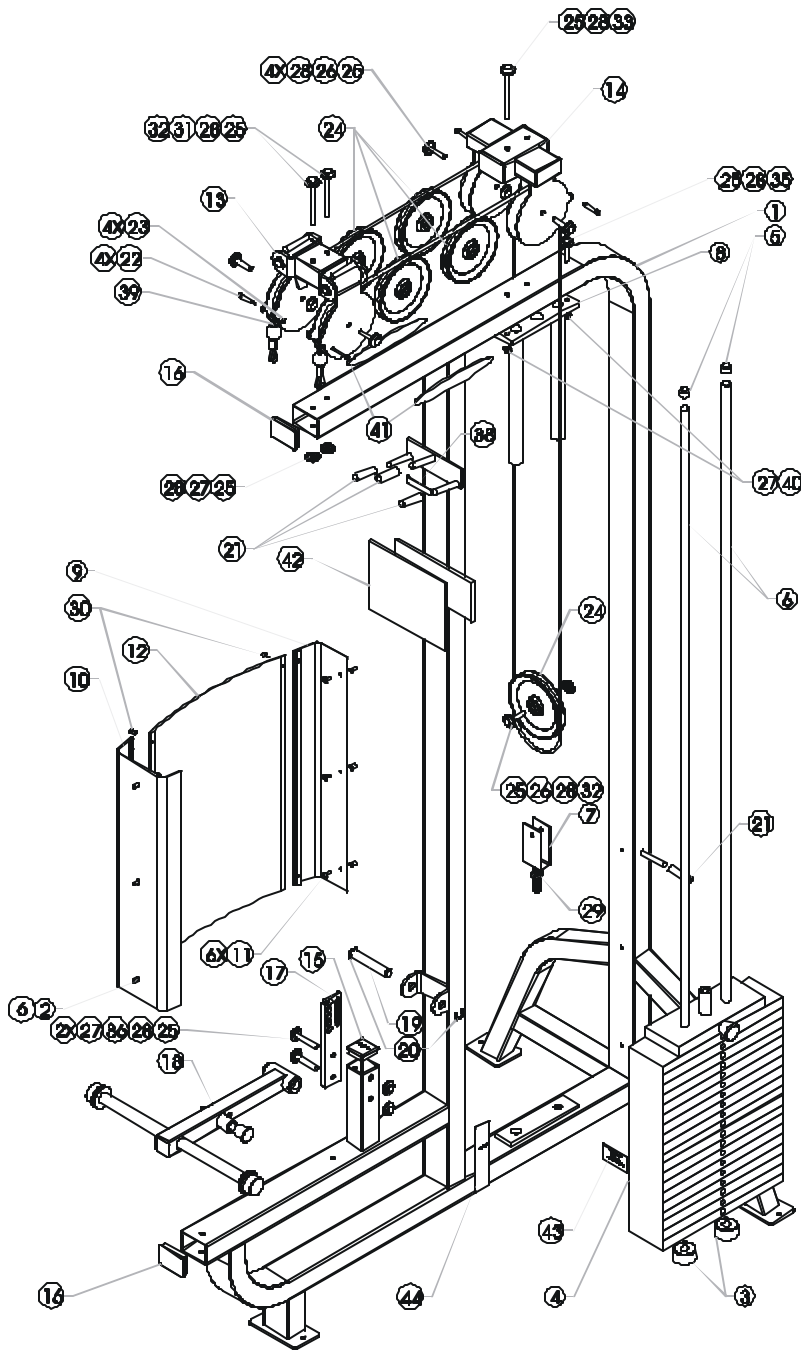


STRENGTH 9000 SERIES TRAINING EQUIPMENT

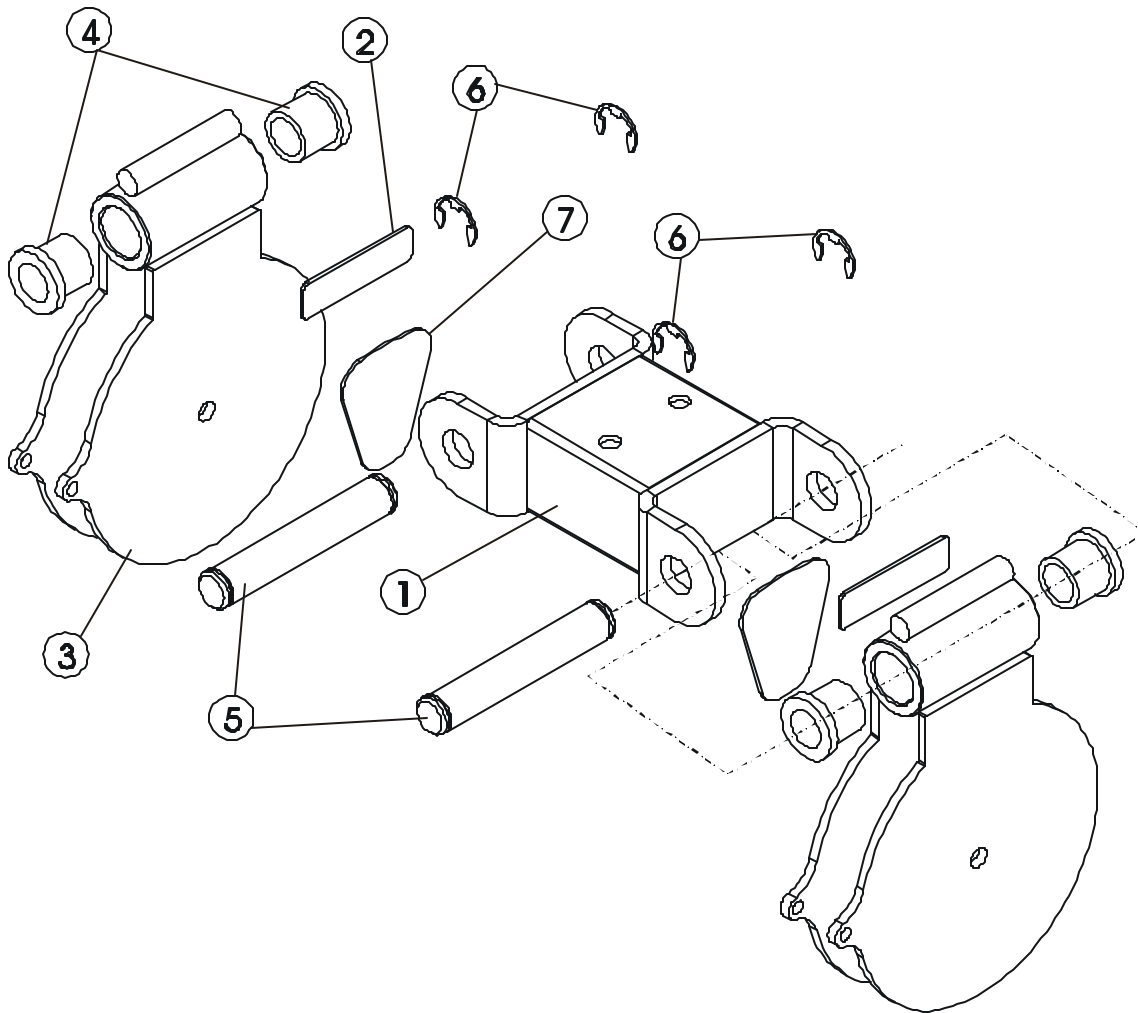
SM15 Dual Adjustable Pulldown



ITEM NO.	QTY.	PART NUMBER	DESCRIPTION
1	1	SM15-FAB00-0000	WELDMENT, SM15 MAIN FRAME
2	6	0017-00103-0212	NUT 10-24 NUTSERT ST ZN
3	2	0017-00042-0993	WEIGHT STACK DONUT 1" THICK
4	1	AK50-WS015	WEIGHT STACK, 300 LB.
5	2	0017-00042-0967	3/4 I.D. BLACK PLASTIC ROD CAP
6	2		GUIDE ROD 0017-00009-0933
7	1	AK50-S0006-0000	PULLEY, FLOATING (MALE)
8	1	AK50-S0033-0000	TOP PLATE STOP
9	1	OK50-E0038	2.5" STANDARD SIDE SHIELD
10	1	OK50-E0039	2.5" WRAP SIDE SHIELD
11	6	0017-00101-1616	10-24 X8 PHL PAN MS ST ZN
12	1	OK50-E0041 (FORMED)	SHEILD, PLASTIC
13	1	SM15-A0003-0000	ASSEMBLY, FRONT PULLEY
14	1	SM15-A0004-0000	WELDMENT, REAR PULLEY
15	1	0017-00042-0958	2X2 BLACK PLASTIC CAP
16	2	0017-00042-0959	2" X 3" X 11 GAUGE BLACK PLATIC
17	1	OK50-P0587-1000	PLATE, SELECTOR
18	1	SM15-A0002-0000	ASSEMBLY, THIGH RESTRAINT
19	1	FB31-M0038-0000	AXEL (2)
20	2	0017-00009-1028	E-CLIP
21	4	0017-00009-0947	2-1/4" NYLON PEG COVER
22	4	0017-00101-1392	1/4 - 20 X 20 HXS SOC SHL G8 ZN
23	4	0017-00103-0228	NUT 10-24 NYLOC D ST ZN
24	5	0017-00009-0978	PULLEY 6" W/ 1" HUB
25	20	0017-00104-0368	CAPLUG WASHER; RHW 205
26	5	0017-00101-1413	3/8 - 16 X 28 UNS HEX BLT G5 ZN
27	11	0017-00103-0217	NUT 3/8 - NYLOC; THIN NY NO
28	20	0017-00042-0969	CAPLUG CAP; RH-20
29	1	0017-00103-0234	NUT 9/16 - 12 JAM D ST ZN
30	2	0017-00101-1587	SHIELD RIVET
31	2	0017-00101-1567	3/8 X 4 1/4 Bolt
32	4	0017-00104-0313	WSH 3/75 - ID 13/32 OD 13/16
33	1	0017-00101-1506	3/8 X 5 Bolt
35	1	0017-00101-1422	3/8 X 3 Bolt
36	2	0017-00101-1417	3/8 X 2-1/2 Bolt
38	1	OK50-P0569-0000	PROTECTION STRIP
39	1	AK50-CL190-0409	ASSEMBLY, SM15 CABLE
40	2	0017-00104-0352	WASHER, FLAT
41	2	OK50-01001-0004	LOGO, LARGE
42	1	SM15-PL000-0001	PLACARD, INSTRUCTION
43	1	M051-00293-A000	WARNING DECAL
44	1	M051-00335-A000	WARNING DECAL

STRENGTH 9000 SERIES TRAINING EQUIPMENT

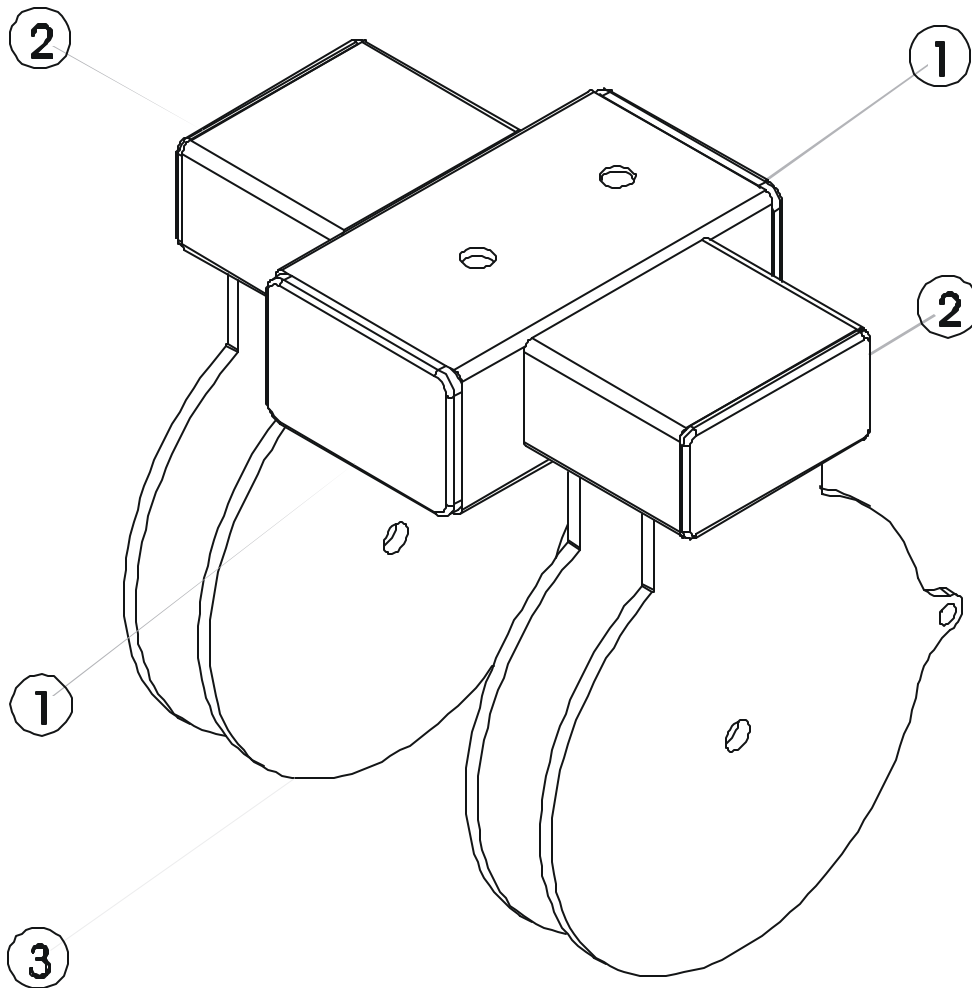
SM15 Front Pulley



ITEM NO.	QTY.	PART NUMBER	DESCRIPTION
1	1	SM15-S0004-0000	WELDMNT, PULLEY BRACKET
2	2	OK50-P0569-0000	PROTECTION STRIP
3	2	AK50-S0032-0000	WELDMNT, SWIVEL PULLEY
4	4	0017-00009-0929	3/4 I.D. OILITE BUSHINB; FLANG
5	2	FB31-M0038-0000	AXEL (2)
6	4	0017-00009-1028	E-CLIP
7	2	OK50-P0567-0000	PROTECTION PAD

STRENGTH 9000 SERIES TRAINING EQUIPMENT

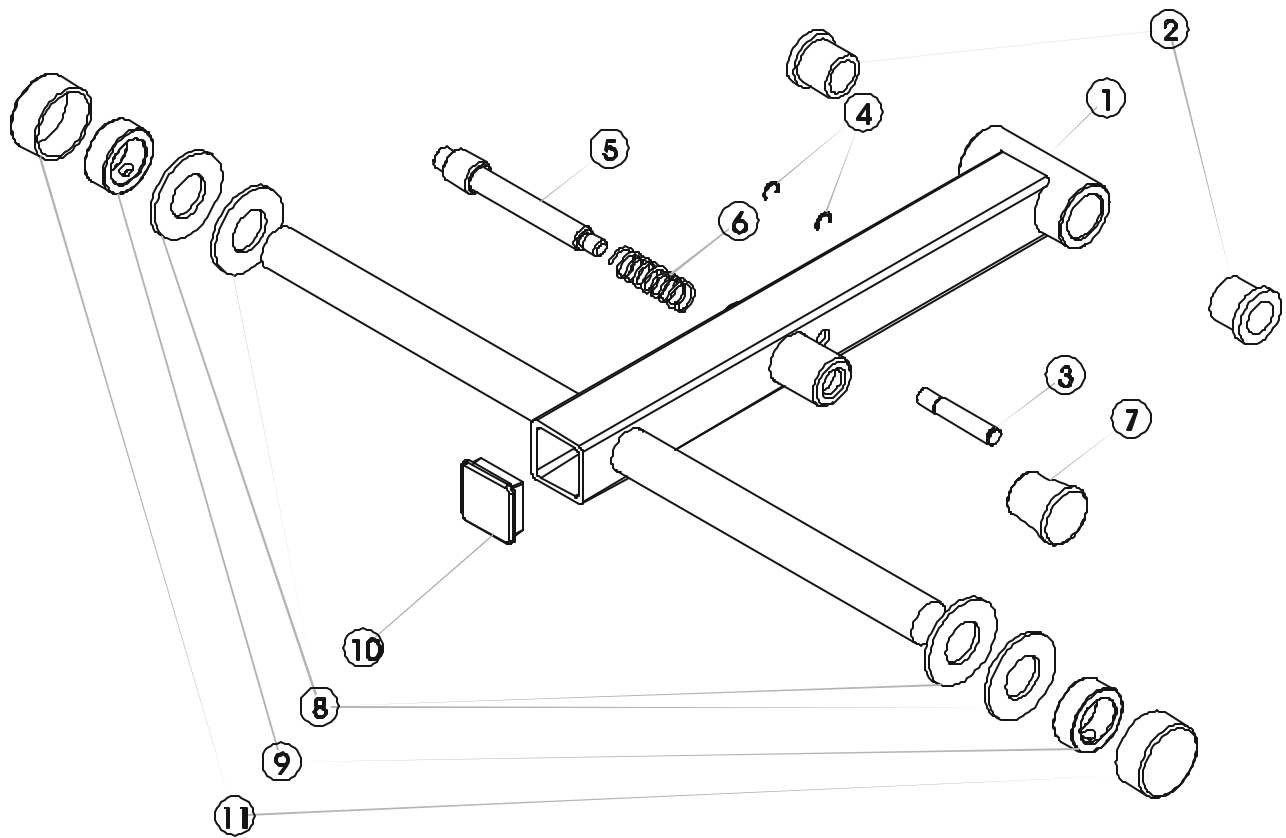
SM15 Rear Pulley



ITEM NO.	QTY.	PART NUMBER	DESCRIPTION
1	2	0017-00042-0959	2" X 3" X 11 GAUGE BLACK PLATIC
2	2	0017-00042-1038	1 1/2 X 3 End Cap
3	1	SM15-S0005-0000	WELDMENT, REAR PULLEY

STRENGTH 9000 SERIES TRAINING EQUIPMENT

SM15 Thigh Resistant

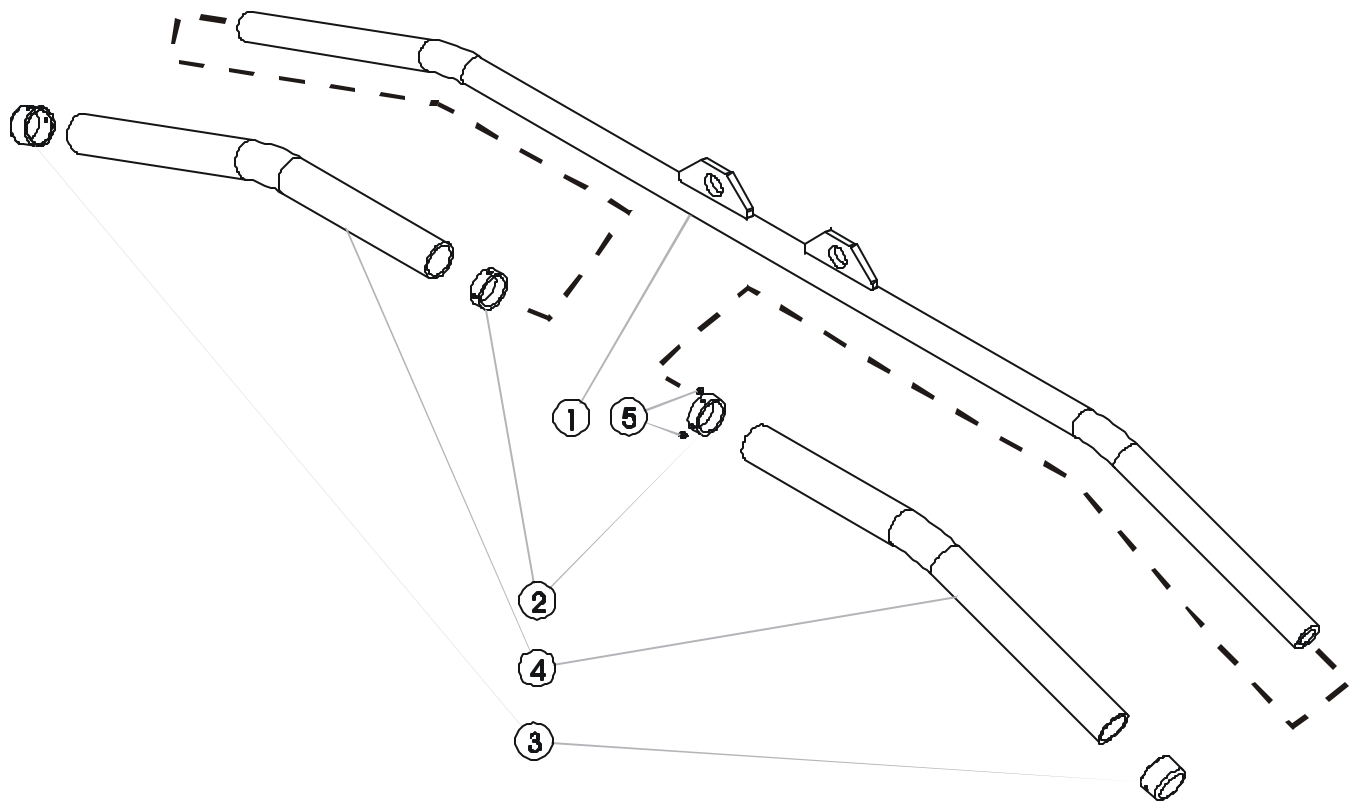


ITEM NO.	QTY.	PART NUMBER	DESCRIPTION
1	1	SM15-S0002-0000	RESTRAINT, THIGH
2	2	0017-00009-0929	3/4 I.D. OILITE BUSHINB; FLANG
3	1	OK50-P0590-0000	PIN, GROOVED STOP
4	2	0017-00100-0190	CLIP, RETAINING
5	1	OK50-P0403-0000	PIN, PULL
6	1	0017-00009-0994	SPRING; PULL PIN LARGE
7	1	0017-00009-1077	KNOB, BLACK TULIP STYLE
8	4	0017-00104-0316	
9	2	0017-00009-0942	1" ID SHAFT COLLAR BORED .020
10	1	0017-00042-0944	1-1/2 X 1-1/2 Endcap
11	2	0017-00042-0953	1.375 X .750 BLACK RUBBER CAP

STRENGTH 9000 SERIES TRAINING EQUIPMENT

SM15 Lat Bar

Assembly Part Number: SK50-S0126-0000



ITEM NO.	QTY.	PART NUMBER	DESCRIPTION
1	1	SM15-S0001-0000	WELDMENT, LAT BAR
2	2	OK50-P0316-2000	COLLAR, ALUMINUM
3	2	OK50-P0315-2000	ALUMINUM END CAP
4	2	0017-00042-0995	GRIP
5	8	0017-00101-1406	10-32 X 1/8" SET SCREW

Free Manuals Download Website

<http://myh66.com>

<http://usermanuals.us>

<http://www.somanuals.com>

<http://www.4manuals.cc>

<http://www.manual-lib.com>

<http://www.404manual.com>

<http://www.luxmanual.com>

<http://aubethermostatmanual.com>

Golf course search by state

<http://golfingnear.com>

Email search by domain

<http://emailbydomain.com>

Auto manuals search

<http://auto.somanuals.com>

TV manuals search

<http://tv.somanuals.com>