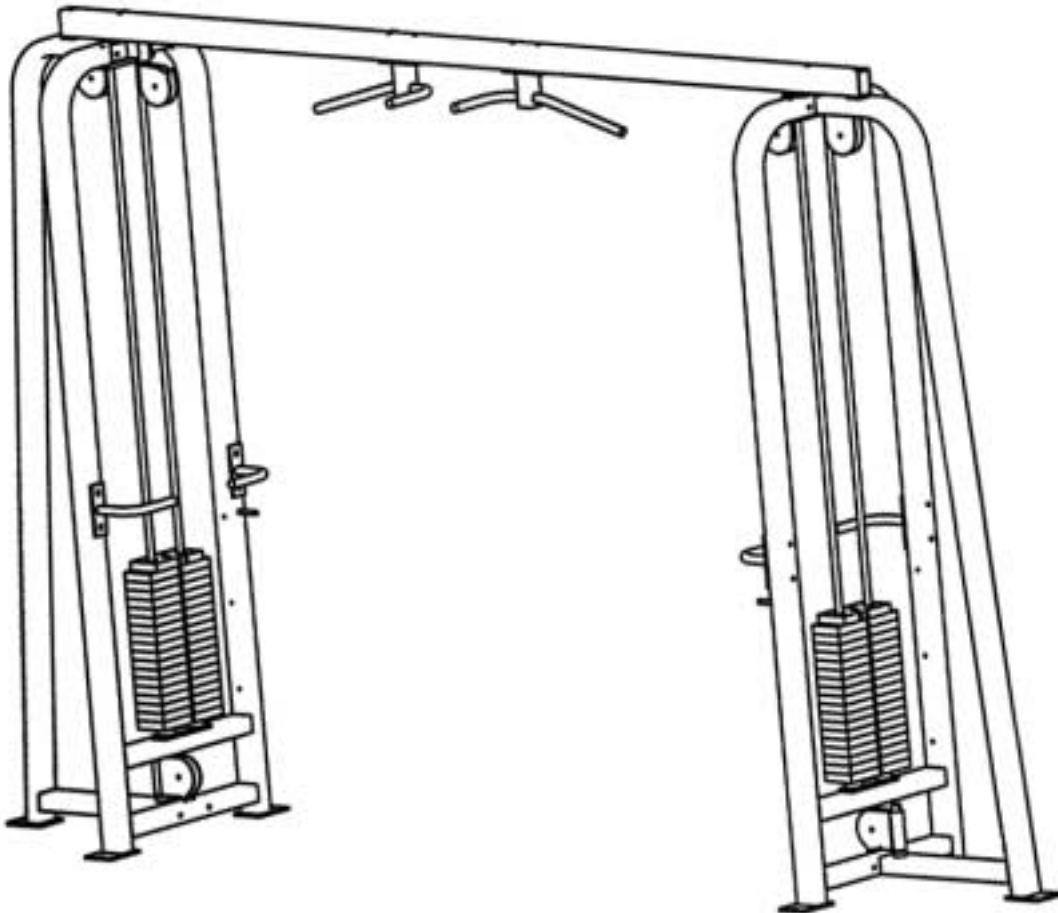




2 STACK MULTI-JUNGLE (SM20) UNPACKING AND ASSEMBLY INSTRUCTIONS

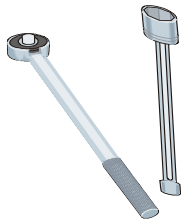


The SM20 comes partially assembled. Follow the steps below to complete the assembly.

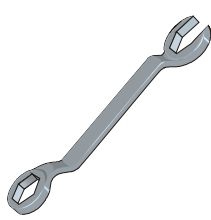


WARNING: COMPONENTS OF THE SM20 ARE LARGE AND HEAVY. USE CAUTION WHEN ASSEMBLING THIS MACHINE.

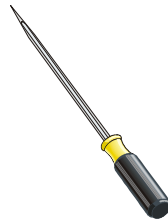
MATERIALS AND TOOLS REQUIRED FOR ASSEMBLY



9/16"
Socket wrench with
extension



9/16"
Combination
wrench



Pinch bar

You will also need a ladder.

ASSEMBLY TIME

Two people can accomplish this assembly in approximately 1/2 hour.

UNPACKING

Follow the steps below when unpacking the components of the SM20.

1. **Cut off the shipping wrapper.**
2. **Remove the parts box and shipping boards.**
3. **Remove the items in the parts box.**

ASSEMBLY

Figure 1 shows an assembled SM20.

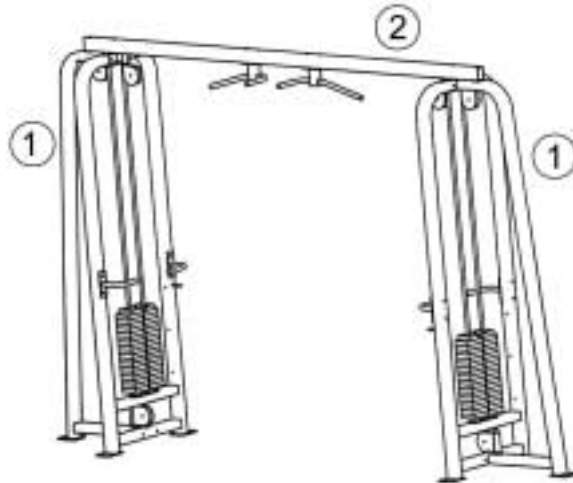


Figure 1. SM20 main components (cables removed for clarity).

1. 1 stack cell (2)
2. Connecting beam

- 1. Place the two weight “cells”** in their final resting spots. The cells will be approximately 11'4” apart as shown in Figure 2.

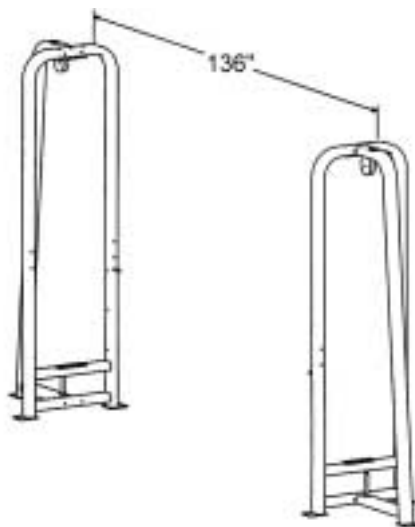


Figure 2. Set the weight stack cells.

3. **Bolt on the connecting beam** using a 5/8" socket with extension and combination wrench, to the cells using the four 7/16" x 6" bolts, 7/16" washers, and 7/16" nuts, end cap washers and end caps. Figure 3 shows the connected cells. You may wish to use a pinch bar to align the bolt holes.

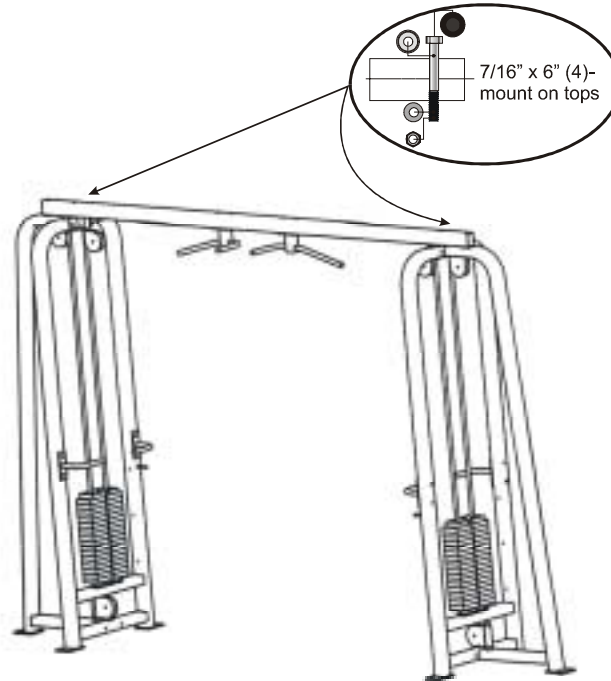


Figure 3. Bolt on the connecting beam.

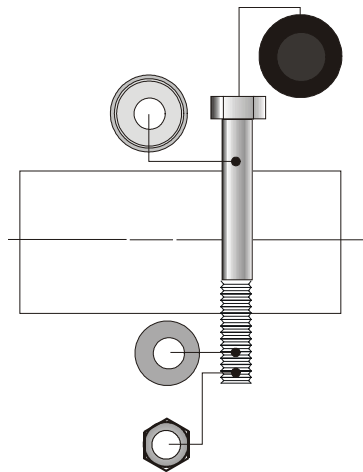


Figure 4. Configuration for 6" bolts.

CROSSOVER CABLE ROUTING

NOTE: THE INFORMATION BELOW IS FOR REFERENCE ONLY. THE CABLES ON THE SM20 HAVE BEEN INSTALLED AT THE FACTORY.

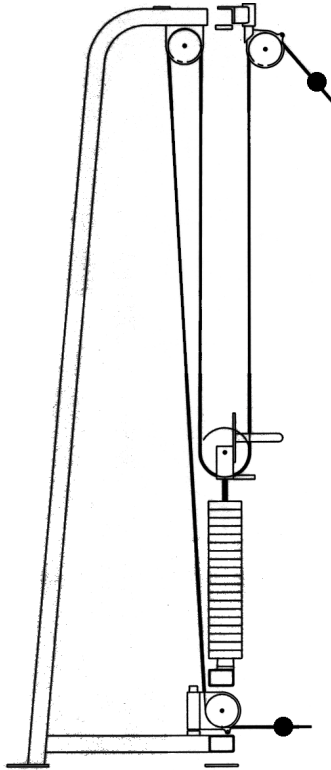


Figure 5. Crossover cable routing.

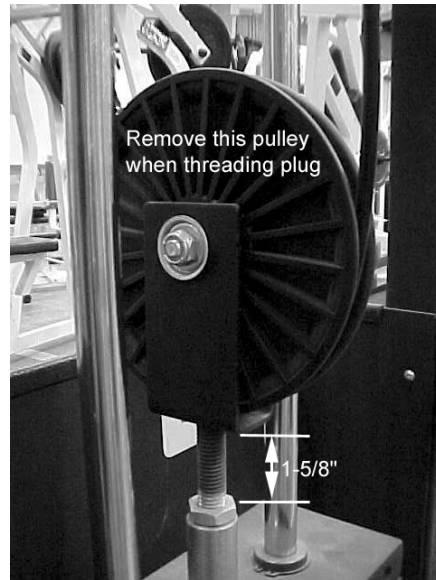
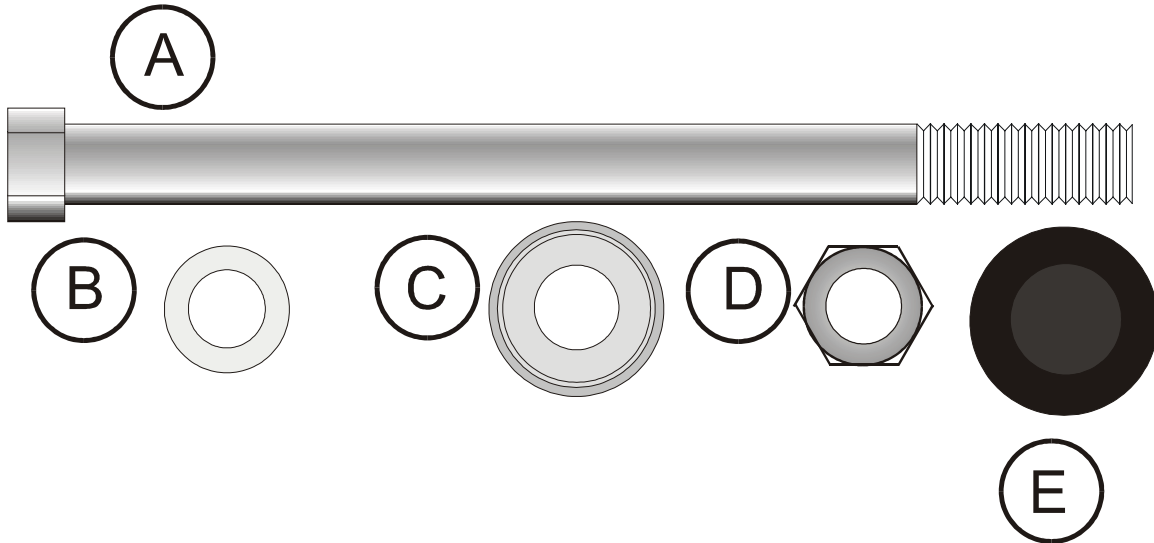


Figure 8. Screw the pulley into the weight stack.

HARDWARE



Hardware Figure 1. Assembly Parts.

The parts shown in Hardware Figure 1 are used to assemble the SM20. They are:

- A. 7/16" x 6" hex head bolt (used to bolt connecting beam to the tops of the cells)
- B. 7/16" flat washer
- C. 7/16" cap washer (use on head end of the 6" bolt so end cap will fit on the nut)
- D. 7/16" hex head nut
- E. End caps (bolt covers)

PARTS LIST Hardware Kit: SK50-S0079-0000

Part #	ID	Description	Quantity
	Main components		
	1	1-stack cell	2
	2	Connecting beam	1
	6" bolt hardware		
0017-00101-1561	A	7/16" x 6" hex head bolt	4
0017-00104-0363	B	7/16" flat washer	4
0017-00104-0366	C	7/16" cap washer	4
0017-00103-0233	D	7/16" Nyloc nut	4
0017-00042-0969	E	End caps	4
	Handle and bar hardware		
		Safety carabiner	2
		Crossover handle	2
		Leg strap	1

Free Manuals Download Website

<http://myh66.com>

<http://usermanuals.us>

<http://www.somanuals.com>

<http://www.4manuals.cc>

<http://www.manual-lib.com>

<http://www.404manual.com>

<http://www.luxmanual.com>

<http://aubethermostatmanual.com>

Golf course search by state

<http://golfingnear.com>

Email search by domain

<http://emailbydomain.com>

Auto manuals search

<http://auto.somanuals.com>

TV manuals search

<http://tv.somanuals.com>