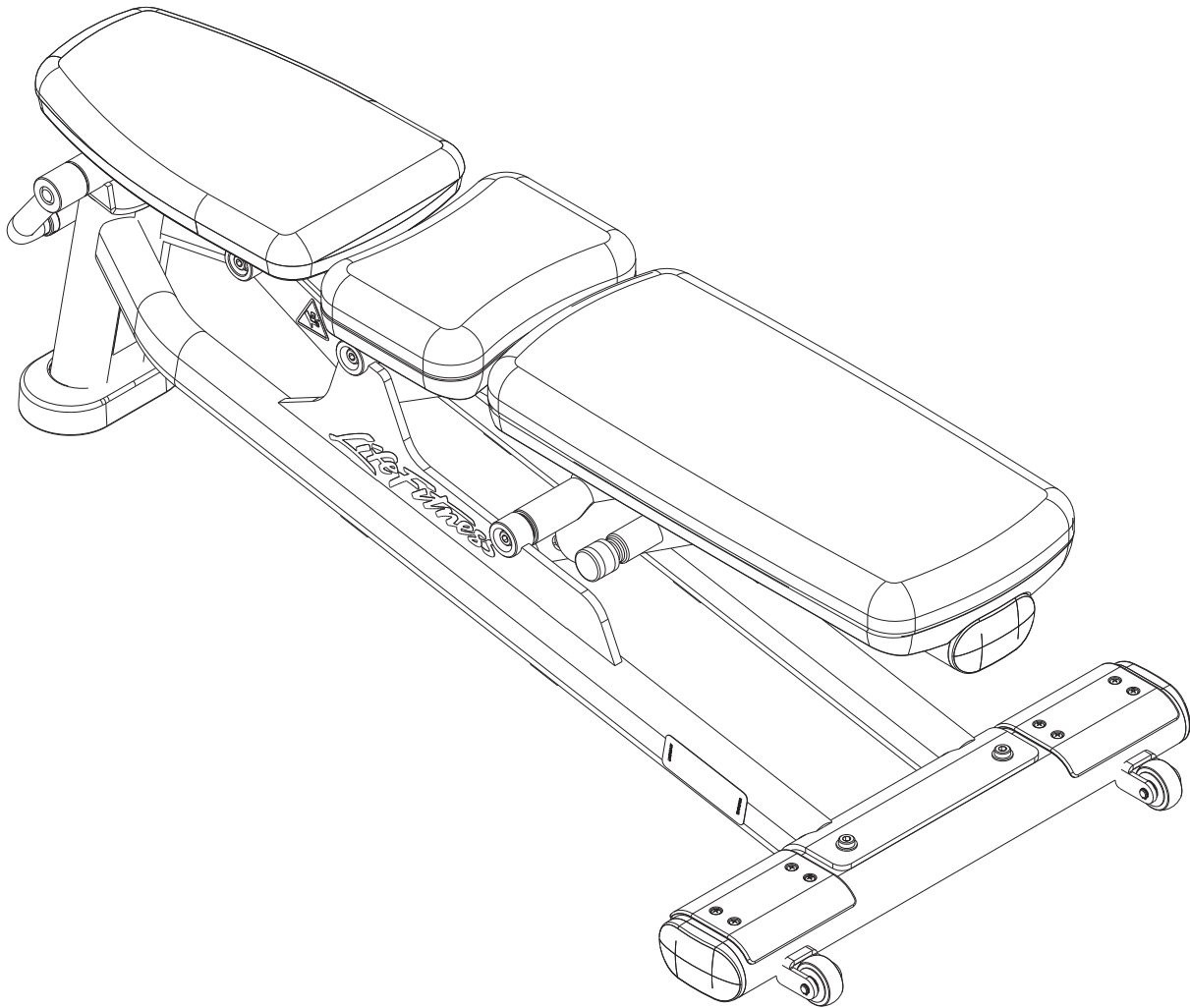




SIGNATURE SERIES  
SMAB  
SIGNATURE MULTI ADJUSTABLE BENCH



Customer Support Services  
**PARTS LIST**

# SMAB SIGNATURE MULTI ADJUSTABLE BENCH CONTENTS

---

|                           | PAGE |
|---------------------------|------|
| COMPONENT ASSEMBLY        | 3    |
| COMPONENT ASSEMBLY LEGEND | 4    |
| FRAME ASSEMBLY            | 5    |
| FRAME ASSEMBLY LEGEND     | 6    |
| BACK PAD SUPPORT ASSEMBLY | 7    |
| SEAT ADJUSTMENT ASSEMBLY  | 8    |
| BASE FRAME ASSEMBLY       | 9    |
| IMAGE                     | 10   |

---

NOTE: SUBSTITUTE PART NUMBERS ENDING WITH 'XX' WITH THE REQUIRED COLOR CODES.

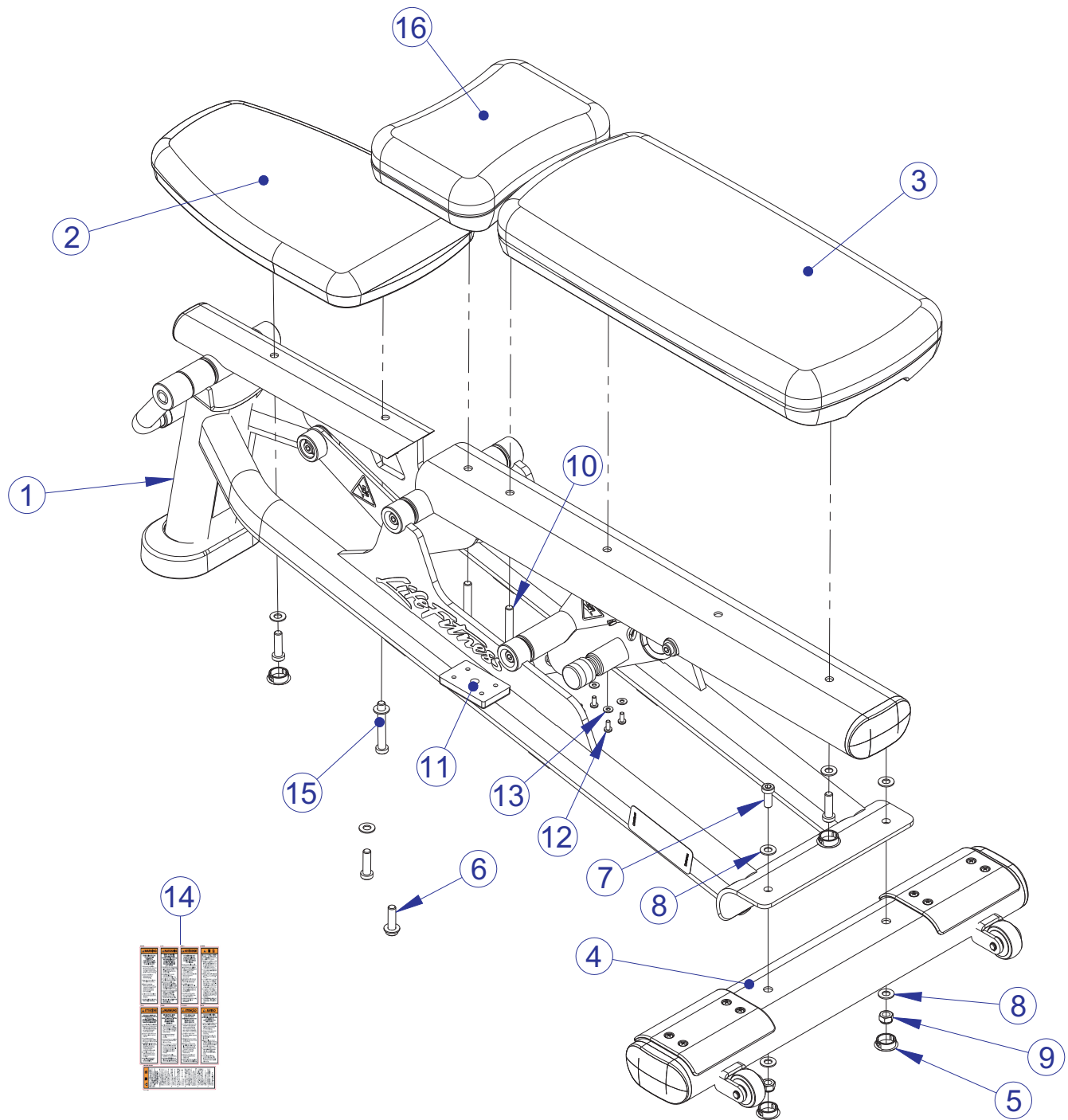
## FRAME

01 = WHITE  
02 = PLATINUM  
03 = BLACK

## PADS

01 = BLACK  
99 = CUSTOM

# SMAB SIGNATURE MULTI ADJUSTABLE BENCH COMPONENT ASSEMBLY



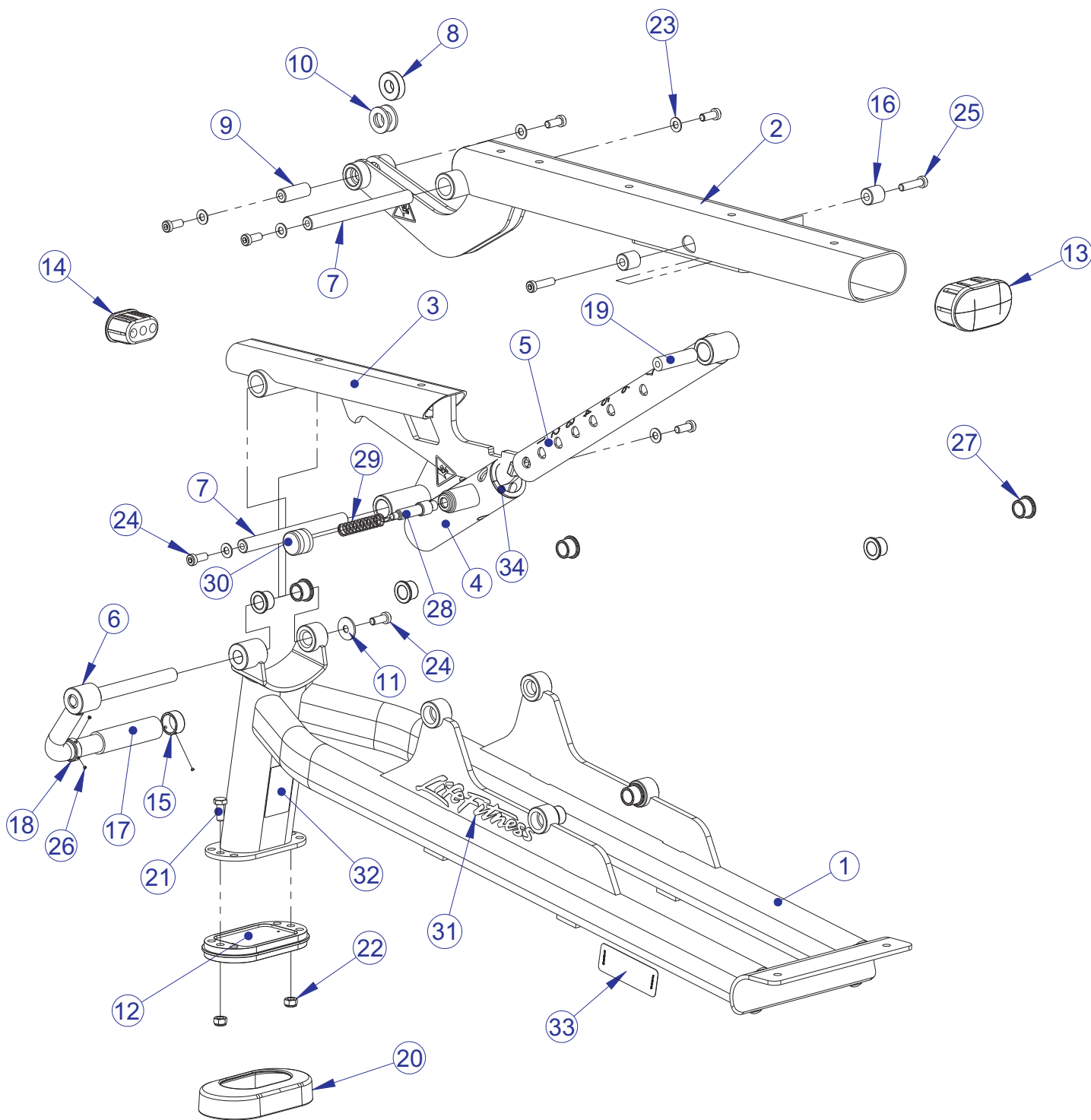
SEE PAGE 4 FOR LEGEND

# SMAB SIGNATURE MULTI ADJUSTABLE BENCH COMPONENT ASSEMBLY LEGEND

---

| ITEM NO. | QTY. | PART NO. | DESCRIPTION                             |
|----------|------|----------|---|
| 1        | 1    | 81815XX  | ASSY, SMAB, FRAME                       |
| 2        | 1    | 78138XX  | PAD, 10 X 16 TAPERED CONVEX             |
| 3        | 1    | 78140XX  | PAD, 24 X 11 FLAT                       |
| 4        | 1    | 80987XX  | PTD ASSY, SMAB, BASE FRAME              |
| 5        | 4    | 3237403  | PLUG, 1" HOLE                           |
| 6        | 4    | 3256204  | SCREW, M10 X 1.5 35MM ZN                |
| 7        | 2    | 3256202  | SCREW, M10 X 1.5 25MM ZN                |
| 8        | 10   | 3102514  | WASHER, FLAT 3/8" SAE ST ZN             |
| 9        | 2    | 3242002  | NUT, M10 X 1.5 HEX NYLOCK               |
| 10       | 2    | 3256216  | SCREW, M10 X 1.5 95MM ZN                |
| 11       | 1    | 7810801  | PAD, RUBBER FOOT                        |
| 12       | 4    | 3239102  | SCREW, M5 X .8 X 12 PHL PAN TT ST BZ    |
| 13       | 4    | 3114407  | WASHER, FLAT #10 SAE ST BZ              |
| 14       | 1    | 8137701  | DECAL, WARNING, HORIZ, MULTI-LANG SHEET |
| 15       | 1    | 3256211  | SCREW, M10 X 1.5 70MM ZN                |
| 16       | 1    | 80325XX  | PAD, 8 X 11 LUMBAR                      |

# SMAB SIGNATURE MULTI ADJUSTABLE BENCH FRAME ASSEMBLY - 81815XX



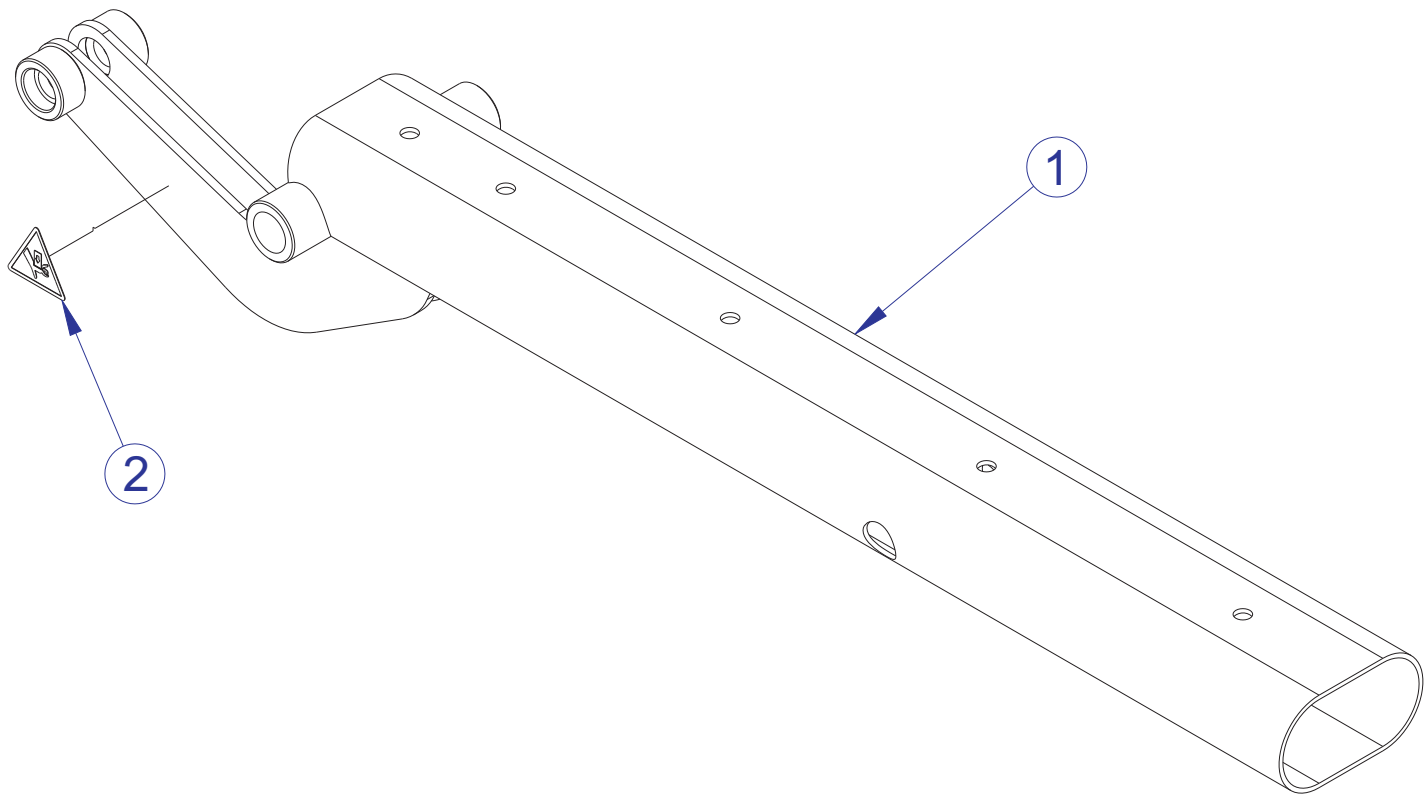
SEE PAGE 6 FOR LEGEND

# SMAB SIGNATURE MULTI ADJUSTABLE BENCH FRAME ASSEMBLY LEGEND

| ITEM NO. | QTY. | PART NO. | DESCRIPTION  |
|----------|------|----------|--|
| 1        | 1    | 81800XX  | ASSY, SMAB, FRAME                                  |
| 2        | 1    | 82441XX  | ASSY, SMAB, BACK PAD SPRT                          |
| 3        | 1    | 81799XX  | WLDMT, SMAB, SEAT                                  |
| 4        | 1    | 82442XX  | ASSY, SMAB, SEAT ADJ                               |
| 5        | 1    | 81379XX  | WLDMT, SMAB, SEAT SELECTOR TUBE                    |
| 6        | 1    | 8353901  | PTD ASSY, SMAB, HANDLE                             |
| 7        | 2    | 8181301  | SHAFT, 0.75" DIAM                                  |
| 8        | 1    | 8181001  | BEARING, BALL, 6203-2Z, SMAB                       |
| 9        | 1    | 8181401  | SHAFT, SMAB, SEAT FRONT PIVOT                      |
| 10       | 2    | 3102513  | WASHER, FLAT 3/4 SAE ST ZN                         |
| 12       | 1    | 7763001  | FOOT, 2.20 X 4.49 FLOV                             |
| 13       | 1    | 7800401  | CAP, LRG FLOV END                                  |
| 14       | 1    | 7800501  | CAP, SML FLOV END                                  |
| 15       | 1    | 7662901  | CAP, GRIP 1.25 OD                                  |
| 16       | 2    | 8140201  | SPACER, 0.94 OD X .42 ID X 1" LONG                 |
| 17       | 1    | 8245801  | GRIP, 1.50 OD X 4.5"L                              |
| 18       | 1    | 7662801  | RING, GRIP 1.25 OD                                 |
| 19       | 1    | 8140101  | SHAFT; PIVOT, SMAB                                 |
| 20       | 1    | 7340201  | COVER; FOOT - STRAIGHT                             |
| 21       | 2    | 3251202  | M10 X 1.5 X 25MM UNS HEX CS ST ZN                  |
| 22       | 2    | 3242002  | NUT, M10 X 1.5 HEX NYLOCK                          |
| 23       | 6    | 3102514  | WASHER, FLAT 3/8" SAE ST ZN                        |
| 24       | 6    | 3256202  | SCREW, M10 X 1.5 25MM ZN                           |
| 25       | 2    | 3256205  | SCREW, M10 X 1.5 40MM ZN                           |
| 26       | 4    | 3247701  | M4 X 0.7 X 3 HZS NO CUP ST BO                      |
| 27       | 8    | 3104901  | BEARING, FLG .75 ID X 1.00 OD                      |
| 28       | 1    | 7351302  | PIN, PULL X 3.375                                  |
| 29       | 1    | 7351501  | SPRING; PULL PIN LARGE                             |
| 30       | 1    | 7424801  | KNOB, POP PIN                                      |
| 31       | 2    | 7865201  | LABEL, LIFE FITNESS LOGO                           |
| 32       | 1    | 8106801  | LABEL, SERIAL NUMBER, LARGE                        |
| 33       | 1    | 7002501  | LABEL; H WARNING 4.5 X 1.625                       |
| 34       | 2    | 8087201  | BUSHING, SLIP TUBE, PLASTIC, 55.3MM OD X 45.2MM ID |

# SMAB SIGNATURE MULTI ADJUSTABLE BENCH BACK PAD SUPPORT ASSEMBLY - 82441XX

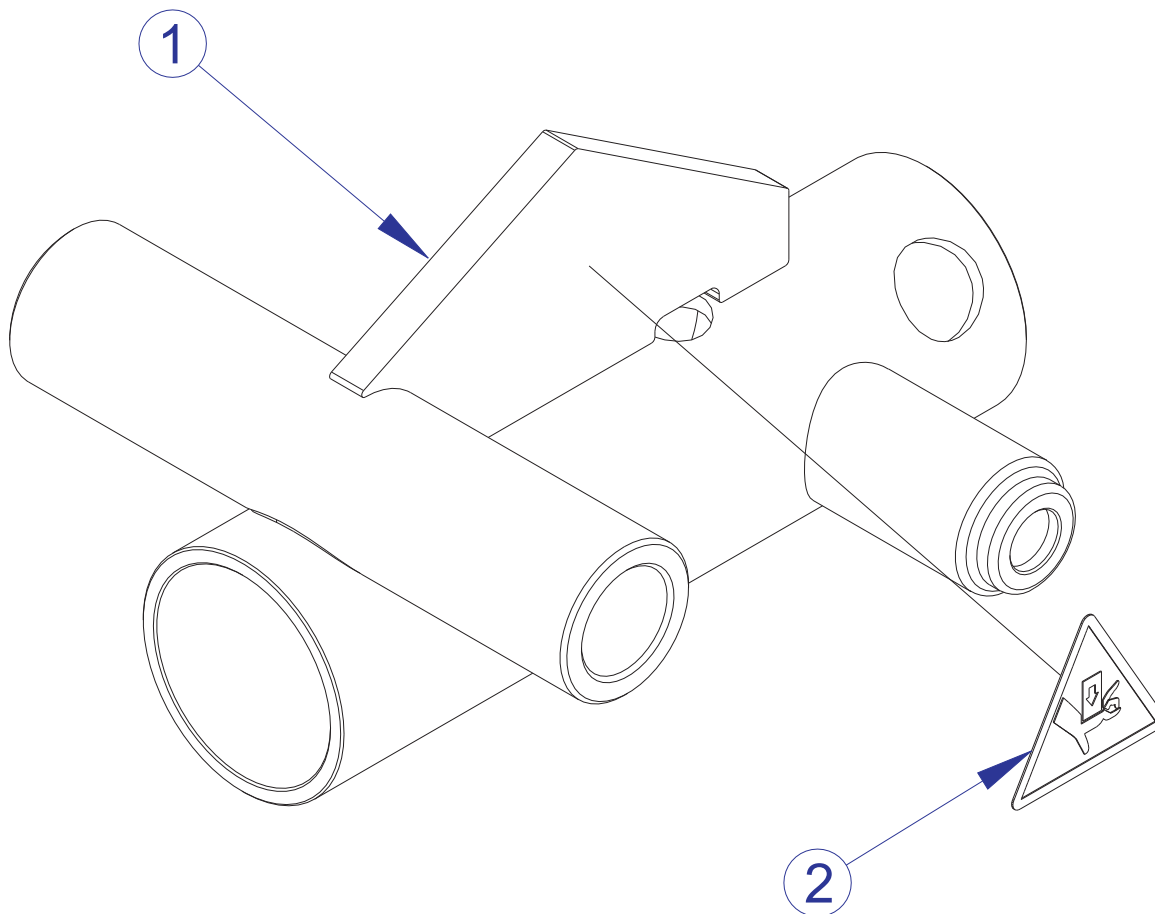
---



| ITEM NO. | QTY. | PART NO. | DESCRIPTION               |
|----------|------|----------|---------------------------|
| 1        | 1    | 82441XX  | ASSY, SMAB, BACK PAD SPRT |
| 2        | 2    | 8039501  | LABEL, WARNING, TRIANGLE  |

# SMAB SIGNATURE MULTI ADJUSTABLE BENCH SEAT ADJUSTMENT ASSEMBLY - 82442XX

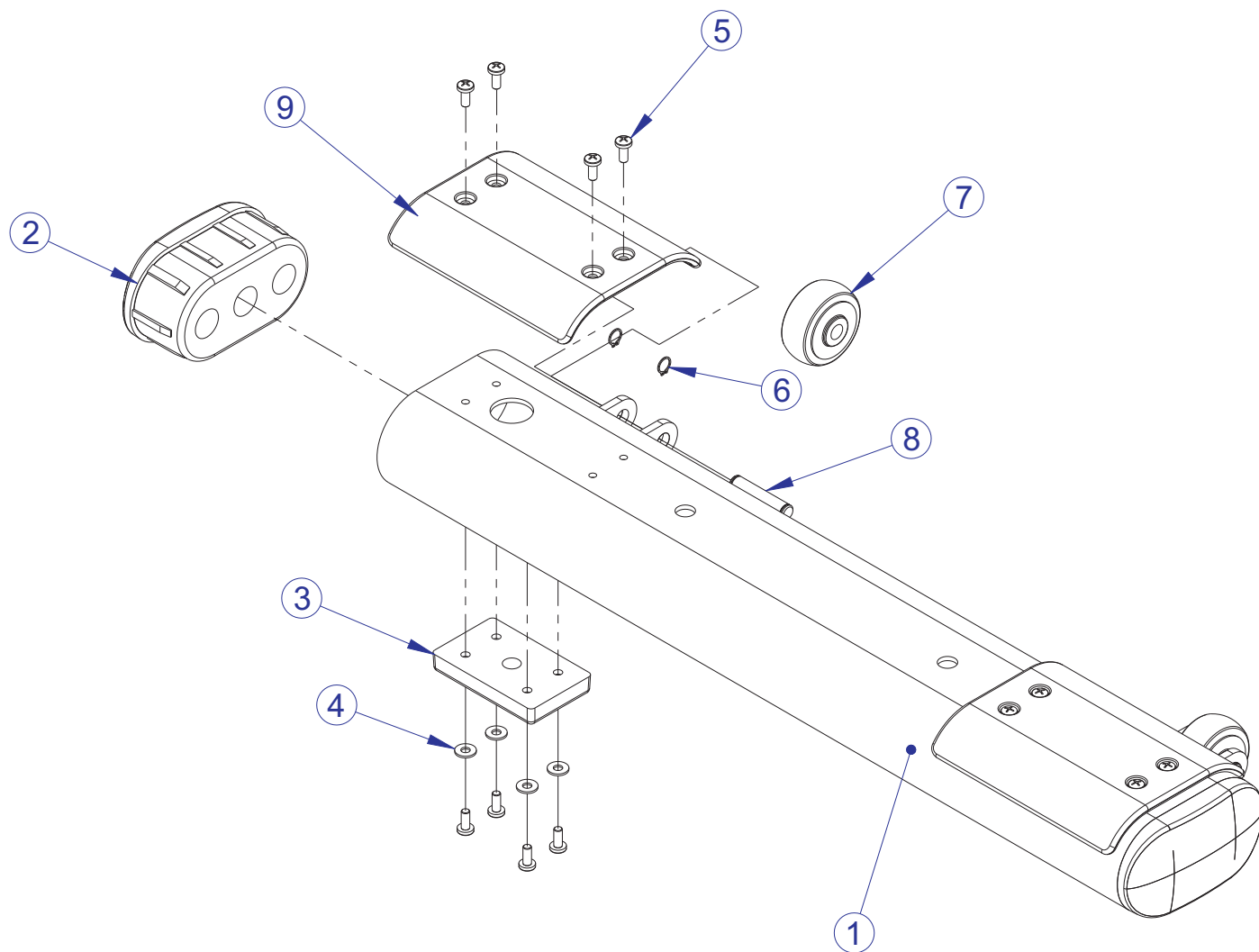
---



| ITEM NO. | QTY. | PART NO. | DESCRIPTION              |
|----------|------|----------|--------------------------|
| 1        | 1    | 82442XX  | ASSY, SMAB, SEAT ADJ     |
| 2        | 2    | 8039501  | LABEL, WARNING, TRIANGLE |



# SMAB SIGNATURE MULTI ADJUSTABLE BENCH BASE FRAME ASSEMBLY - 80987XX



| ITEM NO. | QTY. | PART NO. | DESCRIPTION                          |
|----------|------|----------|--------------------------------------|
| 1        | 1    | 80986XX  | WLDMT, SMAB, BASE SPPRT              |
| 2        | 2    | 7800401  | CAP, LRG FLOV END                    |
| 3        | 2    | 7810801  | PAD, RUBBER FOOT                     |
| 4        | 8    | 3114407  | WASHER, FLAT #10 SAE ST BZ           |
| 5        | 16   | 3239102  | SCREW, M5 X .8 X 12 PHL PAN TT ST BZ |
| 6        | 4    | 3232405  | RNG, BRE .352,5100-37,ST,PP,B        |
| 7        | 2    | 7656301  | WHEEL, 2 OD X 3/8 ID RUBBER          |
| 8        | 2    | 7705302  | AXLE, WHEEL                          |
| 9        | 2    | 7821701  | GUARD, PAINT, SHORT                  |

# SMAB SIGNATURE MULTI ADJUSTABLE BENCH IMAGE

---



## Free Manuals Download Website

<http://myh66.com>

<http://usermanuals.us>

<http://www.somanuals.com>

<http://www.4manuals.cc>

<http://www.manual-lib.com>

<http://www.404manual.com>

<http://www.luxmanual.com>

<http://aubethermostatmanual.com>

Golf course search by state

<http://golfingnear.com>

Email search by domain

<http://emailbydomain.com>

Auto manuals search

<http://auto.somanuals.com>

TV manuals search

<http://tv.somanuals.com>