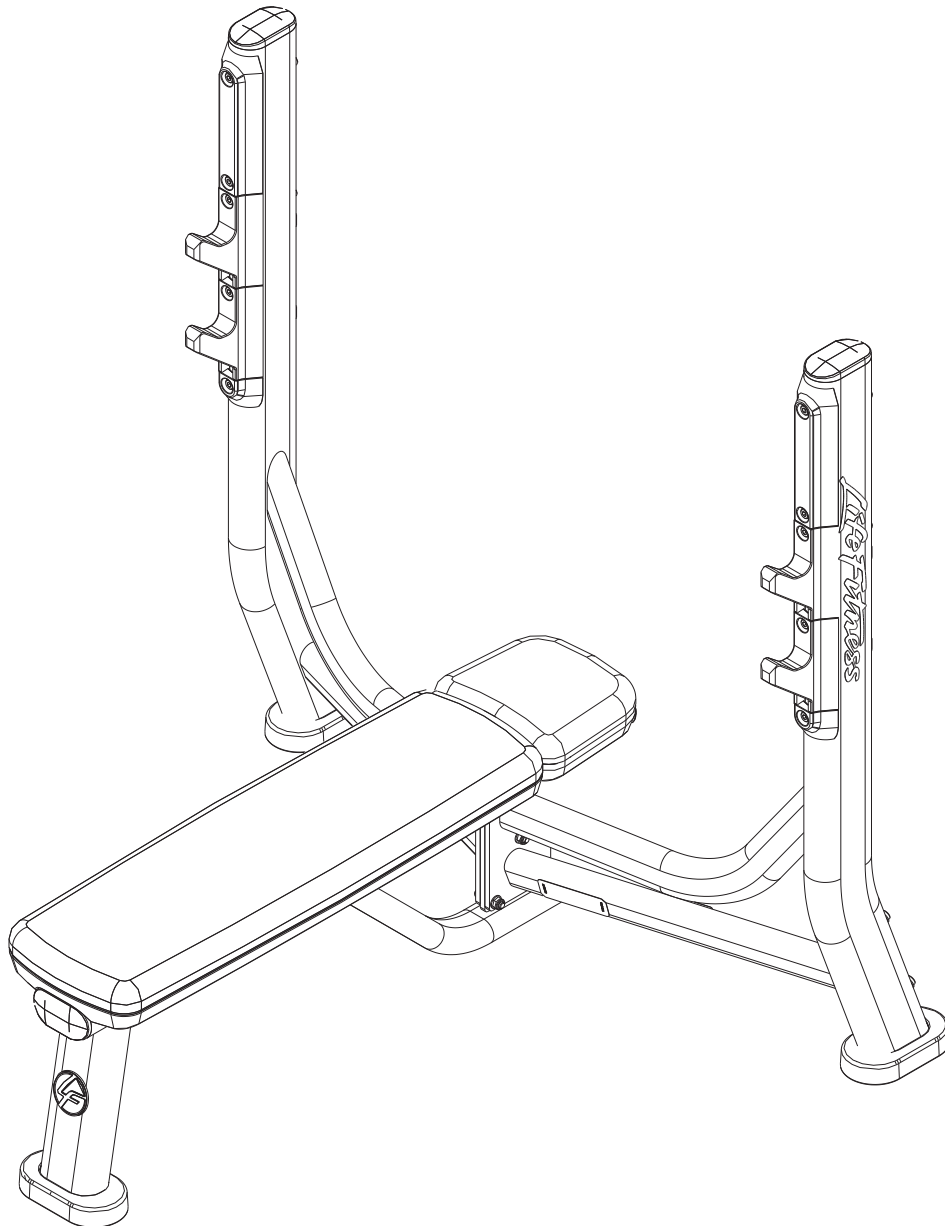




SIGNATURE SERIES
SOFB-002
SIGNATURE OLYMPIC FLAT BENCH



Customer Support Services
PARTS LIST

SOFB-002 SIGNATURE OLYMPIC FLAT BENCH CONTENTS

	PAGE
COMPONENT ASSEMBLY	3
COMPONENT ASSEMBLY LEGEND	4
CENTER FRAME ASSEMBLY	5
CENTER FRAME ASSEMBLY LEGEND	6
LEFT UPRIGHT ASSEMBLY	7
LEFT UPRIGHT ASSEMBLY LEGEND	8
RIGHT UPRIGHT ASSEMBLY	9
RIGHT UPRIGHT ASSEMBLY LEGEND	10
IMAGE	11

NOTE: SUBSTITUTE PART NUMBERS ENDING WITH 'XX' WITH THE REQUIRED COLOR CODES.

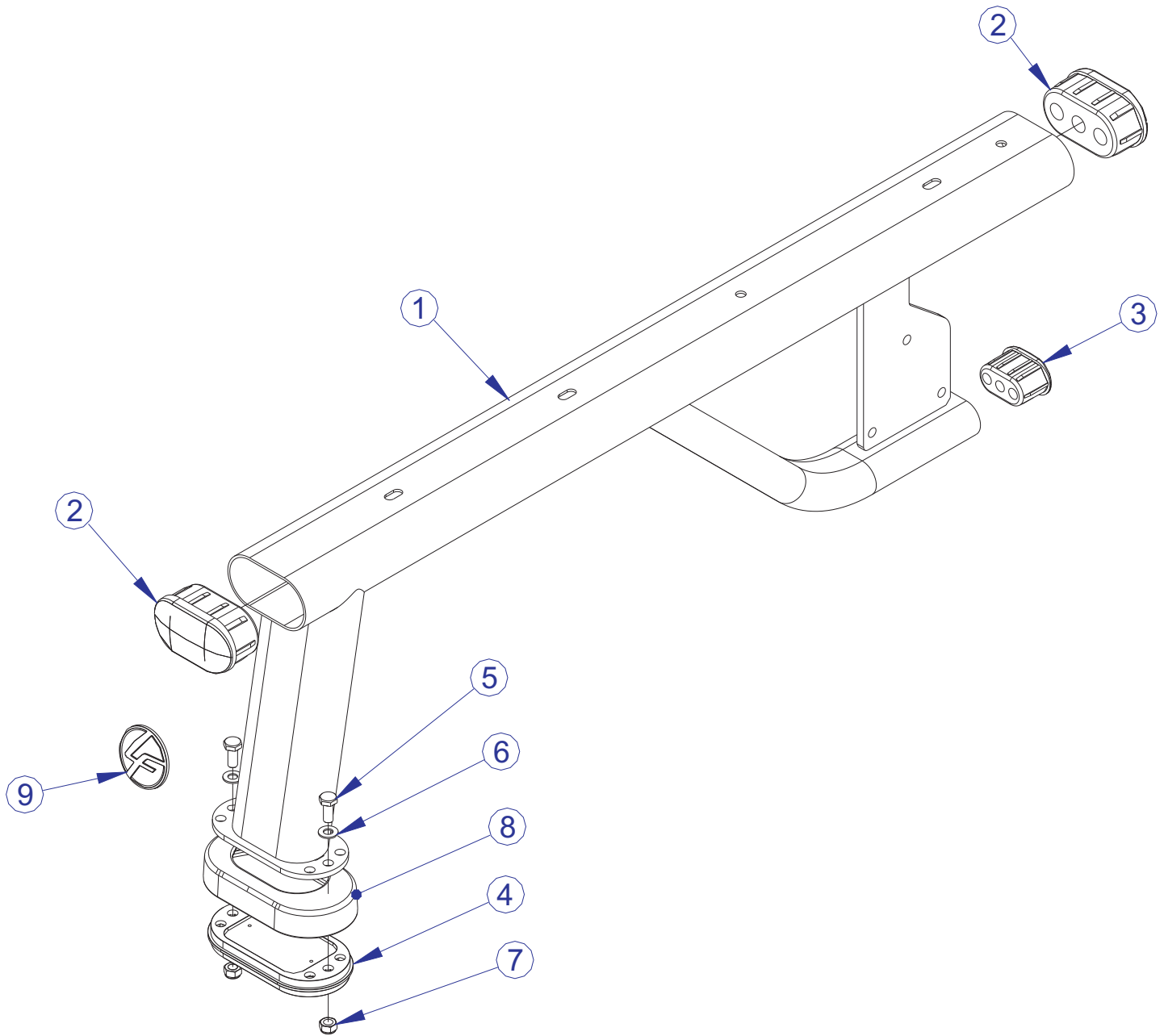
<u>FRAME</u>	<u>PADS</u>
01 = WHITE	01 = BLACK
02 = PLATINUM	99 = CUSTOM

NOTE: PEGS ON VERSION 2 UPRIGHTS HAVE BEEN RAISED. REV 1 AND REV 2 UPRIGHTS ARE NOT COMPATIBLE.

SOFB-002 SIGNATURE OLYMPIC FLAT BENCH COMPONENT ASSEMBLY LEGEND

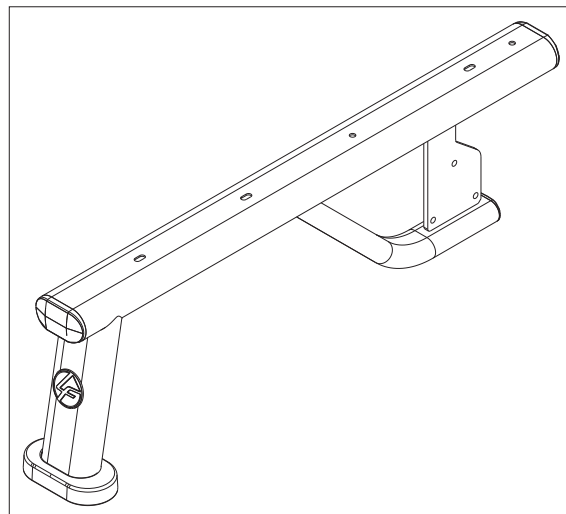
ITEM NO.	QTY.	PART NO.	DESCRIPTION
1	1	78521XX	PTD ASSY, SOFB, CENTER FRAME
2	1	85036XX	PTD ASSY, SOFB, UPRIGHT LEFT
3	1	85034XX	PTD ASSY, SOFB, UPRIGHT RIGHT
4	5	3256204	SCREW, M10 X 1.5 35MM
5	4	3256206	SCREW, M10 X 1.5 45MM ZN
6	4	3242002	NUT, M10 X 1.5 HEX NYLOCK
7	1	78219XX	PAD, HEAD REST
8	1	78218XX	PAD, 36 X 11 FLAT
9	13	3102514	WASHER, FLAT 3/8 IN SAE ST ZN
10	5	3237403	PLUG, 1" HOLE
11	1	8137701	DECAL, WARNING, HORIZ, MULTI-LANG SHT, 10-0109-016, BNR

SOFB-002 SIGNATURE OLYMPIC FLAT BENCH CENTER FRAME ASSEMBLY - 78521XX



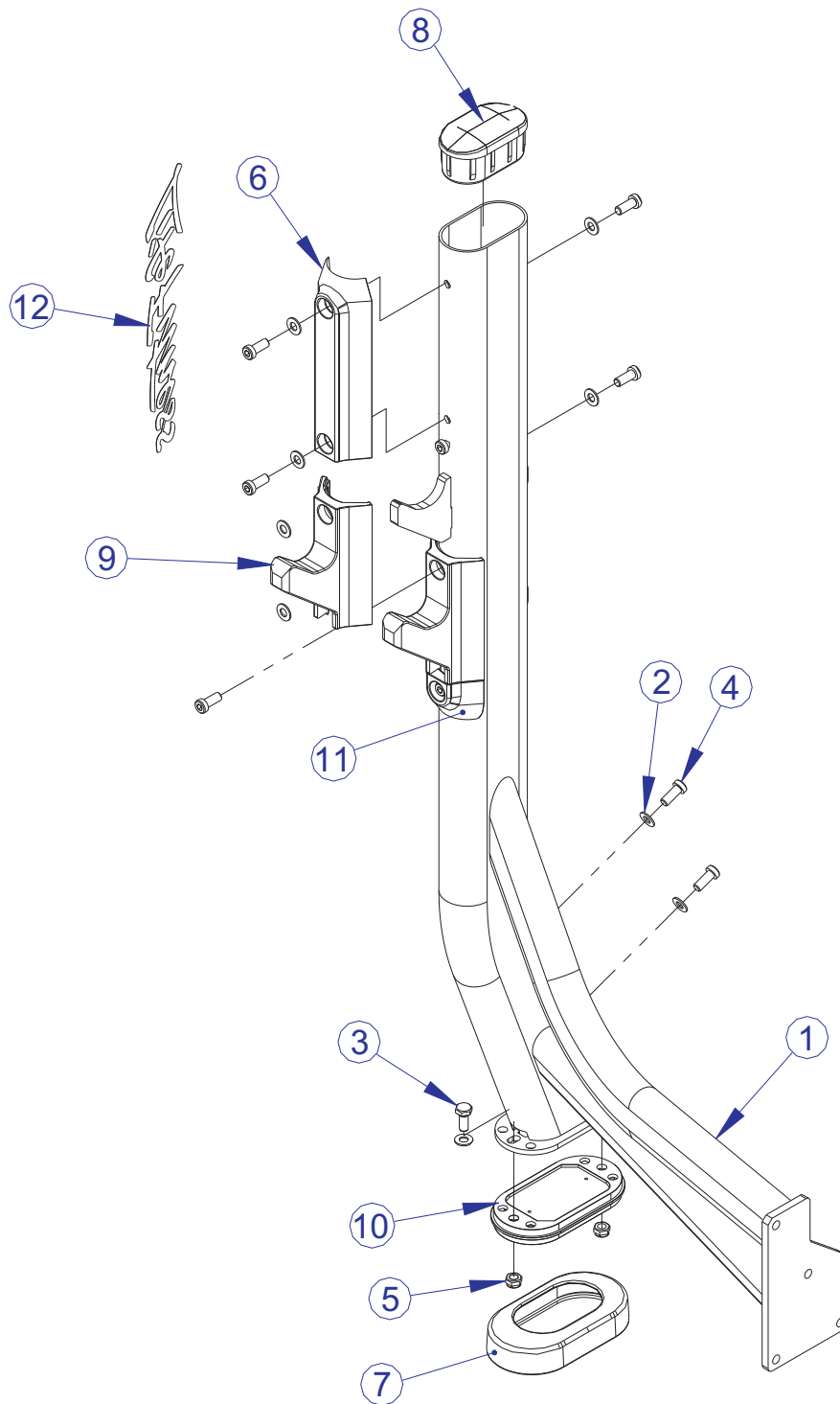
SEE PAGE 6 FOR LEGEND

SOFB-002 SIGNATURE OLYMPIC FLAT BENCH CENTER FRAME ASSEMBLY LEGEND



ITEM NO.	QTY.	PART NO.	DESCRIPTION
1	1	78039XX	WLDMT, SOFB, CENTER FRAME
2	2	7800401	CAP, LRG FLOV END
3	1	7800501	CAP, SML FLOV END
4	1	7334001	FOOT, 2.50 X 4.49 FLOV
5	2	3251202	SCREW, M10 X1.5 X 25MM UNS HEX CS ST ZN
6	2	3102514	WASHER, FLAT 3/8" SAE ST ZN
7	2	3242002	NUT, M10 X 1.5 HEX NYLOCK
8	1	7340201	COVER, FOOT - STRAIGHT
9	1	AK58-00245-0000	MEDALLION;"BUG"; PUR

SOFB-002 SIGNATURE OLYMPIC FLAT BENCH LEFT UPRIGHT ASSEMBLY - 85036XX

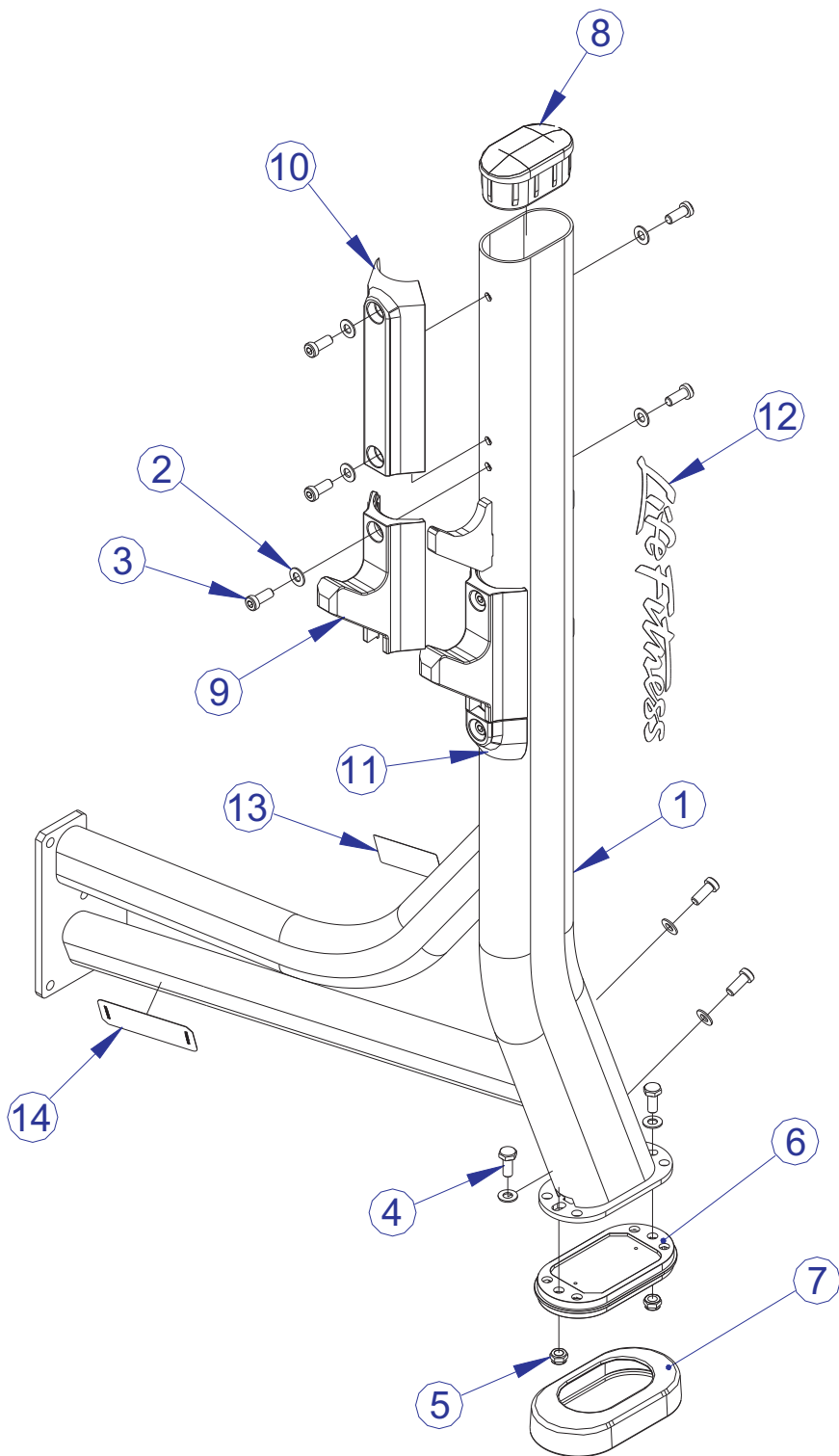


SEE PAGE 8 FOR LEGEND

SOFB-002 SIGNATURE OLYMPIC FLAT BENCH LEFT UPRIGHT ASSEMBLY LEGEND

ITEM NO.	QTY.	PART NO.	DESCRIPTION
1	1	85036XX	PTD ASSY, SOFB, UPRIGHT LEFT
2	11	3102514	WASHER, FLAT 3/8 IN SAE ST ZN
3	2	3251202	M10 X 1.5 X 25MM UNS HEX CS ST ZN
4	9	3256202	SCREW, M10 X 1.5 25MM ZN
5	2	3242002	NUT, M10 X 1.5 HEX NYLOCK
6	1	7804601	GUARD, BAR CATCH, 10-0112-013, BNR
7	1	7340201	COVER, FOOT - STRAIGHT
8	1	7800401	CAP; LRG FLOV END
9	2	7804501	HOOK, BAR CATCH, 10-0112-012, BNR
10	1	7334001	FOOT, 2.50 X 4.49 FLOV, 10-0074-046, BNR
11	1	8077501	GUARD, BAR CATCH, LOWER, 10-0112-020, BNR
12	1	8003301	LABEL, LIFE FIT 2-1/2 X 15 SG, 10-0177-025, BNR

SOFB-002 SIGNATURE OLYMPIC FLAT BENCH RIGHT UPRIGHT ASSEMBLY - 85034XX



SEE PAGE 10 FOR LEGEND

SOFB-002 SIGNATURE OLYMPIC FLAT BENCH RIGHT UPRIGHT ASSEMBLY LEGEND

ITEM NO.	QTY.	PART NO.	DESCRIPTION
1	1	85034XX	PTD ASSY, SOFB, UPRIGHT RIGHT
2	11	3102514	WASHER, FLAT 3/8 IN SAE ST ZN
3	9	3256202	SCREW, M10 X 1.5 25MM ZN
4	2	3251202	M10 X 1.5 X 25MM UNS HEX CS ST ZN
5	2	3242002	NUT, M10 X 1.5 HEX NYLOCK
6	1	7334001	FOOT, 2.50 X 4.49 FLOV, 10-0074-046, BNR
7	1	7340201	COVER, FOOT - STRAIGHT
8	1	7800401	CAP; LRG FLOV END
9	2	7804501	HOOK, BAR CATCH, 10-0112-012, BNR
10	1	7804601	GUARD, BAR CATCH, 10-0112-013, BNR
11	1	8077501	GUARD, BAR CATCH, LOWER, 10-0112-020, BNR
12	1	8003301	LABEL, LIFE FIT 2-1/2 X 15 SG, 10-0177-025, BNR
13	1	8106801	LABEL, SERIAL NUMBER, LARGE, 10-0123-001, BNR
14	1	7002501	LABEL; H WARNING 4.5 X 1.625

SOFB-002 SIGNATURE OLYMPIC FLAT BENCH IMAGE



Free Manuals Download Website

<http://myh66.com>

<http://usermanuals.us>

<http://www.somanuals.com>

<http://www.4manuals.cc>

<http://www.manual-lib.com>

<http://www.404manual.com>

<http://www.luxmanual.com>

<http://aubethermostatmanual.com>

Golf course search by state

<http://golfingnear.com>

Email search by domain

<http://emailbydomain.com>

Auto manuals search

<http://auto.somanuals.com>

TV manuals search

<http://tv.somanuals.com>