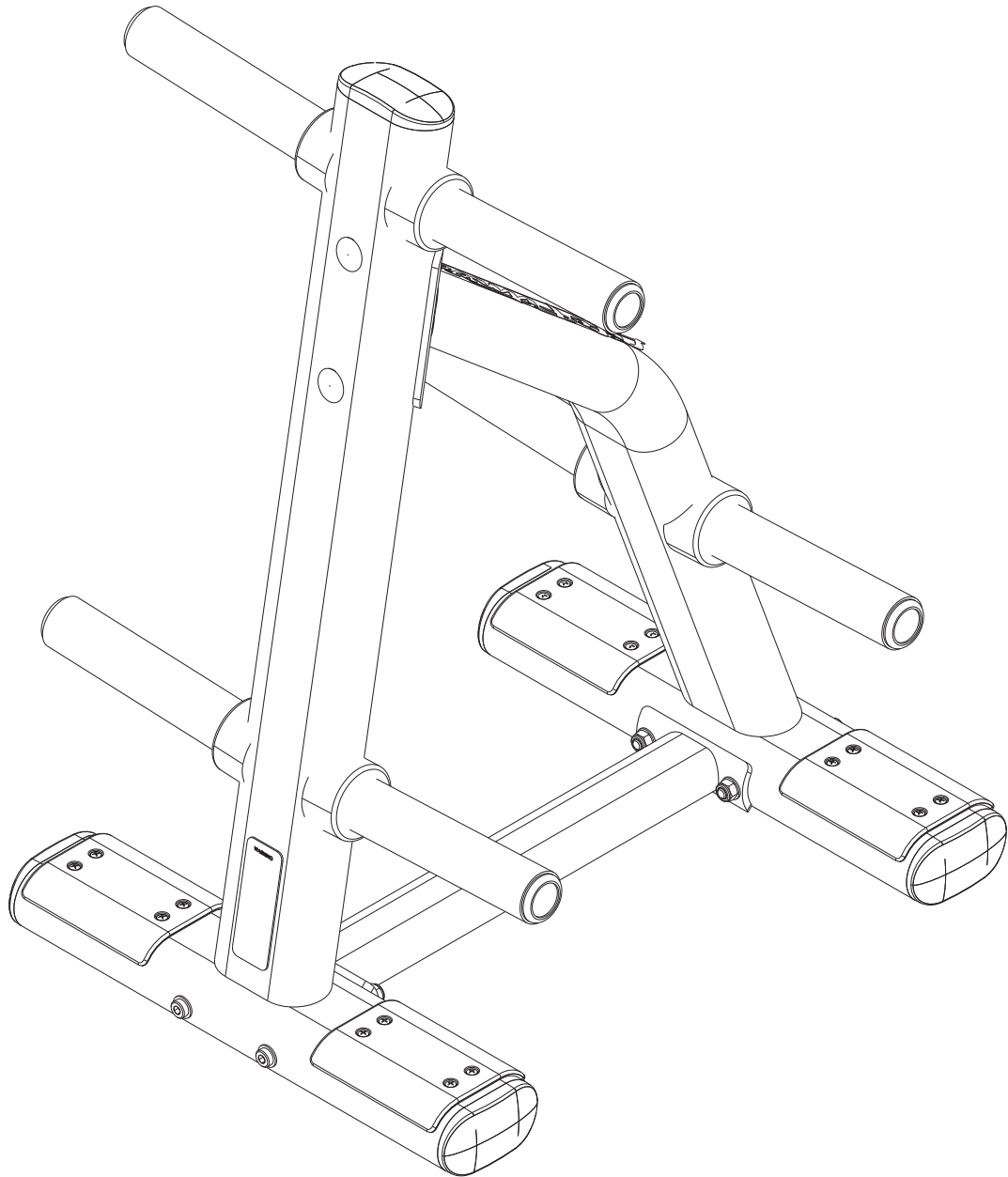




SIGNATURE SERIES
SOWT
SIGNATURE OLYMPIC WEIGHT TREE



Customer Support Services
PARTS LIST

SOWT SIGNATURE OLYMPIC WEIGHT TREE

CONTENTS

	PAGE
COMPONENT ASSEMBLY	3
COMPONENT ASSEMBLY LEGEND	4
REAR FRAME ASSEMBLY	5
REAR FRAME ASSEMBLY LEGEND	6
FRONT FRAME ASSEMBLY	7
FRONT FRAME ASSEMBLY LEGEND	8
IMAGE	9

NOTE: SUBSTITUTE PART NUMBERS ENDING WITH 'XX' WITH THE REQUIRED COLOR CODES.

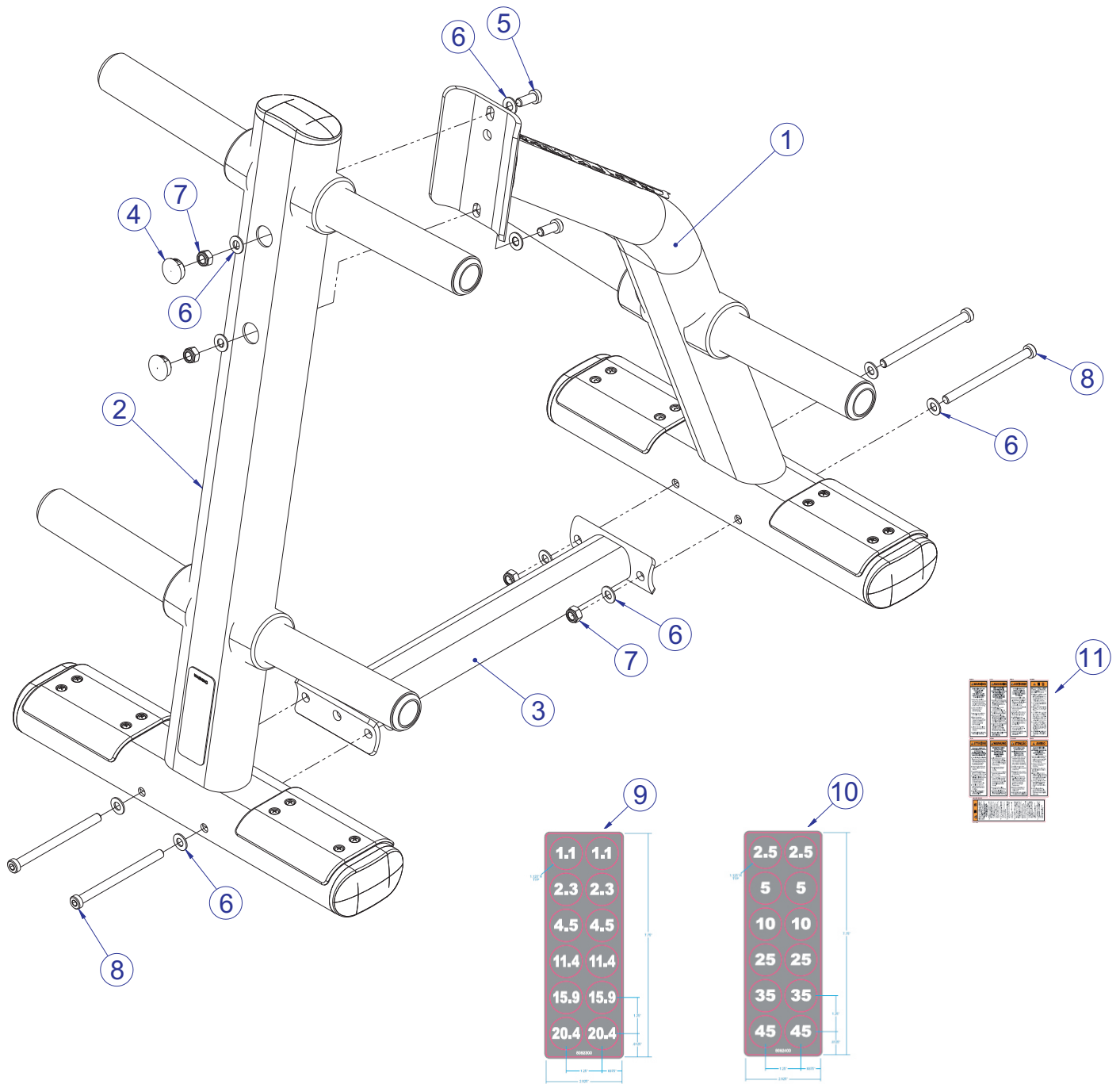
FRAME

01 = WHITE
02 = PLATINUM
03 = BLACK

PADS

01 = BLACK
99 = CUSTOM

SOWT SIGNATURE OLYMPIC WEIGHT TREE COMPONENT ASSEMBLY

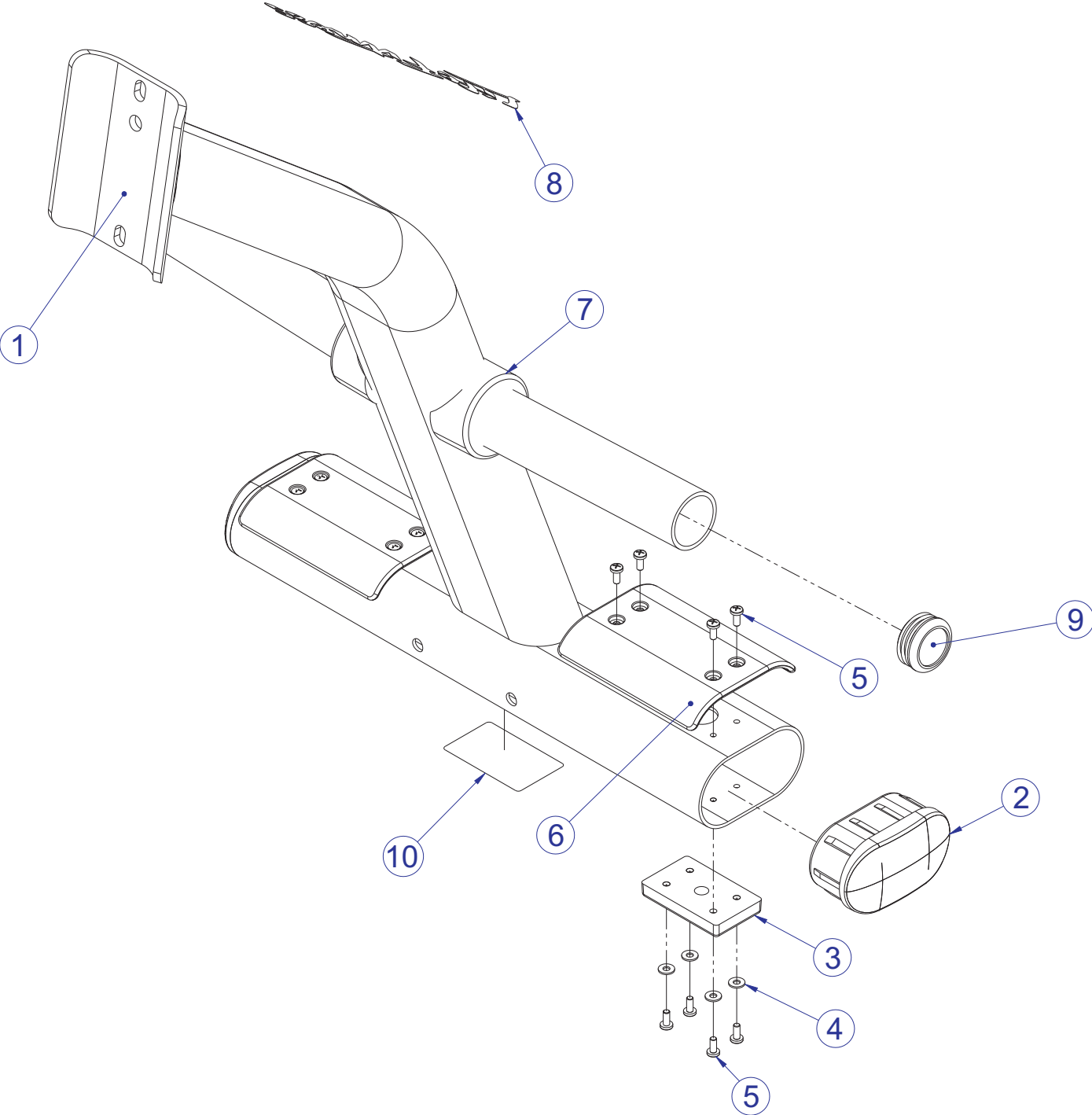


SEE PAGE 4 FOR LEGEND

SOWT SIGNATURE OLYMPIC WEIGHT TREE COMPONENT ASSEMBLY LEGEND

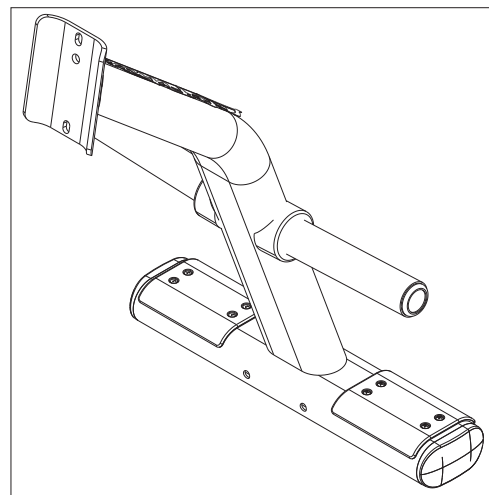
ITEM NO.	QTY.	PART NO.	DESCRIPTION
1	1	78127XX	PTD ASSY, SOWT REAR FRAME
2	1	78126XX	PTD ASSY, SOWT FRONT FRAME
3	1	81066XX	ASSY, SOWT, CROSS MEMBER
4	2	3237403	PLUG, 1" HOLE
5	2	3256202	SCREW, M10 X1.5 25MM
6	12	3102514	WASHER, FLAT 3/8" SAE ST ZN
7	6	3242002	NUT, M10 X 1.5 HEX NYLOCK
8	4	3256221	SCREW, M10 X1.5 135MM
9	1	8092601	LABEL SET, WEIGHT HORN, KG
10	1	8092701	LABEL SET, WEIGHT HORN, LB
11	1	8137801	DECAL, WARNING, VERT, MULTI-LANG SHEET

SOWT SIGNATURE OLYMPIC WEIGHT TREE REAR FRAME ASSEMBLY - 78127XX



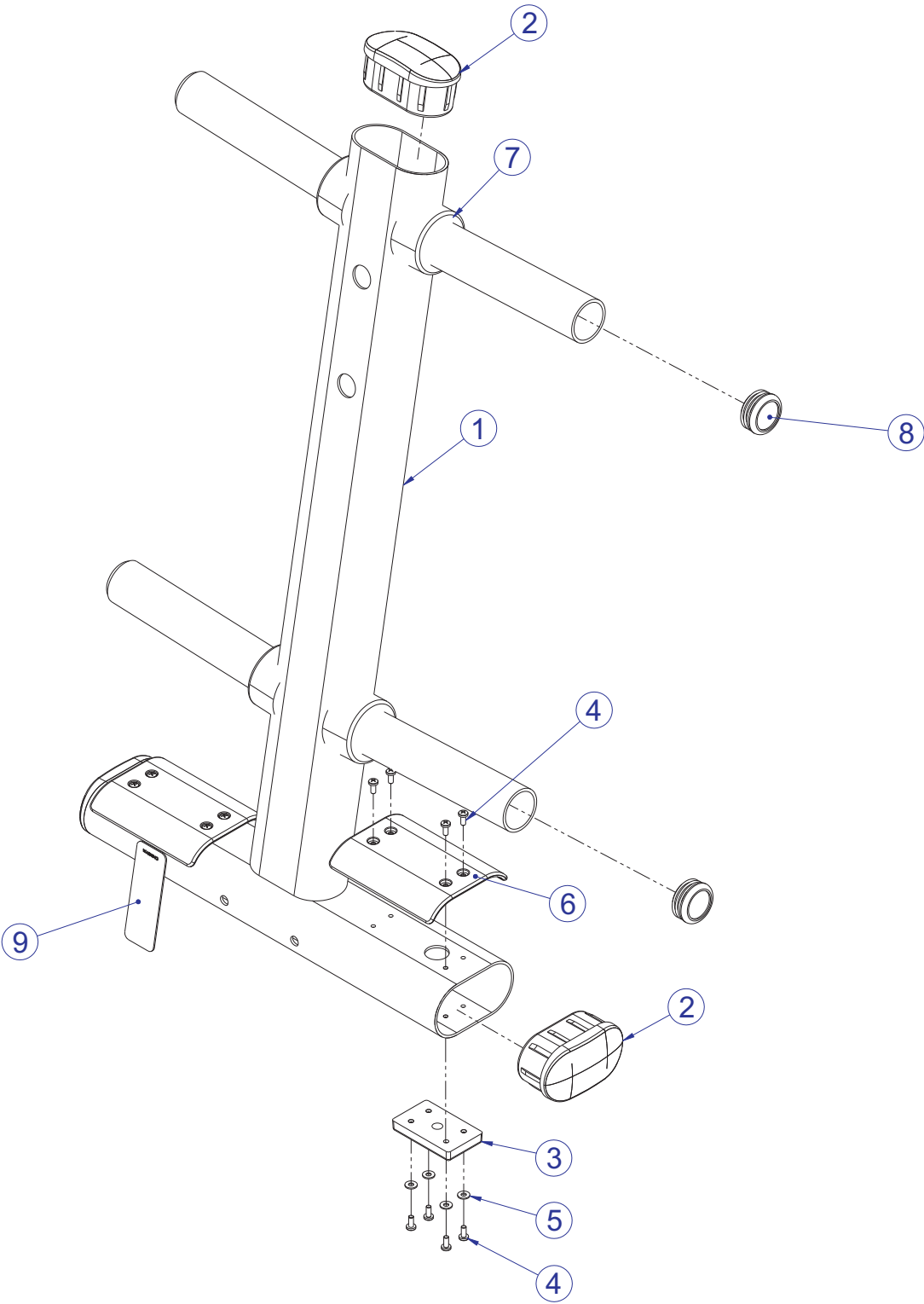
SEE PAGE 6 FOR LEGEND

SOWT SIGNATURE OLYMPIC WEIGHT TREE REAR FRAME ASSEMBLY LEGEND



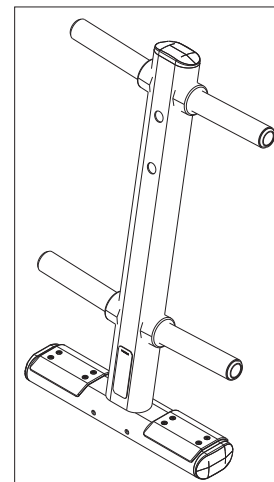
ITEM NO.	QTY.	PART NO.	DESCRIPTION
1	1	78127XX	PTD ASSY, SOWT REAR FRAME
2	2	7800401	CAP, LRG FLOV END
3	2	7810801	PAD, RUBBER FOOT
4	8	3114407	WASHER, SAE #10
5	16	3239102	SCREW, M5X12 PHL PAN TT ST BZ
6	2	7821701	GUARD, SHORT PAINT
7	2	8031801	RING, CONTOURED, WEIGHT HORN
8	1	8003301	LABEL, LIFE FIT 2-1/2 X 15 SG
9	2	8078001	CAP, END 1.75 DIA RD 14-20 GA
10	1	8106801	LABEL, SERIAL NUMBER, LARGE

SOWT SIGNATURE OLYMPIC WEIGHT TREE FRONT FRAME ASSEMBLY - 78126XX



SEE PAGE 8 FOR LEGEND

SOWT SIGNATURE OLYMPIC WEIGHT TREE FRONT FRAME ASSEMBLY LEGEND



ITEM NO.	QTY.	PART NO.	DESCRIPTION
1	1	78126XX	PTD ASSY, SOWT FRONT FRAME
2	3	7800401	CAP, LRG FLOV END
3	2	7810801	PAD, RUBBER FOOT
4	16	3239102	SCREW, M5X12 PHL PAN TT ST BZ
5	8	3114407	WASHER, SAE #10
6	2	7821701	GUARD, SHORT PAINT
7	4	8031801	RING, CONTOURED, WEIGHT HORN
8	4	8078001	CAP, END 1.75 DIA RD 14-20 GA
9	1	LEA7002401	LABEL, V WARNING 4.5 X 1.625

SOWT SIGNATURE OLYMPIC WEIGHT TREE IMAGE



Free Manuals Download Website

<http://myh66.com>

<http://usermanuals.us>

<http://www.somanuals.com>

<http://www.4manuals.cc>

<http://www.manual-lib.com>

<http://www.404manual.com>

<http://www.luxmanual.com>

<http://aubethermostatmanual.com>

Golf course search by state

<http://golfingnear.com>

Email search by domain

<http://emailbydomain.com>

Auto manuals search

<http://auto.somanuals.com>

TV manuals search

<http://tv.somanuals.com>