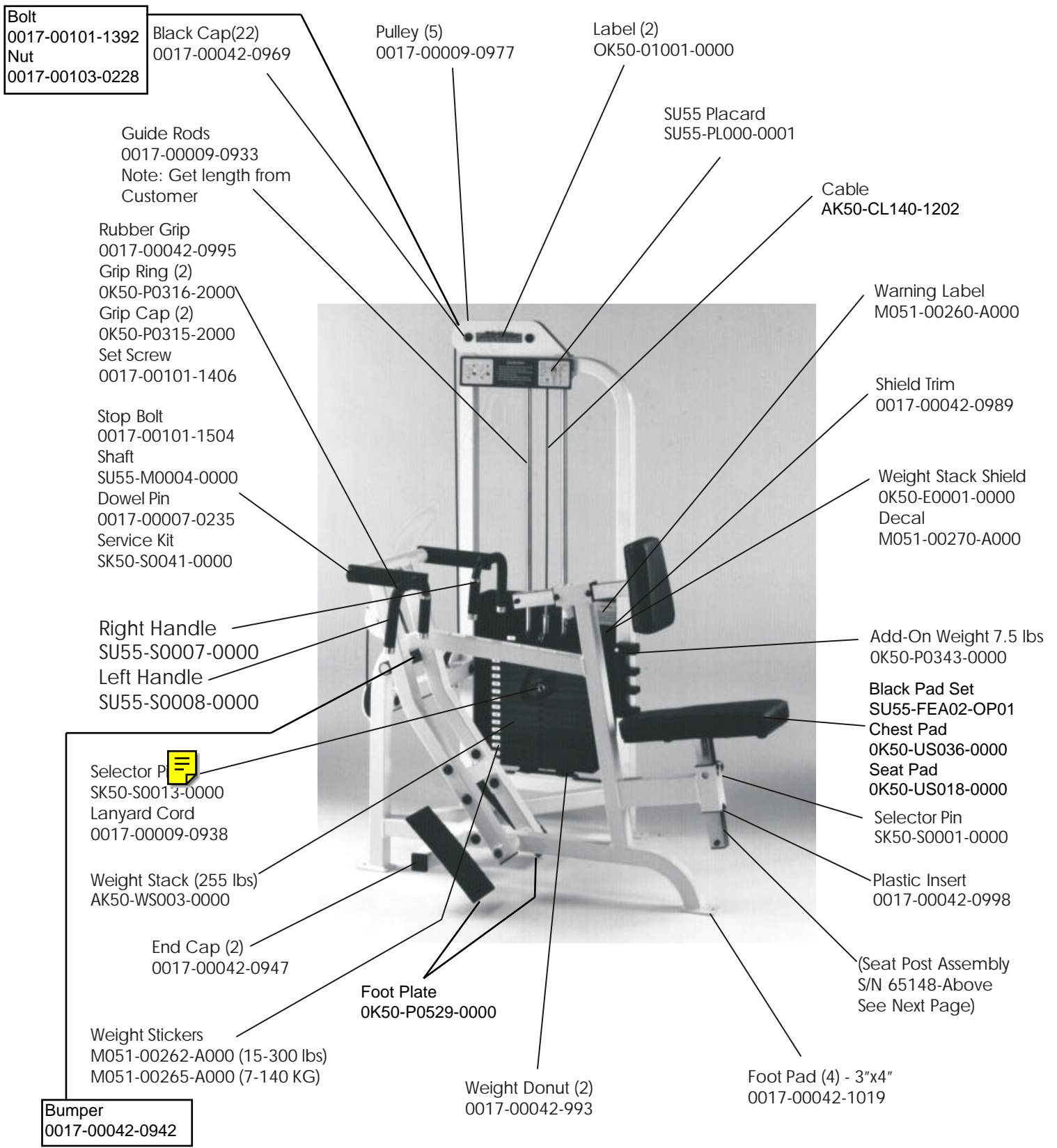


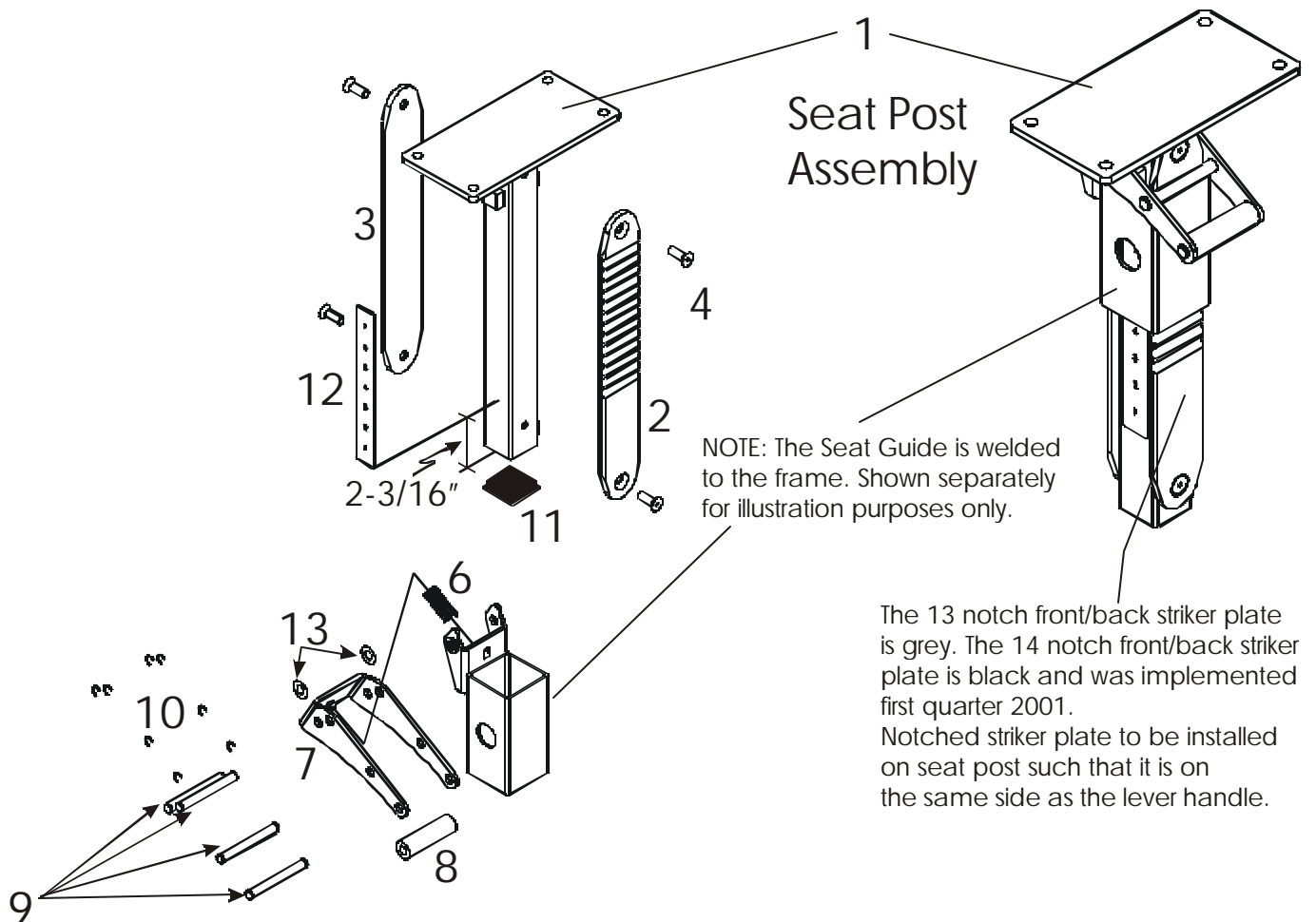
# SELECTORIZED STRENGTH TRAINING EQUIPMENT

## SU55 Seated Row



# SELECTORIZED STRENGTH TRAINING EQUIPMENT

## SU55 Seat Post Assembly - S/N 65148-Above



### BILL OF MATERIALS

Item No.	Qty.	Part Number	Description
1	1	AK50-S0028-0000	Seat post assembly
2	1	0K50-P0547-0000	Front striker plate (14 notch)
3	1	0K50-P0548-0000	Back striker plate
4	4	0017-00101-1655	5/16" x 24 flat bolt
6	1	0017-00009-1079	Spring
7	1	0K50-P0550-0000	Lever release
8	1	0017-00042-1089	Rubber grip
9	4	0K50-P0551-0000	Grooved pin
10	8	0017-00100-0190	Retaining clips
11	1	0017-00042-0944	1-1/2" x 1-1/2" End cap
12	1	M051-00363-A000	Number strip
13	2	0017-00104-0373	Nylon washer

## Free Manuals Download Website

<http://myh66.com>

<http://usermanuals.us>

<http://www.somanuals.com>

<http://www.4manuals.cc>

<http://www.manual-lib.com>

<http://www.404manual.com>

<http://www.luxmanual.com>

<http://aubethermostatmanual.com>

Golf course search by state

<http://golfingnear.com>

Email search by domain

<http://emailbydomain.com>

Auto manuals search

<http://auto.somanuals.com>

TV manuals search

<http://tv.somanuals.com>