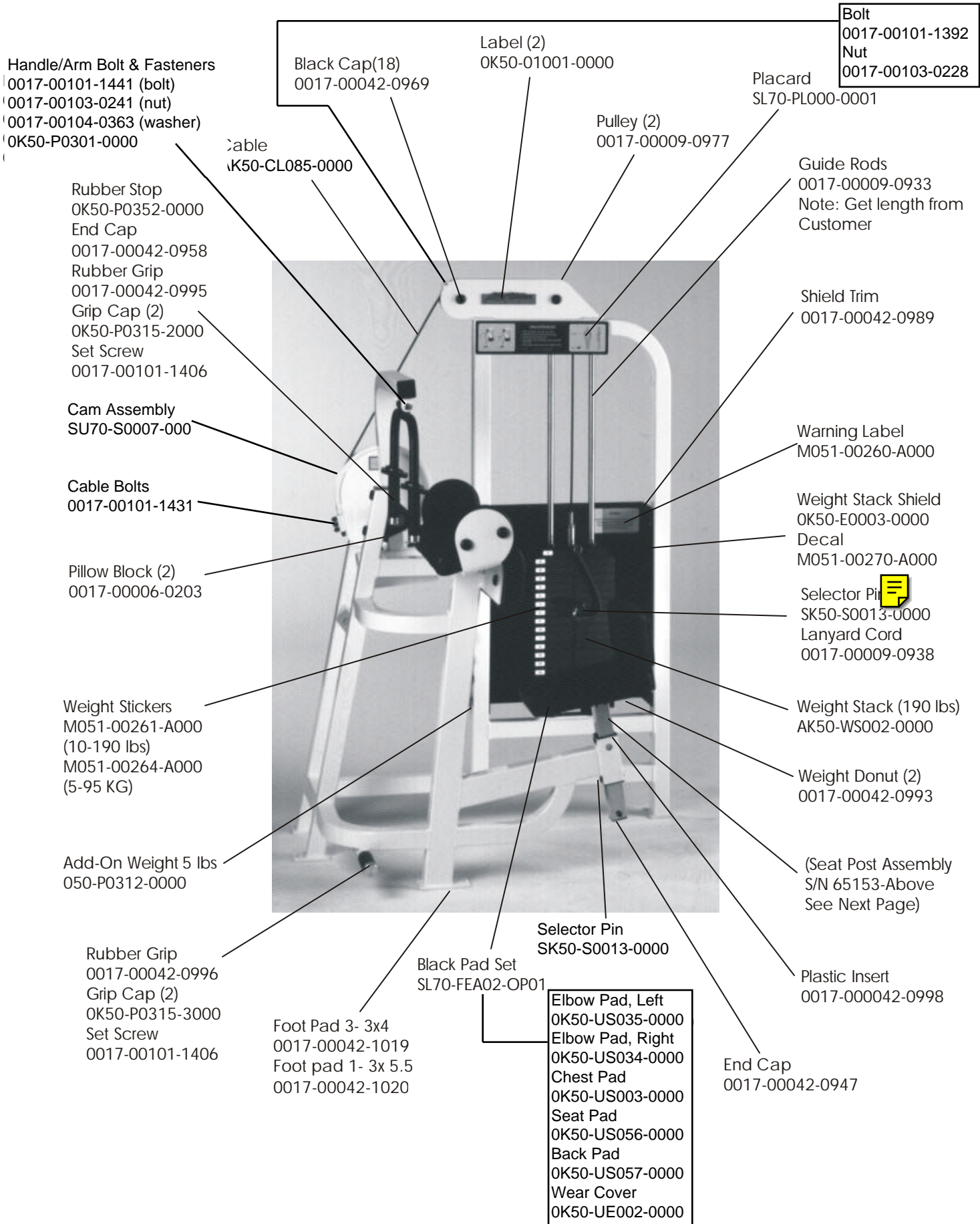


SELECTORIZED STRENGTH TRAINING EQUIPMENT

SU70 Arm Extension



Bolt
0017-00101-1392
Nut
0017-00103-0228

Handle/Arm Bolt & Fasteners
0017-00101-1441 (bolt)
0017-00103-0241 (nut)
0017-00104-0363 (washer)
OK50-P0301-0000

Black Cap(18)
0017-00042-0969

Label (2)
OK50-01001-0000

Placard
SL70-PL000-0001

Cable
OK50-CL085-0000

Pulley (2)
0017-00009-0977

Guide Rods
0017-00009-0933
Note: Get length from Customer

Rubber Stop
OK50-P0352-0000
End Cap
0017-00042-0958
Rubber Grip
0017-00042-0995
Grip Cap (2)
OK50-P0315-2000
Set Screw
0017-00101-1406

Shield Trim
0017-00042-0989

Cam Assembly
SU70-S0007-000

Warning Label
M051-00260-A000

Cable Bolts
0017-00101-1431

Weight Stack Shield
OK50-E0003-0000
Decal
M051-00270-A000

Pillow Block (2)
0017-00006-0203

Selector Pin
SK50-S0013-0000
Lanyard Cord
0017-00009-0938

Weight Stickers
M051-00261-A000
(10-190 lbs)
M051-00264-A000
(5-95 KG)

Weight Stack (190 lbs)
AK50-WS002-0000

Weight Donut (2)
0017-00042-0993

Add-On Weight 5 lbs
050-P0312-0000

(Seat Post Assembly
S/N 65153-Above
See Next Page)

Rubber Grip
0017-00042-0996
Grip Cap (2)
OK50-P0315-3000
Set Screw
0017-00101-1406

Foot Pad 3- 3x4
0017-00042-1019
Foot pad 1- 3x 5.5
0017-00042-1020

Black Pad Set
SL70-FEA02-OP01

Selector Pin
SK50-S0013-0000

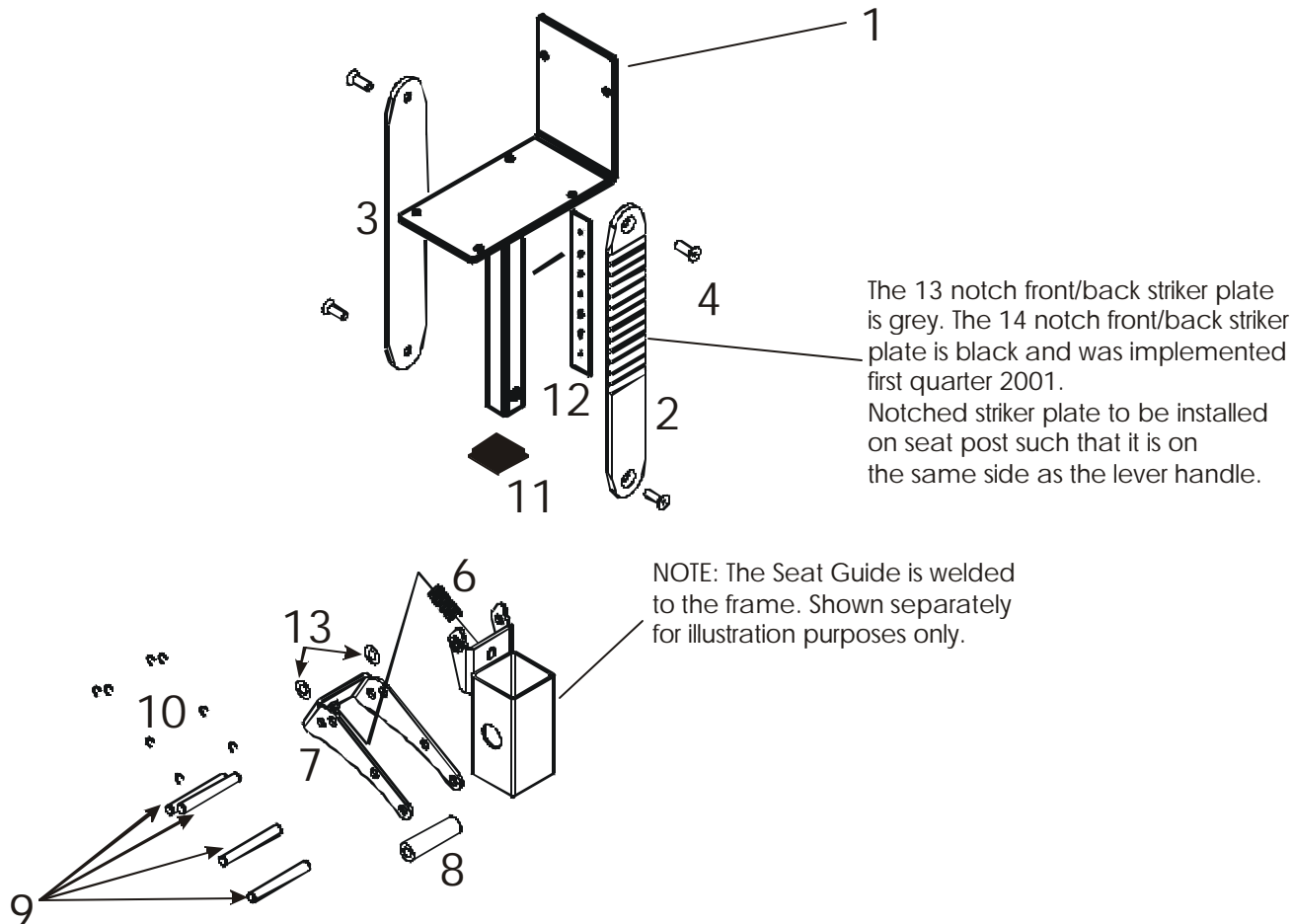
Elbow Pad, Left
OK50-US035-0000
Elbow Pad, Right
OK50-US034-0000
Chest Pad
OK50-US003-0000
Seat Pad
OK50-US056-0000
Back Pad
OK50-US057-0000
Wear Cover
OK50-UE002-0000

Plastic Insert
0017-000042-0998

End Cap
0017-00042-0947

SELECTORIZED STRENGTH TRAINING EQUIPMENT

SU70 Seat Post Assembly - S/N 65153-Above



BILL OF MATERIALS			
Item No.	Qty.	Part Number	Description
1	1	AK50-S0028-0000	Seat post assembly
2	1	0K50-P0547-0000	Front striker plate (14 notch)
3	1	0K50-P0548-0000	Back striker plate
4	4	0017-00101-1655	5/16" x 24 flat bolt
6	1	0017-00009-1079	Spring
7	1	0K50-P0550-0000	Lever release
8	1	0017-00042-1089	Rubber grip
9	4	0K50-P0551-0000	Grooved pin
10	8	0017-00100-0190	Retaining clips
11	1	0017-00042-0944	1-1/2" x 1-1/2" End cap
12	1	M05'-00363-A000	Number strip
13	2	0017-00104-0373	Nylon washer

Free Manuals Download Website

<http://myh66.com>

<http://usermanuals.us>

<http://www.somanuals.com>

<http://www.4manuals.cc>

<http://www.manual-lib.com>

<http://www.404manual.com>

<http://www.luxmanual.com>

<http://aubethermostatmanual.com>

Golf course search by state

<http://golfingnear.com>

Email search by domain

<http://emailbydomain.com>

Auto manuals search

<http://auto.somanuals.com>

TV manuals search

<http://tv.somanuals.com>