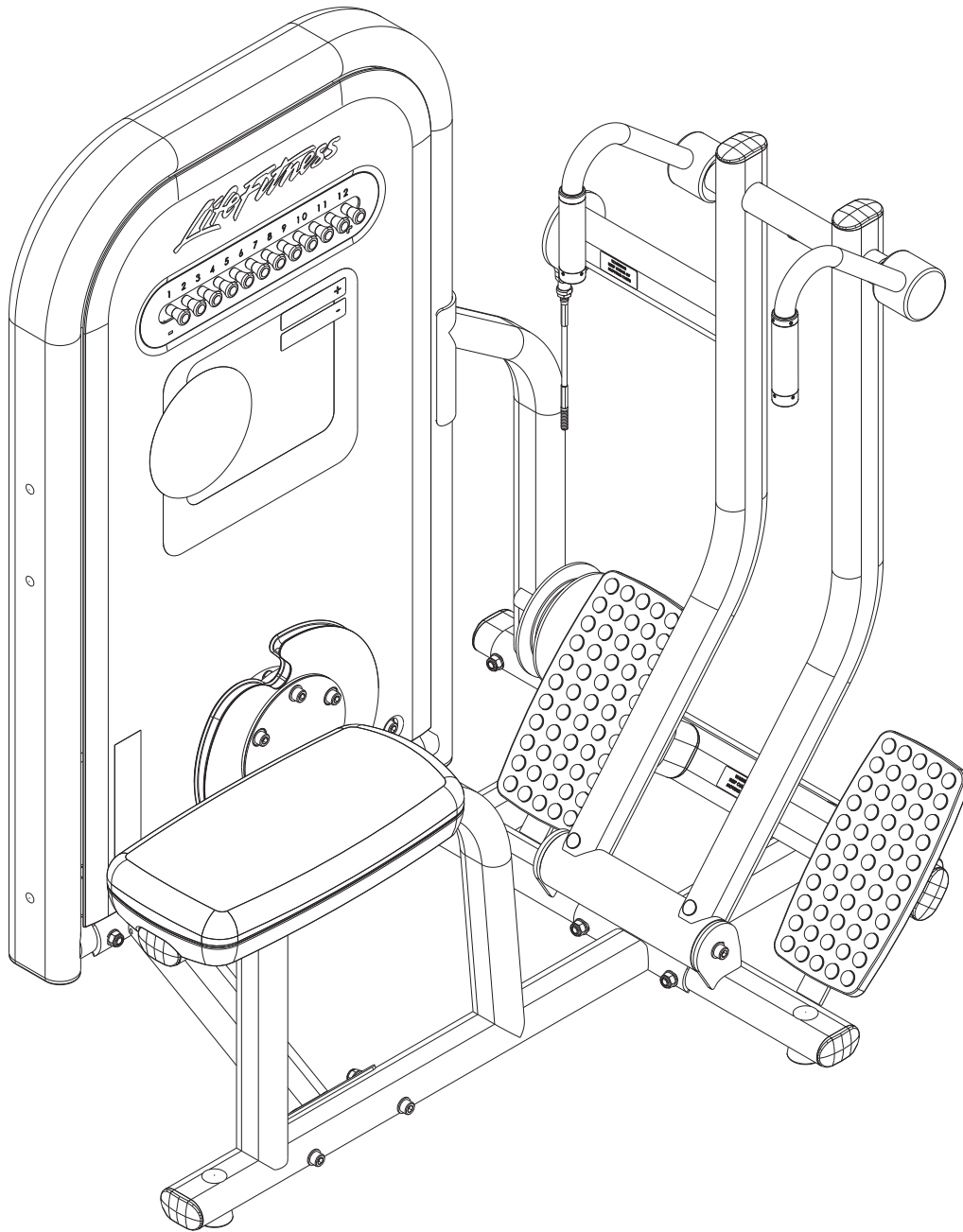




CIRCUIT SERIES
TCRW
SEATED ROW



Customer Support Services
PARTS LIST

TCRW SEATED ROW

Contents

COMPONANT ASSEMBLY	pg.3
COMPONANT ASSEMBLY LEGEND	4
CENTER ASSEMBLY	5
SEAT FRAME ASSEMBLY	6
WORKARM ASSEMBLY	7
LEFT HANDLE ASSEMBLY	8
RIGHT HANDLE ASSEMBLY	9
FRONT SHROUD ASSEMBLY	10
TOWER ASSEMBLY	11
TOWER ASSEMBLY LEGEND	12
TOWER HEADER ASSEMBLY	13
REAR SHROUD	14
IMAGE	15

COLOR LEGEND

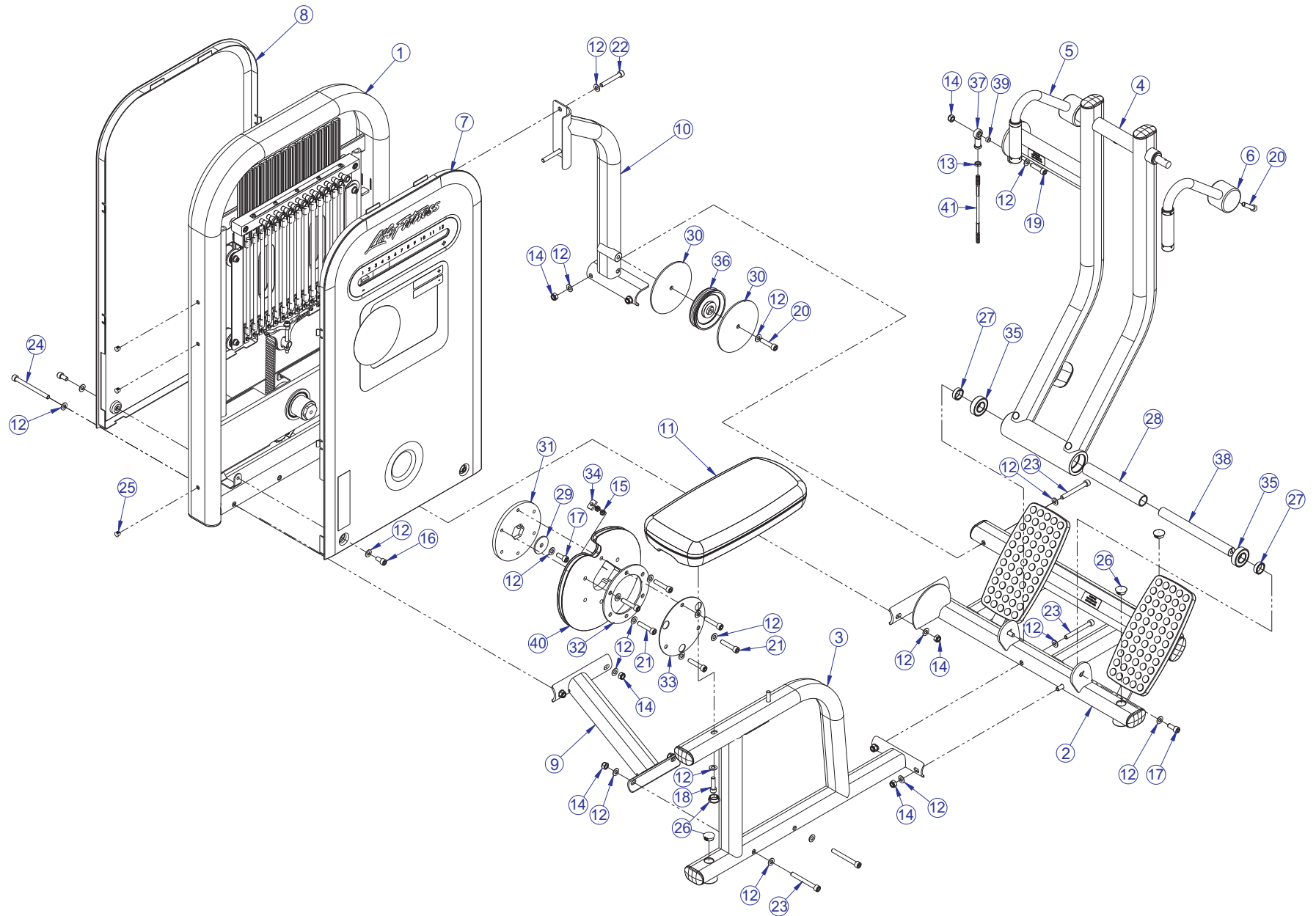
Item numbers ending in 'XX' require paint color.
Replace last two digits from the corresponding code.

01 = White

02 = Platinum

99 = Custom Paint

TCRW SEATED ROW COMPONENT ASSEMBLY

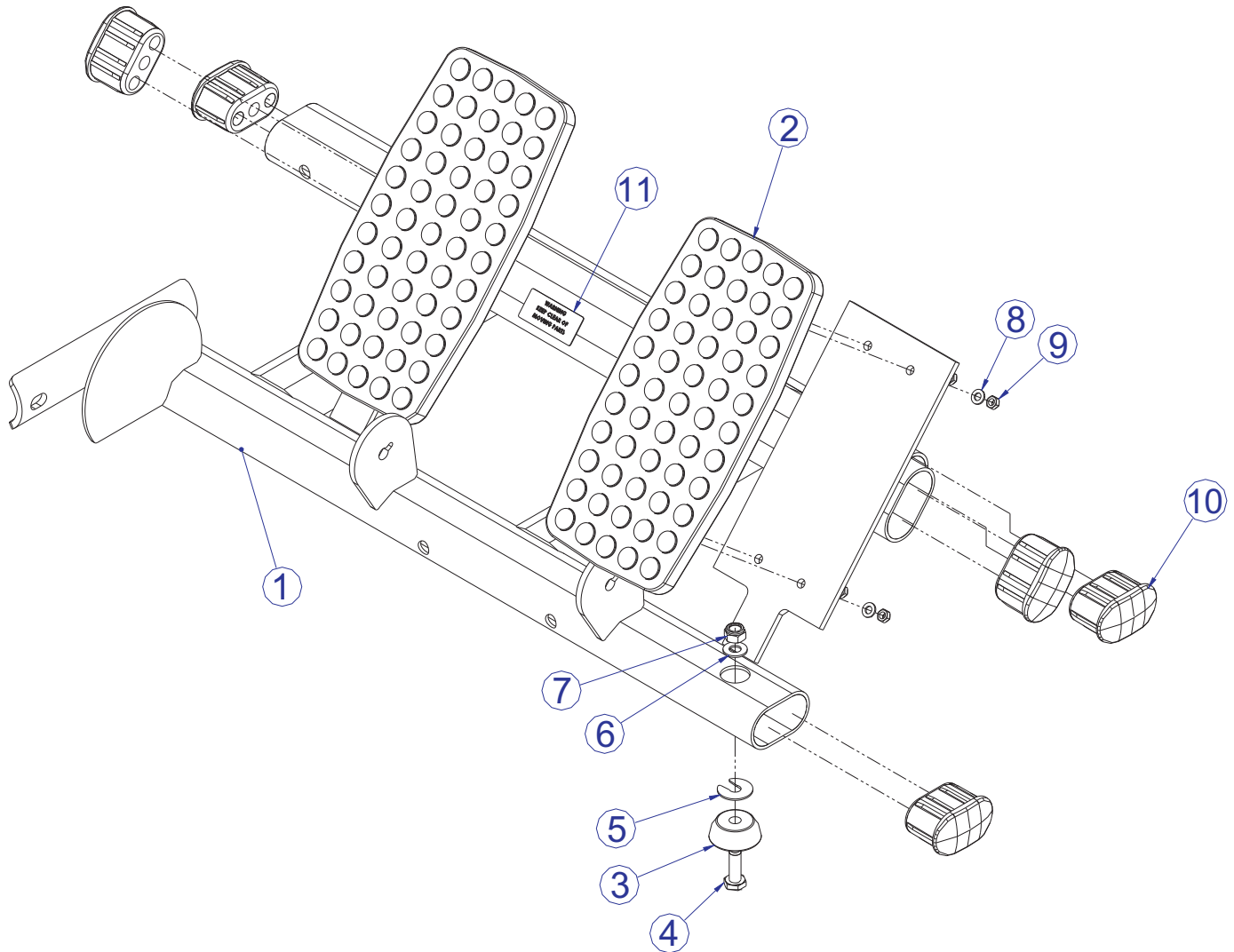


SEE PAGE 4 FOR LEGEND

TCRW SEATED ROW COMPONANT ASSEMBLY LEGEND

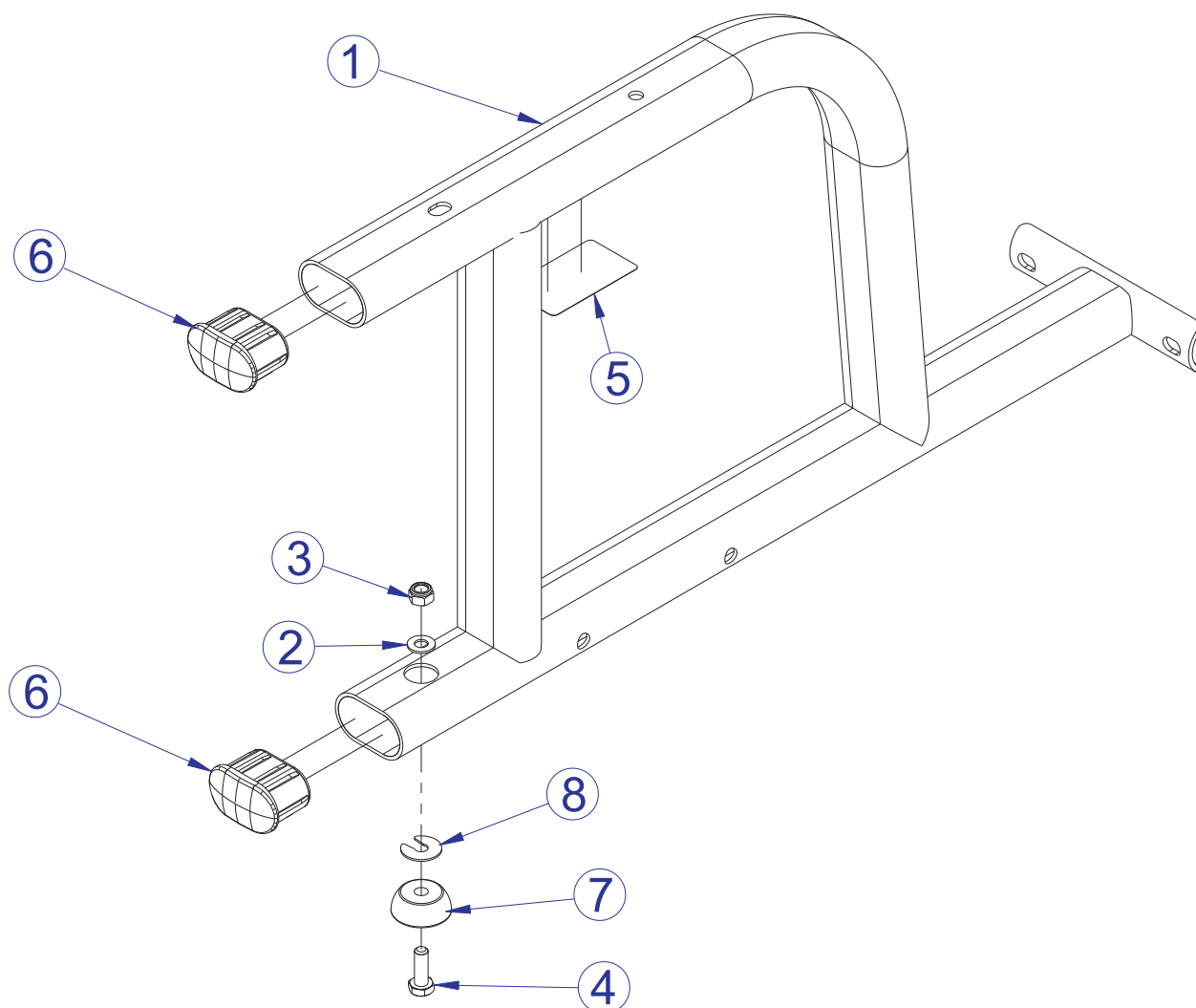
ITEM NO.	QTY.	PART NO.	DESCRIPTION
1	1	79854XX	ASSY, TC-TOWER, FINAL
2	1	80187XX	ASSY,TCRW, CENTER SECTION
3	1	80188XX	ASSY,TCRW, SEAT FRAME
4	1	80189XX	ASSY,TCRW, ARM
5	1	80190XX	ASSY,TCRW, LEFT HANDLE
6	1	80191XX	ASSY,TCRW, RIGHT HANDLE
7	1	8024707	ASSY, TC-TOWER, SHROUD FRONT, TCRW
8	1	8024807	ASSY, TC-TOWER, SHROUD REAR, TCRW
9	1	80004XX	WLDMT, TCRW, BOTTOM BRACE
10	1	80385XX	WLDMT, TCRW, TOWER SPRT
11	1	74689XX	PAD 18 X 9 CONVEX
12	41	3102514	WASHER, FLAT 3/8" SAE ST ZN
13	1	3236901	NUT, M10 X 1.5 JAM
14	13	3242002	NUT, M10 X 1.5 HEX NYLOCK
15	2	3247502	NUT, M8 X 1.25 HEX JAM ST ZN
16	4	3251701	SCREW, M10 X1.5 20MM
17	3	3251702	SCREW, M10 X1.5 25MM
18	2	3251704	SCREW, M10 X1.5 35MM
19	1	3251705	SCREW, M10 X1.5 40MM
20	3	3251706	SCREW, M10 X1.5 45MM
21	6	3251707	SCREW, M10 X1.5 50MM
22	2	3251711	SCREW, M10 X1.5 70MM
23	6	3251715	SCREW, M10 X1.5 90MM
24	4	3251719	SCREW, M10 X1.5 120MM
25	3	3237401	PLUG, 7/16" HOLE
26	6	3237403	PLUG, 1" HOLE
27	2	7330001	SPACER, INTERNAL X .403
28	1	7330008	SPACER, INTERNAL X 8.364
29	1	7322301	PLATE, 1.97 OD X .44 ID 10GA
30	2	79794XX	PLATE, PULLEY GUARD
31	1	7998495	PLATE, TC TOWER, OUTPUT
32	1	7998895	PLATE, TC-TOWER, RING
33	1	7998995	PLATE, TC-TOWER, COVER
34	1	8001801	PLATE,TC, CABLE RETAIN.
35	2	3235601	BEARING, 6205 BALL
36	1	3237801	PULLEY, 4.5" OD
37	1	3237901	ROD END, METRIC FEMALE
38	1	7316506	SHAFT, 25MM X 10.331
39	1	7489402	BSHNG, .500 OD X .402 ID
40	1	7998501	CAM, TC, OUTPUT
41	1	7999601	CABLE, TCRW

TCRW SEATED ROW CENTER ASSEMBLY - 80187XX



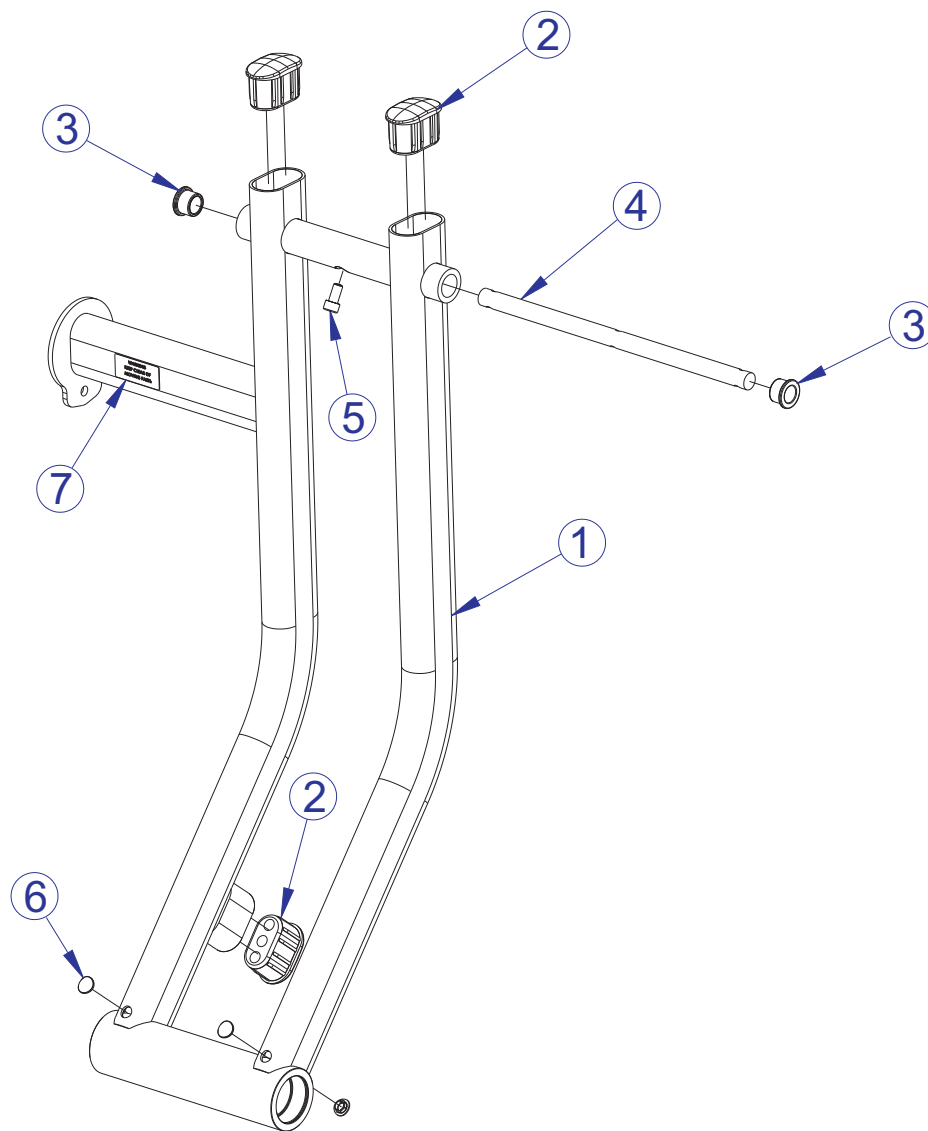
ITEM NO.	QTY.	PART NO.	DESCRIPTION
1	1	80187XX	ASSY, TCRW, CENTER SECTION
2	2	7640301	FOOT PAD, CM/MJ, OVERMOLD
3	3	7893001	FOOT, LEVELER
4	3	3251203	SCREW, M10 X1.5 X 30MM UNS HEX CS ST ZN
5	3	7893101	SHIM, FOOT LEVELER
6	3	3102514	WASHER, FLAT 3/8" SAE ST ZN
7	3	3242002	NUT, M10 X 1.5 HEX NYLOCK
8	8	3241801	WASHER, FLAT 6MM SS
9	8	3236802	NUT, M6 HEX NYLOCK SS
10	5	7800501	CAP, SML FLOV END
11	1	8031701	LABEL, WARNING, 2.43 X 1.06

TCRW SEATED ROW SEAT FRAME ASSEMBLY - 80188XX



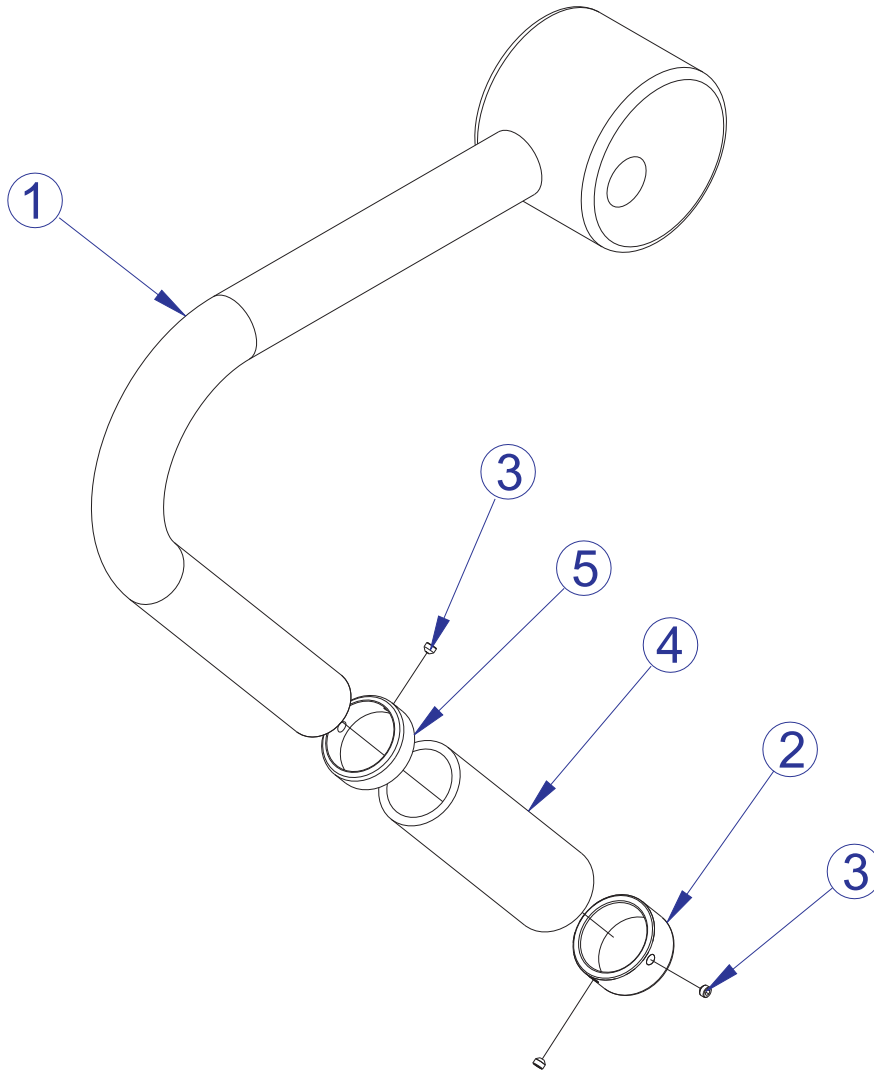
ITEM NO.	QTY.	PART NO.	DESCRIPTION
1	1	80188XX	ASSY, TCRW, SEAT FRAME
2	1	3102514	WASHER, FLAT 3/8" SAE ST ZN
3	1	3242002	NUT, M10 X 1.5 HEX NYLOCK
4	1	3251203	SCREW, M10 X1.5 X 30MM UNS HEX CS ST ZN
5	1	7571301	LABEL, SERIAL NUMBER
6	2	7800501	CAP, SML FLOV END
7	1	7893001	FOOT, LEVELER
8	1	7893101	SHIM, FOOT LEVELER

TCRW SEATED ROW WORKARM ASSEMBLY- 80189XX



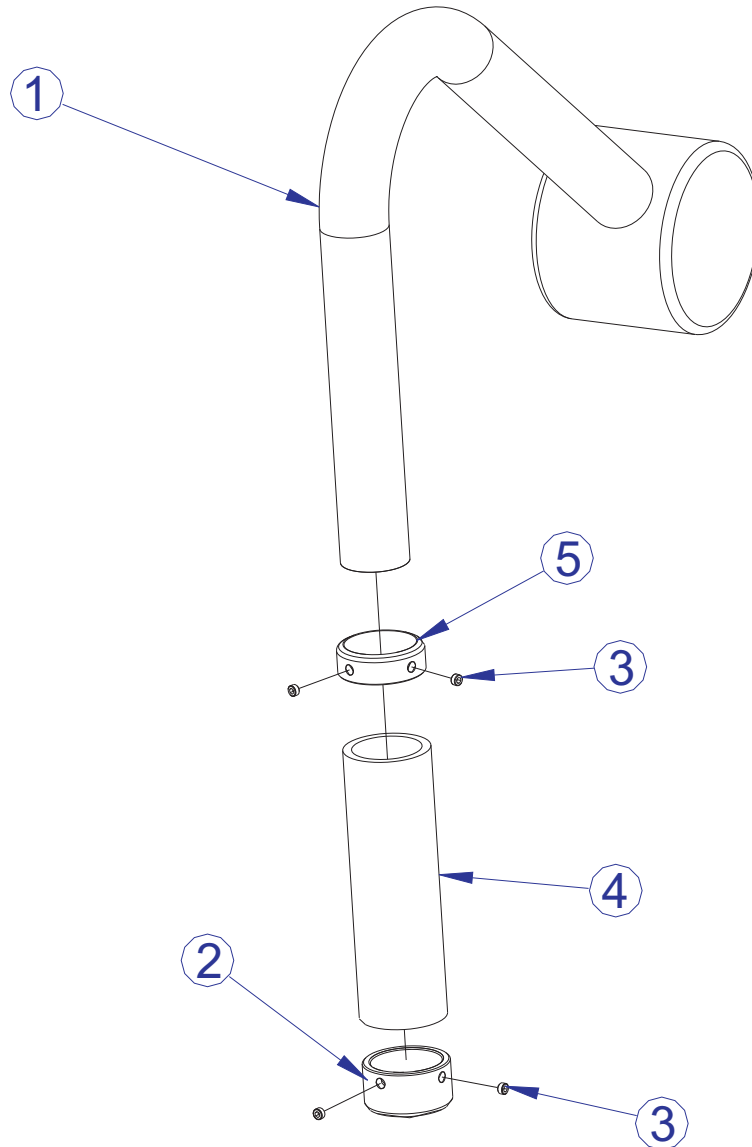
ITEM NO.	QTY.	PART NO.	DESCRIPTION
1	1	80189XX	ASSY, TCRW, WORKARM
2	3	7800501	CAP, SML FLOV END
3	2	3104901	.75" ID 1.00" OD BRONZE BUSHING
4	1	8001901	SHAFT, TCRW, AXLE
5	1	3251701	SCREW, M10 X1.5 20MM
6	4	7646801	PLUG, CURVED HOLE
7	1	8031701	LABEL, WARNING, 2.43 X 1.06

TCRW SEATED ROW LEFT HANDLE ASSEMBLY - 80190XX



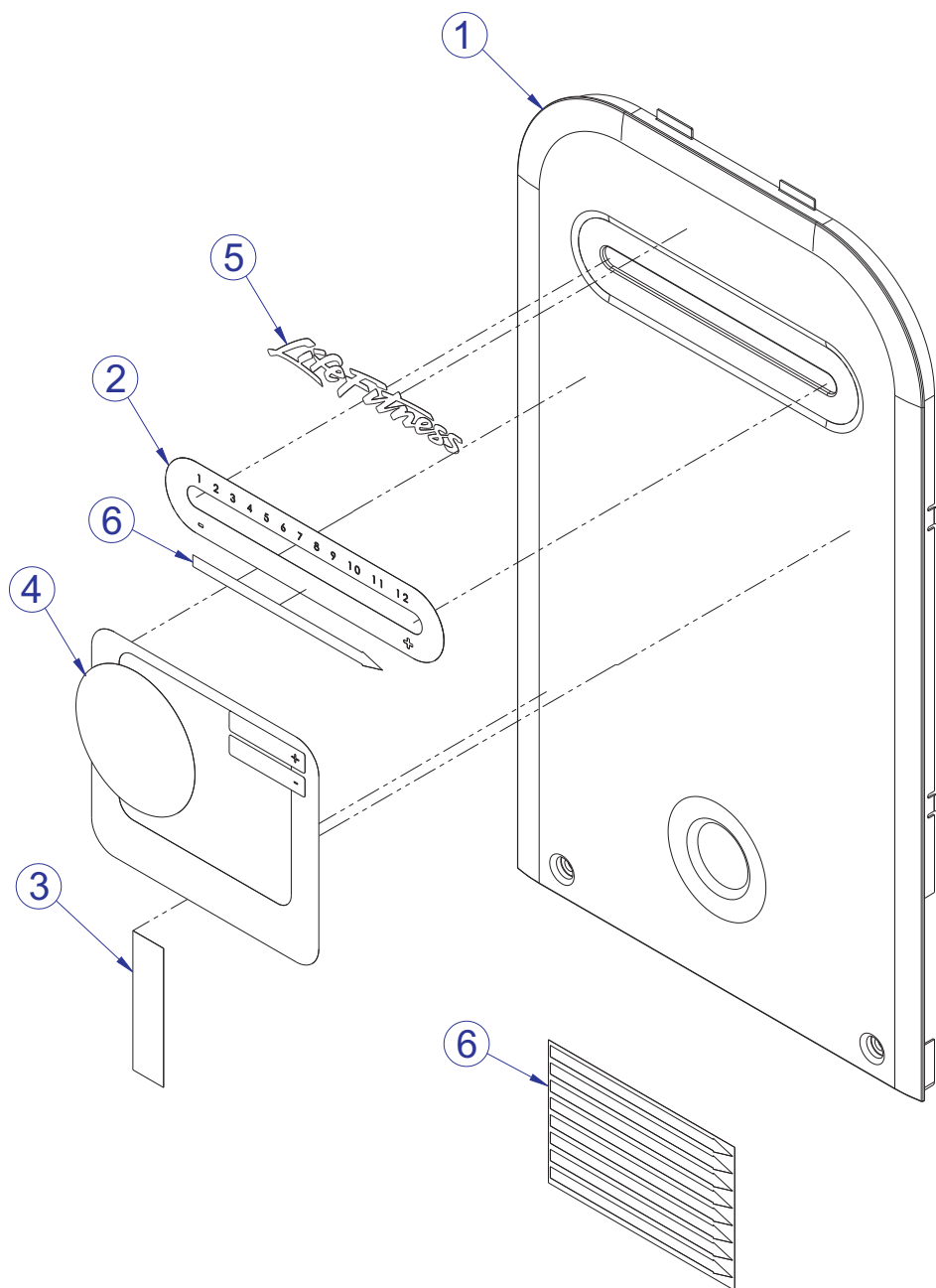
ITEM NO.	QTY.	PART NO.	DESCRIPTION
1	1	80190XX	ASSY, TCRW, LEFT HANDLE
2	1	7662901	CAP, GRIP 1.25 OD
3	4	3247701	M4 X .7 HXS NO CUP ST BO
4	1	3235801	GRIP, 1.25 OD
5	1	7662801	RING, GRIP 1.25 OD

TCRW SEATED ROW RIGHT HANDLE ASSEMBLY - 80191XX



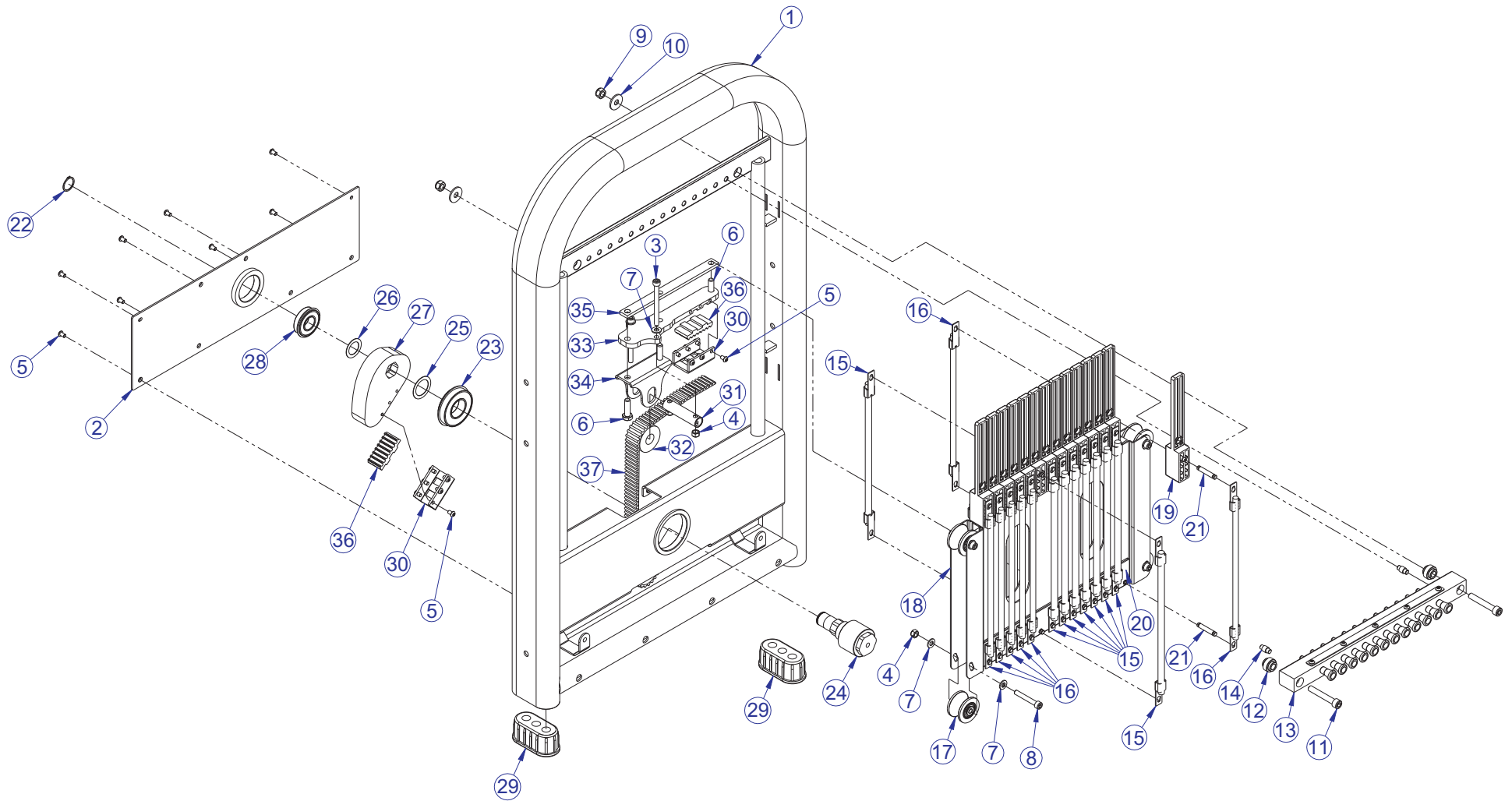
ITEM NO.	QTY.	PART NO.	DESCRIPTION
1	1	80191XX	ASSY, TCRW, RIGHT HANDLE
2	1	7662901	CAP, GRIP 1.25 OD
3	4	3247701	M4 X .7 HXS NO CUP ST BO
4	1	3235801	GRIP, 1.25 OD
5	1	7662801	RING, GRIP 1.25 OD

TCRW SEATED ROW FRONT SHROUD ASSEMBLY - 8024707



ITEM NO.	QTY.	PART NO.	DESCRIPTION
1	1	8012601	SHROUD, TC-TOWER, FRONT
2	1	8024601	LABEL, TC, SELECTOR
3	1	7422004	LABEL, 2" ASTM WARN
4	1	8025207	LABEL, INSTR, STRENGTH CIRCUIT, TCRW
5	1	8037701	LABEL, TC, LIFE FITNESS
6	1	8047101	LABEL, TC, SELECTOR, MULTI-LANGUAGE

TCRW SEATED ROW TOWER ASSEMBLY - 79854XX

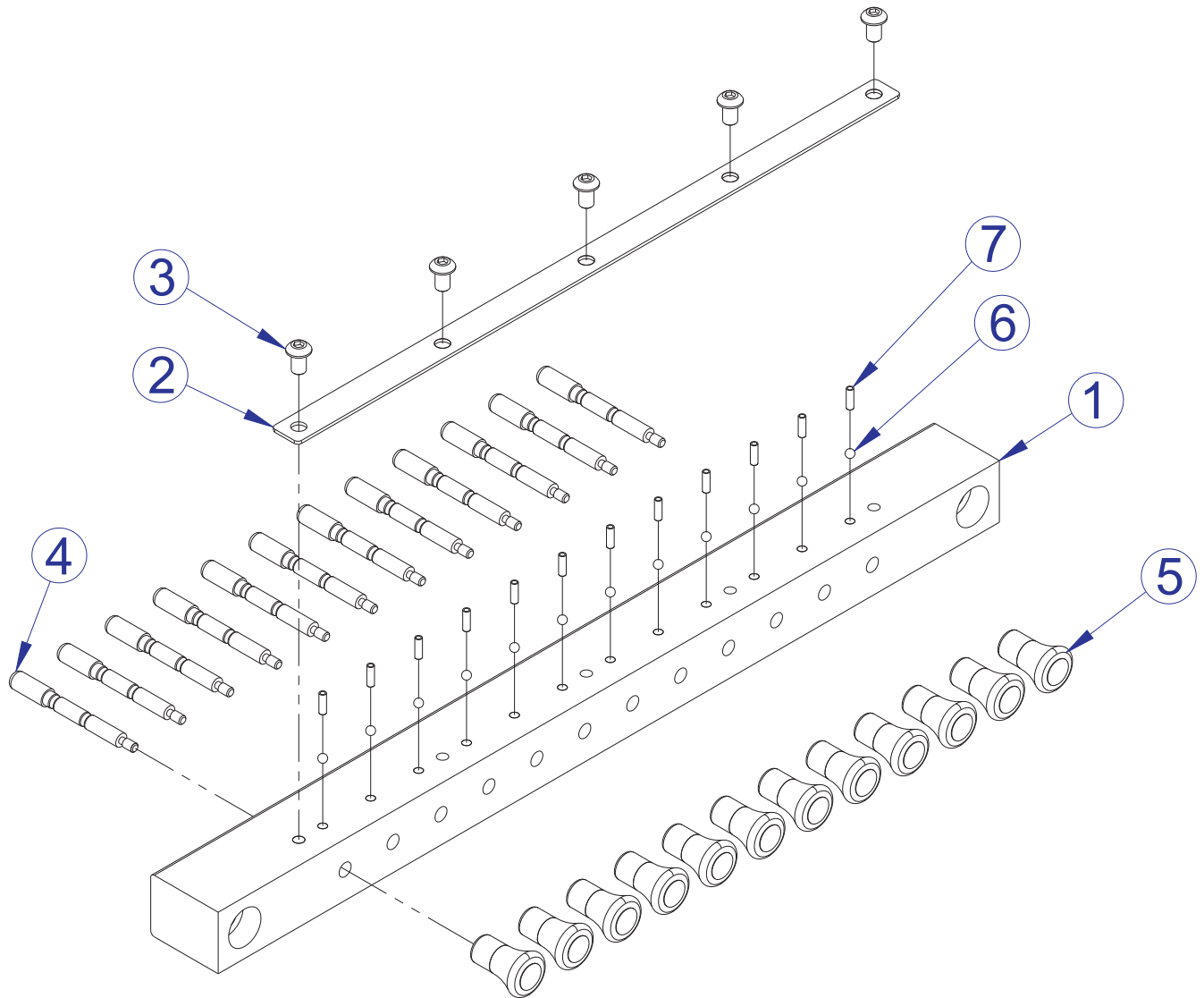


SEE PAGE 12 FOR LEGEND

TCRW SEATED ROW TOWER ASSEMBLY LEGEND

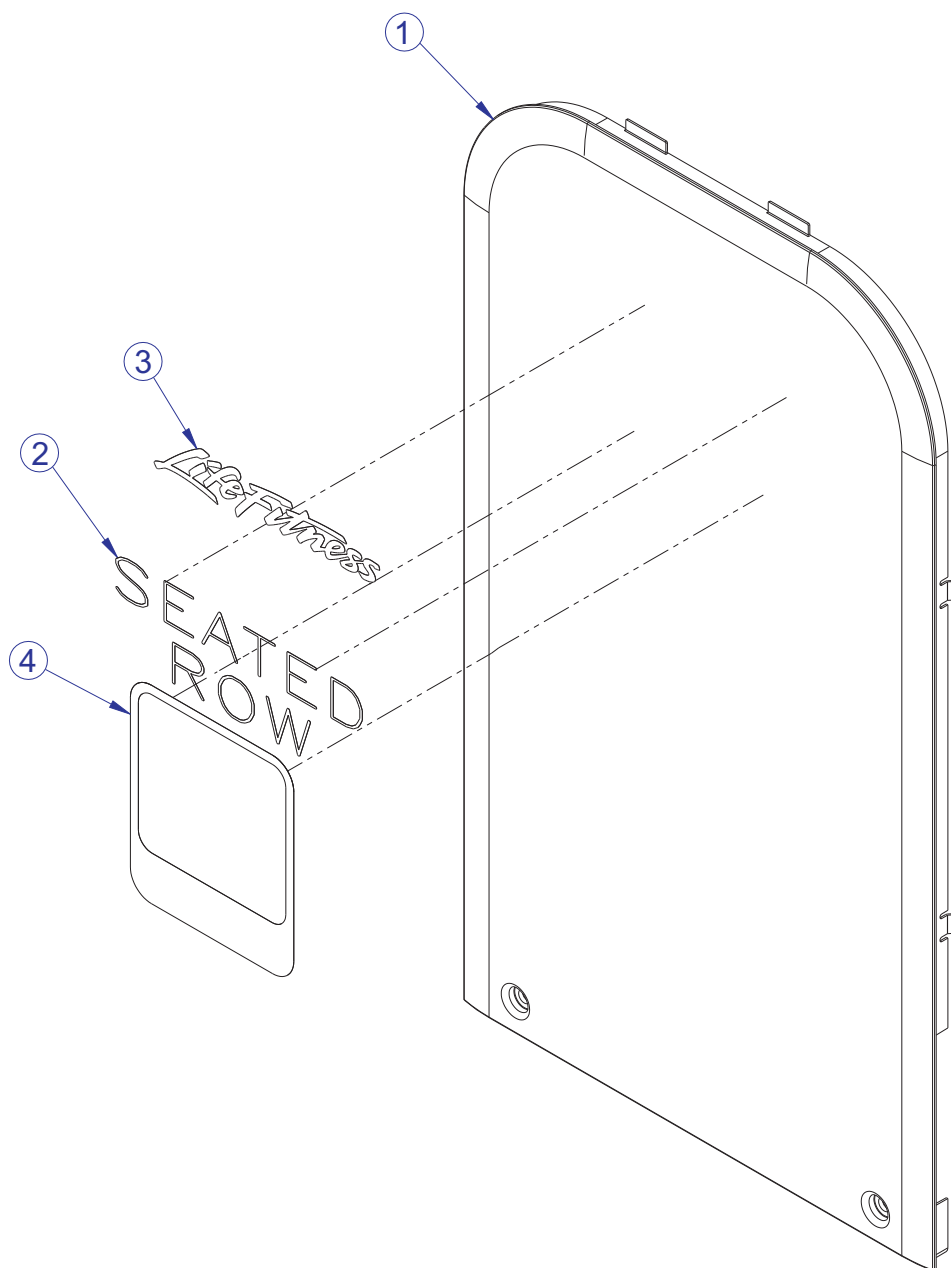
ITEM NO.	QTY.	PART NO.	DESCRIPTION
1	1	79855XX	WLDMT, TC-TOWER, FRAME
2	1	79856XX	WLDMT, TC-TOWER, COVER
3	2	3253915	SCREW, M8 X1.25 90MM
4	6	3242004	NUT, M8 X 1.25 HEX NYLOCK
5	20	3252802	M6-1.0 X 10 HXS BUT CS ST ZN
6	3	3251204	SCREW, M10 X1.5 X 35MM UNS HEX CS ST ZN
7	10	3102509	WASHER, TYPE A PLAIN
8	4	3253908	SCREW, M8 X1.25 55MM
9	2	3242002	NUT, M10 X 1.5 HEX NYLOCK
10	2	3257401	WASHER, FLAT, ST, ZN
11	2	3251710	SCREW, M10 X1.5 65MM
12	2	7996101	SPACER, TC-TOWER, HEADER
13	1	7995801	ASSY, TC-TOWER, HEADER
14	2	8015701	PIN, TC-TOWER, BLOCK FIXED
15	16	8015001	ASSY, CORD, BUNGEE 1/2"
16	12	8014901	ASSY, CORD, BUNGEE 3/8"
17	4	8018401	ASSY, ROLLER
18	1	7985795	WLDMT, TC-TOWER, CARRIAGE
19	14	8013101	SELECT BLOCK, TC-TOWER
20	2	8013301	PLATE, BUNGEE SPACER
21	28	8015601	PIN, TC-TOWER, BUNGEE
22	1	3232420	RING, BRE .926, 5100-98 ST PP B
23	1	3256901	BEARING, 6207NR BALL
24	1	7995701	AXLE, TC-TOWER
25	1	7882701	SHIM, 1.225-1.75-.03
26	1	7882801	SHIM, 1.005-1.50-.03
27	1	8019901	CAM, TC-TOWER
28	1	3257001	BEARING, 6205NR BALL
29	2	8012901	CAP, MFLOV END
30	2	8019201	BRKT, TC-TOWER, BELT
31	1	8019501	SHAFT, TC-TOWER,PULLEY
32	1	8019701	ROLLER, TC-TOWER, BELT
33	1	8019401	PLATE, TC-TOWER, PULLEY MOUNT
34	1	8019301	BRKT, TC-TOWER, PULLEY
35	1	8024301	PLATE, TC-TOWER, SPACER
36	2	8019601	BLOCK, BELT, TC-TOWER
37	1	8026401	BELT, 30MM, KEVLAR

TCRW SEATED ROW TOWER HEADER ASSEMBLY - 7995801



ITEM NO.	QTY.	PART NO.	DESCRIPTION
1	1	7995901	BAR, HEADER, FRONT
2	1	7996001	PLATE, SPRING RETAINER
3	5	3262001	M6-1.0 X 10 TORX BUT CS ST ZN
4	12	8020001	PIN, TC-TOWER, SELECTOR
5	12	8013001	KNOB, TC-TOWER, PIN
6	12	3265601	BALL, CHROME ALLOY STEEL X 3.5MM
7	12	3253202	SPRING, .12 DIA X .438 X .018 WIRE DIA

TCRW SEATED ROW REAR SHROUD ASSEMBLY - 8024807



ITEM NO.	QTY.	PART NO.	DESCRIPTION
1	1	8012701	SHROUD, TC-TOWER, REAR
2	1	8024907	LABEL, STRENGTH CIRCUIT, TCRW
3	1	8037701	LABEL, TC, LIFE FITNESS
4	1	8038007	LABEL, TCRW, PLACARD REAR

TCRW SEATED ROW IMAGE



Free Manuals Download Website

<http://myh66.com>

<http://usermanuals.us>

<http://www.somanuals.com>

<http://www.4manuals.cc>

<http://www.manual-lib.com>

<http://www.404manual.com>

<http://www.luxmanual.com>

<http://aubethermostatmanual.com>

Golf course search by state

<http://golfingnear.com>

Email search by domain

<http://emailbydomain.com>

Auto manuals search

<http://auto.somanuals.com>

TV manuals search

<http://tv.somanuals.com>