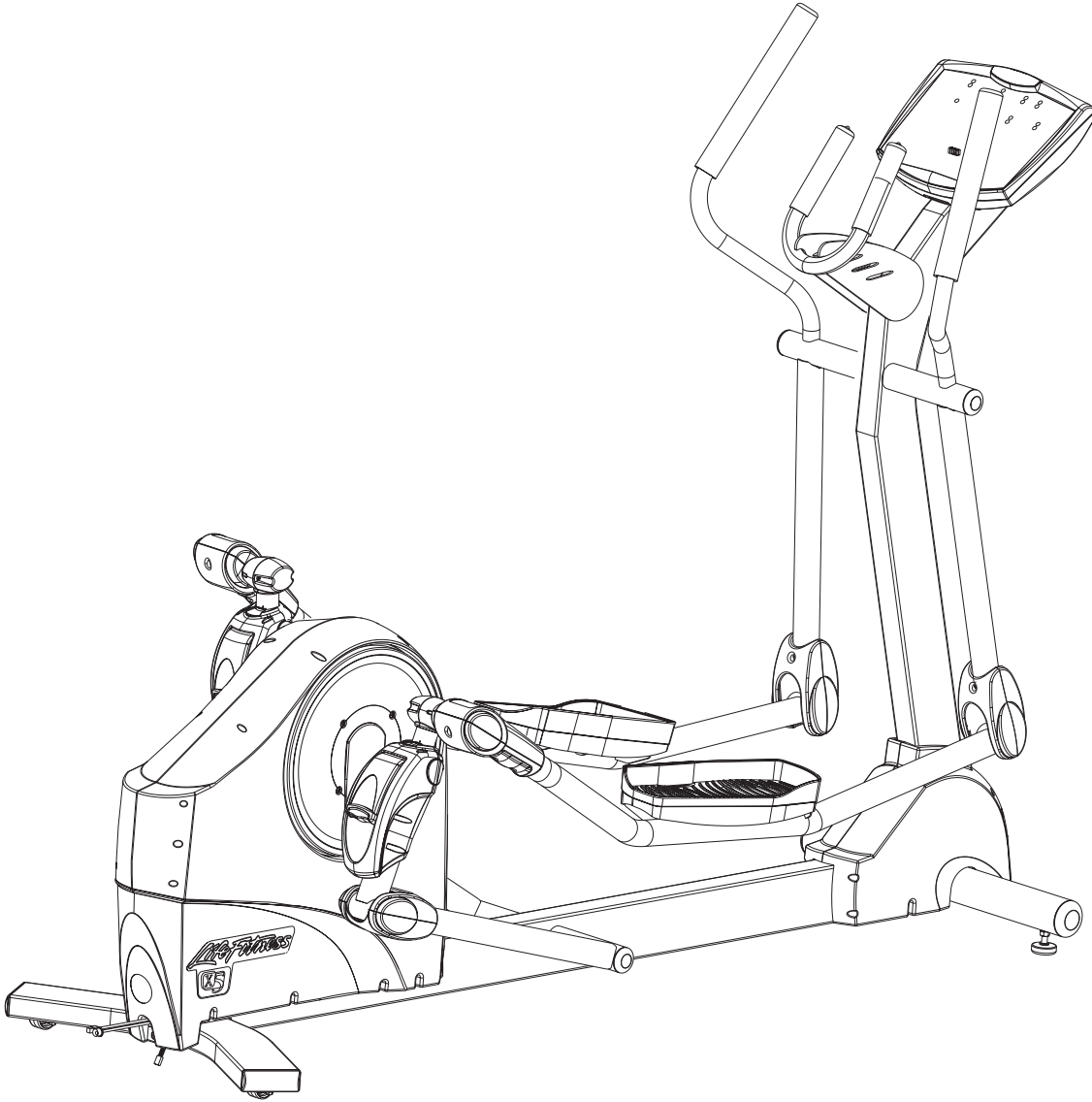


X5-XX0X-0101 (xxxxxxxxx- up)



Parts Manual

rev 25 Oct 2007

X5-XX0X-0101

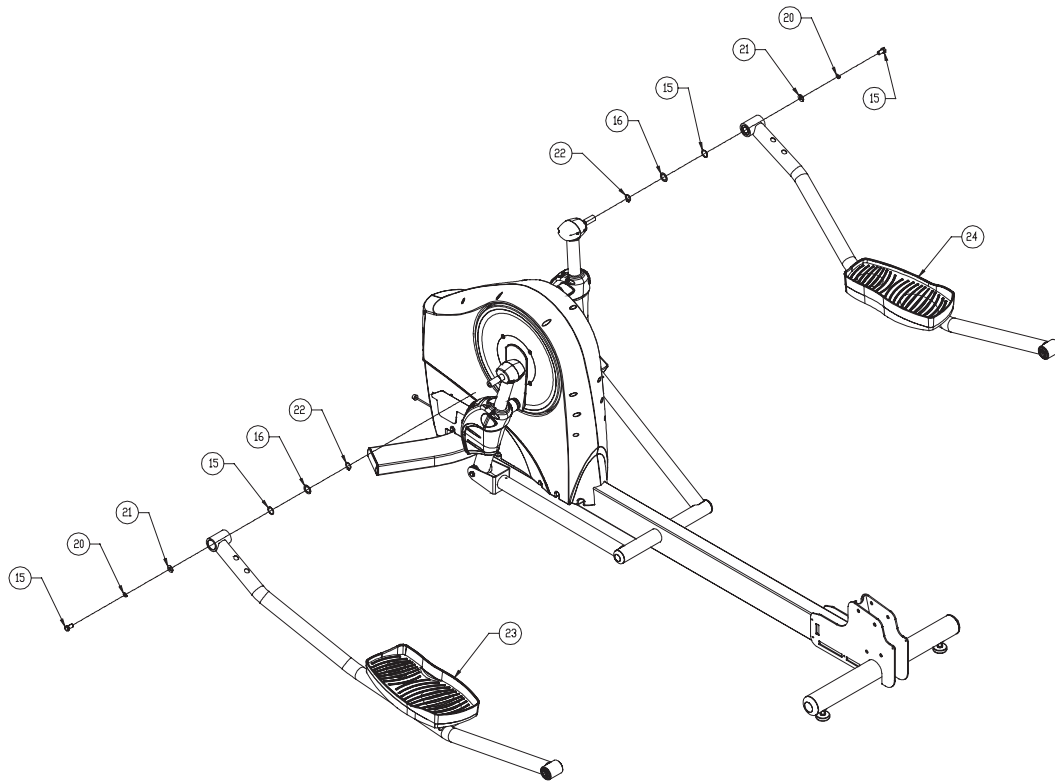
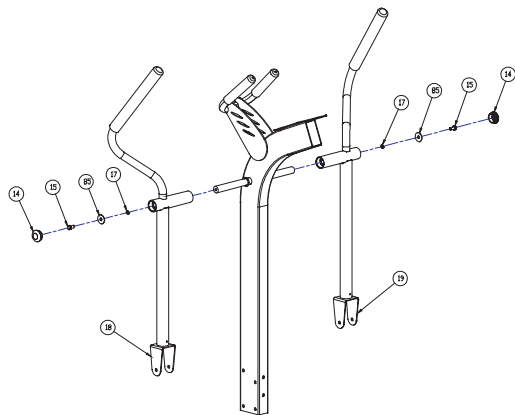
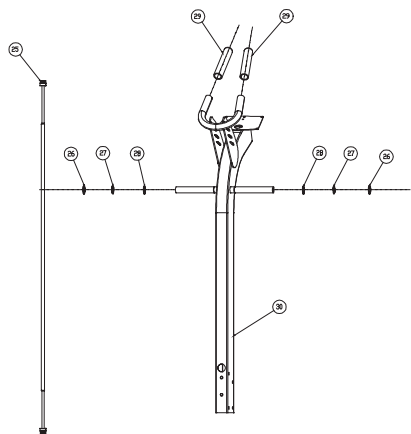
(xxxxxxxxx- up)

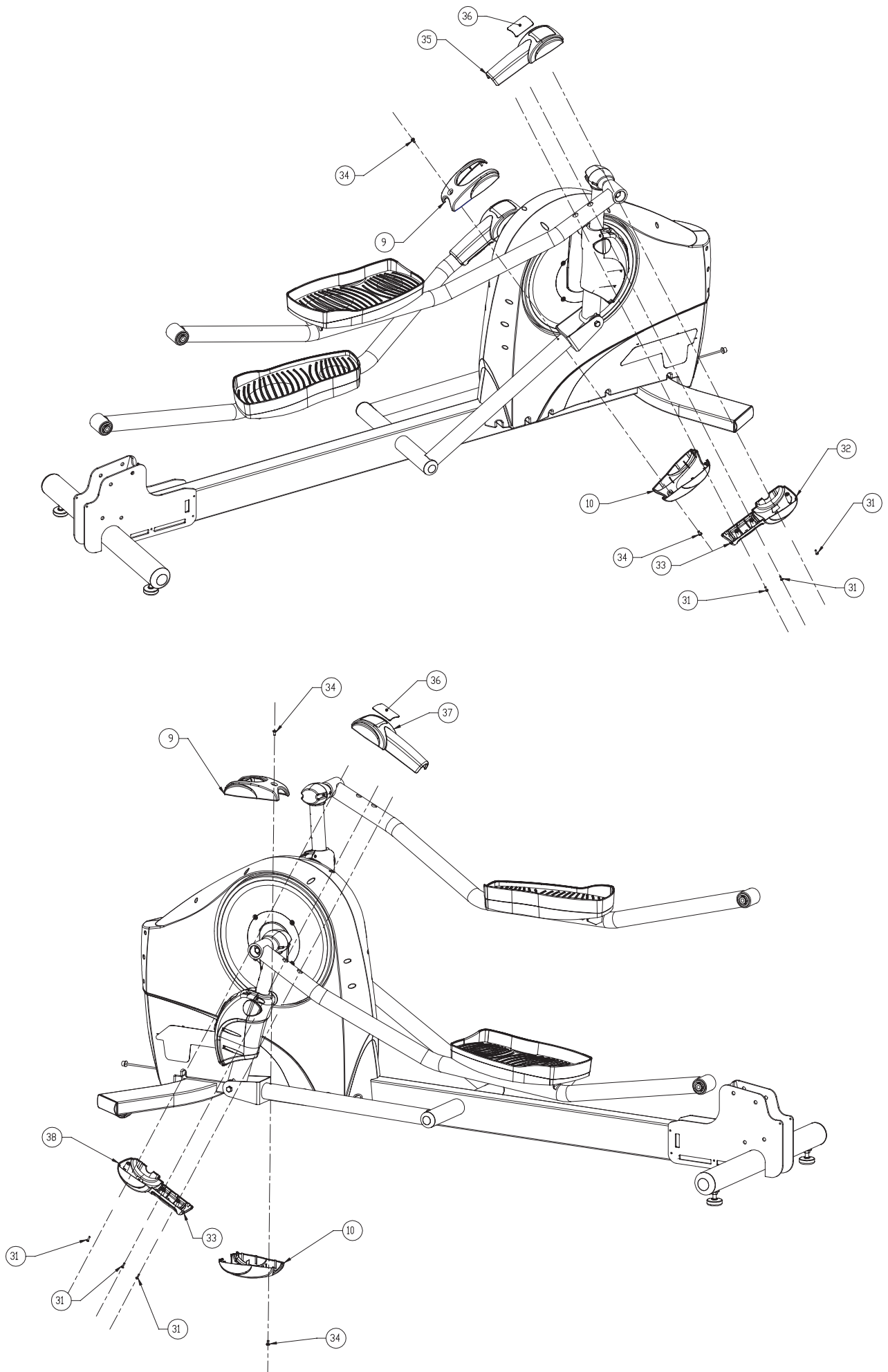
KEY #	PART #	DESCRIPTION
1	3223401	10-32X6 PHL PAN HEAD TT ST BZ
2	3225905	8-18 X 12 PHL PAN PLT ST BZ
3	3226003	6-20 X 8 PHL PAN PLT ST BZ
4	3223317	3/8-16X5 UNS HEX FHB G5 ZN
5	3223310	3/8-16X3-1/4 UNS HEX FHB G5 ZN
6	3102802	NUT, NYLOCK 3/8-16
7	3102514	WASHER, FLAT 3/8" SAE ST ZN
8	3234101	1/4-20 PHL PAN TT ST ZN
9	6914901	COVER, CLEVIS 1.75" TOP
10	6915001	COVER, CLEVIS 1.75" BOTT
11	6997301	SHROUD, STANCHION, RT
12	6997201	SHROUD, STANCHION, LT
13	6961001	CAP, TUBE 2 X 4 CUSTOM
14	6937801	CAP, TUBE 1.75 DIA
15	3234201	3/8-16 X 12 UNS HEX L FHB G5ZN
16	3225006	WSH .760-1.125-031 SPEC ST ZN
17	3102601	WASHER, LOCK 3/8 ID
18	6909401	ASSY, ROCKER-RH
19	6909501	ASSY, ROCKER-LH
20	3102601	WASHER, LOCK 3/8 ID
21	3225001	WSH 406-875-060 SPEC ST ZN
22	3232415	RNG:BRE .704 5100-075 ST PP B
23	7036201	ASSY, PDL LVR-RH (Pedal only#7583701) (screw 3224401,qty4)
24	7036301	ASSY, PDL LVR-LH (Pedal only#7583601) (screw 3224402,qty4)
25	6944701	CABLE ASSY, UPRIGHT FRAME
26	3225005	WSH 1.031-1.375-031 SPEC ST ZN
27	3225202	WSHR 1.051-1.351-015SP-D ST
28	3232421	RING:BRE .940 5100-100 ST PP B
29	6968301	FOAM GRIP, STATIONARY HNDL BAR
30	6880002	WLDMT, FRAME UPRIGHT LONG BLK
31	3226003	6-20 X 8 PHL PAN PLT ST BZ
32	7040801	HANDLE, BOTTOM-LH
33	7041101	HANDLE, GRIP
34	3223401	10-32X6 PHL PAN HEAD TT ST BZ
35	7040601	HANDLE, TOP-LH
36	7102301	LABEL, SELECT STRIDE INST
37	7040501	HANDLE, TOP-RH
38	7040701	HANDLE, BOTTOM-RH
39	7037801	ASSY, ADJ COUPLER LH
40	7037701	ASSY, ADJ COUPLER RH

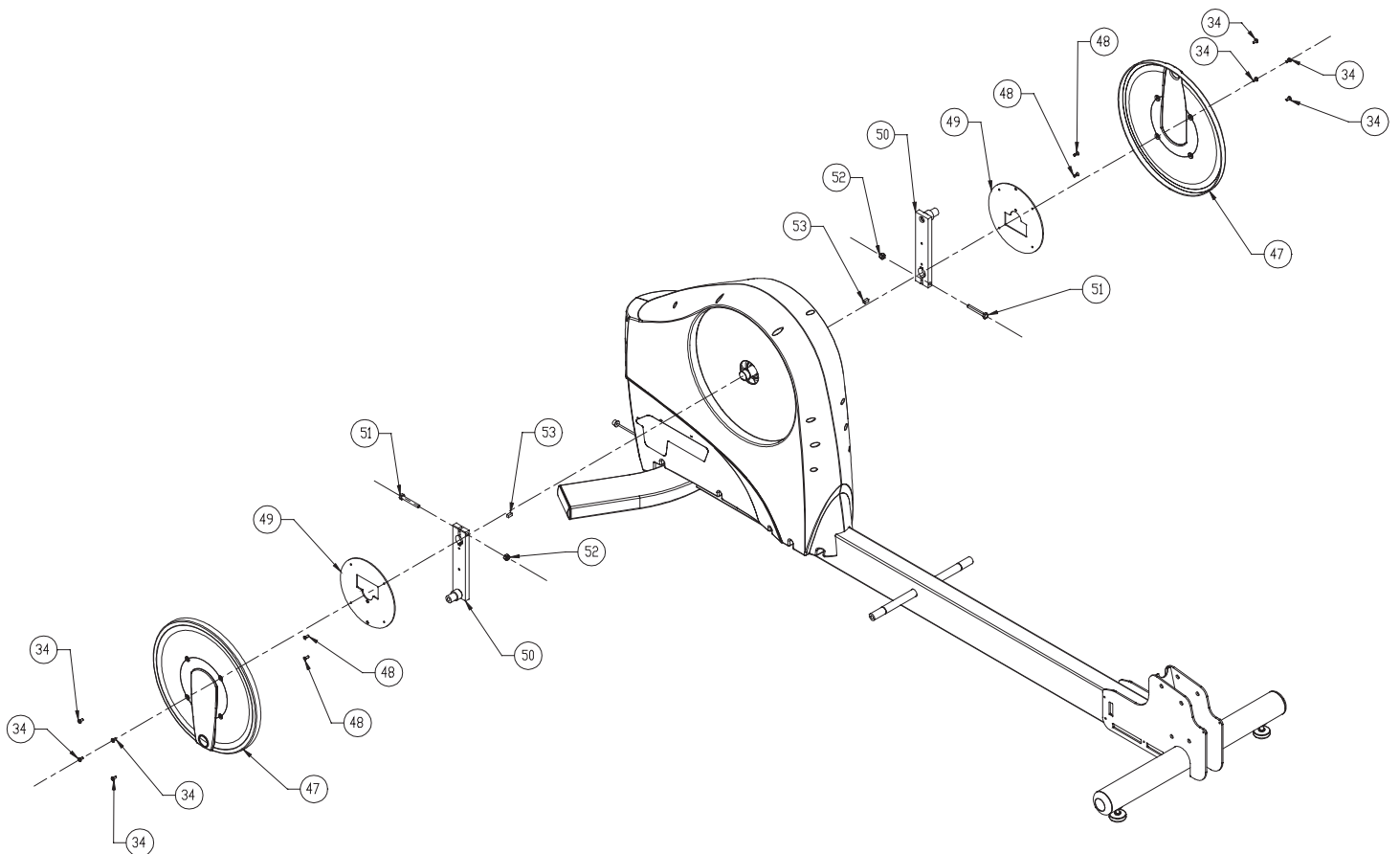
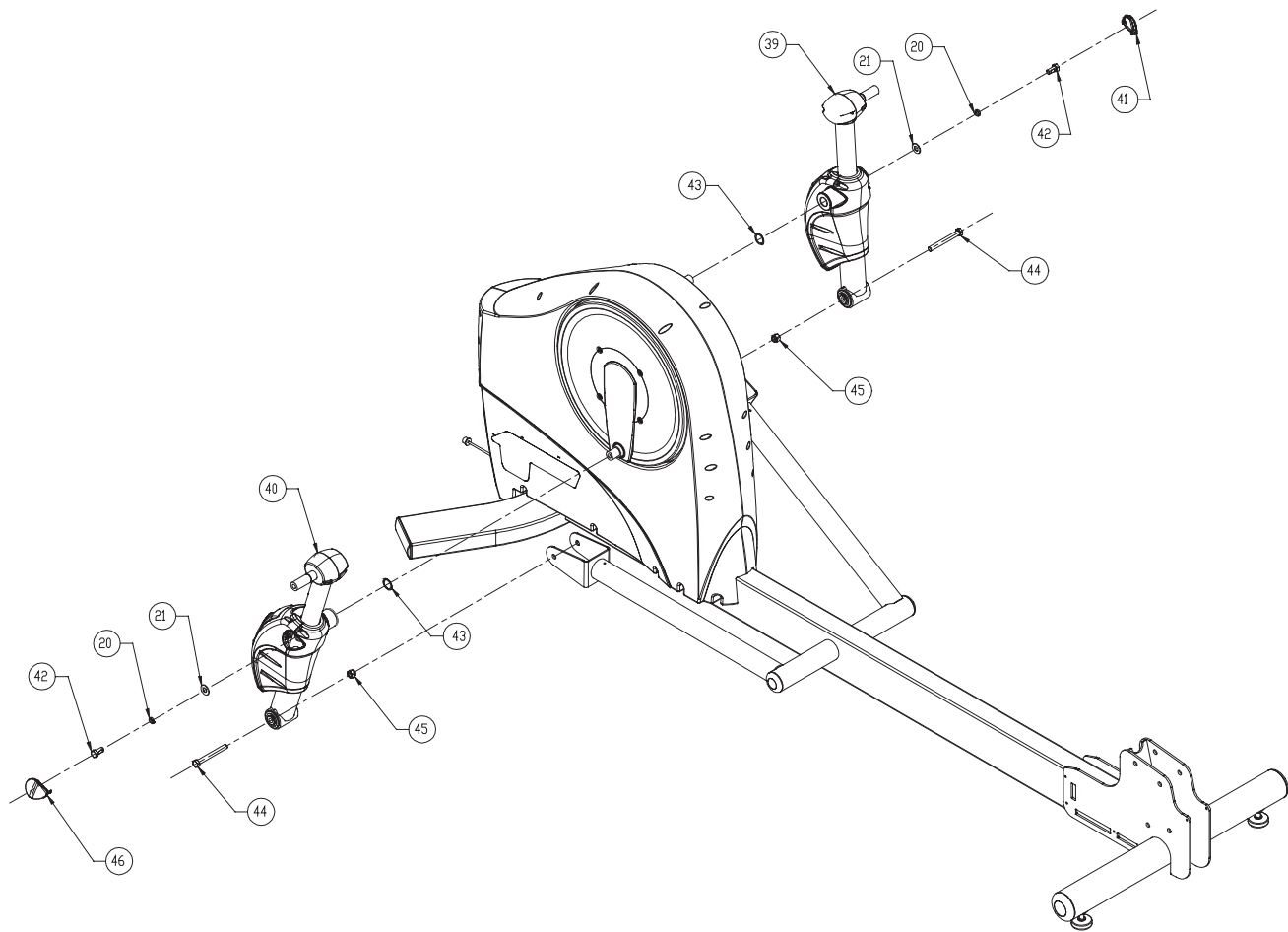
KEY #	PART #	DESCRIPTION
41	7040101	PLUG, HOUSING-LH
42	3234201	3/8-16 X 12 UNS HEX L FHB G5ZN
43	3225201	WSH780-1.00-101SP-D ST NO WAVE
44	3223310	3/8-16X3-1/4 UNS HEX FHB G5 ZN
45	3102802	NUT, NYLOCK 3/8-16
46	7040001	PLUG, HOUSING-RH
47	6937601	COVER, CRANK
48	3223603	10-24X8 PHL FLT MS ST ZN
49	6937701	PLATE, SUPPORT COVER
50	7060001	WLDMT, LONG SHAFT CRANK
51	3232601	5/16-18 X HEX BLT G8 ZN
52	3232701	NUT,NYLOCK ST GR8 ZN
53	3223001	KEY, .250 SQUARE X .500
54	6937801	CAP, TUBE 1.75 DIA
55	6911201	SHROUD, REAR RIGHT
56	6911101	SHROUD, REAR LEFT
57	6911301	SHROUD, REAR LOWER
58	3223802	1/4-20 X 3/4 UNS HEX FHB G5 ZN
59	3114503	WASHER, LOCK 1/4 ID BZ
60	3102506	WASHER, FLAT 1/4 ID ZN
61	6943601	ASSY, ACTUATOR
62	3228401	BUSHING, 1.25 DIA WIRE
63	3223201	8-32X6 TRX PAN SEMS MS ST BZ
64	3232420	RING:BRE 0.926 5100-98 ST PPB
65	3225301	BEARING, 12 MM BALL
66	3226801	CABLE TIE, 3/16" X 11"
67	6944401	ASSY, OPTO SENSOR - BRACKET
68	3223314	3/8-16X4-1/4 UNS HEX FHB G5 ZN
69	3228601	WSH, 3/8 FLT HRD ST YZ
70	6943501	ASSY, TENSIONER
71	6923701	BUSHING, FLANGE TENSIONER
72	7006601	ASSY, FLYWHEEL
73	3102514	WASHER, FLAT 3/8" SAE ST ZN
74	3230301	BELT, POLY V, 520J8
75	6948001	ASSY, CRANKSHAFT
76	6938001	CAP, 2.5 DIA TUBE
77	6944501	CABLE ASSY, LOWER FRAME
78	6937901	CAP, END 1.50" X 4.00" 11GA
79	6892501	WHEEL- FLOOR ROLLER
80	6892701	SHAFT, WHEEL MOUNTING
81	3226603	1/4-20 X 3/4 UNS HXW TT ST ZN
82	3224001	ASSY, FLOOR LEVELER
83	7048601	LABEL, X5 MODEL-RH
84	7048701	LABEL, X5 MODEL-LH
85	3225003	WSH 406-1.375-060 SPEC ST ZN
86	7070501	ASSY, STRAIGHT IDLER

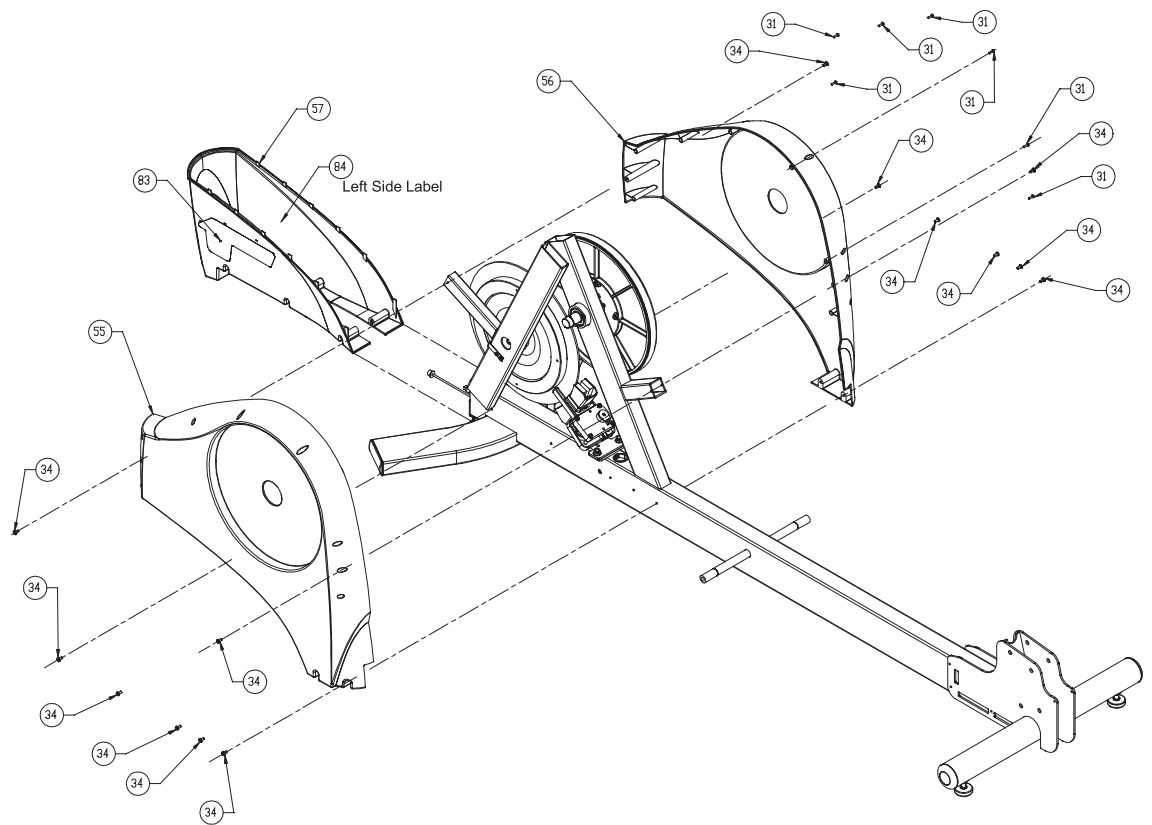
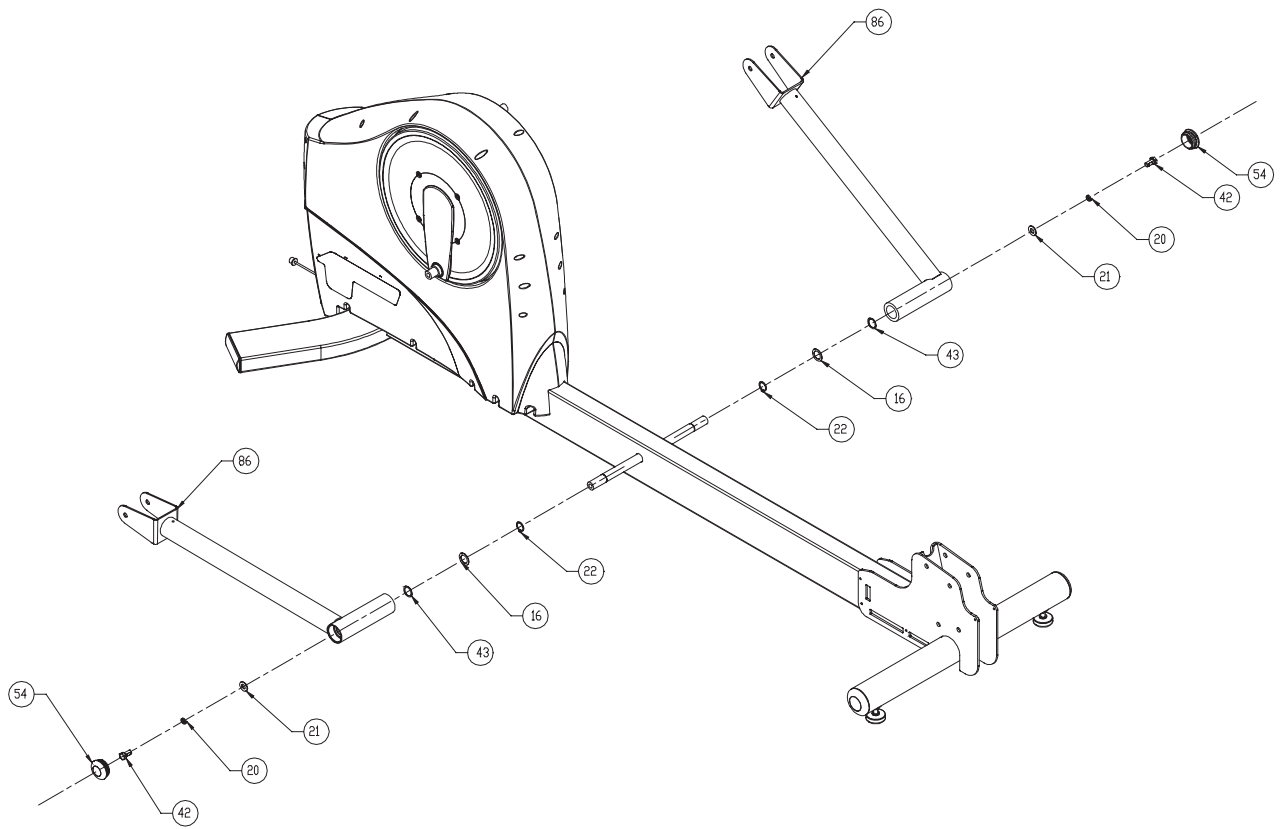
KEY #	PART #	DESCRIPTION
87	6915001	COVER, CLEVIS 1.75" BOTT
88	6914901	COVER, CLEVIS 1.75" TOP
	6955401	TRANSFORMER;EXTERNAL 120V
	7049101	OPERATION MANUAL X5
	6841901	CARD, WARRANTY
	7014601	LABEL, X3I/ X5I
	7059001	OPTO SENSOR WITH CABLE
	6952301	GRIP, USER ARM
	7048801	HDWE ASSY, BAG 1/1 X5
	6844201	RECEIVER, POLAR HR
	6855601	ISOLATOR, RECEIVER TUBE
	6844401	CABLE ASSY, JACK/HR
	6844101	TRANSMITTER, POLAR HR
	6844301	STRAP, HEART RATE LF
	6862601	LABEL, CONSOLE BACK
	6862701	LABEL, CONSOLE FRONT

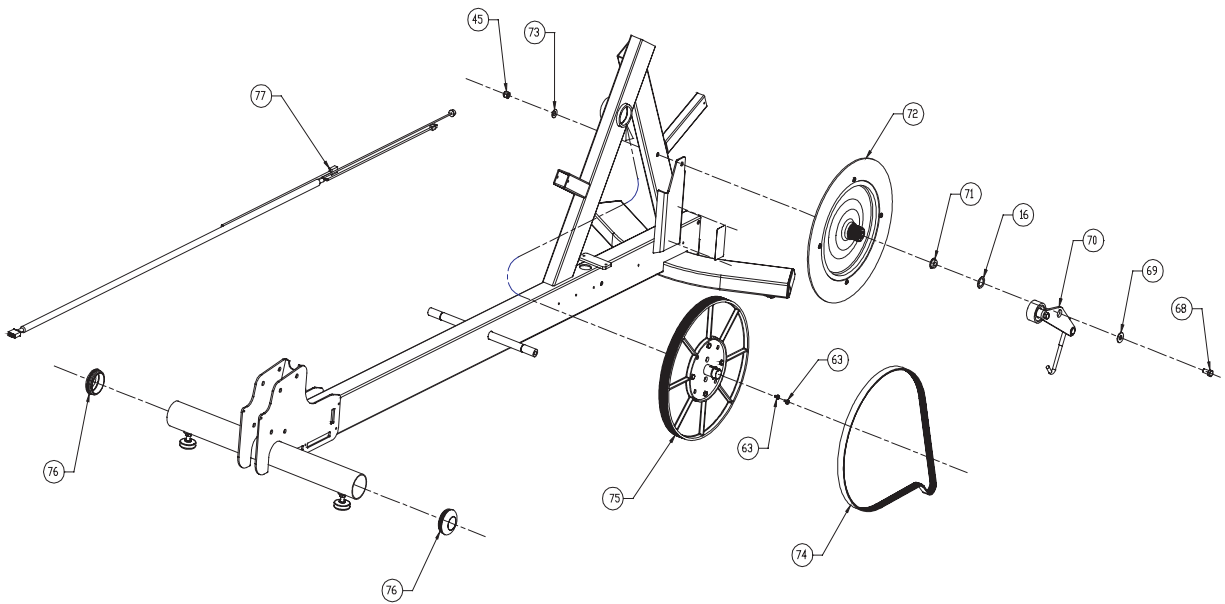
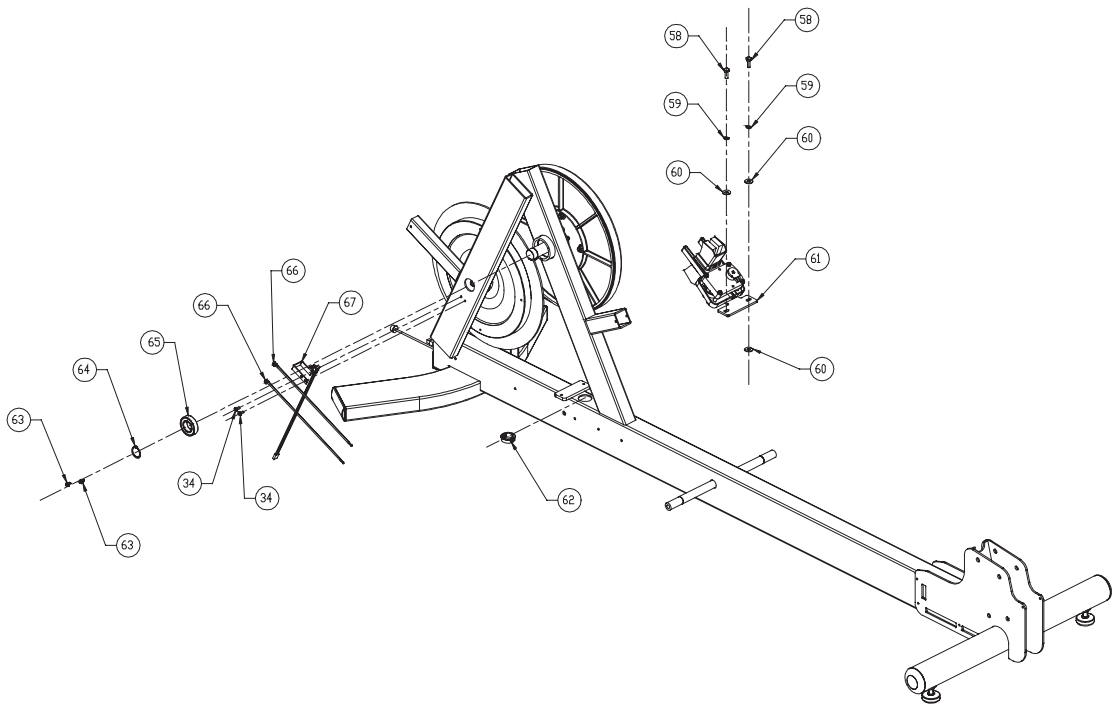
CONSOLES	
Part No.	Description
XCS-0000-0101	Standard Console (has 3 separate windows)
XCI-0000-0101	Integrated Console (has 1 long window)

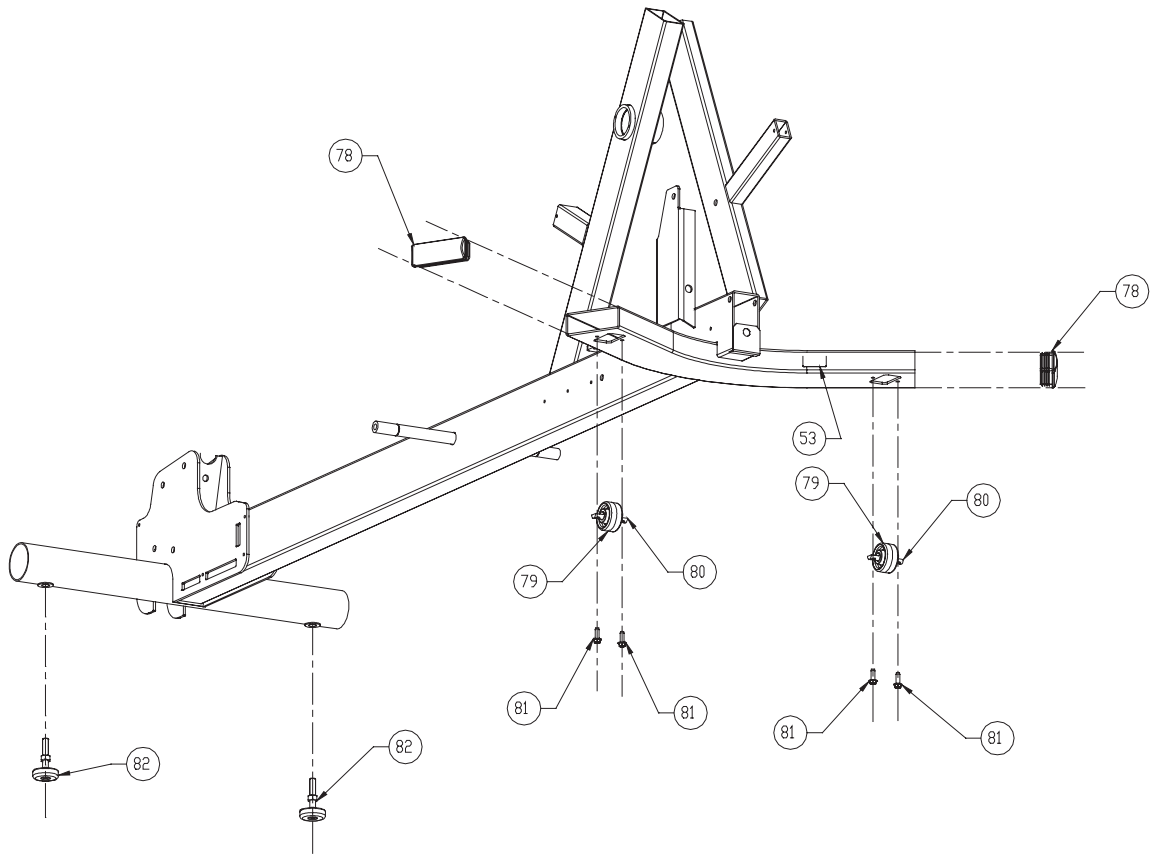


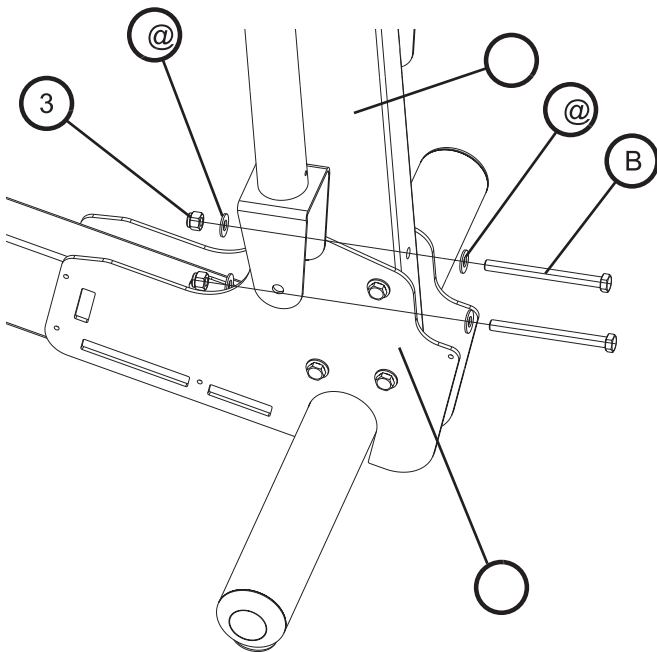
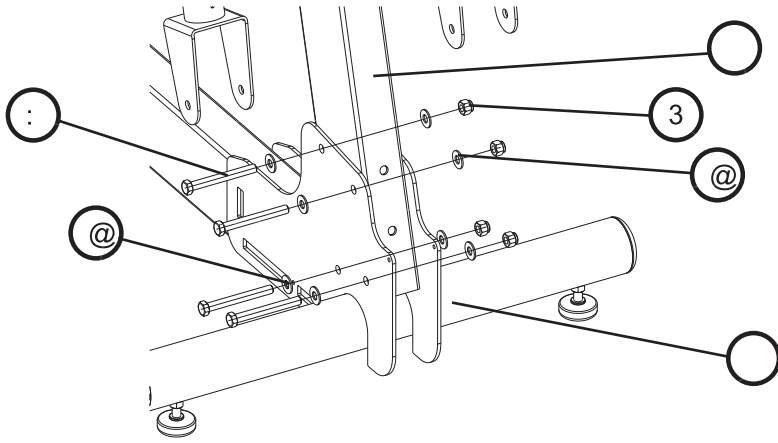


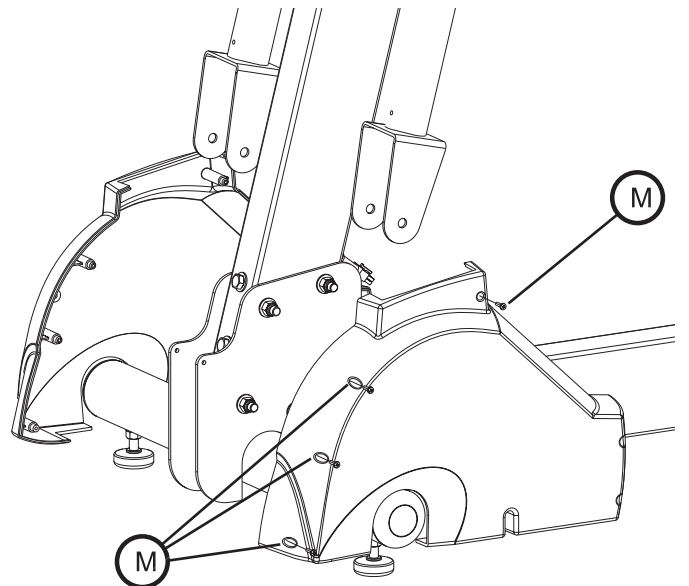
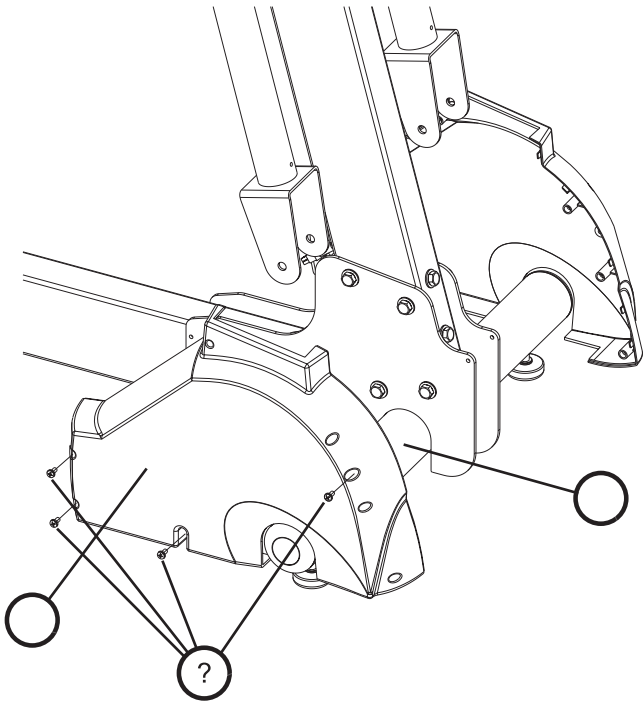
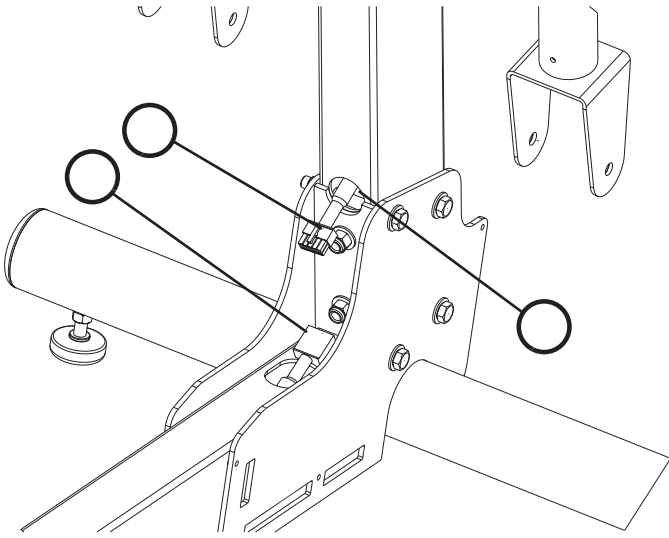


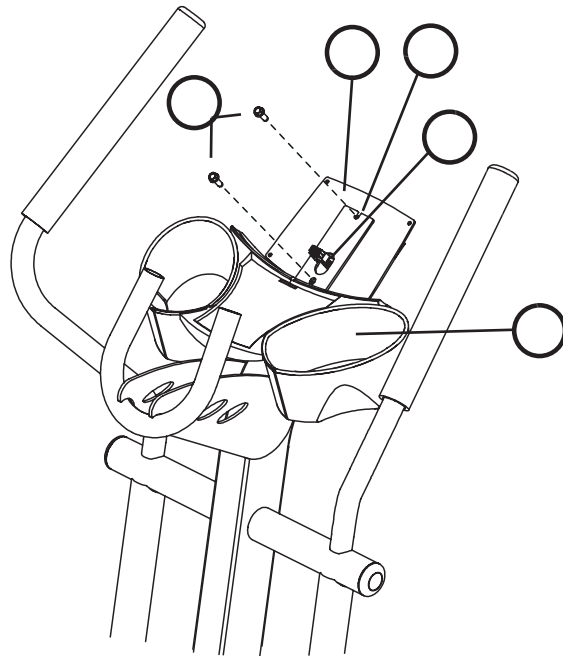
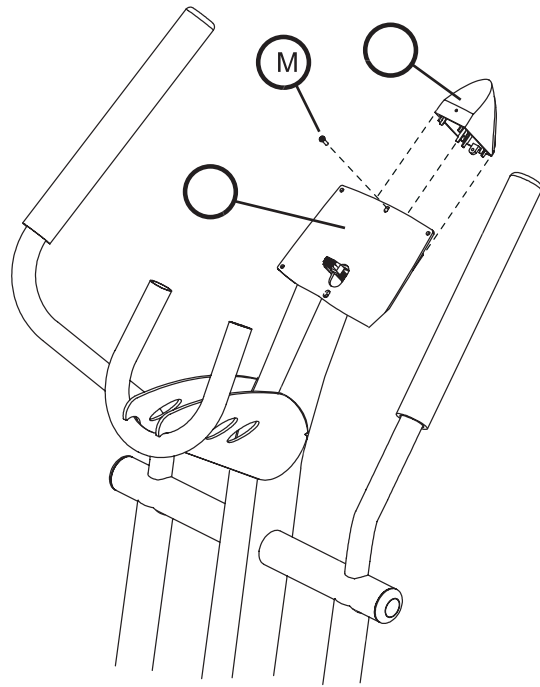


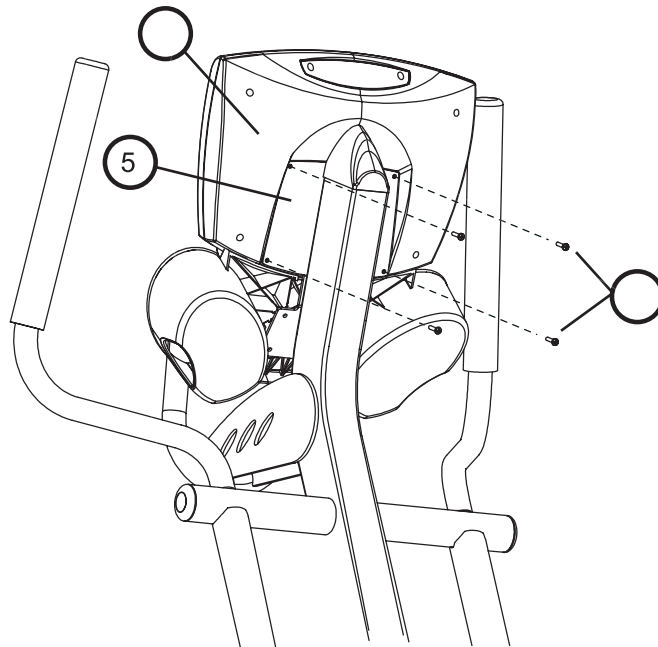
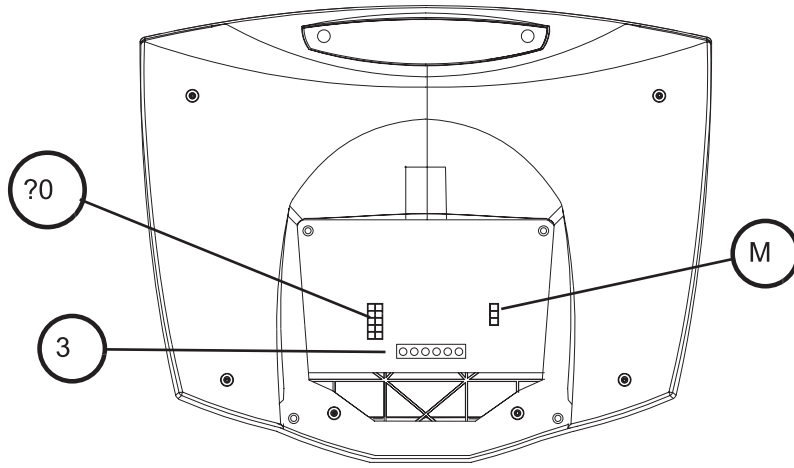


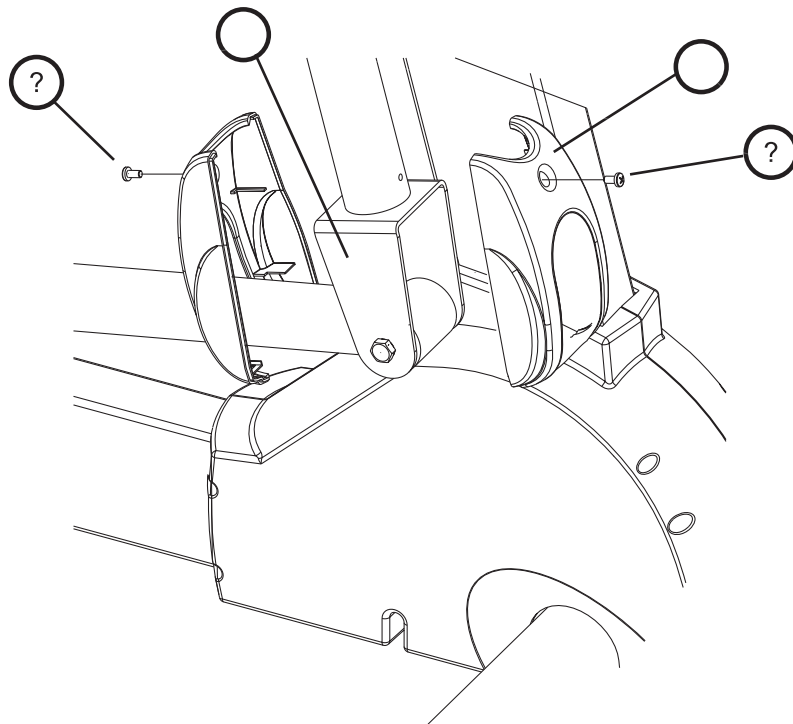
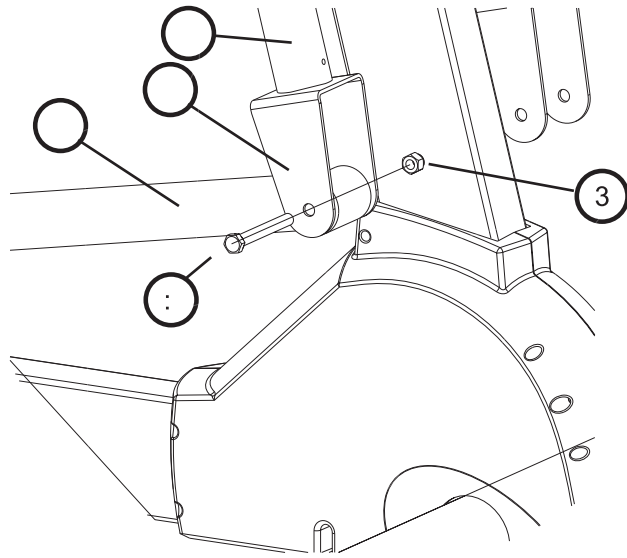












Free Manuals Download Website

<http://myh66.com>

<http://usermanuals.us>

<http://www.somanuals.com>

<http://www.4manuals.cc>

<http://www.manual-lib.com>

<http://www.404manual.com>

<http://www.luxmanual.com>

<http://aubethermostatmanual.com>

Golf course search by state

<http://golfingnear.com>

Email search by domain

<http://emailbydomain.com>

Auto manuals search

<http://auto.somanuals.com>

TV manuals search

<http://tv.somanuals.com>