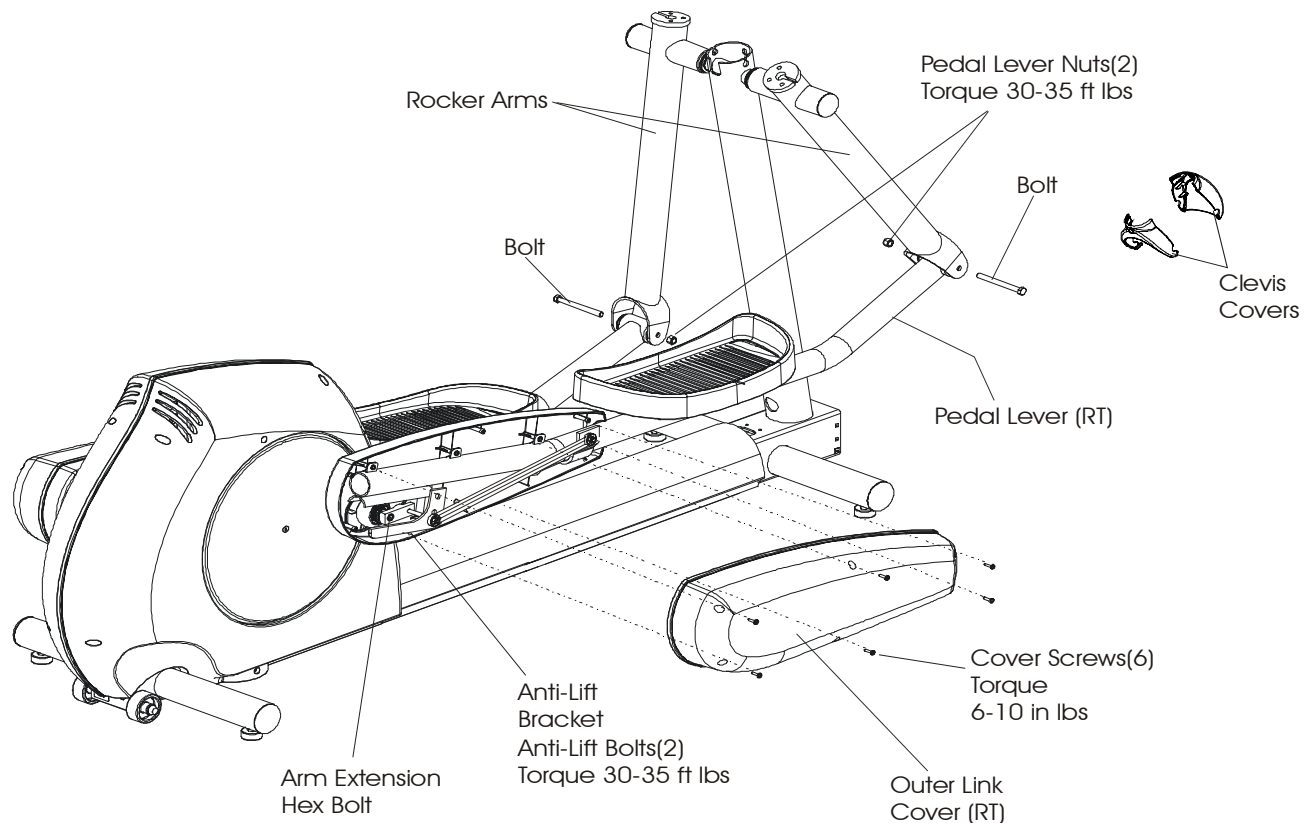
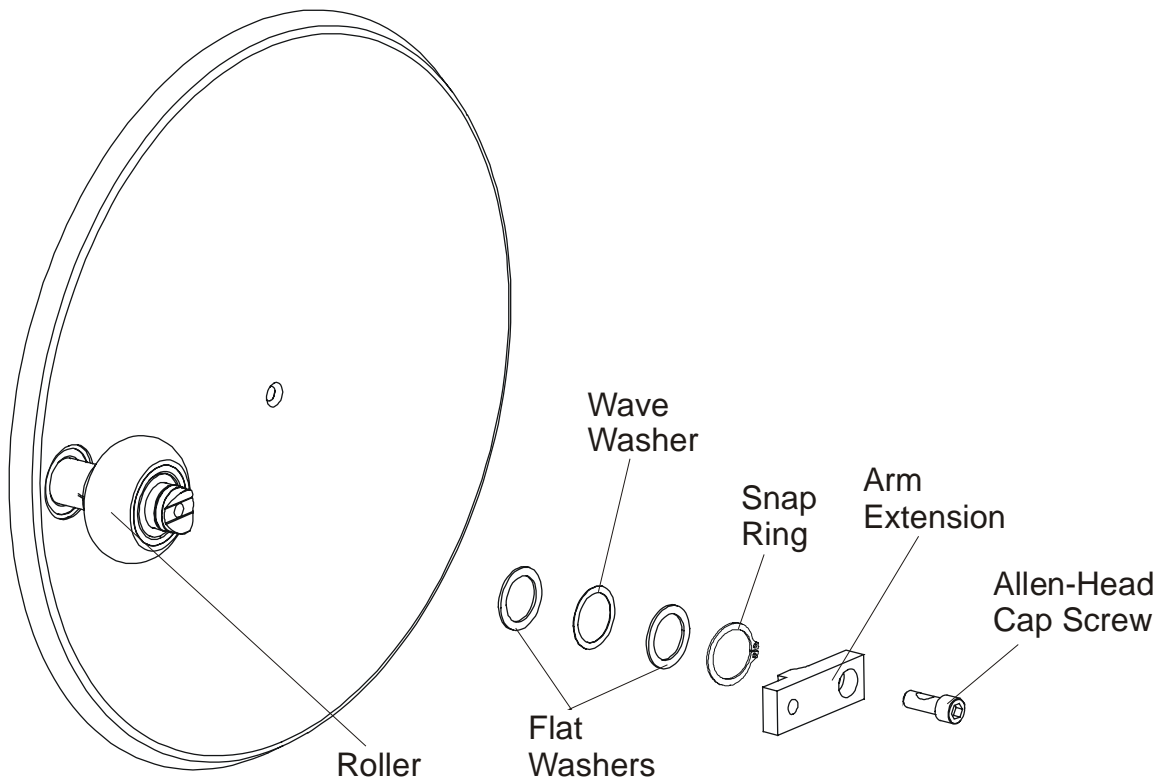


How To... Install Shaft Collar Service Kit



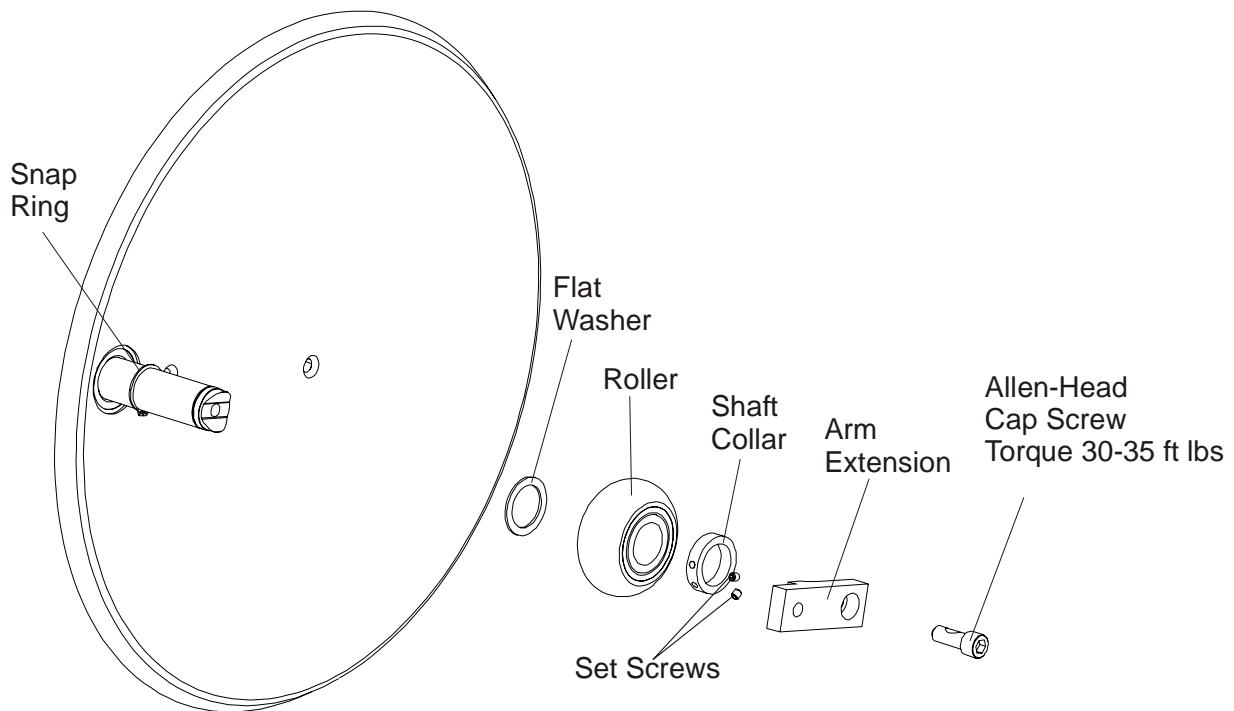
1. Remove the Outer Link Covers by removing six mounting screws from each Outer Link Cover.
2. Remove the Anti-Lift Bracket by removing two mounting bolts from each Bracket.
3. Remove the Clevis Covers from the front of each Pedal Lever Assembly
4. Remove each Pedal Lever Assembly by removing the mounting bolt and nut at each Rocker Arm Joint, and the hex nut from each Arm Extension.

How To... Install Shaft Collar Service Kit (Continued)



5. Remove the Allen-Head Cap Screw from the end of the Arm Extension.
6. Remove the Arm Extension and save the Arm Extension and Allen-Head Cap Screw.
7. Remove the Snap Ring, Wave Washer, and Flat Washers on outside of Roller and discard.

How To... Install Shaft Collar Service Kit (Continued)



8. Install the new Shaft Collar (as shown in the illustration above) in place of the discarded washers.
9. Make sure the Roller turns freely before tightening the Set Screws on the Shaft Collar.
10. Re-install the Arm Extension, Allen-Head Cap Screw, Pedal Lever Assembly, and Outer Link Cover in reverse order. Tighten hardware to specified torque values.

Free Manuals Download Website

<http://myh66.com>

<http://usermanuals.us>

<http://www.somanuals.com>

<http://www.4manuals.cc>

<http://www.manual-lib.com>

<http://www.404manual.com>

<http://www.luxmanual.com>

<http://aubethermostatmanual.com>

Golf course search by state

<http://golfingnear.com>

Email search by domain

<http://emailbydomain.com>

Auto manuals search

<http://auto.somanuals.com>

TV manuals search

<http://tv.somanuals.com>