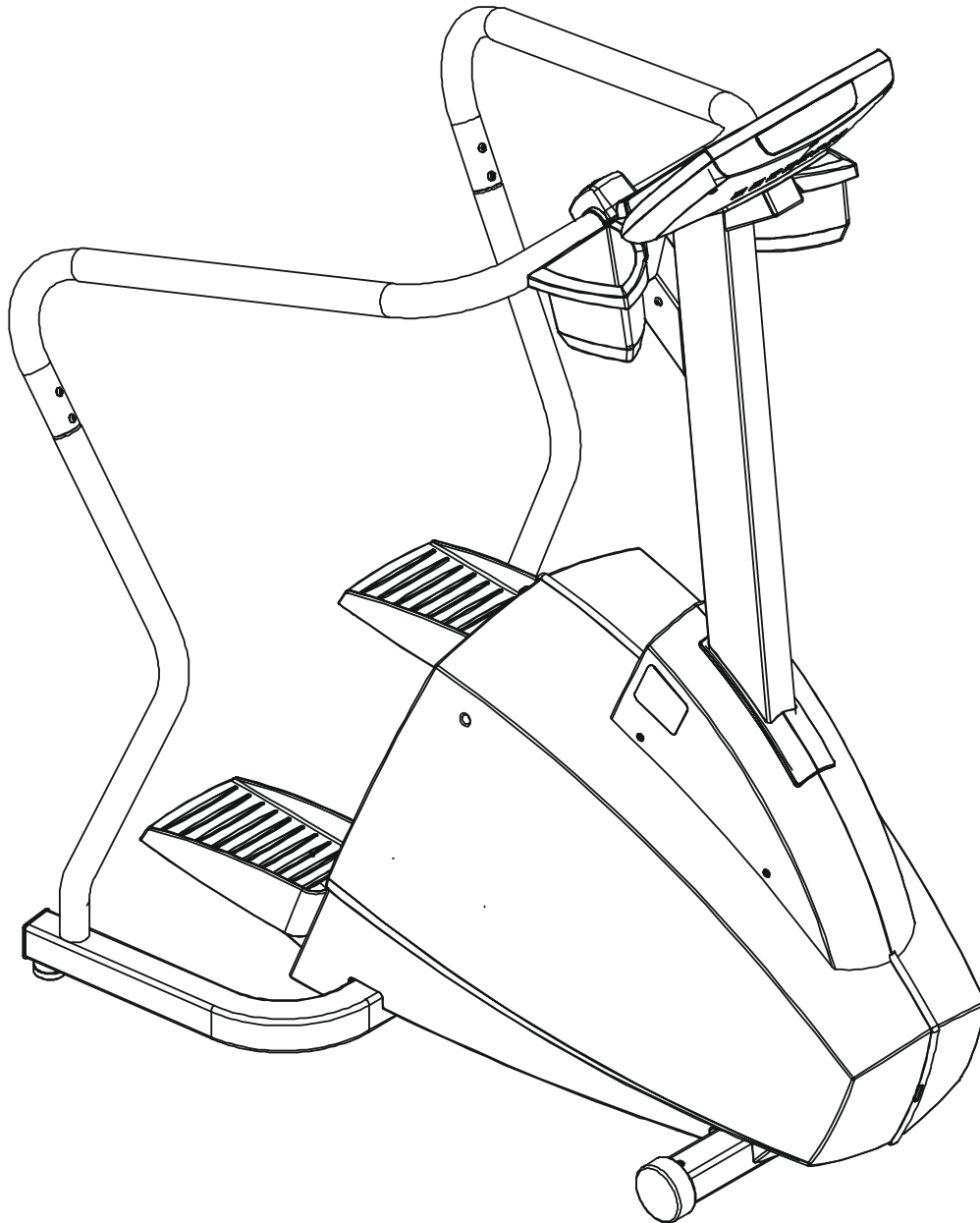


LifeFitness

ARCTIC SILVER 93SW Stairclimber



Customer Support Services ***PARTS MANUAL*** rev. 21 MAR 2007

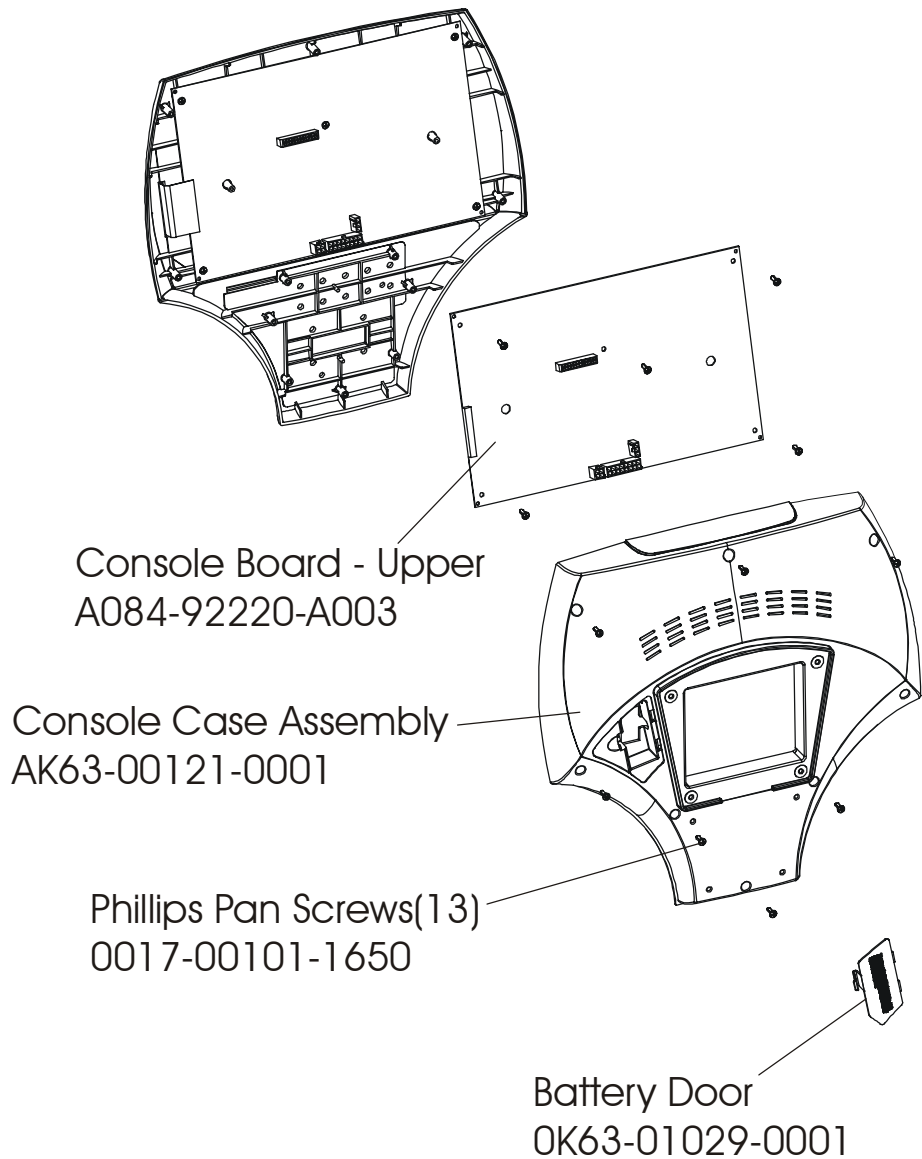
OPERATION MANUAL	M051-00K47-A033
SERVICE NETWORK KIT	GK63-00002-0003
HARDWARE BAG	AK47-00106-0000
TOUCH UP PAINT: SPRAY CAN .5 OZ BOTTLE W/APPLICATOR .33 OZ PEN	0017-00008-0204 0017-00008-0205 0017-00008-0206
ACCESS PANEL ASSEMBLY CONSISTS OF: 1) COAX CABLE 2) POWER EXT. CABLE 3) MOUNTING PLATE 4) F TYPE CONNECTOR	AK32-00020-0002 AK32-00078-0001 0K47-01197-0001 0017-00021-2846
SERVICE MANUAL	M051-00K47-A013

NOTE: ADDING THE LCD BOLT-ON SCREEN TO THE 93SW-0XXX-02 MAKES THE UNIT A 93SER-0XXX-02.

	Page
CONSOLE COMPONENTS	4
FRAME COMPONENTS.....	5
SHROUDS AND PEDAL TUBE	6
PEDAL ASSEMBLY.....	7
CLUTCH,SHAFT/PULLEY ASSEMBLY	8
LEFT CLUTCH ASSEMBLY	9
CROSSOVER PULLEY ASSEMBLY	10
ALTERNATOR ASSEMBLY.....	11
GUIDE ROLLERS	12
POWER CONTROL BOARD & RESISTORS	13
POLAR RECEIVER CAP	14
CABLES.....	15

ARCTIC SILVER 93SW
Console Components

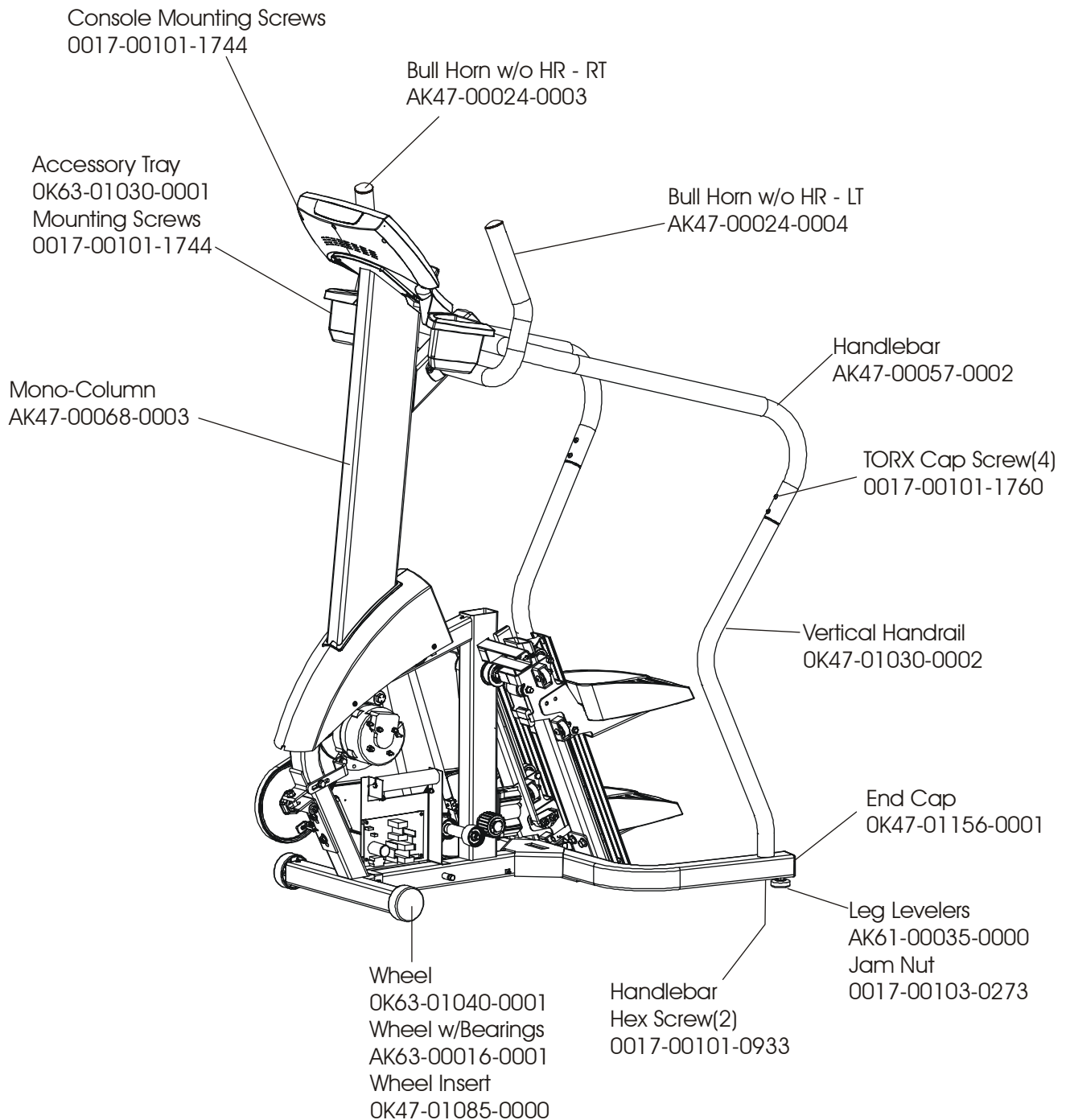
93SW-0XXX-02
S/N AWB100000 and UP



Console Assembly	Overlay/Bezel/Switch Assy.
AK47-00095-0001 Eng Met	AK47-00099-0001 Eng Met
AK47-00095-0003 Ger Met	AK47-00099-0003 Ger Met
AK47-00095-0004 Spn Met	AK47-00099-0004 Spn Met
AK47-00095-0006 Jap Met	AK47-00099-0006 Jap Met
AK47-00095-0007 Frn Met	AK47-00099-0007 Frn Met
AK47-00095-0008 Itl Met	AK47-00099-0008 Itl Met
AK47-00095-0009 Dut Met	AK47-00099-0009 Dut Met
AK47-00095-0010 Por Met	AK47-00099-0010 Por Met

ARCTIC SILVER 93SW
Frame Components

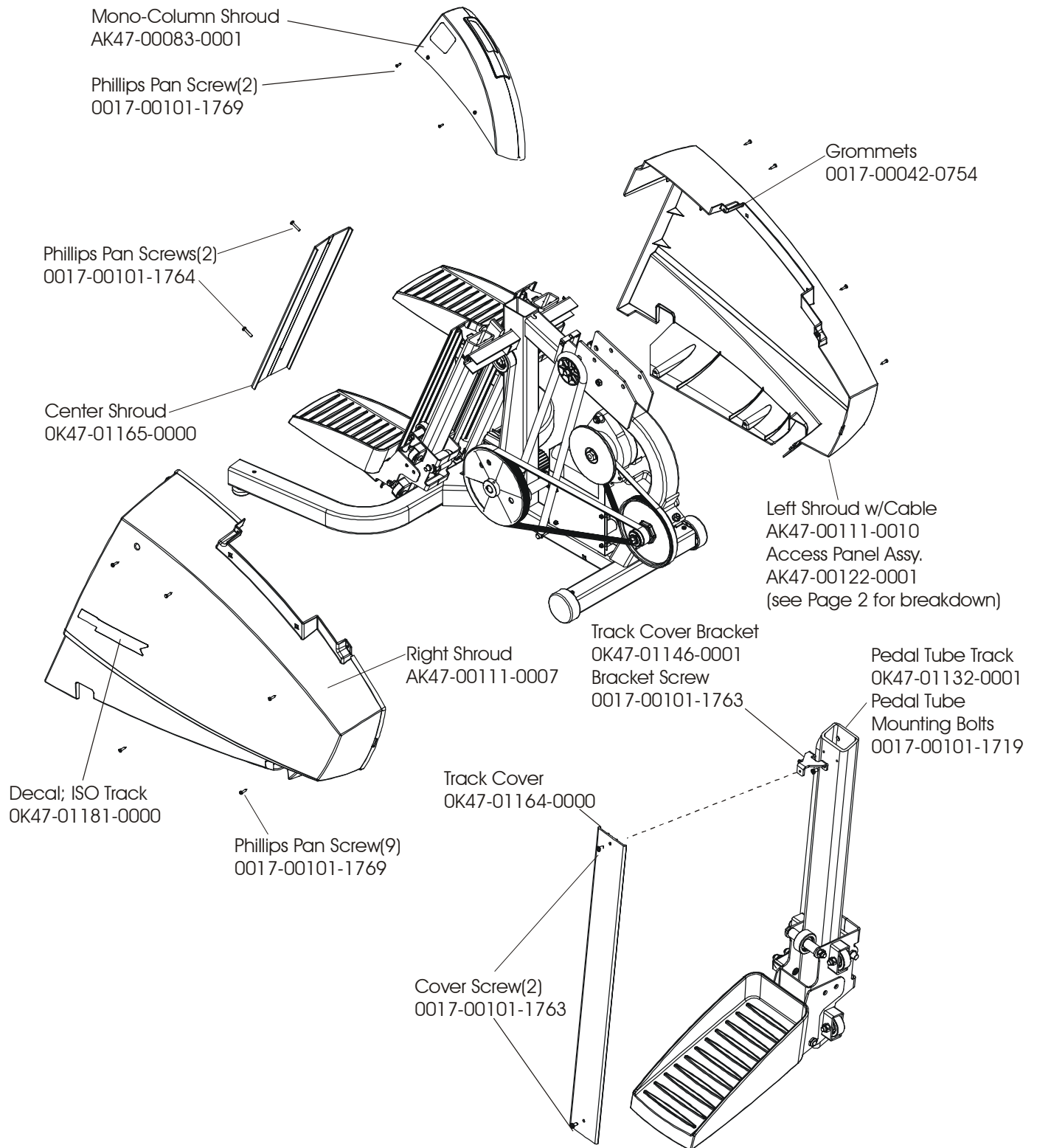
93SW-0XXX-02
S/N AWB100000 and UP



ARCTIC SILVER 93SW

Shrouds and Pedal Tube

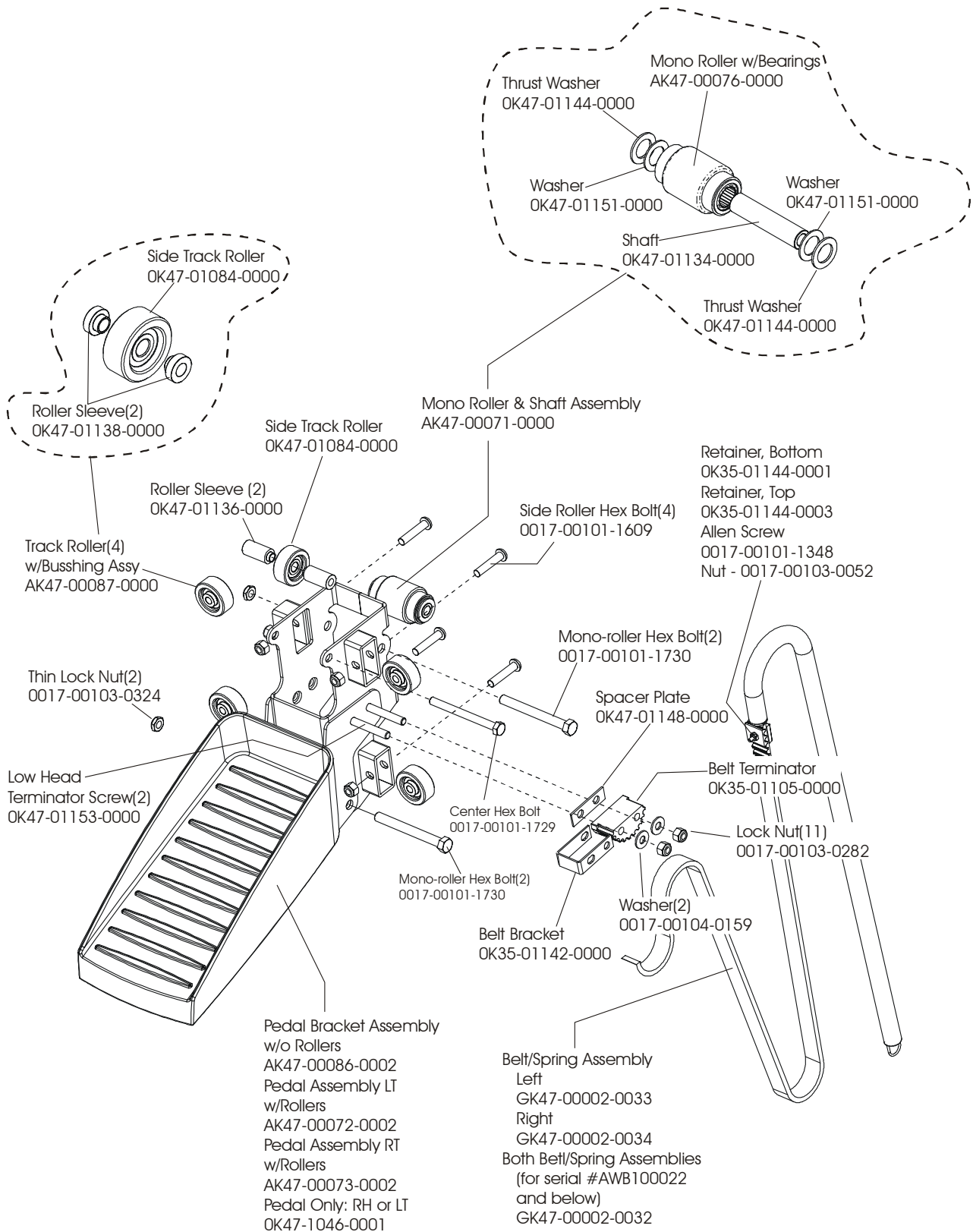
93SW-0XXX-02
S/N AWB100000 and UP



ARCTIC SILVER 93SW

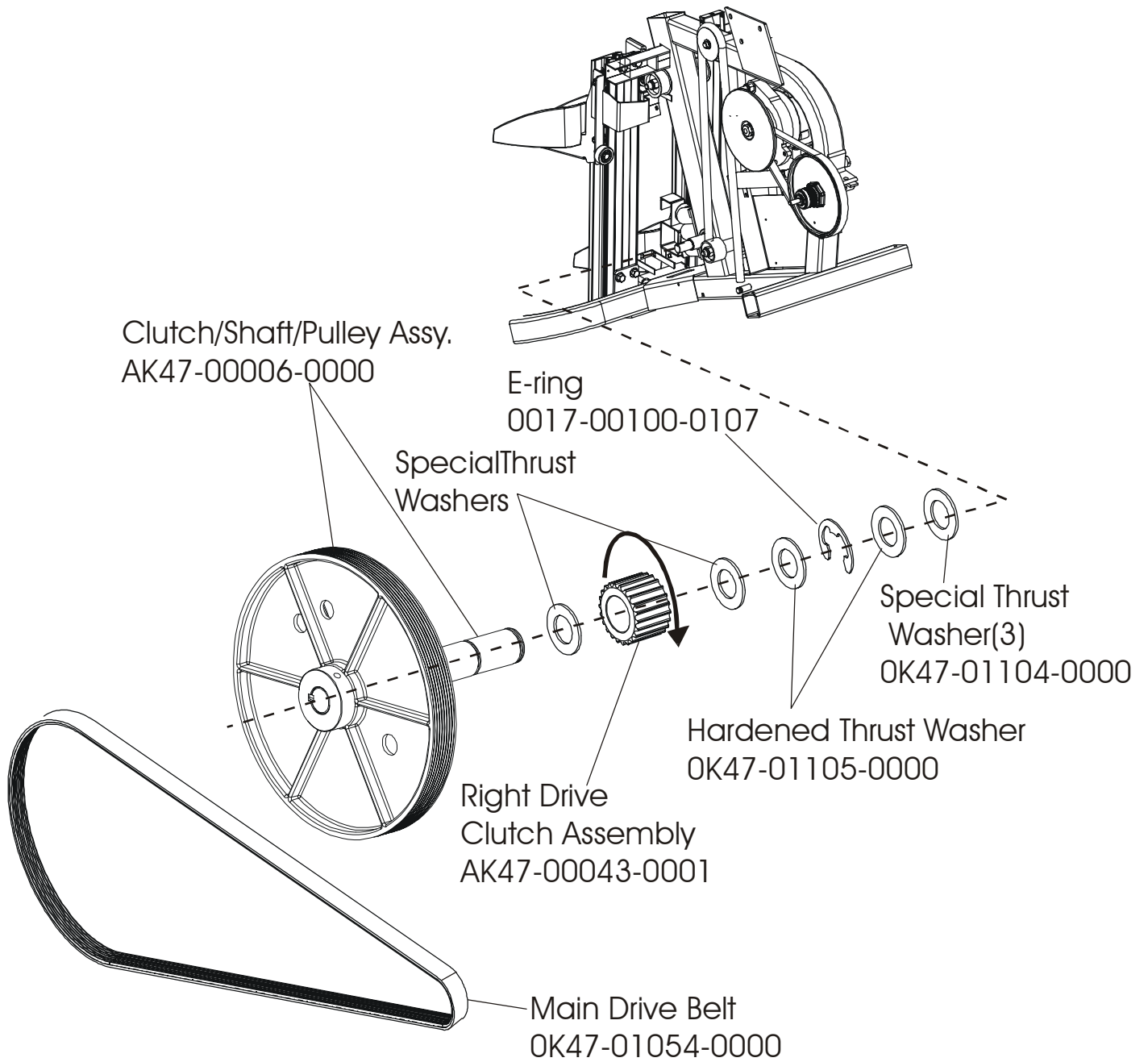
Pedal assembly

93SW-0XXX-02
S/N AWB100000 and UP



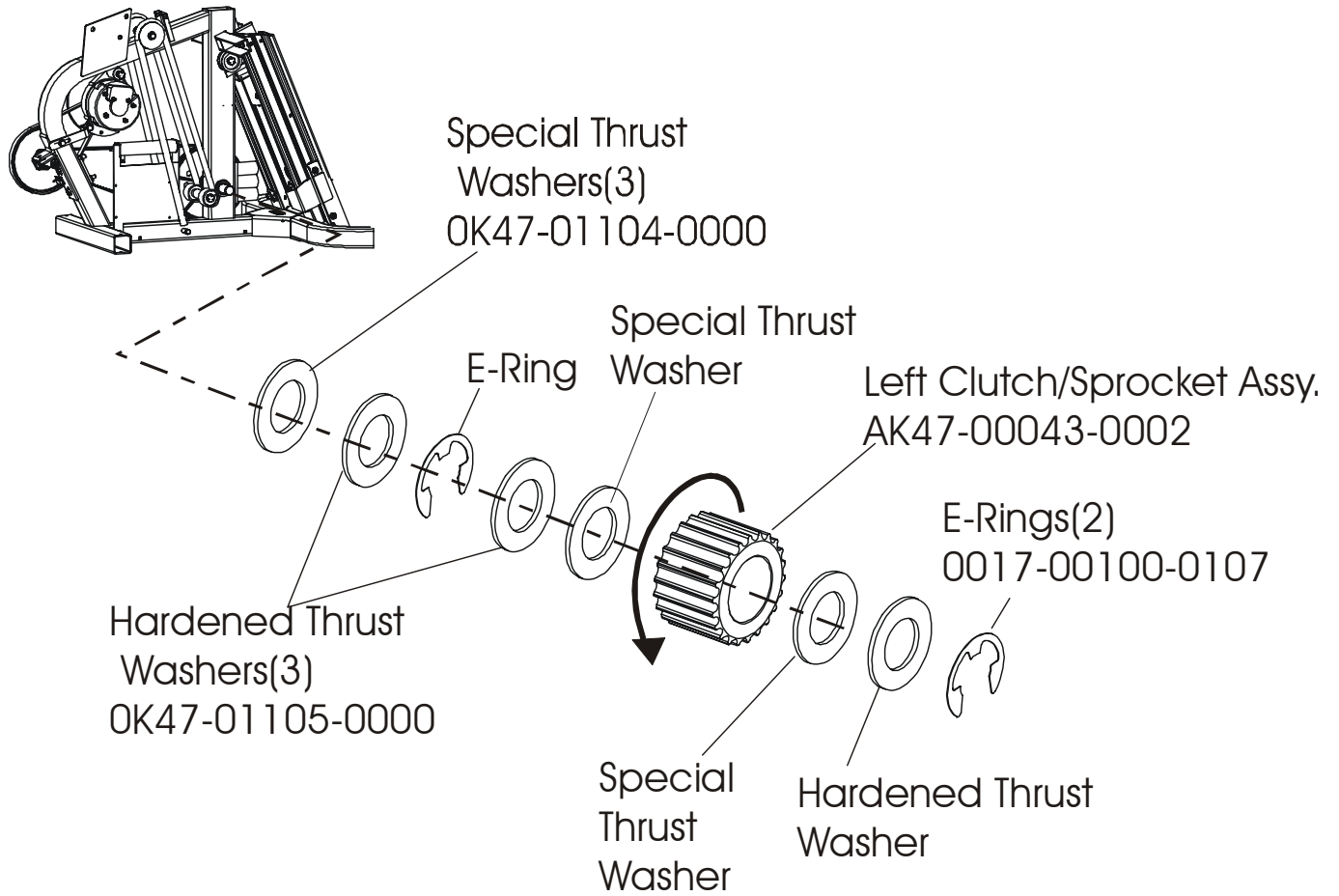
ARCTIC SILVER 93SW
Clutch/Shaft/Pulley Assembly

93SW-0XXX-02
S/N AWB100000 and UP



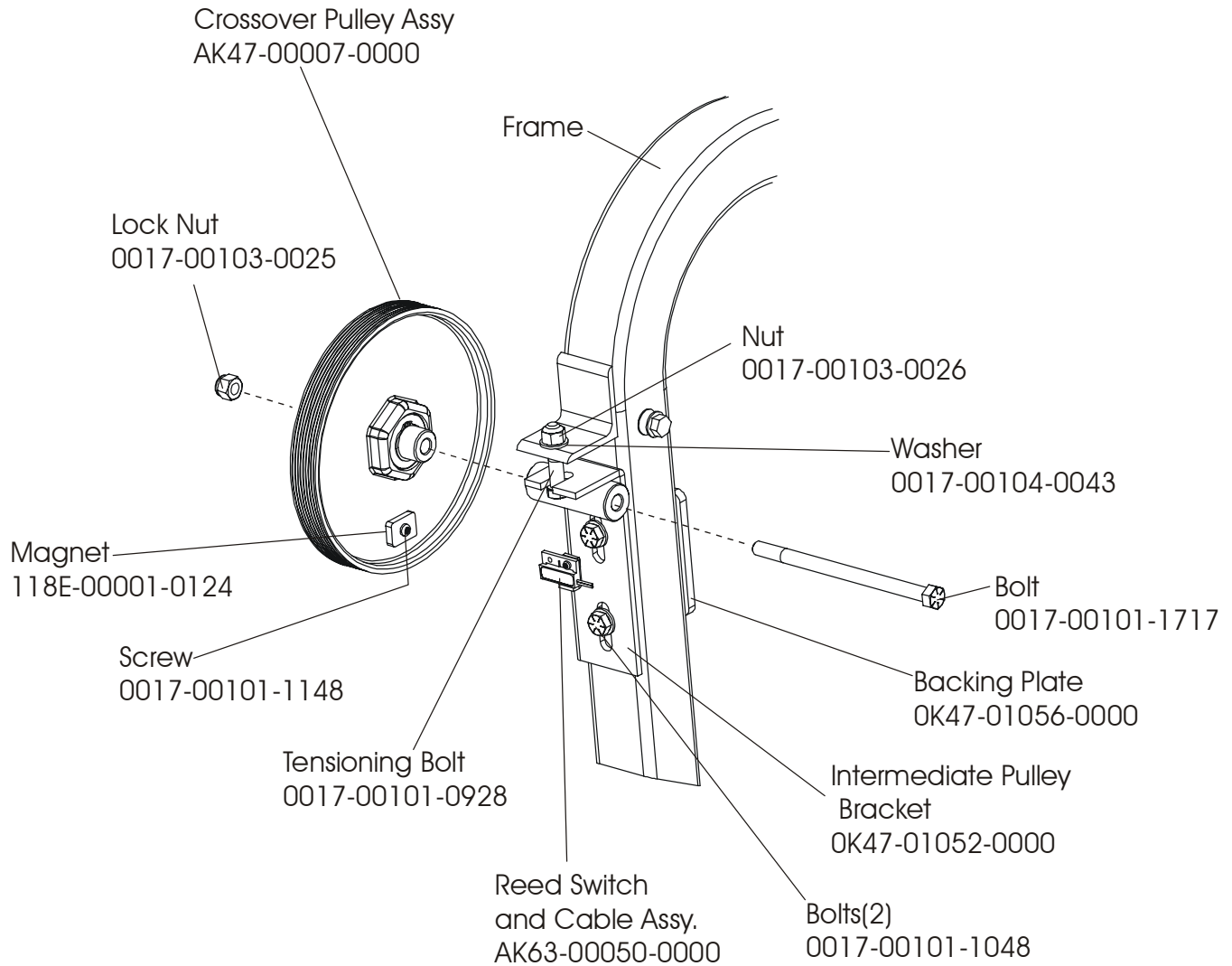
ARCTIC SILVER 93SW
Left Clutch Assembly

93SW-0XXX-02
S/N AWB100000 and UP



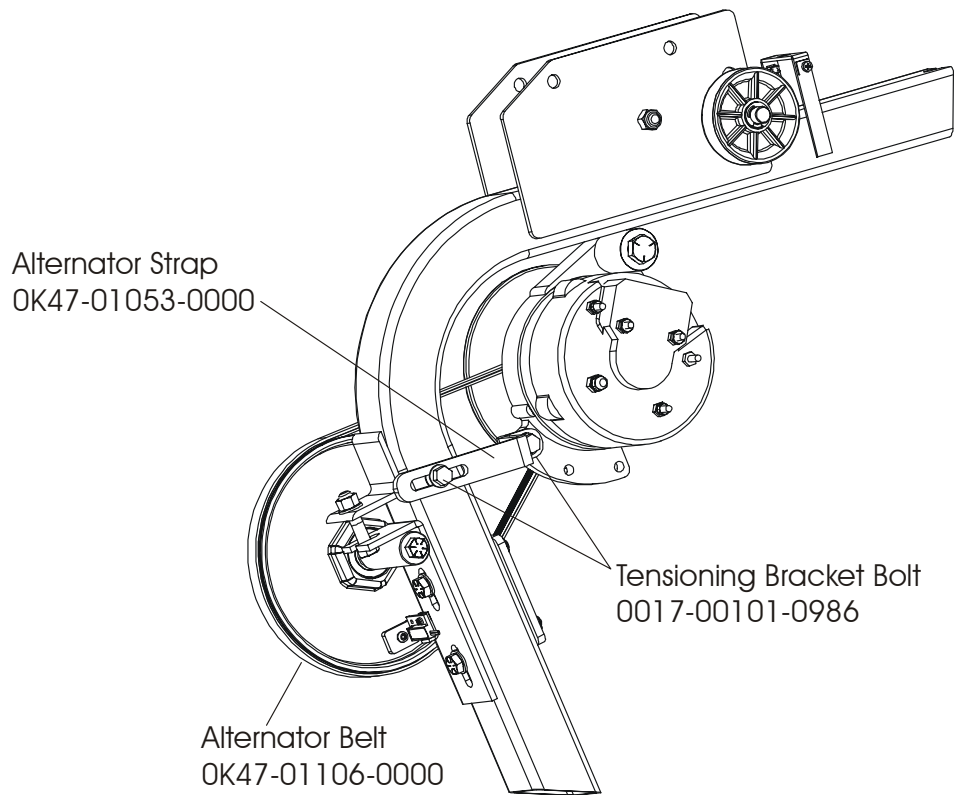
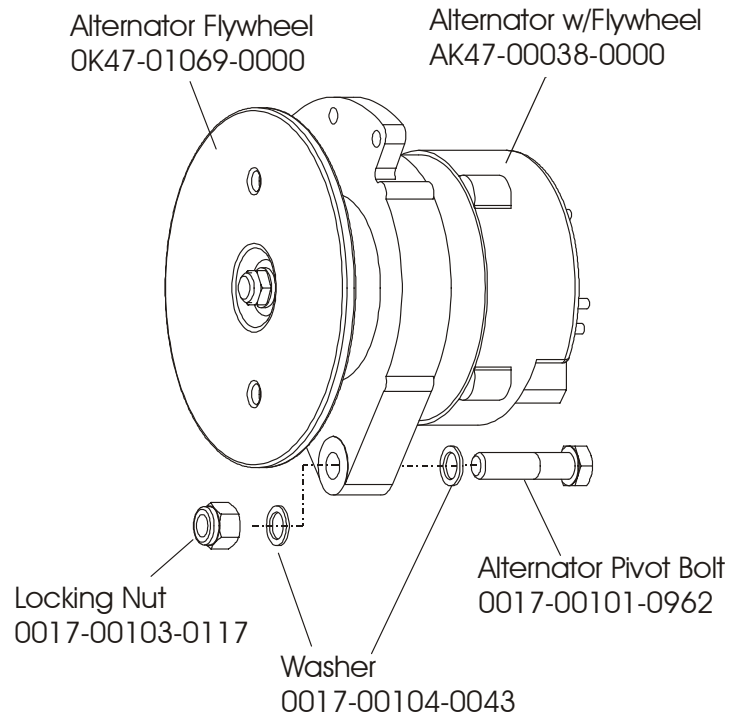
ARCTIC SILVER 93SW
Crossover Pulley Assembly

93SW-0XXX-02
S/N AWB100000 and UP



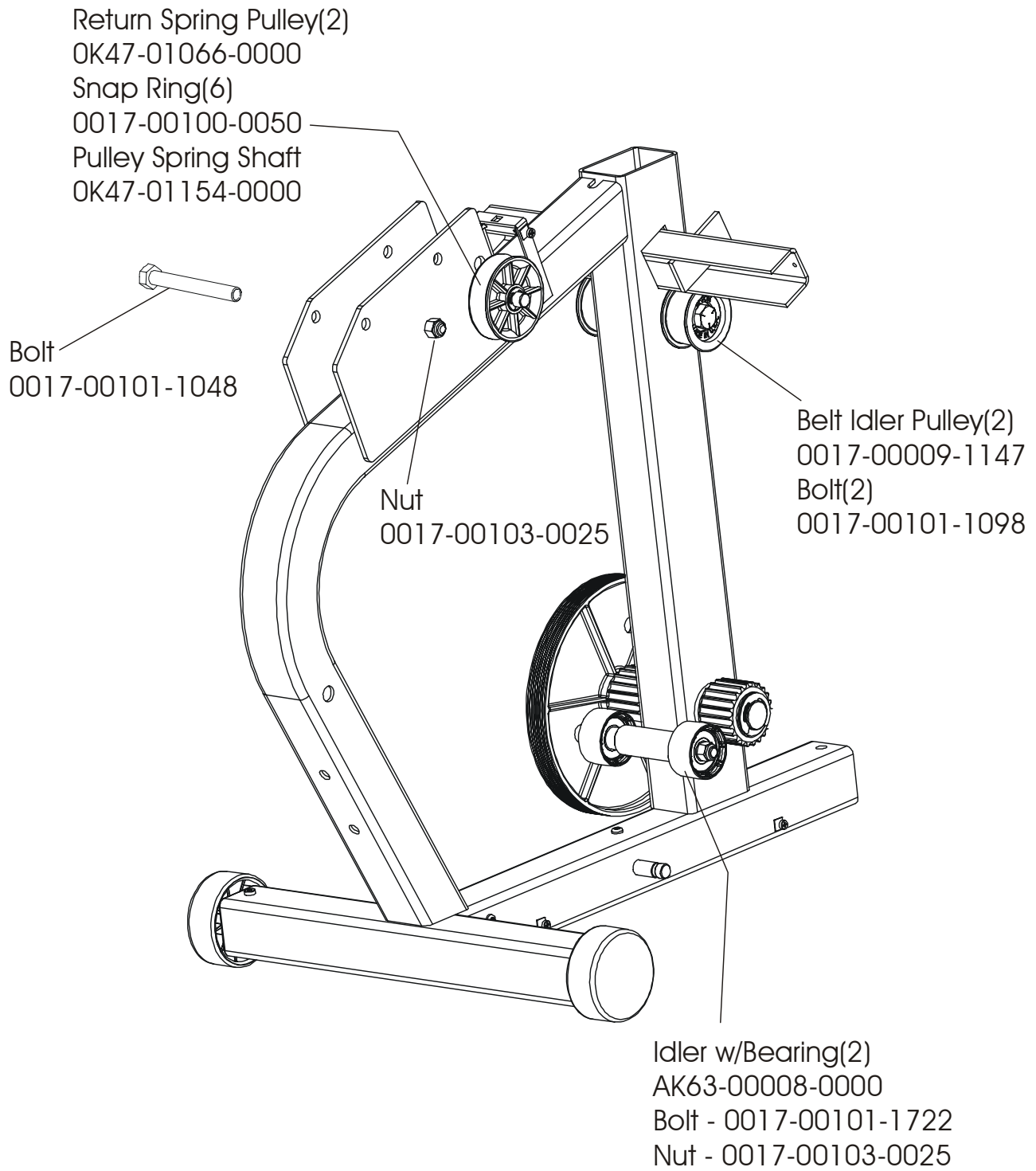
ARCTIC SILVER 93SW
Alternator Assembly

93SW-0XXX-02
S/N AWB100000 and UP



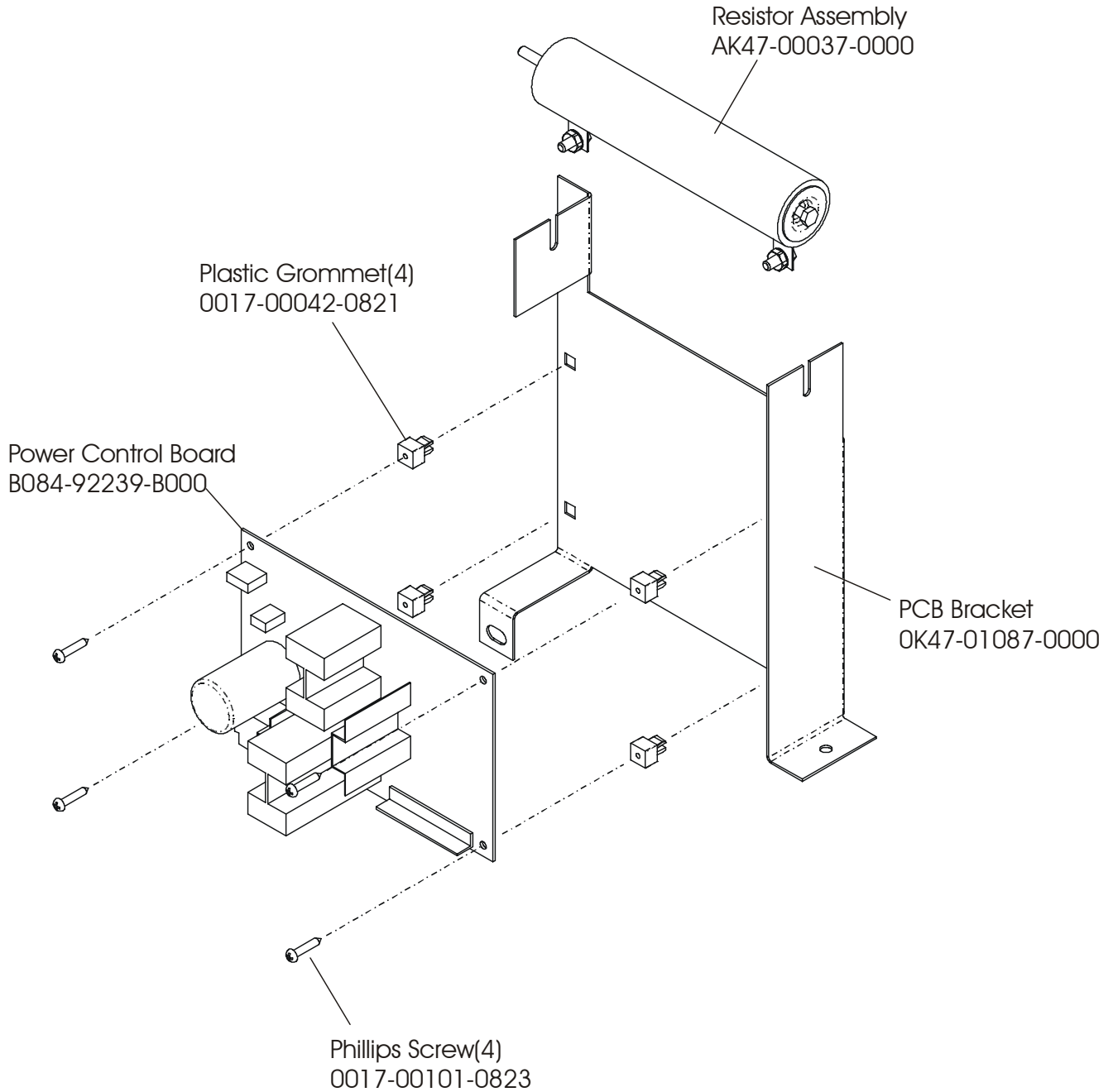
ARCTIC SILVER 93SW
Guide Rollers

93SW-0XXX-02
S/N AWB100000 and UP



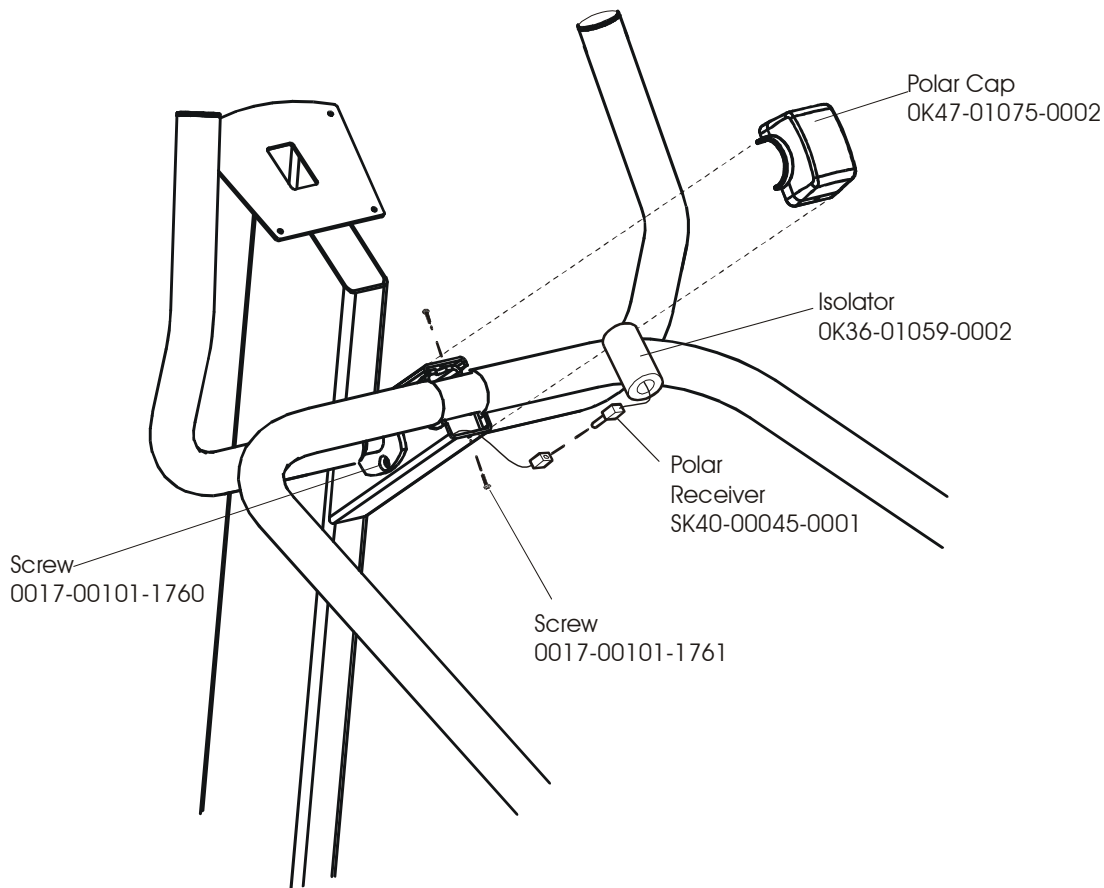
ARCTIC SILVER 93SW
Power Control Board & Resistor

93SW-0XXX-02
S/N AWB100000 and UP



ARCTIC SILVER 93SW
Polar Receiver Assembly

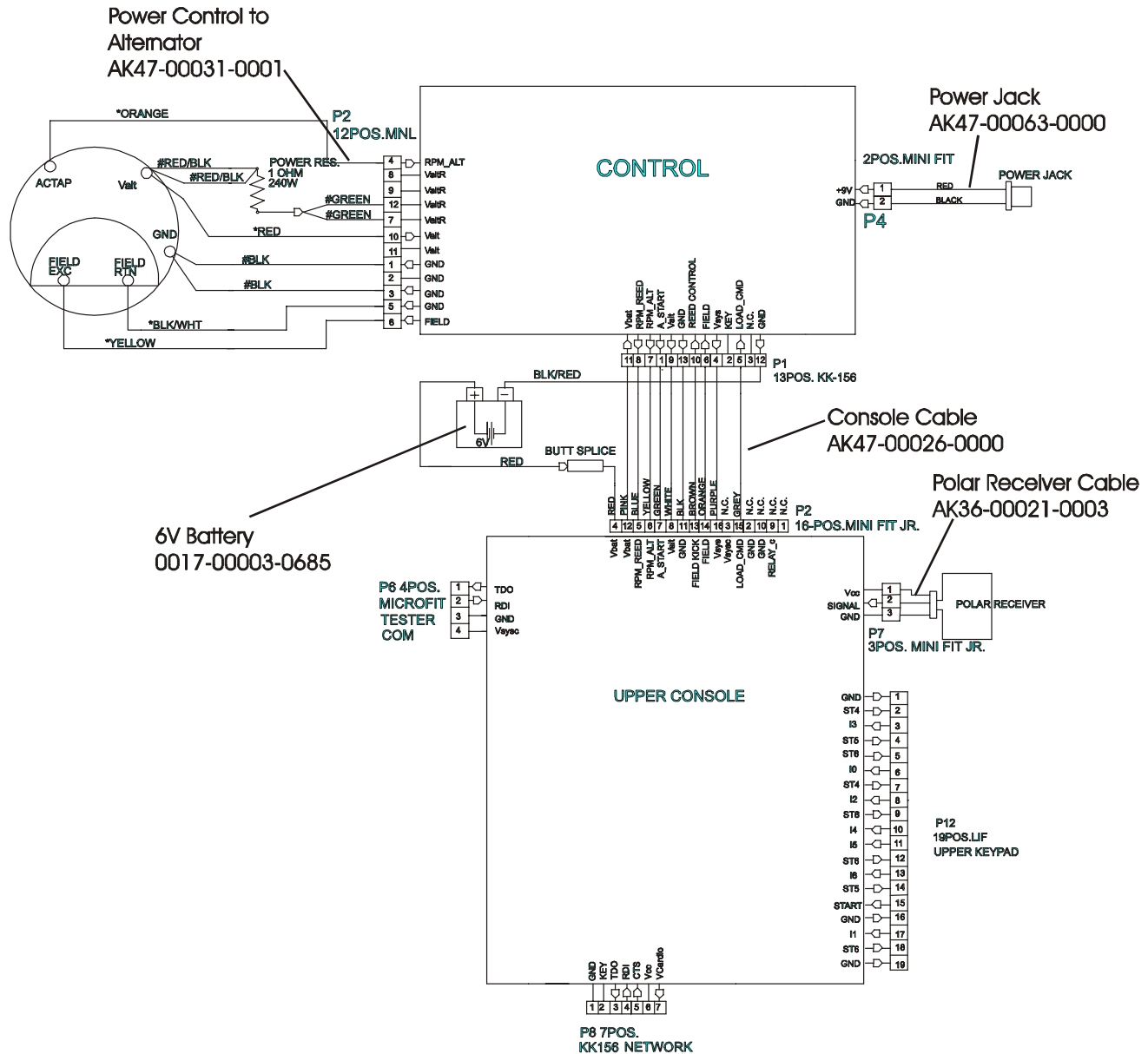
93SW-0XXX-02
S/N AWB100000 and UP



ARCTIC SILVER 93SW

Cables

93SW-0XXX-02
S/N AWB100000 and UP



Description	Part Number
Domestic 120/60 Battery Charge w/Cord	118E-00001-0165
Universal Battery Charger w/o Line Cord	118E-00001-0166
Line Cord 220V/60Hz	0017-00003-0704
Line Cord 100V/50Hz	
Line Cord 240+	0017-00003-0918
Line Cord 220V/50Hz	0017-00003-0691
Line Cord 200V/50Hz	
Line Cord 230V/50Hz	

Free Manuals Download Website

<http://myh66.com>

<http://usermanuals.us>

<http://www.somanuals.com>

<http://www.4manuals.cc>

<http://www.manual-lib.com>

<http://www.404manual.com>

<http://www.luxmanual.com>

<http://aubethermostatmanual.com>

Golf course search by state

<http://golfingnear.com>

Email search by domain

<http://emailbydomain.com>

Auto manuals search

<http://auto.somanuals.com>

TV manuals search

<http://tv.somanuals.com>