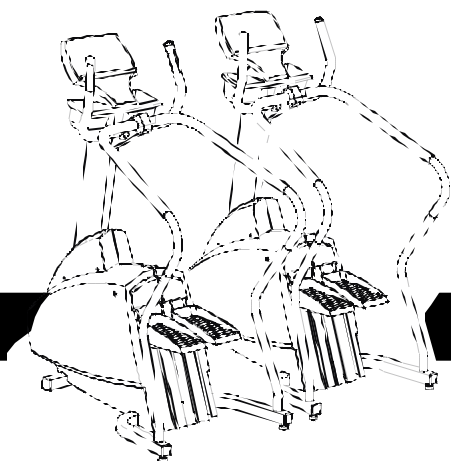




Stairclimber

ASSEMBLY INSTRUCTIONS



Life Fitness

Congratulations...

*and welcome to the world of **Life Fitness***

*and the **Life Fitness 9500HR / 9100 / 8500 Stairclimbers.***

The following Parts Identification Listing and the step by step assembly procedures have been assembled to make the set-up of the Stairclimber as quick and easy as possible.

Please take special note of the following important points prior to choosing a location and beginning assembly of the Stairclimber.

IMPORTANT SAFETY INSTRUCTIONS!

- ⇒ **DO NOT** locate the Stairclimber outdoors, near swimming pools, or in areas of high humidity.
 - ⇒ **DO NOT** operate your Stairclimber if it has been dropped, damaged, or even partially immersed in water. If this occurs, contact Life Fitness Customer Support Services at the number in the Operation Manual.
 - ⇒ **DO NOT** locate the Stairclimber any closer than 30 inches (76 cm) to a television set.
 - ⇒ **DO NOT** locate additional Stairclimber any closer than a minimum of 42 inches (107 cm) from center to center to avoid interference (cross talk) between Heart Rate monitors.
 - ⇒ **DO** keep the area around your Stairclimber clear of any obstructions, including walls and furniture.
 - ⇒ **DO** verify the contents of the delivery carton against the accompanying Parts Listing prior to setting the cartons and shipping material aside. If any parts are missing, contact Life Fitness Customer Support Services at the number listed in the Operation Manual. Save the shipping cartons in case of return.
 - ⇒ **DO** read the entire Operation Manual prior to attempting to operate this machine as this is essential for proper use.
-

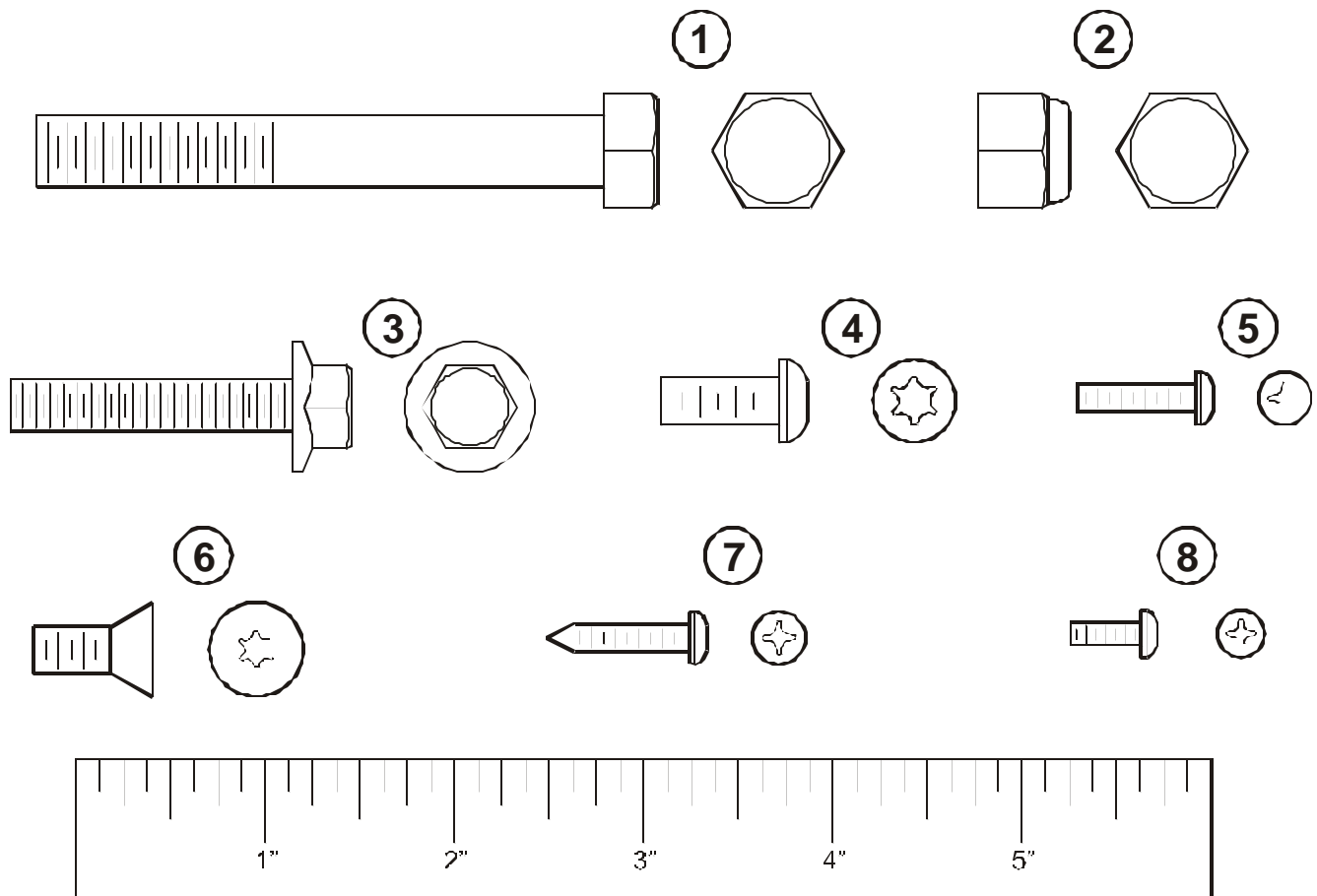
CONSIGNES DE SECURITE IMPORTANTES!

- ⇒ **NE** placez PAS l'appareil à l'extérieur, près d'une piscine ou dans un endroit très humide.
- ⇒ **NE** faites PAS fonctionner l'appareil s'il est tombé, s'il a été endommagé ou s'il a été partiellement plongé dans l'eau. Si cela s'est produit, contactez le service après-vente de Life Fitness au numéro fourni dans le manuel d'utilisation.
- ⇒ **NE** placez PAS l'appareil à moins de 76 cm d'un poste de télévision
- ⇒ **NE** placez PAS d'autres appareils du même type à proximité. Un espace d'au moins 107 cm doit être observé entre les parties centrales de deux appareils afin d'éviter les interférences entre les contrôleurs de rythme cardiaque.
- ⇒ **MAINTENEZ** la zone autour de l'appareil libre de toute obstruction, y compris murs et meubles. Veillez à laisser un dégagement d'au moins 30 cm devant l'appareil.
- ⇒ **VÉRIFIEZ** si l'emballage contient toutes les pièces de la liste jointe avant de le mettre de côté. Si des pièces sont absentes, contactez le service après-vente de Life Fitness au numéro indiqué dans le manuel d'utilisation. Conservez l'emballage au cas où vous devriez renvoyer l'appareil.
- ⇒ **LISEZ** le manuel de l'utilisateur tout entier avant d'essayer de faire fonctionner cet appareil. Ceci est indispensable à son utilisation correcte.

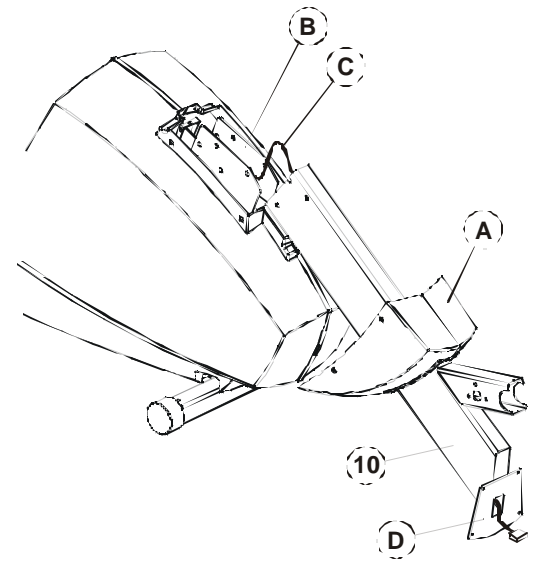
**TOOLS REQUIRED FOR ASSEMBLY... Phillips Screwdriver, Hex Key Wrench, 3/16 Torx
Screwdriver, Socket Set**

PARTS DESCRIPTION

1	Hex Head Bolt	Qty: 2	2	Lock Nut	Qty: 2
3	Hex Head Bolt	Qty: 2	4	Torx Cap Screw	Qty: 4
5	Phillips Cap Screw	Qty: 8	6	Flat Head Screw	Qty: 6
7	Phillips Cap Screw	Qty: 4	8	Phillips Cap Screw	Qty: 2
9	Display Console Assembly	Qty: 1	10	Monocolumn	Qty: 1
11	Accessory Tray	Qty: 1	12	Upright Handrail	Qty: 2
13	Left Bullhorn Handlebar	Qty: 1	14	Right Bullhorn Handlebar	Qty: 1
15	Handlebar Assembly	Qty: 1	16	Polar® Receiver	Qty: 1
17	Telemetry Cable	Qty: 1	18	Heart Rate Cable	Qty: 1
19	Polar Cover	Qty: 1	20	Frame Cap	Qty: 2

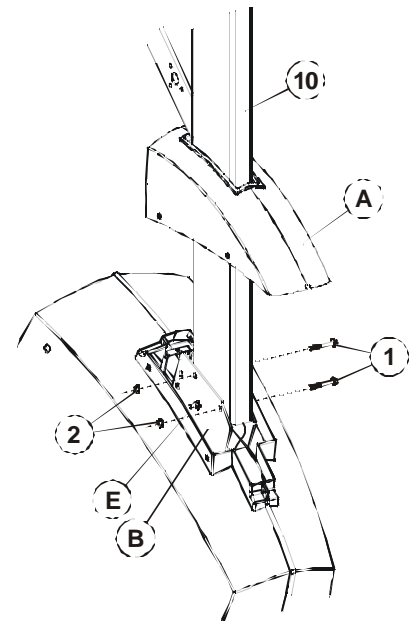


1. Before proceeding, familiarize yourself with the parts of the Stairclimber and make sure that you have received all the items described in the Parts List.

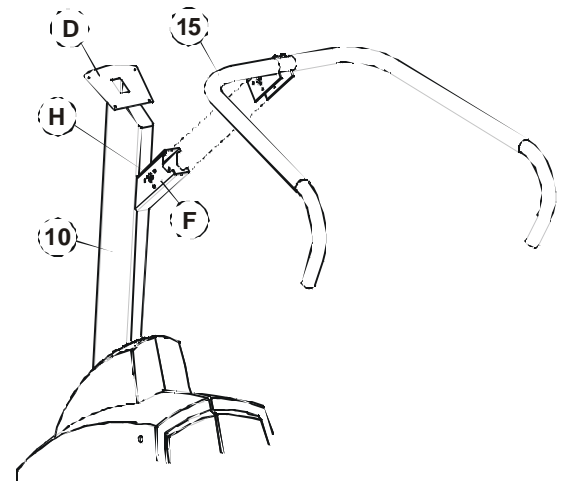


2. Locate the MONOCOLUMN (#10). Position the MONOCOLUMN SHROUD (A) onto the MONOCOLUMN as shown. Position the MONOCOLUMN near the MONOCOLUMN MOUNTING BRACKET (B) as shown. Detach and feed the CONSOLE WIRE HARNESS (C) through the MONOCOLUMN and out through the DISPLAY CONSOLE MOUNTING BRACKET (D) ACCESS HOLE. Pivot the MONOCOLUMN upright and position the locating slot at the bottom of the MONOCOLUMN onto the pre-installed LOCATING BOLT (E) on the MONOCOLUMN MOUNTING BRACKET. Align the mounting holes of the MONOCOLUMN and MONOCILUMN MOUNTING BRACKET and secure them together using two MOUNTING BOLTS (#1) and LOCKNUTS (#2). Tighten the NUTS and BOLTS until snug. Lower the MONOCOLUMN SHROUD until it rests on the MAIN SHROUDS.

CAUTION: BE CAREFUL NOT TO PINCH THE WIRE HARNESS WHEN ASSEMBLING THE MONOCOLUMN (#10) TO THE MONOCOLUMN MOUNTING BRACKET (B).



3. Align and insert the HANDLEBAR ASSEMBLY (#15) into THE HANDLEBAR BRACKET TUBE (F) as shown until the mounting holes in the HANDLEBAR ASSEMBLY align with those of the HANDLEBAR BRACKET TUBE.



4. **(Model 9500HR / 9100)** Locate the TELEMETRY CABLE (#17). Feed the 3-PIN CONNECTOR (3P) end of the cable through the front of the HANDLEBAR ASSEMBLY (#15). The cable must be routed down the HANDLEBAR BRACKET TUBE (F) and back up the top of the MONOCOLUMN (#10). Feed the 3-PIN CONNECTOR through the DISPLAY CONSOLE MOUNTING BRACKET (D) ACCESS HOLE.

(Model 9500HR) Locate the HEART RATE CABLE (#18). In similar fashion, feed the 4-PIN CONNECTOR (4P) end of the cable through the front of the HANDLEBAR ASSEMBLY (#15). The cable must be routed down the HANDLEBAR BRACKET TUBE (F) and back up the top of the MONOCOLUMN (#10). Feed the 4-PIN CONNECTOR through the DISPLAY CONSOLE MOUNTING BRACKET (D) ACCESS HOLE. Pull the LEFT HEART RATE SENSOR CABLE (2PL) (Red/Black) through the LEFT LARGE HOLE (H) of THE HANDLEBAR BRACKET TUBE. Pull the RIGHT HEART RATE SENSOR CABLE (2PR) (Green/White) through the RIGHT LARGE HOLE of THE HANDLEBAR BRACKET TUBE.

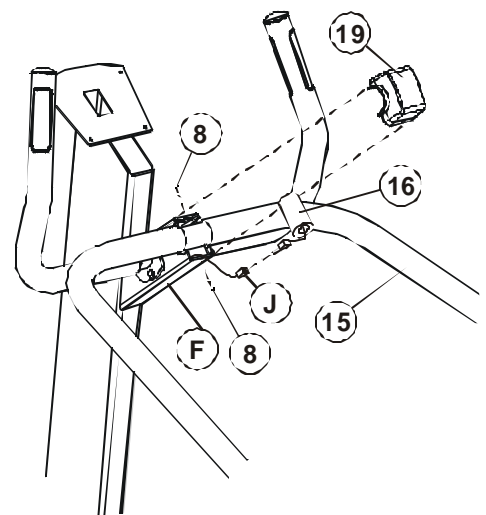
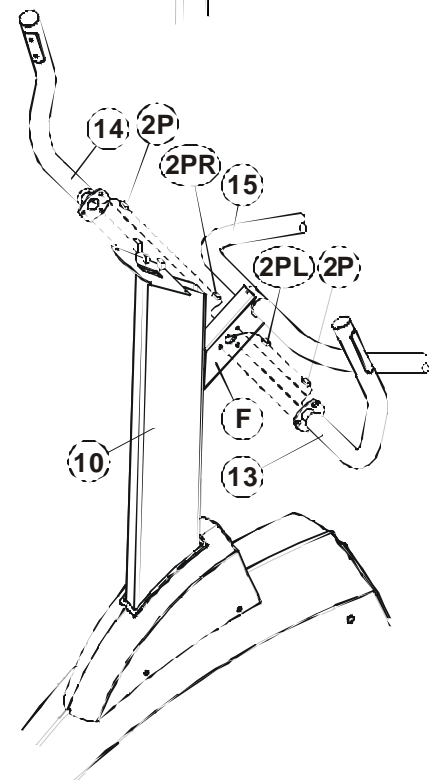
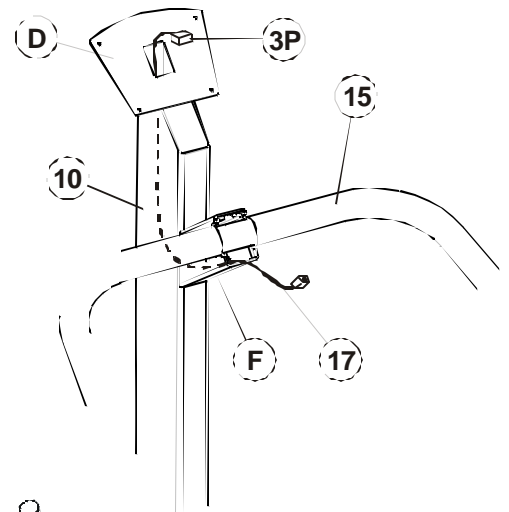
5. **(Model 8500 / 9100)** Align the USER LEFT BULLHORN (#13) to the HANDLEBAR BRACKET TUBE (F). Using three MOUNTING SCREWS (#6), secure the USER LEFT BULLHORN to the HANDLEBAR BRACKET TUBE and the HANDLEBAR (#15). Tighten the SCREWS securely. Repeat the procedure for the USER RIGHT BULLHORN (#14).

(Model 9500HR) Locate the USER LEFT BULLHORN (#13) with a Lifepulse sensor. Connect the 2-PIN CONNECTOR (2P) leading from the USER LEFT BULLHORN to the 2-PIN CONNECTOR (2PL) now leading from the HANDLEBAR BRACKET TUBE (F). Carefully feed any excess HEART RATE CABLE (#18) into the HANDLEBAR BRACKET TUBE and secure the USER LEFT BULLHORN to the HANDLEBAR BRACKET TUBE using three MOUNTING SCREWS (#6). Tighten the SCREWS securely. Repeat the procedure for the USER RIGHT BULLHORN (#14) with a Lifepulse sensor.

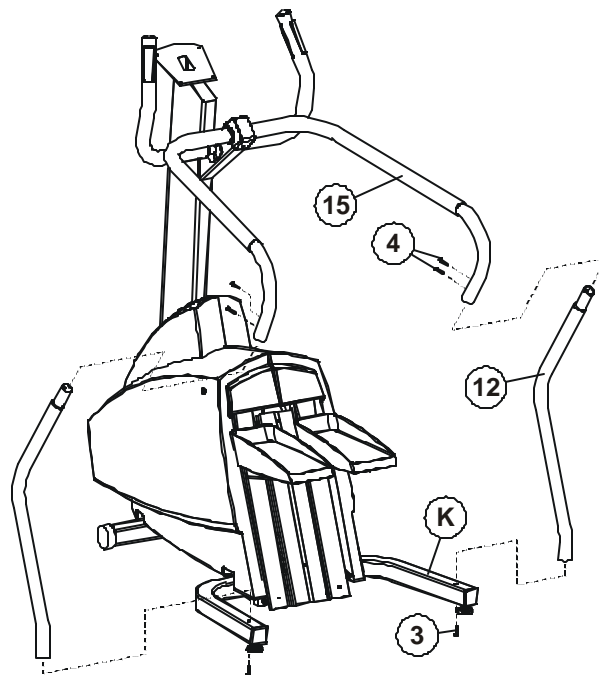
6. Locate the POLAR RECEIVER ASSEMBLY (#16). Plug the POLAR RECEIVER ASSEMBLY into the POLAR RECEIVER JACK (J). Place the POLAR RECEIVER in a vertical position, POLAR RECEIVER JACK facing downward, at the front of the HANDLEBAR BRACKET TUBE (F). Position the POLAR COVER (#19) over the center of the HANDLEBAR ASSEMBLY (#15) at the HANDLEBAR BRACKET TUBE. Making sure the POLAR COVER is oriented properly, slide the POLAR COVER over the HANDLEBAR ASSEMBLY covering the POLAR RECEIVER ASSEMBLY and the end of the HANDLEBAR BRACKET TUBE. The POLAR COVER should fully nest over the HANDLEBAR ASSEMBLY. Secure the POLAR COVER using two MOUNTING SCREWS (#8).

CAUTION: DO NOT OVER-TIGHTEN THE PHILLIPS PAN HEAD SCREWS (#8).

MISE EN GARDE : NE SERREZ PAS EXCESSIVEMENT LES VIS CRUCIFORMES À TÊTE CYLINDRIQUE (N° 8).



7. Locate the one of the UPRIGHT HANDRAILS (#12). Carefully insert the top of the UPRIGHT HANDRAIL into the user right end of the HANDLEBAR ASSEMBLY (#15). Align the mounting holes. Secure the UPRIGHT HANDRAIL to the HANDLEBAR ASSEMBLY using two MOUNTING SCREWS (#4). Position the bottom of the UPRIGHT HANDRAIL over the mounting hole in the top of the right FRAME LEG (K). Using one HEX HEAD BOLT (#?), mount the UPRIGHT HANDRAIL to the right FRAME LEG as shown. Tighten the BOLT securely. Repeat the procedure for the remaining UPRIGHT HANDRAIL (#12) on the left side of the HANDLEBAR ASSEMBLY and FRAME.
8. Lift the MONOCOLUMN SHROUD (A) and tighten the MONOCOLUMN BOLTS (#1) securely.
9. (**Model 9500HR, 9100**) Using four MOUNTING SCREWS (#5), attach the ACCESSORY TRAY (#11) to the DISPLAY CONSOLE (#9) as shown.
10. Attach all CABLES (L) leading from the DISPLAY CONSOLE MOUNTING BRACKET (D) ACCESS HOLE to the back of the DISPLAY CONSOLE (#9).
11. Feed any excess cable into the MONOCOLUMN (#10). Using four MOUNTING SCREWS (#5), secure the DISPLAY CONSOLE (#9?) to the DISPLAY CONSOLE MOUNTING BRACKET (D).

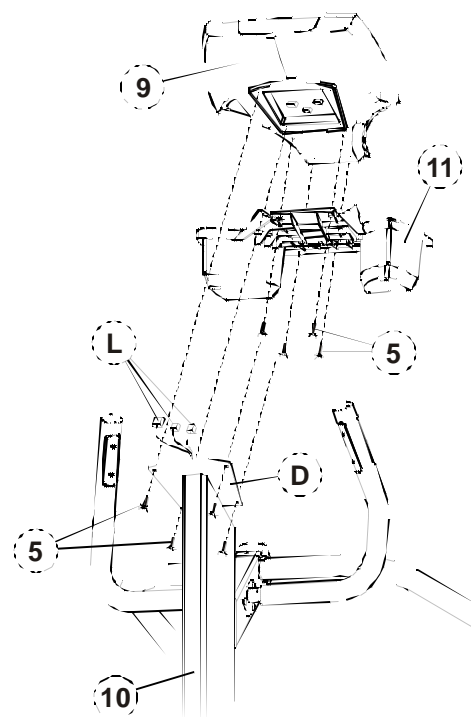


CAUTION: DO NOT OVER-TIGHTEN THE PHILLIPS HEAD PAN SCREWS (#5).

CAUTION: BE CAREFUL NOT TO PINCH THE WIRE HARNESS (E) WHEN ASSEMBLING THE CONSOLE ASSEMBLY (#9) TO THE DISPLAY CONSOLE MOUNTING BRACKET (D).

MISE EN GARDE : NE SERREZ PAS TROP LES VIS CRUCIFORMES À TÊTE CYLINDRIQUE (N° 5).

MISE EN GARDE : VEILLES À NE PAS Pincer LE FAISCEAU DE CÂBLES (E) LORS DU MONTAGE DE LA CONSOLE (N° 9) SUR SON SUPPORT (D).

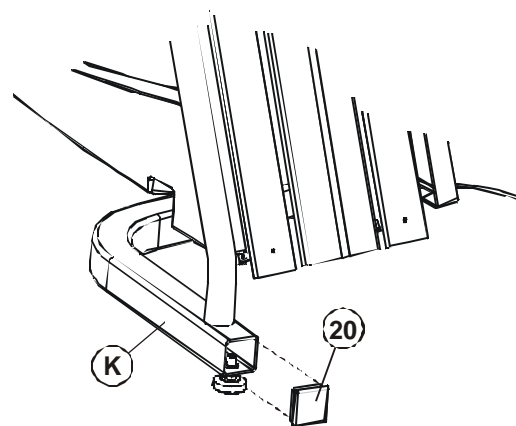


12. Secure the MONOCOLUMN SHROUD (A) to the MAIN SHROUD using four MOUNTING SCREWS (#7).

CAUTION: DO NOT OVER-TIGHTEN THE PHILLIPS HEAD PAN SCREWS (#7).

MISE EN GARDE : NE SERREZ PAS TROP LES VIS CRUCIFORMES À TÊTE CYLINDRIQUE (N° 7).

13. Insert the FRAME CAPS (#20) into the ends of the FRAME LEGS (K).



PRE-OPERATION CHECKLIST

- ✓ **Ensure that all fasteners are tight.**
 - ✓ **Make sure the Stairclimber is properly leveled and stable.**
(Refer to the Operation Manual)
 - ✓ **Ensure that the Leveler Jam Nuts are tight.**
(Refer to the Operation Manual)
 - ✓ **Read the entire Operation manual before using the Stairclimber.**
-

LISTE DES VÉRIFICATIONS À EFFECTUER AVANT LA MISE EN MARCHÉ

- ✓ **Vérifiez si tous les dispositifs de fixation sont serrés**
 - ✓ **Vérifiez si l'APPAREIL D'EXERCICE POLYVALENT est de niveau et stable.**
(Référez-vous au manuel d'utilisation.)
 - ✓ **Vérifiez si les contre-écrous des vérins de mise à niveau sont serrés.**
(Référez-vous au manuel d'utilisation.)
 - ✓ **Lisez le manuel d'utilisation dans son intégralité avant d'utiliser l'appareil d'exercice polyvalent.**
-

Before attempting to operate your Stairclimber, it is imperative that you familiarize yourself with the contents of the Operation Manual. If your Stairclimber does not respond as described in the OPERATION MANUAL, contact the nearest Life Fitness service center as listed in the Operation Manual.

The logo for Life Fitness, featuring the words "Life Fitness" in a stylized, cursive script font. The "L" is large and prominent, and the "Fitness" part is written in a similar but slightly smaller font.

Polar is a registered trademark of Polar Electro, Inc.

M051-00K20-A307

4/02

Free Manuals Download Website

<http://myh66.com>

<http://usermanuals.us>

<http://www.somanuals.com>

<http://www.4manuals.cc>

<http://www.manual-lib.com>

<http://www.404manual.com>

<http://www.luxmanual.com>

<http://aubethermostatmanual.com>

Golf course search by state

<http://golfingnear.com>

Email search by domain

<http://emailbydomain.com>

Auto manuals search

<http://auto.somanuals.com>

TV manuals search

<http://tv.somanuals.com>