

# Life Fitness Model 5500HR Cross-Trainer Service Kit Instruction (GK61-00002-0006)

## How To... Replace the Pedal Lever Assembly

Tools required: Phillip screwdriver, Allen wrench set, 3/8" Socket set, and Standard wrench set

### Step 1

Unplug the unit at the electrical outlet.

### Step 2

Remove the six(6) screws from the OUTER LINK COVER and remove.

### Step 3

Remove the TIE ROD.

### Step 4

Remove the ANTI-LIFT BRACKET and lower the PEDAL LEVER ASSEMBLY.

### Step 5

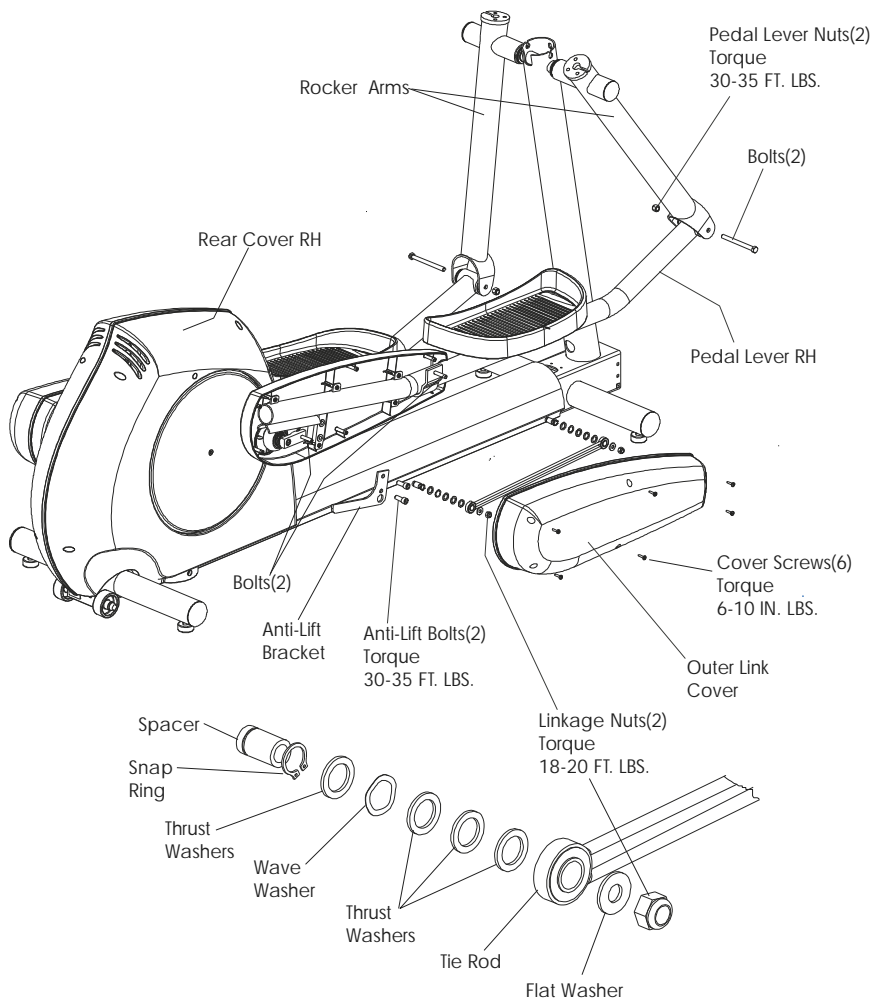
Remove the nut and bolt securing the pedal lever to the ROCKER ARM, and remove the pedal lever.

### Step 6

Remove the inner link cover screws(4) and remove the inner link cover.

### Step 7

Install new pedal lever in reverse order making sure that each pedal lever roller guide is centered over the roller before tightening the mounting bolt. Loosen the pedal lever so that it is centered on the roller, then tighten the mounting bolt from 30-35 ft lbs.



## Free Manuals Download Website

<http://myh66.com>

<http://usermanuals.us>

<http://www.somanuals.com>

<http://www.4manuals.cc>

<http://www.manual-lib.com>

<http://www.404manual.com>

<http://www.luxmanual.com>

<http://aubethermostatmanual.com>

Golf course search by state

<http://golfingnear.com>

Email search by domain

<http://emailbydomain.com>

Auto manuals search

<http://auto.somanuals.com>

TV manuals search

<http://tv.somanuals.com>