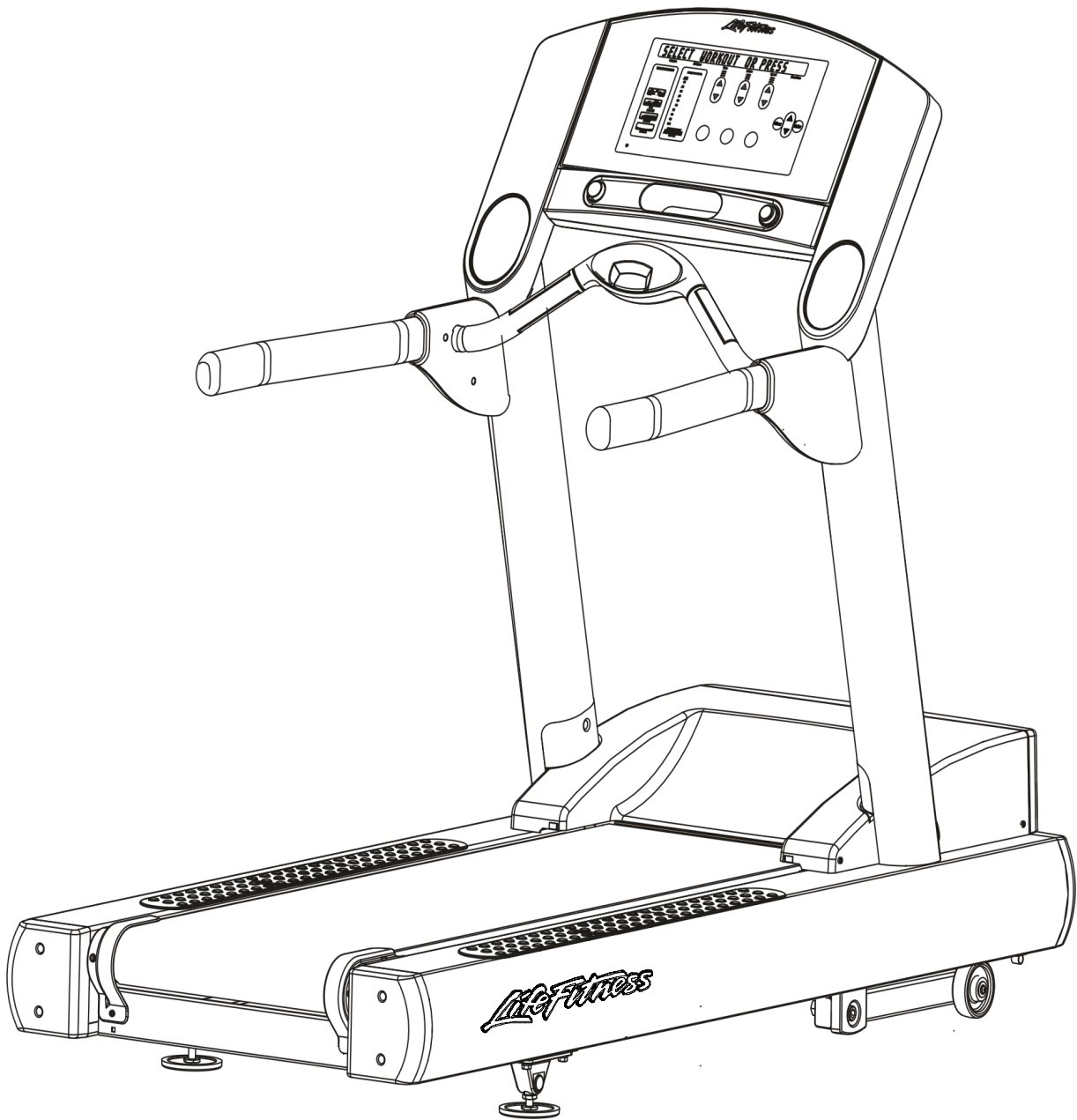


Life Fitness

Arctic Silver 93TW ROHR Treadmill



Customer Support Services **PARTS MANUAL** rev. 10/28/05

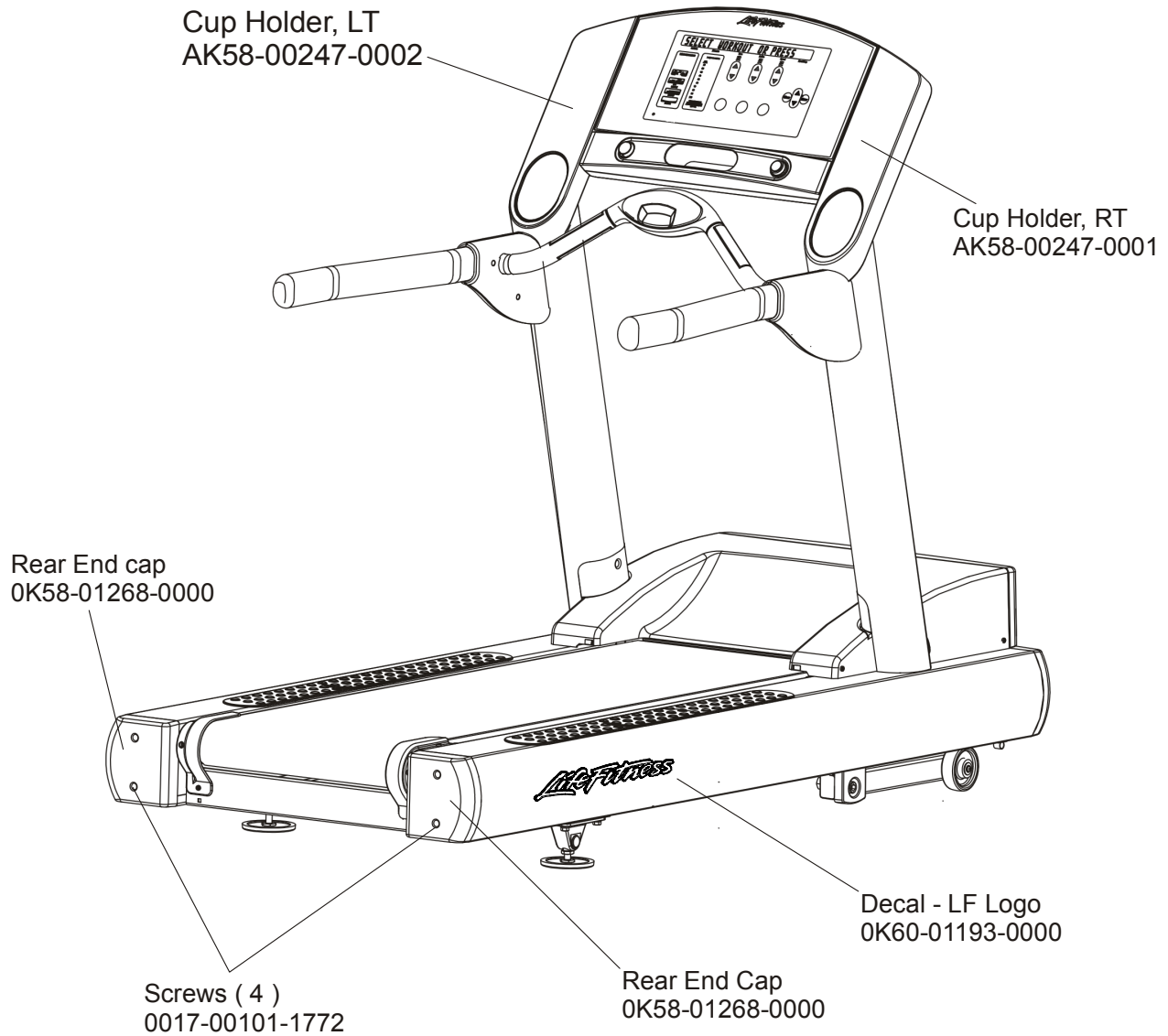
OPERATION MANUAL	M051-00K58-A215
SERVICE MANUAL	M051-00K58-A159
HARDWARE BAG	AK58-00227-0000
ACCESS-PLATE ASSY. ASSEMBLY INCLUDES: 1) CONNECTOR PLATE 2) F TYPE CONNECTOR	AK58-00329-0000 0K58-01392-0000 0017-00021-2846
TOUCH UP PAINT: SPRAY CAN .5 OZ BOTTLE W/APPLICATOR .33 OZ PEN	0017-00008-0204 0017-00008-0205 0017-00008-0206
INSTALLATION VIDEO	M051-00K58-A098
SERVICE VIDEO	M051-00K58-A099
OPERATION MANUAL	M051-00K58-A215

**NOTE: ADDING THE BOLT-ON LCD SCREEN TO THE
93TW-XXXX-04 MAKES THE UNIT A 93TER-XXXX-04**

	Page
REAR ENDCAPS AND CUP HOLDERS	4
SCUFF PAD, TINSEL AND FRAME TAG BOARD	5
CONSOLE AND RELATED COMPONENTS.....	6
UPRIGHTS, HAND RAILS AND ERGO BAR	7
ERGO BAR WITH LIFE PULSE.....	8
MOTOR COVER, FRONT COVER AND ENDCAPS	9
BELT, DECK AND REAR ROLLER.....	10
LIFT FRAME AND MOTOR	11
WAX/LIFT ASSEMBLY	12
MOTOR CONTROLLER ASSEMBLY.....	13
DRIVE MOTOR ASSEMBLY	14
IDLER ARM ASSEMBLY AND STATIC BRUSH.....	15
LEG LEVELER ASSEMBLY	16
FRONT ROLLER ASSEMBLY.....	17
POWER COMPONENTS SCHEMATIC 1	18
POWER COMPONENTS SCHEMATIC 2	19
CABLES.....	20

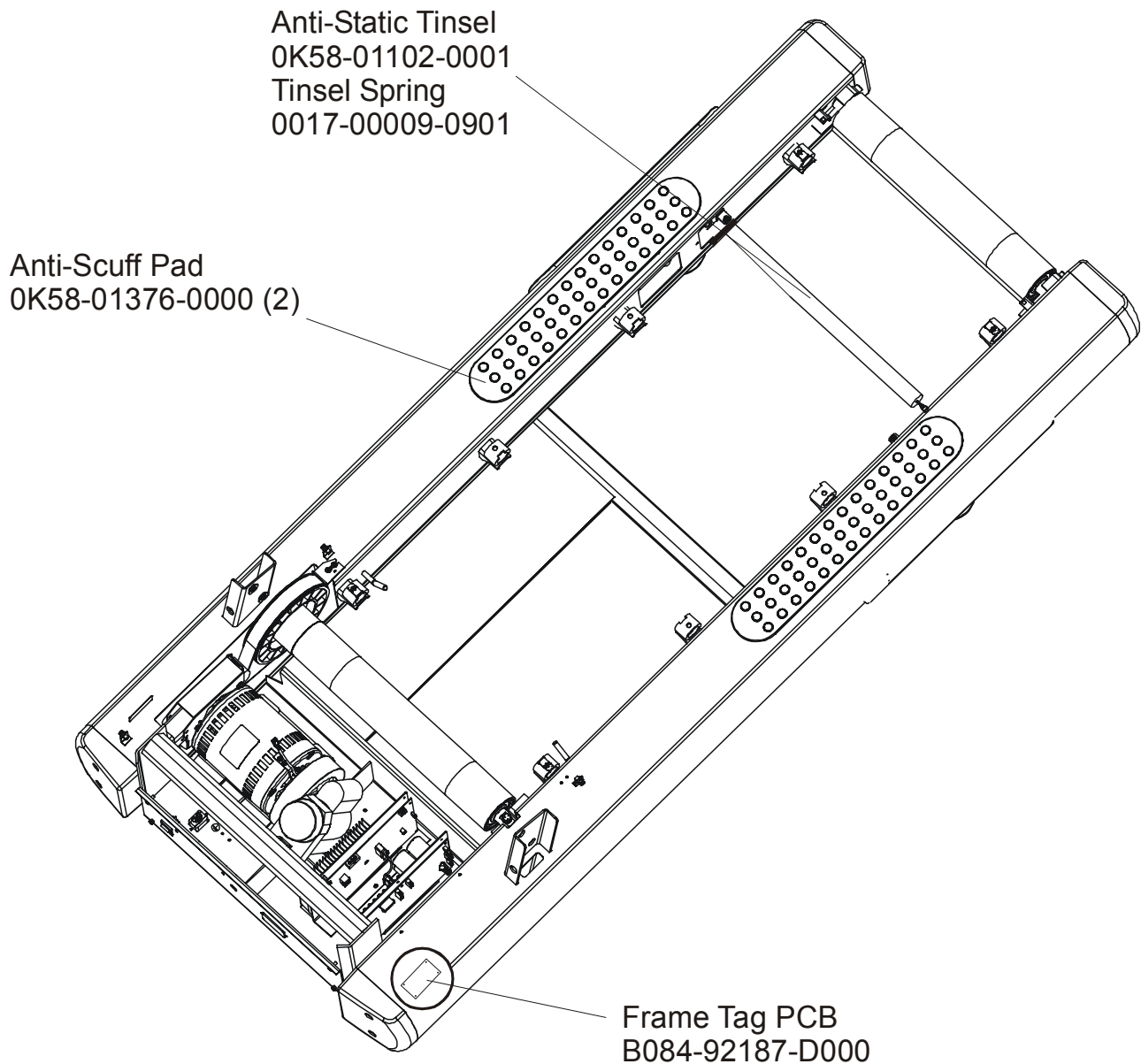
ARCTIC SILVER 93TW ROHR
Rear End Caps and Cup Holders

93TW-0XXX-04
S/N THJ100000 and up



ARCTIC SILVER 93TW ROHR
Scuff Pad, Tinsel and Frame Tag Bd.

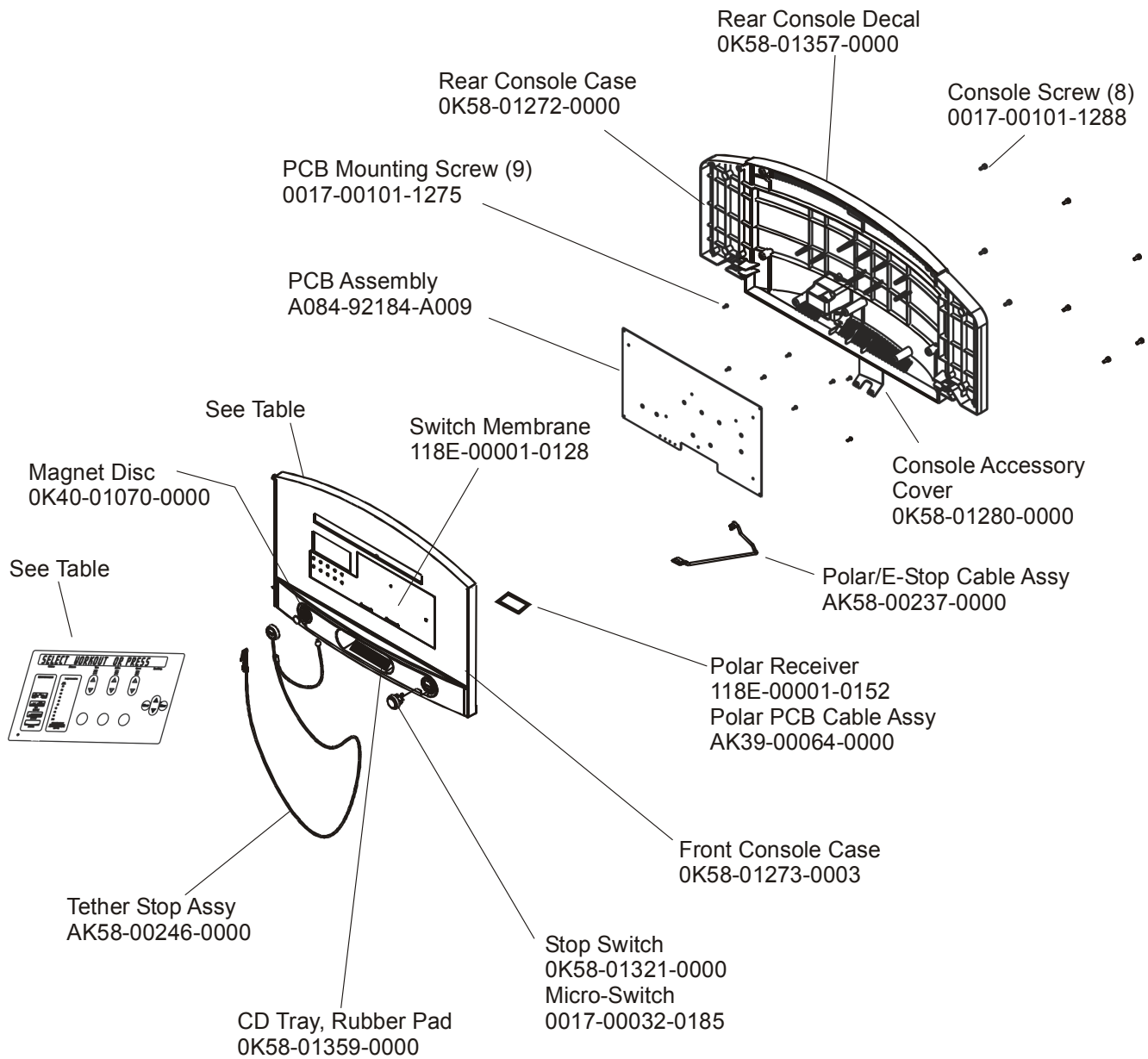
93TW-0XXX-04
S/N THJ100000 and up



ARCTIC SILVER 93TW ROHR

Console and Related Components

93TW-0XXX-04
S/N THJ100000 and up

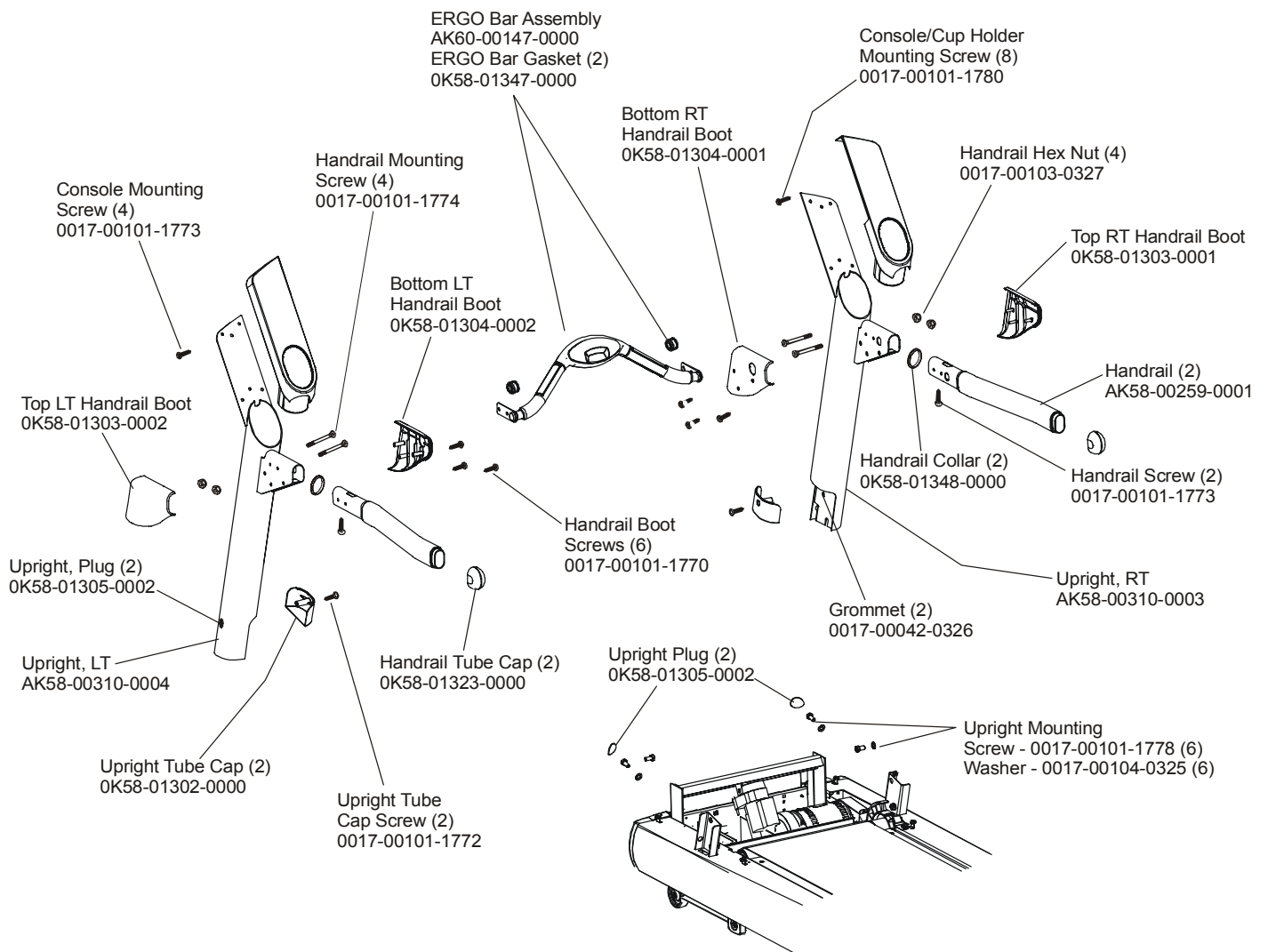


Console Assembly	Overlay/Bezel/Switch Assy.	Language
AK58-00481-0001	AK58-00526-0001	Eng/Eng
AK58-00481-0002	AK58-00526-0001	Eng/Met
AK58-00481-0004	AK58-00526-0004	Spanish
AK58-00481-0007	AK58-00526-0007	French

ARCTIC SILVER 93TW ROHR

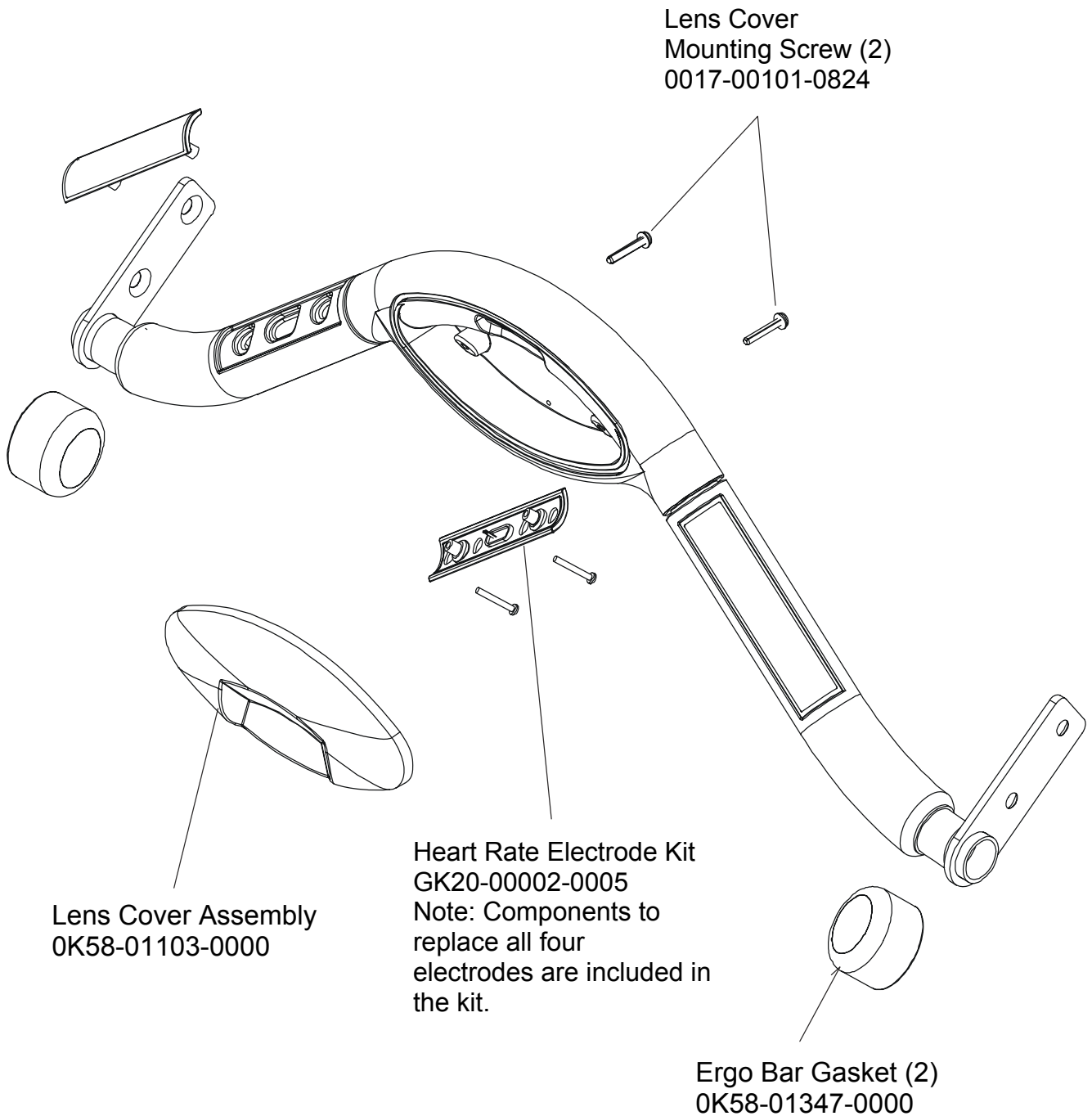
Uprights, Handrails and Ergo Bar

93TW-0XXX-04
S/N THJ100000 and up



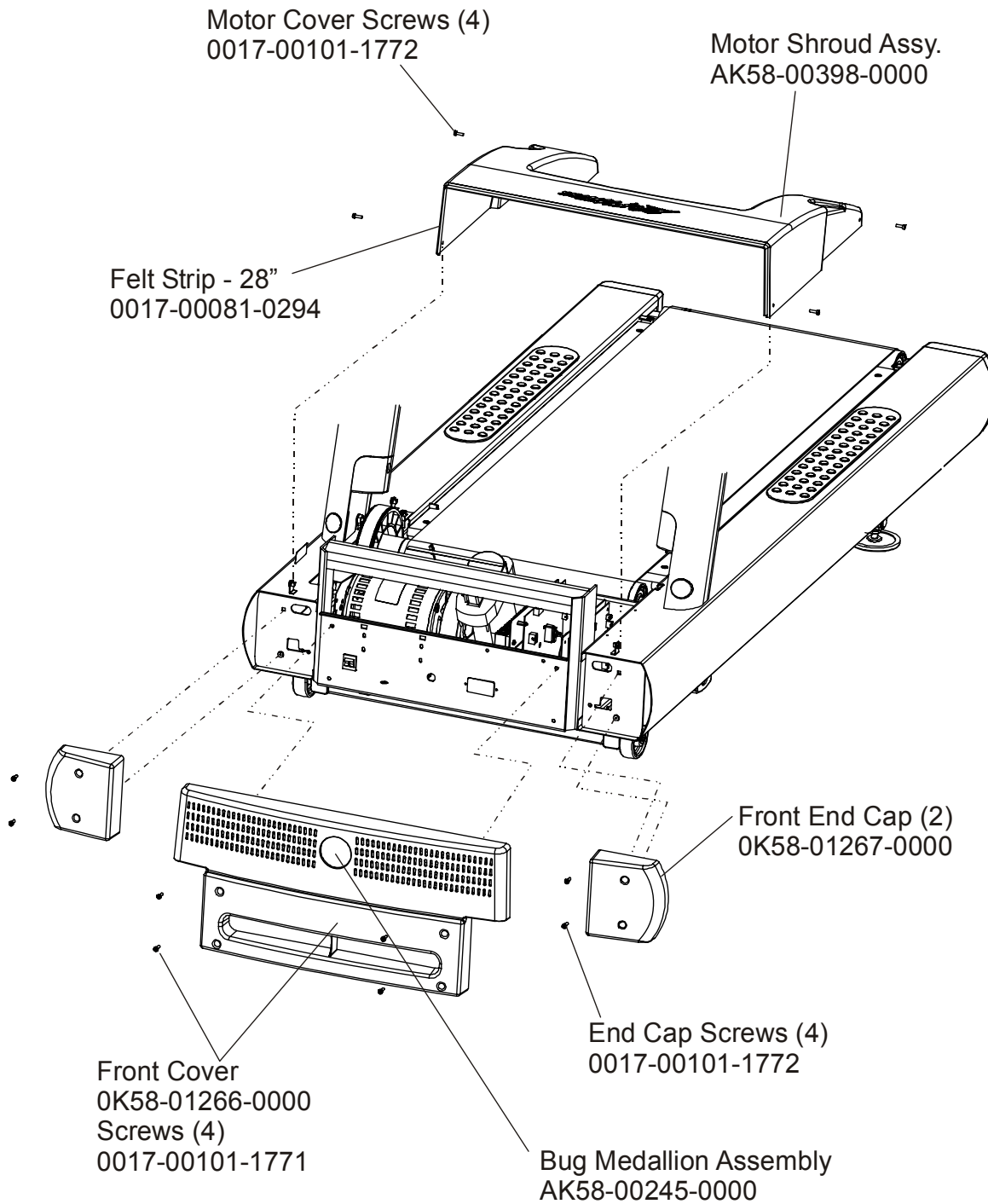
ARCTIC SILVER 93TW ROHR
Ergo Bar W/Lifepulse

93TW-0XXX-04
S/N THJ100000 and up



ARCTIC SILVER 93TW ROHR
Motor Cover, Front Cover and Front End Caps

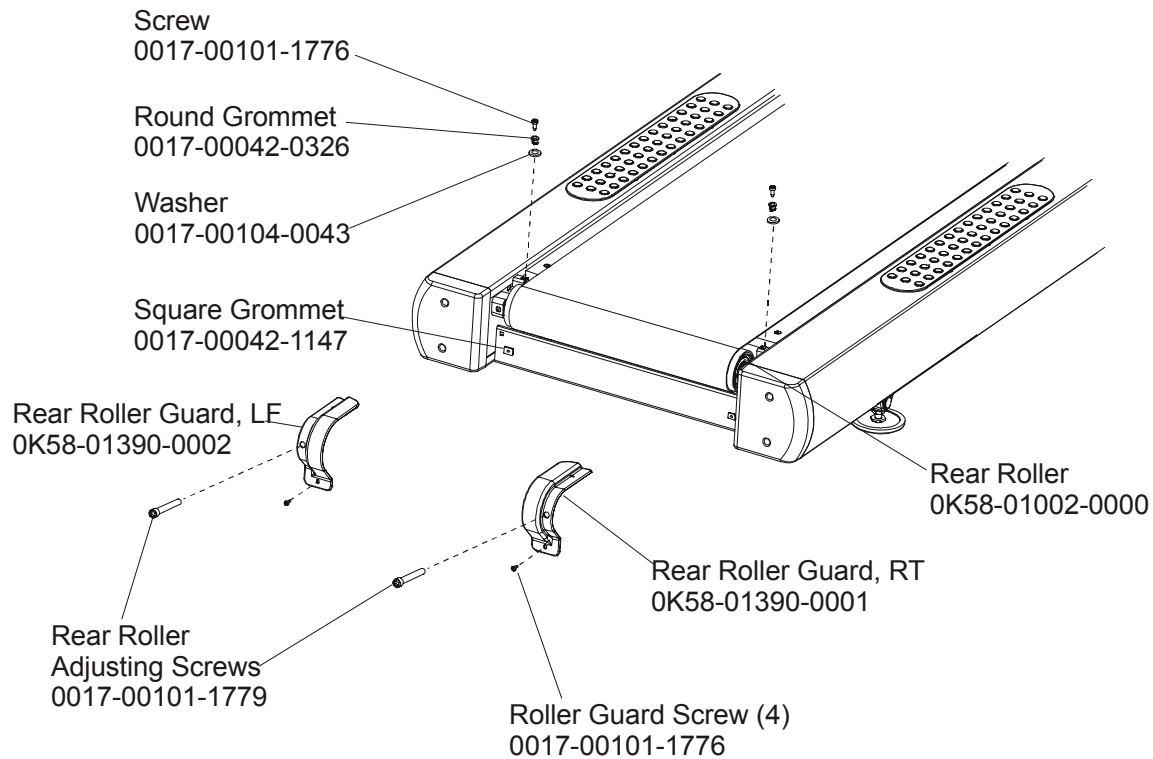
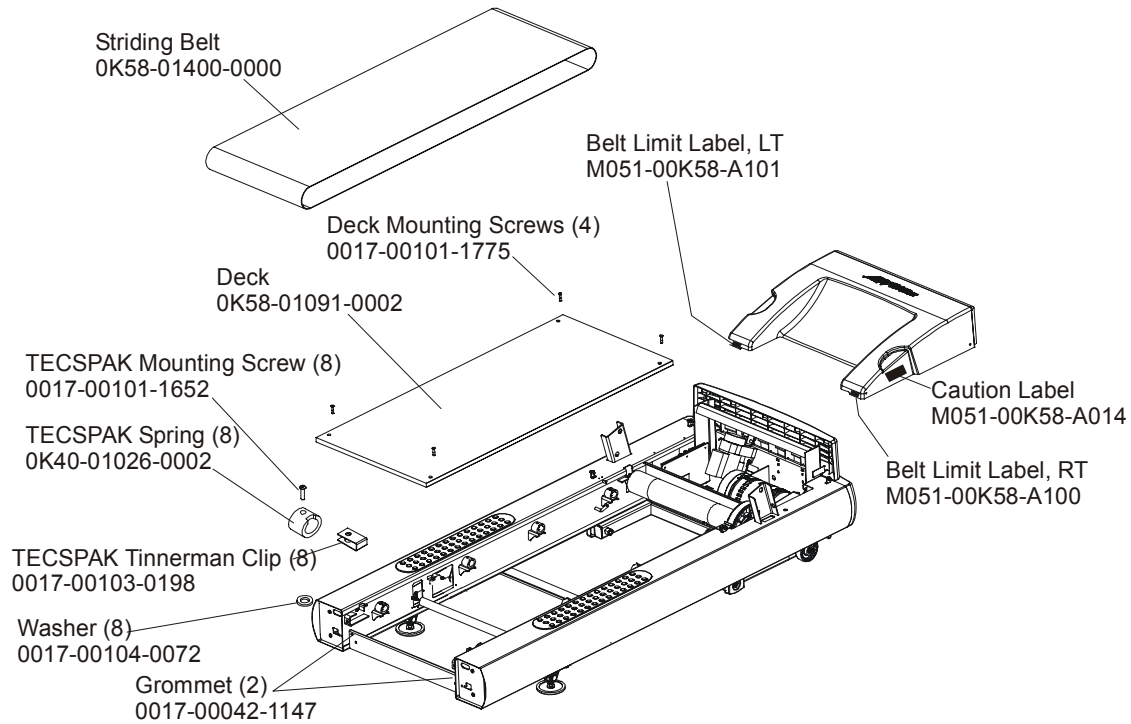
93TW-0XXX-04
S/N THJ100000 and up



ARCTIC SILVER 93TW ROHR

Belt, Deck and Rear Roller

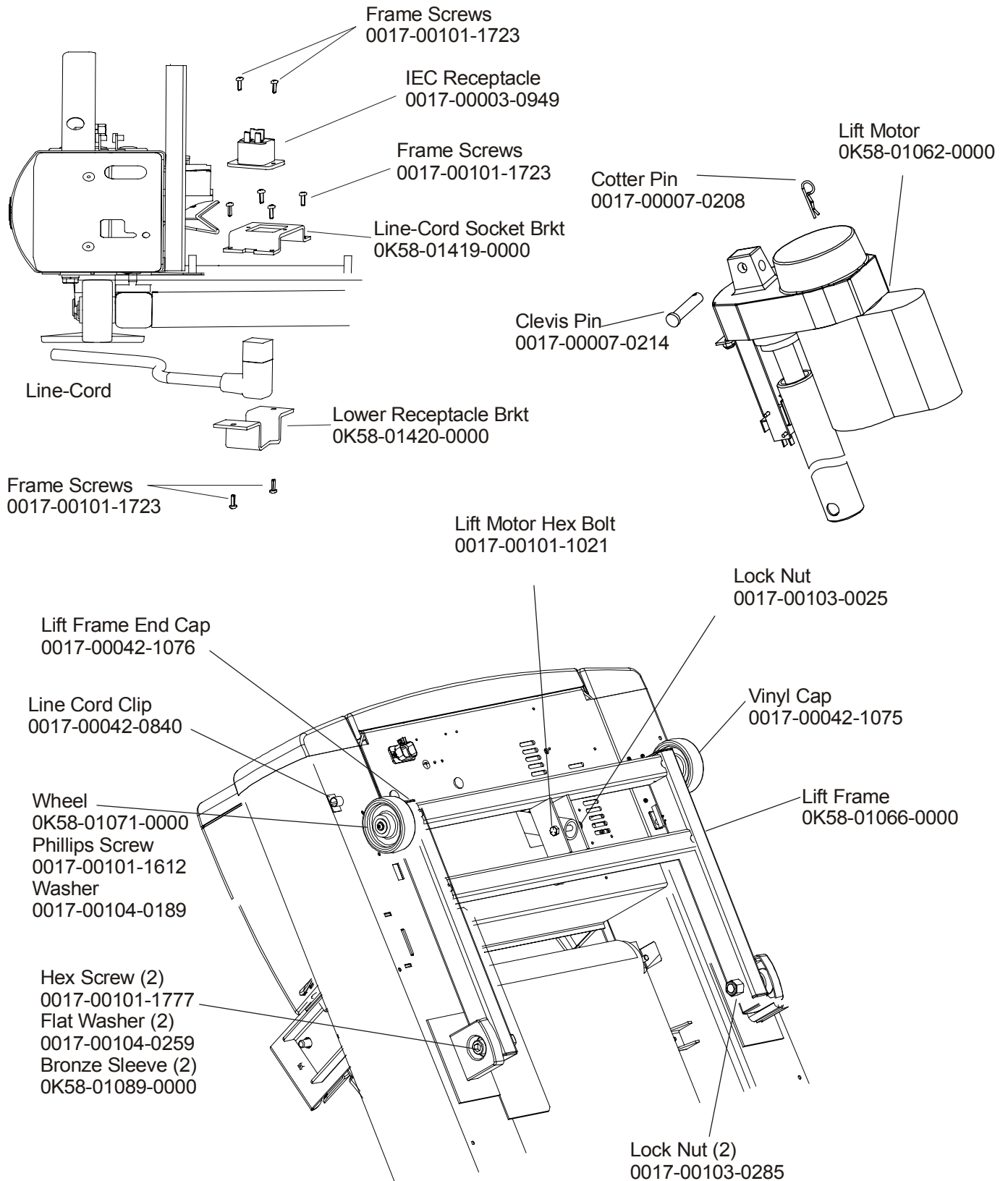
93TW-0XXX-04
S/N THJ100000 and up



ARCTIC SILVER 93TW ROHR

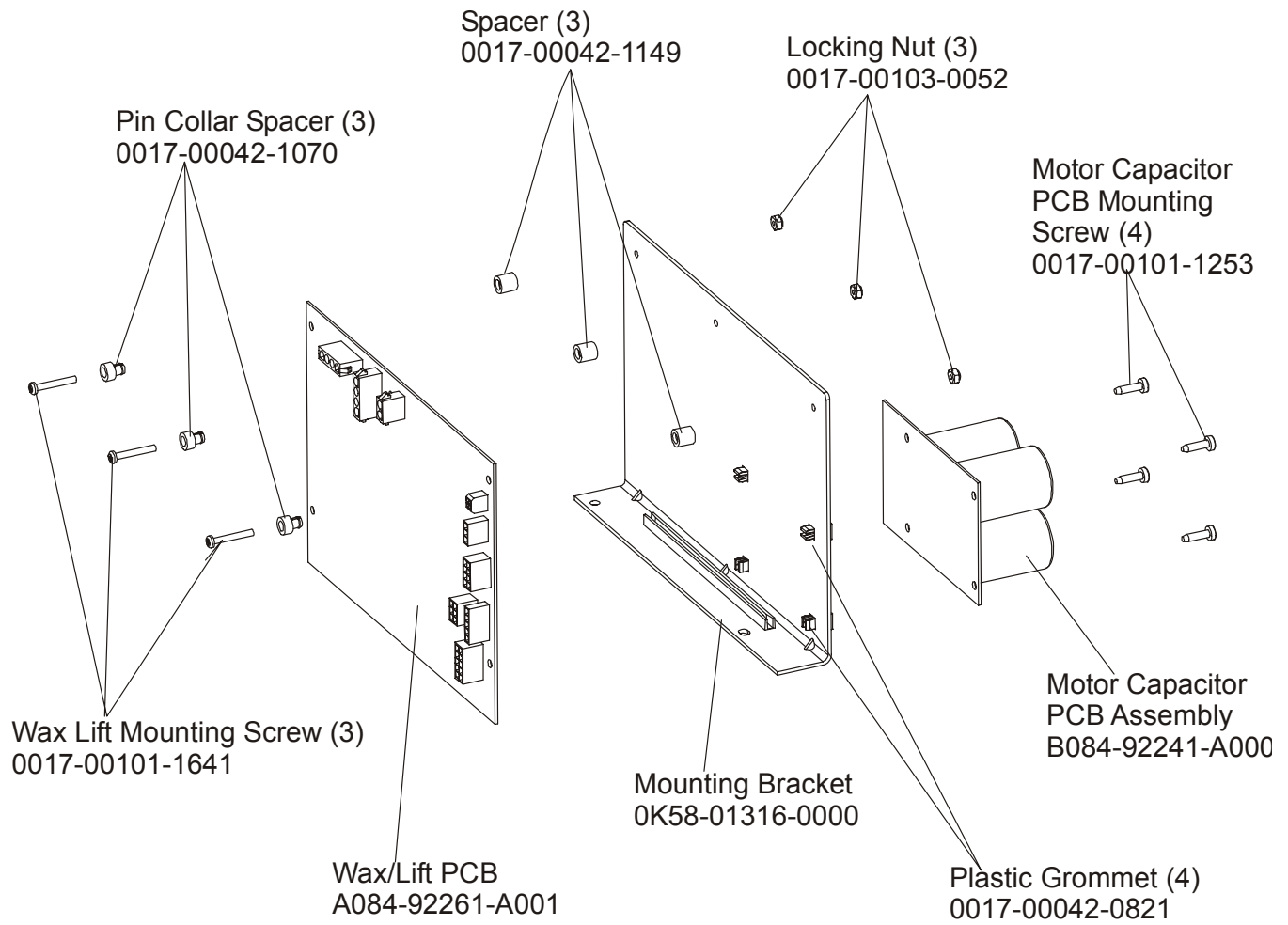
Lift Frame and Lift Motor

93TW-0XXX-04
S/N THJ100000 and up

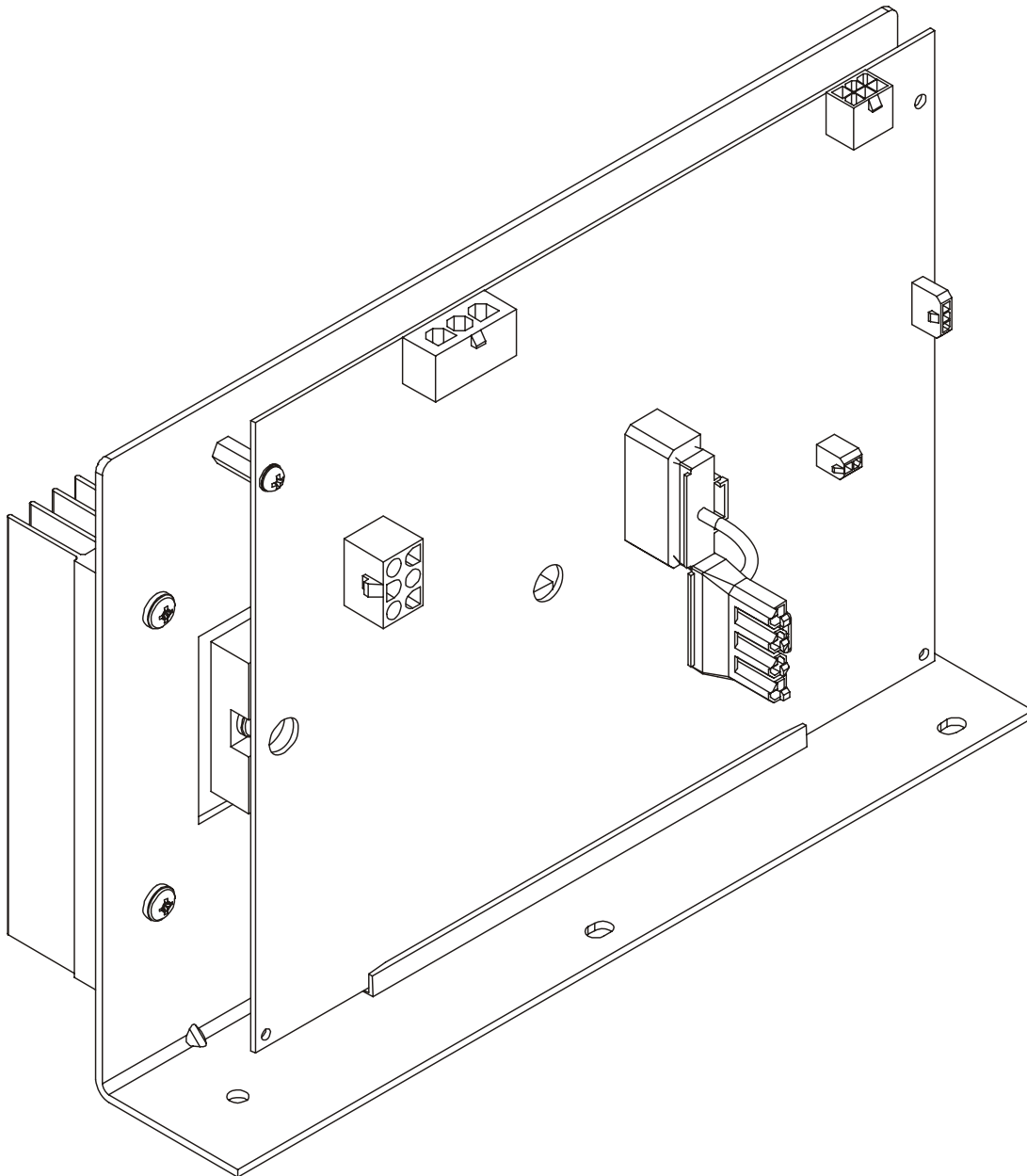


ARCTIC SILVER 93TW ROHR
Wax/Lift Assembly-AK58-00243-0000

93TW-0XXX-04
S/N THJ100000 and up

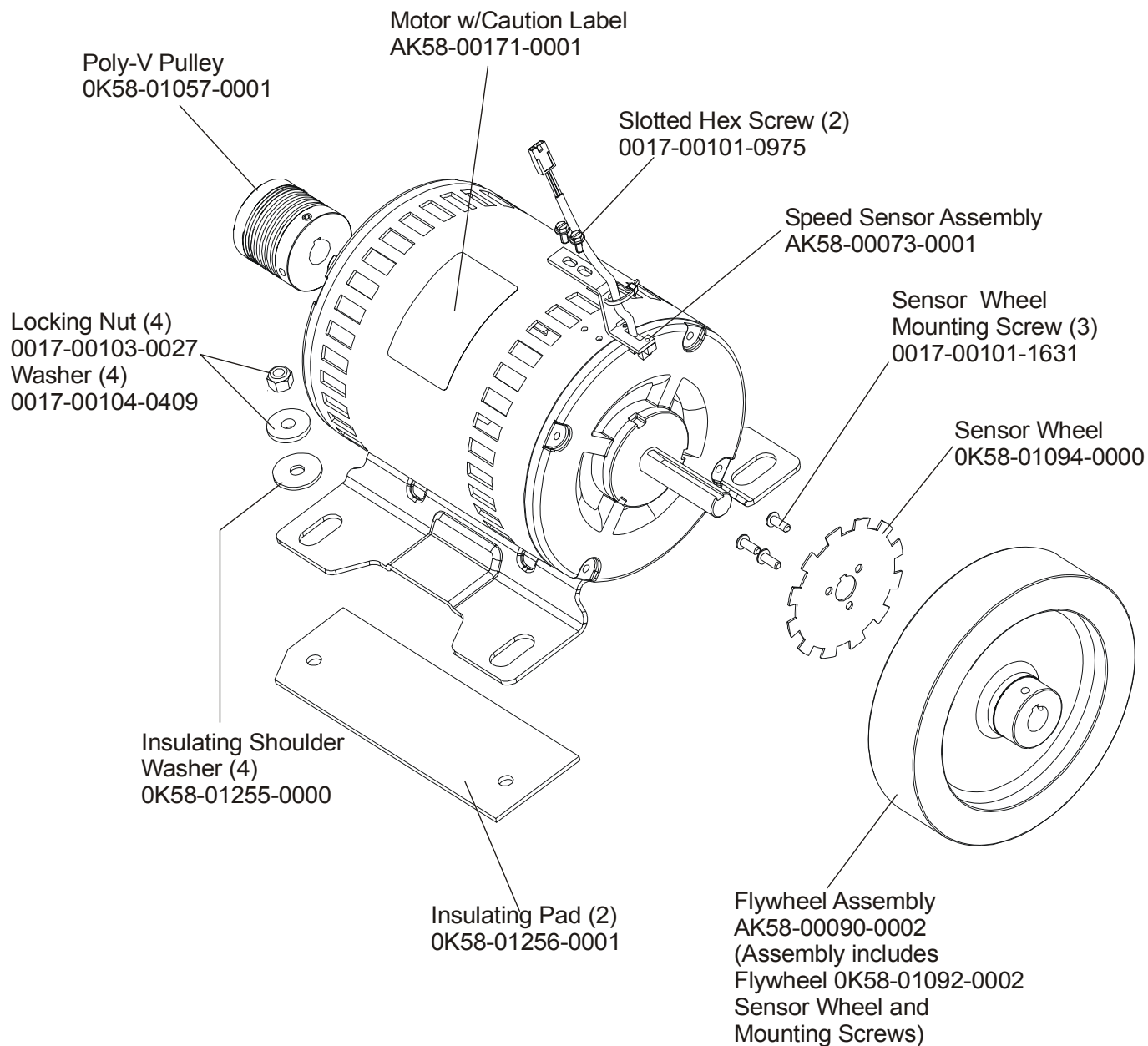


AK60-00171-0000 (100-120V) W/O FERRITE
AK60-00171-0001 (200-240V) W/O FERRITE
AK60-00171-0002 (100-120V) WITH FERRITE
AK60-00171-0003 (200-240V) WITH FERRITE



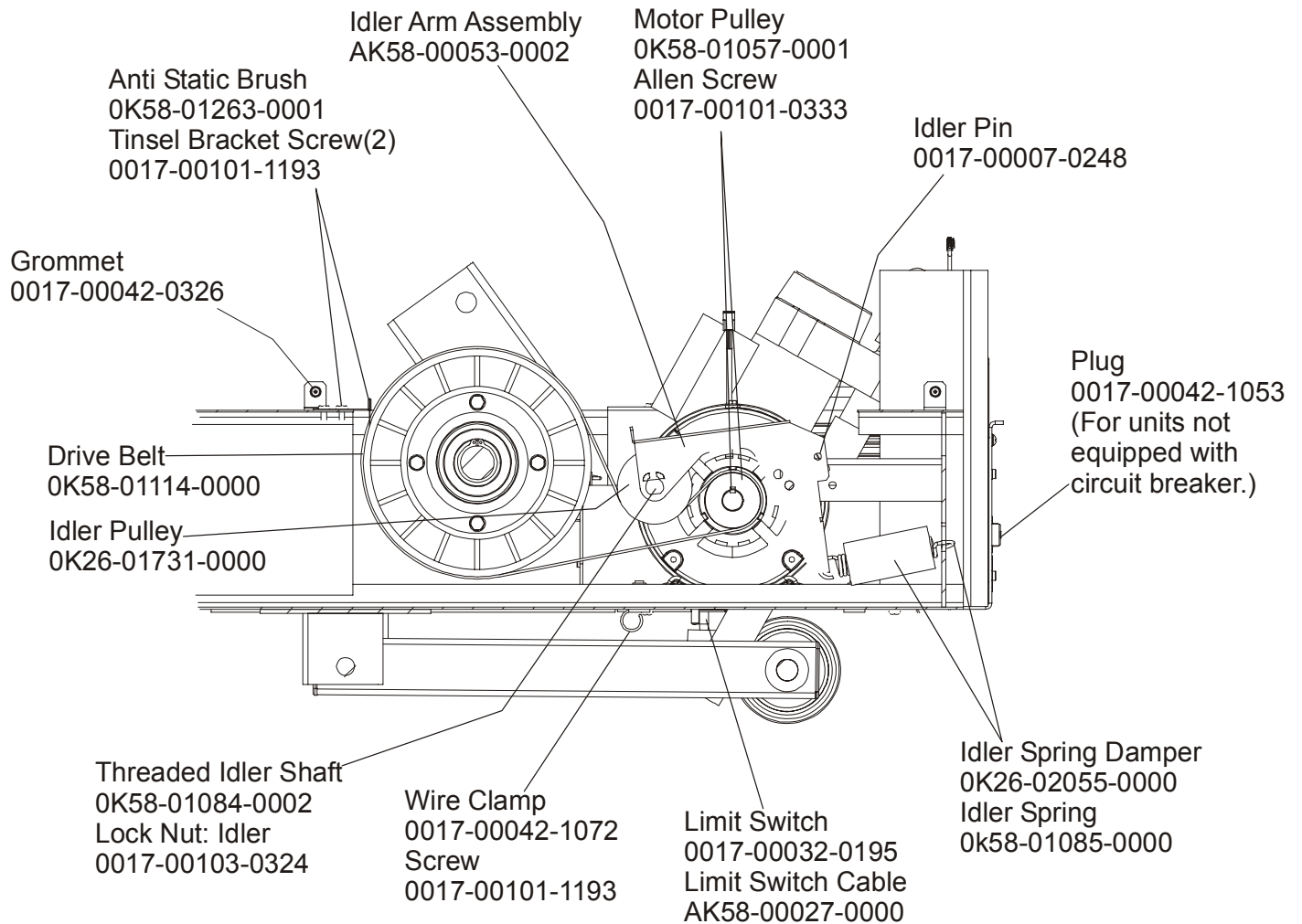
ARCTIC SILVER 93TW ROHR
Drive Motor Assy.

93TW-0XXX-04
S/N THJ100000 and up



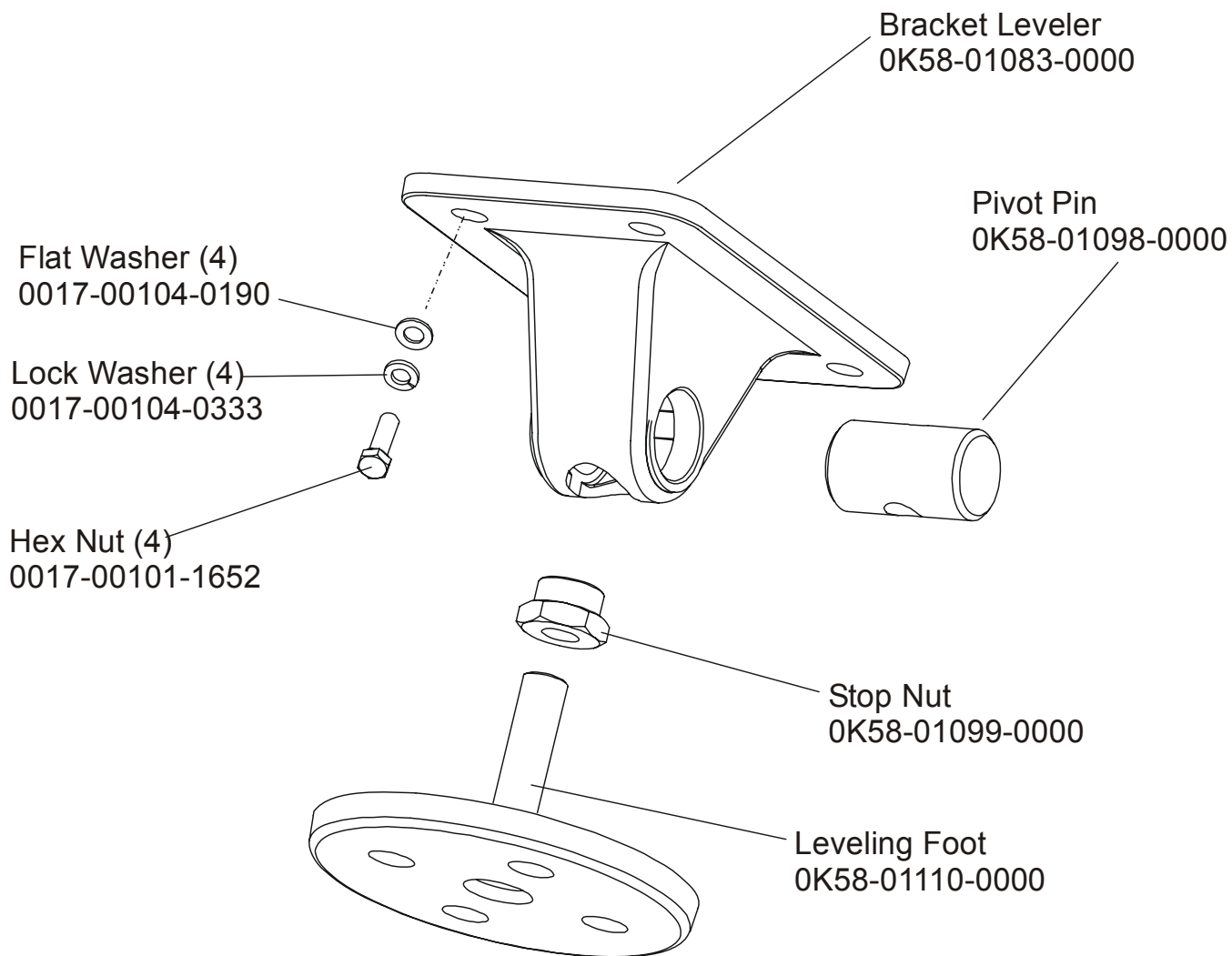
ARCTIC SILVER 93TW ROHR
Idler Arm Assembly and Static Brush

93TW-0XXX-04
S/N THJ100000 and up



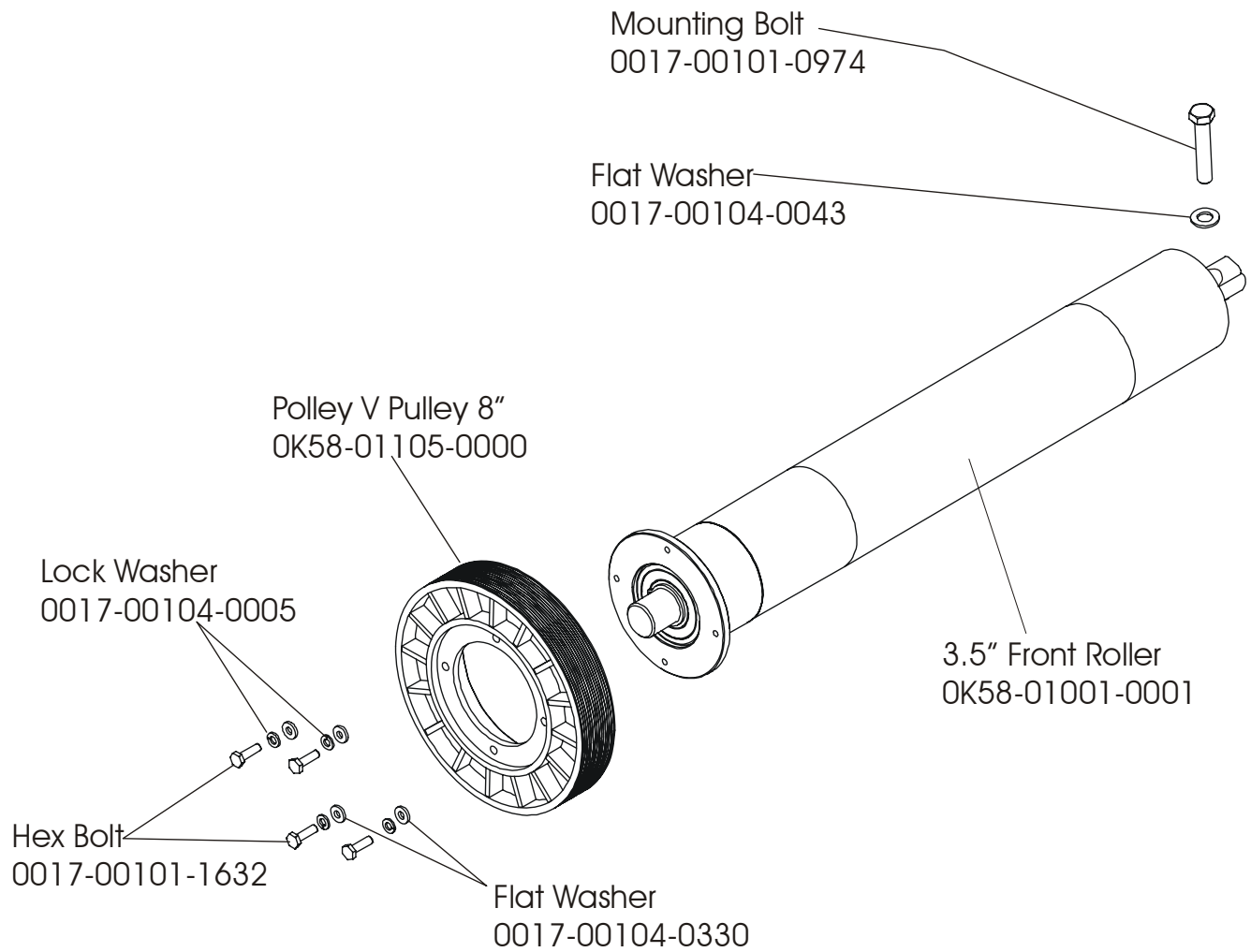
ARCTIC SILVER 93TW ROHR
Leveler Assembly – AK58-00370-0000

93TW-0XXX-04
S/N THJ100000 and up



ARCTIC SILVER 93TW ROHR
Front Roller Assy.-AK58-00066-0000

93TW-0XXX-04
S/N THJ100000 and up

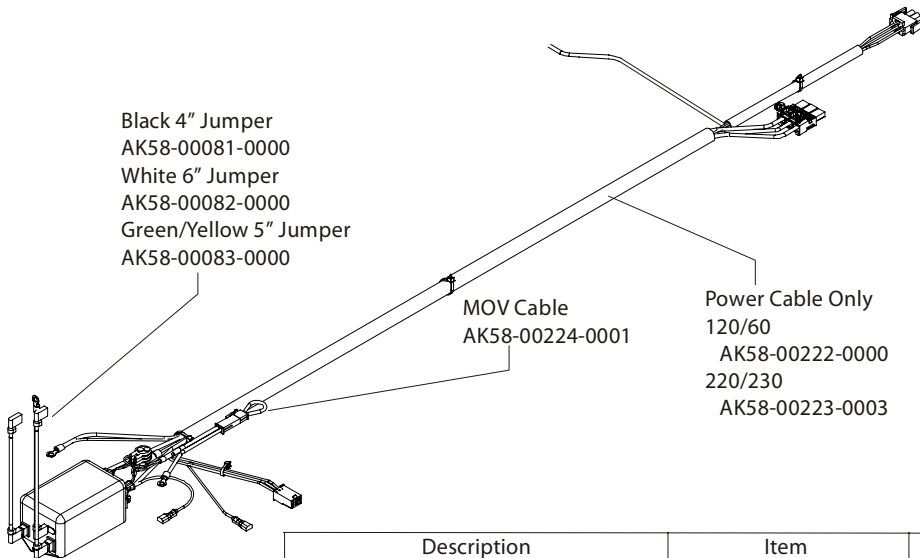
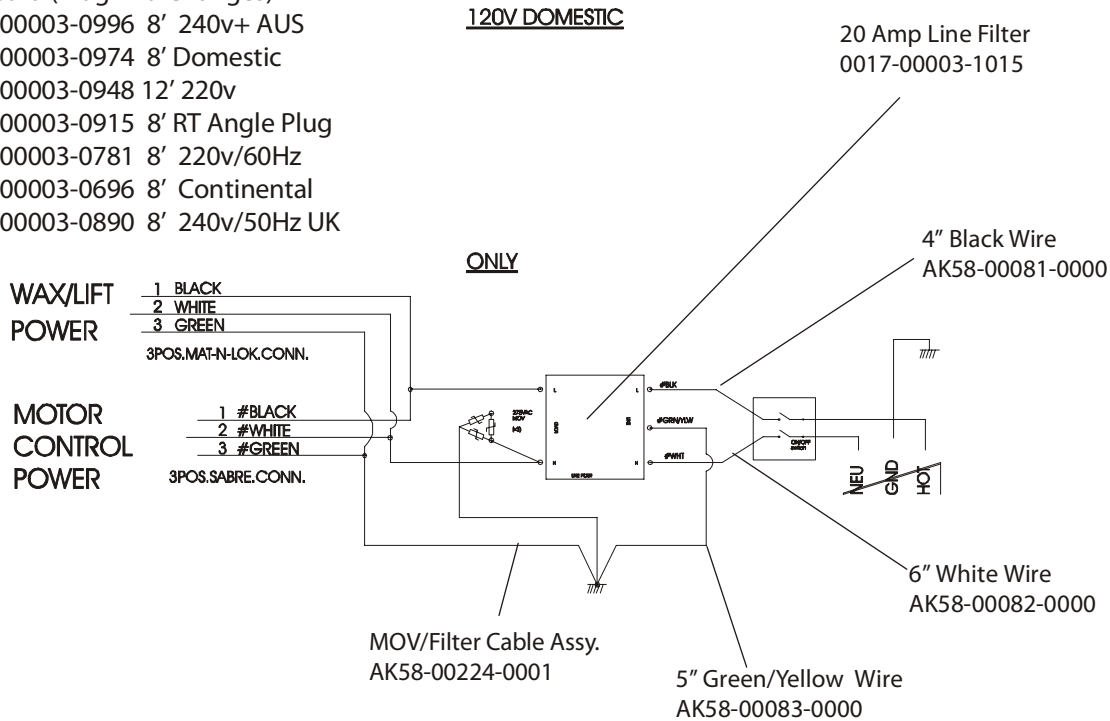


ARCTIC SILVER 93TW ROHR

Power Components Schematic 1

93TW-0XXX-04
S/N THJ100000 and up

- Line Cord (Plug End Changes)
 0017-00003-0996 8' 240v+ AUS
 0017-00003-0974 8' Domestic
 0017-00003-0948 12' 220v
 0017-00003-0915 8' RT Angle Plug
 0017-00003-0781 8' 220v/60Hz
 0017-00003-0696 8' Continental
 0017-00003-0890 8' 240v/50Hz UK



Description	Item	Item	Item
HARNESS-ASSY:MFG;120/60 20A E	0017-00003-1015	AK58-00222-0000	AK58-00265-0001
HARNESS-ASSY:MFG;220/60 20A E	0017-00003-1015	AK58-00223-0003	AK32-00265-0002
HARNESS-ASSY:MFG;230/50 10A E	-	AK58-00223-0003	AK32-00265-0003
HARNESS-ASSY:MFG;240/50 10A E	-	AK58-00223-0004	AK32-00265-0004
HARNESS-ASSY:MFG;240V+ 20A E	0017-00003-1015	AK58-00223-0004	AK32-00265-0005
HARNESS-ASSY:MFG;100/50 20A E	0017-00003-1015	AK58-00223-0001	AK32-00265-0006
HARNESS-ASSY:MFG;200/50 20A E	0017-00003-1015	AK58-00223-0002	AK32-00265-0007

ARCTIC SILVER 93TW ROHR

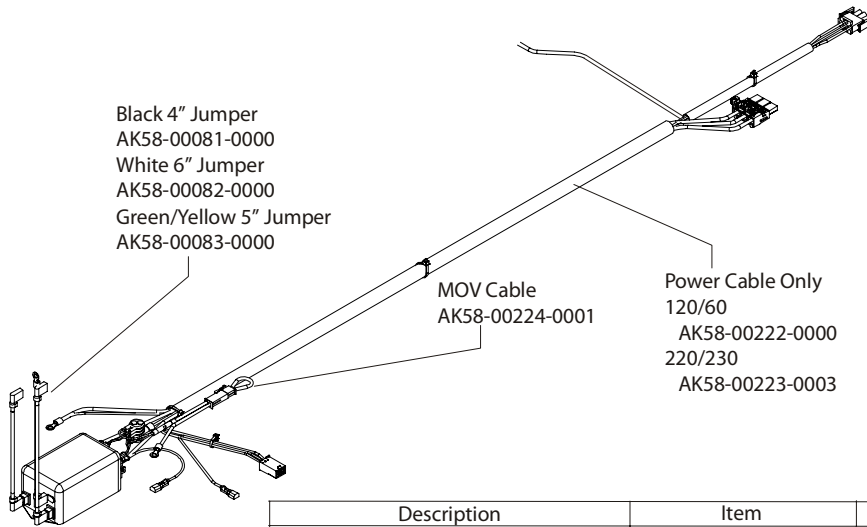
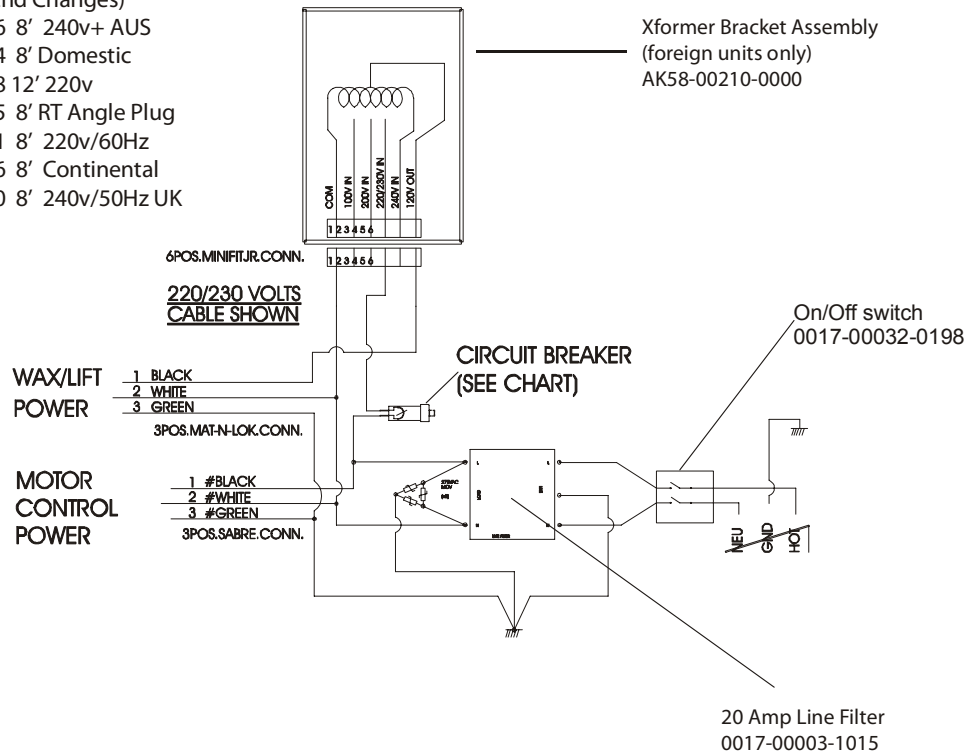
Power Components Schematic 2

93TW-0XXX-04
S/N THJ100000 and up

100V, 200-240V

FOREIGN

- Line Cord (Plug End Changes)
 0017-00003-0996 8' 240v+ AUS
 0017-00003-0974 8' Domestic
 0017-00003-0948 12' 220v
 0017-00003-0915 8' RT Angle Plug
 0017-00003-0781 8' 220v/60Hz
 0017-00003-0696 8' Continental
 0017-00003-0890 8' 240v/50Hz UK



Description	Item	Item	Item
HARNESS-ASSY:MFG;120/60 20A E	0017-00003-1015	AK58-00222-0000	AK58-00265-0001
HARNESS-ASSY:MFG;220/60 20A E	0017-00003-1015	AK58-00223-0003	AK32-00265-0002
HARNESS-ASSY:MFG;230/50 10A E	-	AK58-00223-0003	AK32-00265-0003
HARNESS-ASSY:MFG;240/50 10A E	-	AK58-00223-0004	AK32-00265-0004
HARNESS-ASSY:MFG;240V+ 20A E	0017-00003-1015	AK58-00223-0004	AK32-00265-0005
HARNESS-ASSY:MFG;100/50 20A E	0017-00003-1015	AK58-00223-0001	AK32-00265-0006
HARNESS-ASSY:MFG;200/50 20A E	0017-00003-1015	AK58-00223-0002	AK32-00265-0007

ARCTIC SILVER 93TW ROHR
Wax/Lift Power Supply

93TW-0XXX-04
S/N THJ100000 and up

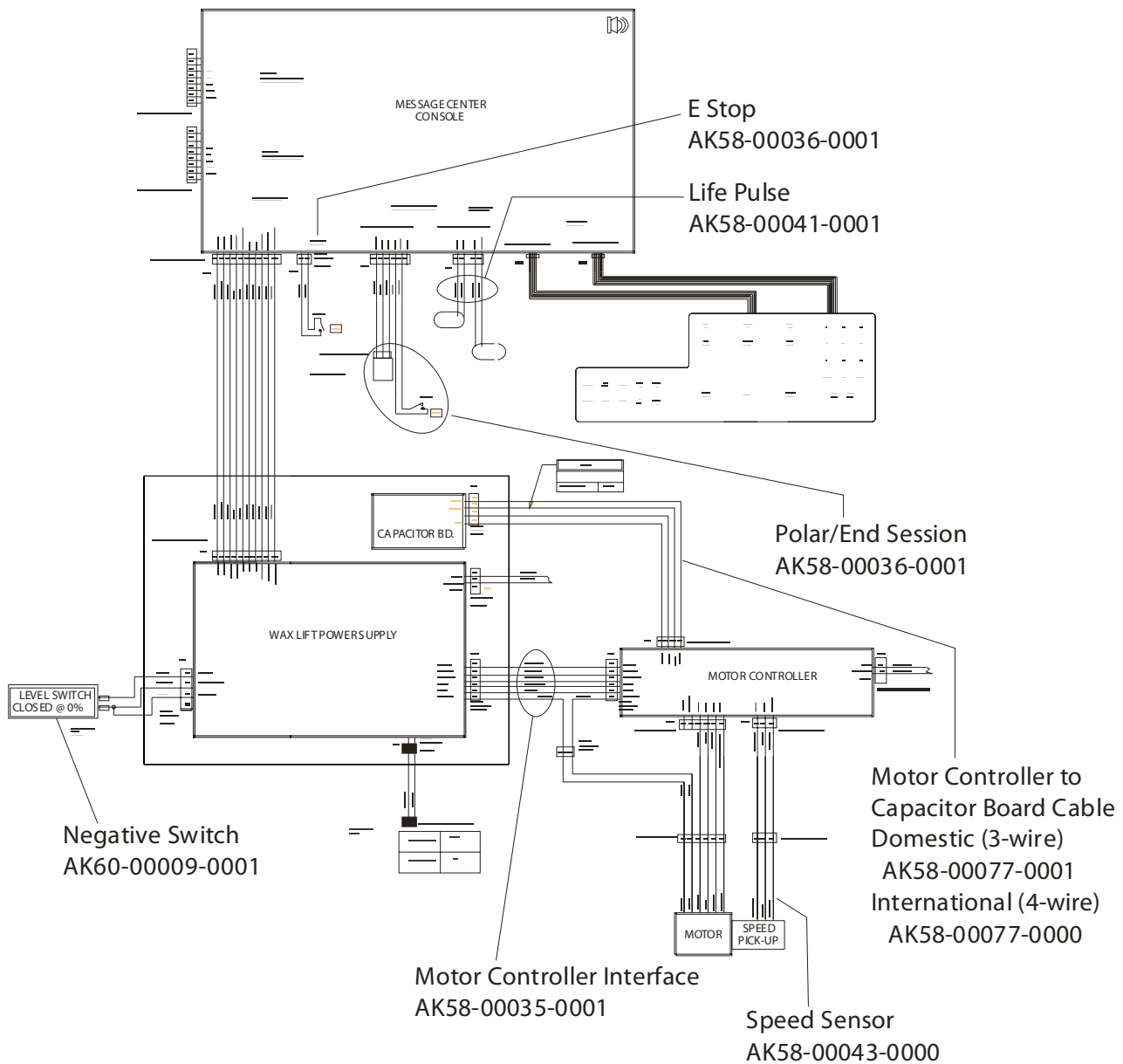
For pre-wired units:

120" Coax Cable

AK32-00020-0002

120" Power Extension Cable

AK32-00078-0001



Free Manuals Download Website

<http://myh66.com>

<http://usermanuals.us>

<http://www.somanuals.com>

<http://www.4manuals.cc>

<http://www.manual-lib.com>

<http://www.404manual.com>

<http://www.luxmanual.com>

<http://aubethermostatmanual.com>

Golf course search by state

<http://golfingnear.com>

Email search by domain

<http://emailbydomain.com>

Auto manuals search

<http://auto.somanuals.com>

TV manuals search

<http://tv.somanuals.com>