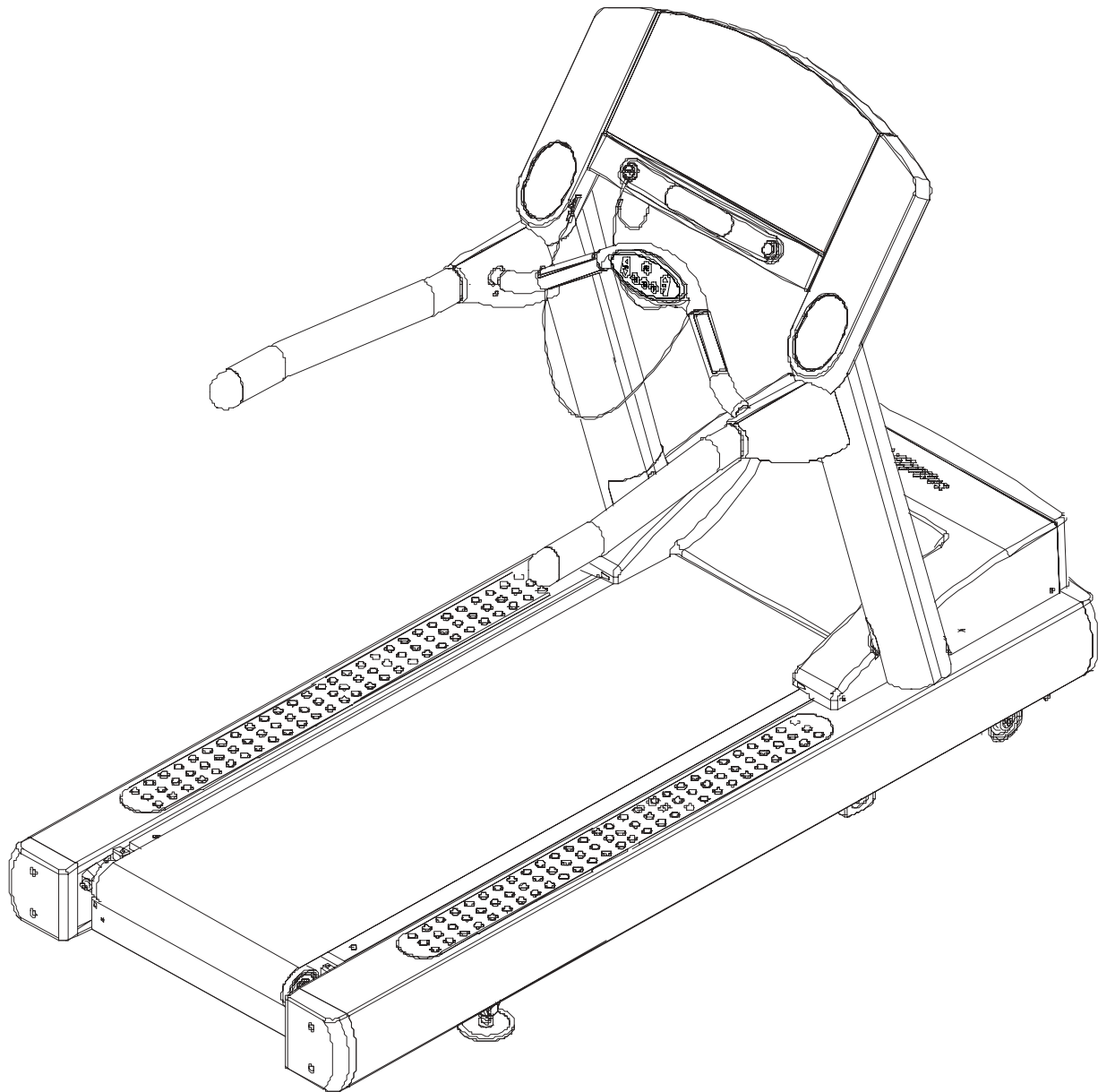


# LifeFitness

ARCTIC SILVER 97T TREADMILL



## Customer Support Services **PARTS MANUAL** rev 23 May 2008

	Page
CONSOLE, OVERLAY ASSEMBLY & OVERLAY .....	5
CONSOLE COMPONENTS .....	6
UPRIGHTS & HANDRAILS .....	7
ERGO BAR, HEART RATE SENSORS & ACTIVITY ZONE .....	8
A-Z MODULE WITH OVERLAY ASSY .....	9
REAR ENDCAPS & CUP HOLDERS .....	10
MOTOR COVER, FRONT COVER & ENDCAPS .....	11
SCUFF PAD & TINSEL .....	12
ON-OFF SWITCH, ACCESS PLATE & GROMMETS .....	13
BELT, DECK & REAR ROLLER .....	14
LIFT FRAME & IEC RECEPTACLE .....	15
LIFT MOTOR ASSY .....	16
IDLER ARM ASSEMBLY .....	17
LEG LEVELER ASSEMBLY .....	18
FRONT ROLLER ASSEMBLY .....	19
DRIVE MOTOR ASSEMBLY .....	20
STRIDE SENSOR ASSY & STRIDE SENSOR PCB ASSY .....	21
DSP-CONTROLLER ASSEMBLY .....	22
LINE-CORDS & LINE-CORD OPTIONS .....	23
CABLES FOR UNITS BETWEEN 0100 - 0104 .....	24
CABLES FOR UNITS BETWEEN 0105 - 0300 .....	25
CABLES FOR UNITS BETWEEN 0301 - 0601 .....	26
CABLES FOR UNITS BETWEEN 0705 - 1601 .....	27

LANGUAGE	OPERATION MANUAL	INSTRUCTION ASSEMBLY	INSTRUCTION BAG ASSY.	SERVICE MANUAL
ENGLISH	M051-00K58-A272	M051-00K58-A322	AK58-00578-0000	M051-00K58-A253
FRENCH	M051-00K58-A273	M051-00K58-A323	AK58-00578-0001	
PORTUGUESE				
SPANISH				
DUTCH	M051-00K58-A274	M051-00K58-A324	AK58-00578-0002	
GERMAN				
ITALIAN				
JAPANESE	M051-00K58-A275	M051-00K58-A325	AK58-00578-0003	
EUR	M051-00K58-A272	M051-00K58-A322	AK58-00578-0004	

\*All Operation, Instruction assembly, and Instruction Bag assemblies may not be available.

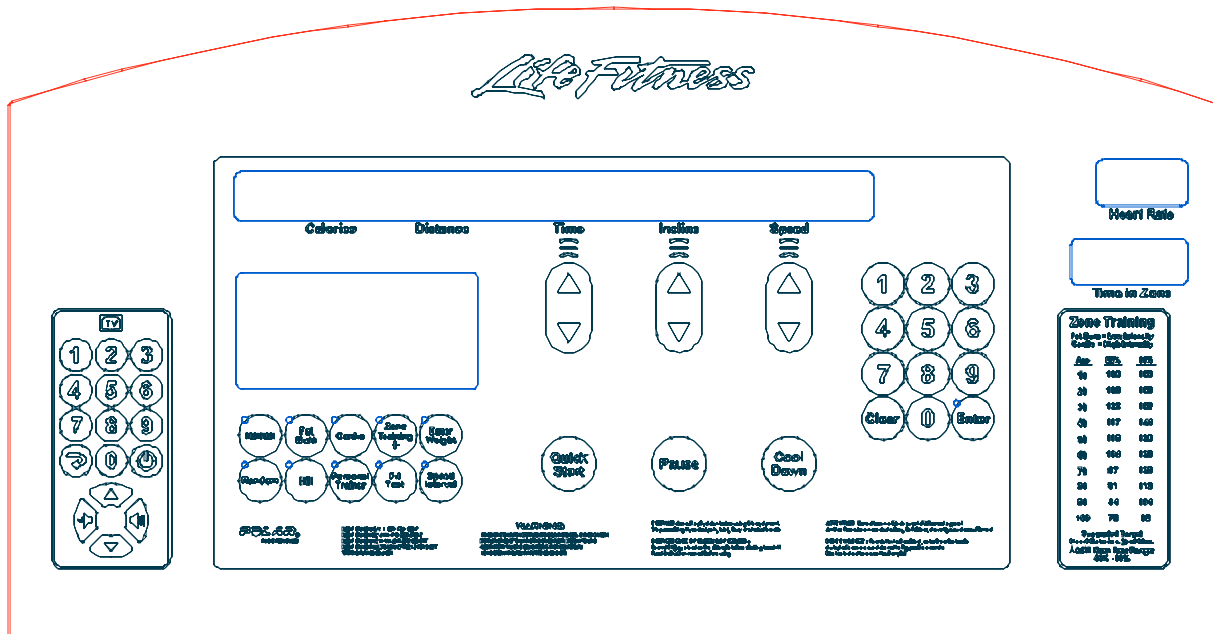
AK58-00226-0000	Hardware Bag Assembly: MFG;95T/97T	
Item	Description	Qty
0K58-01305-0002	PLUG: UPRIGHT S/C-C	2
0K58-01347-0000	GASKET: ERGOBAR C	2
0017-00009-1049	WRENCH: TORX; T27 B	1
0017-00042-0326	GROMMET: PLASTI; .130/.005 S/C#13-B	2
0017-00042-0840	CLIP: WIRE; PUSH-MTG; 3/4"; S/C#80-B	5
0017-00101-1770	8-15X 8 PHL PAN A SS NO B	6
0017-00101-1772	10-16X 8 PHL PAN B ST ZS B	6
0017-00101-1773	1/4 -20X 8 TRX BUT CS SS NO B	6
0017-00101-1774	5/16-18X40 TRX FLT CS ST ZS B	4
0017-00101-1778	1/2 -13X16 UNS HEX CS G5 ZB B	4
0017-00101-1780	8- X20 PHL TRS AB SS NO B	8
0017-00104-0325	WSH 516-.873-125 SL-D ST ZN B	4
0017-00103-0327	NUT 5/16-18 HEX; JAM D ST ZS B	4

GK58-00002-0096 KIT: SERV; ROLLER-GUARDS; 97Ti BM		
Part Number	Description	Qty
AK58-00361-0001	GUARD-ASSY: MFG; RT; 5.00 B	1
AK58-00361-0002	GUARD-ASSY: MFG; LT; 5.00 B	1
M051-00K58-B128	INSTR: SERV; ROLLER-GUARDS +	1
0017-00042-0326	GROMMET: PLASTI; .130/.005 S/C#13-B	2
0017-00042-1147	GROMMET: NYLON; SCREW B	2
0017-00101-1776	10-16X 8 PHL PAN B ST ZB B	4

GK58-00002-0071 KIT: SERV; ANTI-SLIP RAIL BM		
Part Number	Description	Qty
Only available in the kit	INSTR:TEMPLT; ANTI-SLIP RAIL B	4
Only available in the kit	INSTR: KIT; ANTI-SLIP RAIL +	1
OK58-01376-0000	RAIL: ANTI-SLIP;STEALTH-GREY E	2
Only available in the kit	PAD: WIPE; ALCOHOL/DRY B	

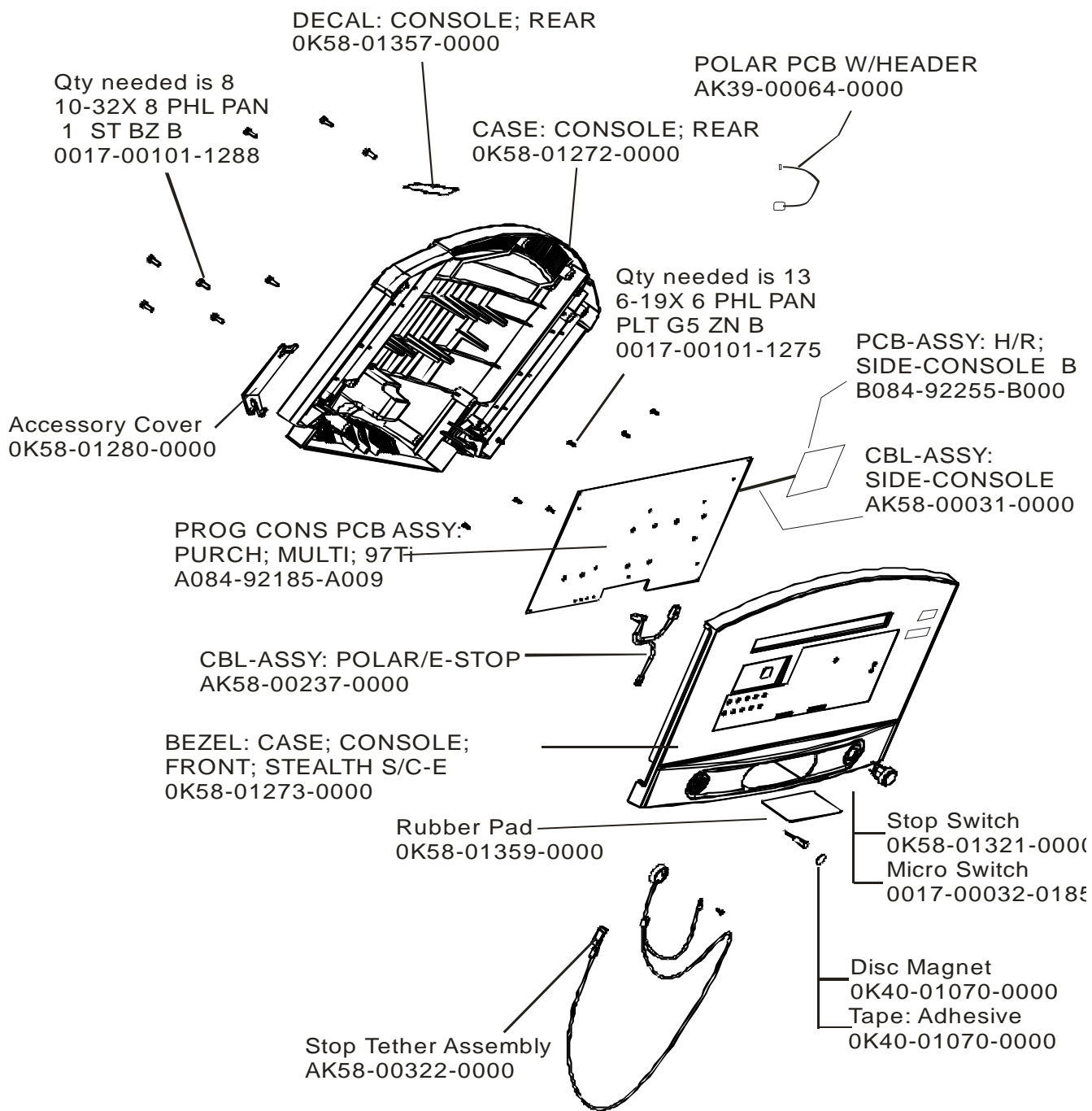
TOUCH UP PAINT	
0017-00008-0204	PAINT: CAN; SPRAY; ARCTIC SILVER
0017-00008-0205	PAINT: BOTTLE; ARCTIC SILVER ( .5 OZ )
0017-00008-0206	PAINT: PEN; ARCTIC SILVER ( .33 OZ )

INK TRANSFER TOUCH-UP PAINT: SB No. GN05032101N	
0017-00008-0210	PAINT: TOUCH-UP; SHADOW-GRAY; .6 OZ BTL.
0017-00008-0211	PAINT: TOUCH-UP; SHADOW-GRAY; .6 OZ. PEN



LANGUAGE	CONSOLE	OVERLAY/BEZEL ASSY	OVERLAY
ENG/ENG	AK58-00582-0001	AK58-00202-0001	OK58-01296-0001
ENG+MET	AK58-00582-0002	AK58-00202-0002	OK58-01296-0001
GERMAN	AK58-00582-0003	AK58-00202-0003	OK58-01296-0003
SPANISH	AK58-00582-0004	AK58-00202-0004	OK58-01296-0004
JAPANESE	AK58-00582-0006	AK58-00202-0006	OK58-01296-0006
FRENCH	AK58-00582-0007	AK58-00202-0007	OK58-01296-0007
ITALIAN	AK58-00582-0008	AK58-00202-0008	OK58-01296-0008
DUTCH	AK58-00582-0009	AK58-00202-0009	OK58-01296-0009
PORUGUESE	AK58-00582-0010	AK58-00202-0010	OK58-01296-0010

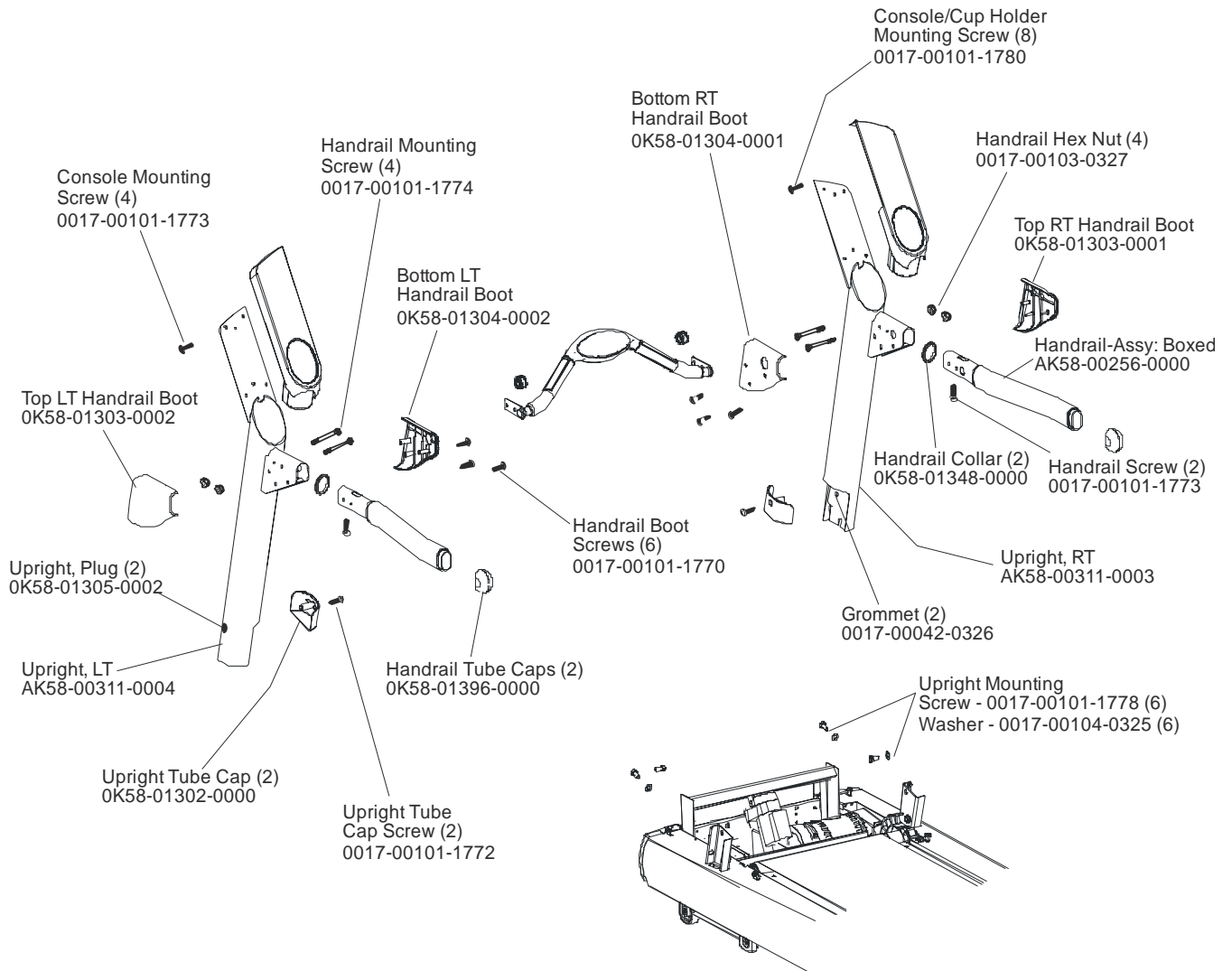
\*All console, overlay/bezel assembly, or overlay may not be available.



# ARCTIC SILVER 97T

## Uprights & Handrails

97T-XXXX-07  
S/N TST100000 and up

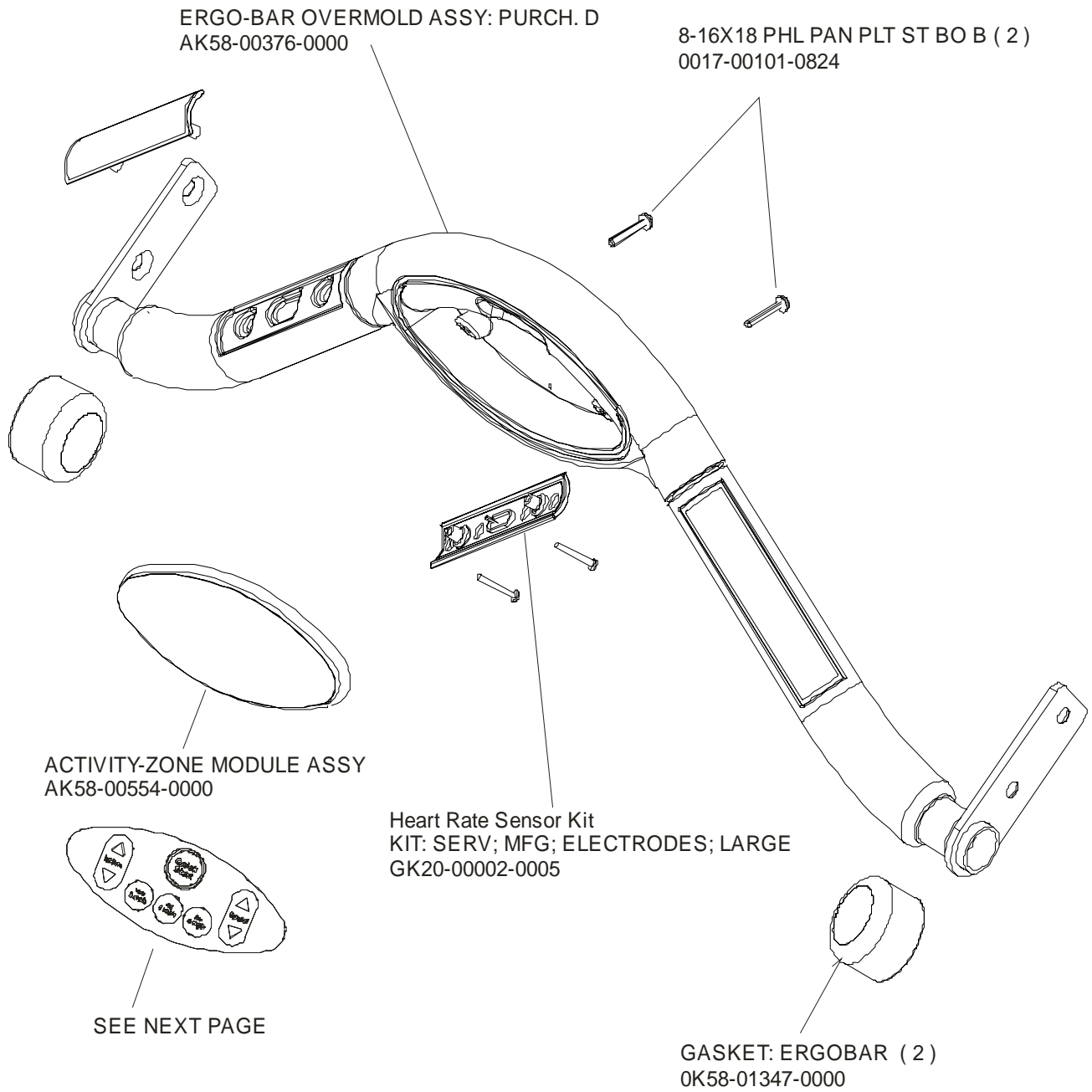


# ARCTIC SILVER 97T

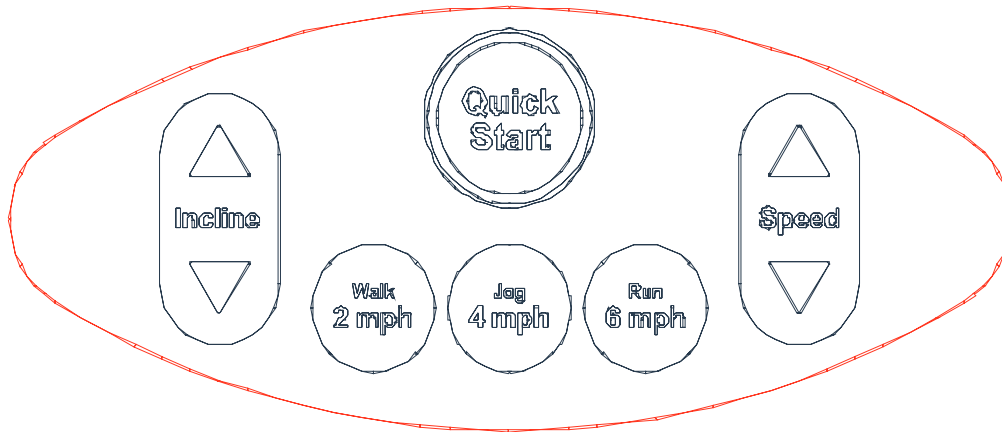
## Ergo Bar, Heart Rate Sensors & Activity Zone

97T-XXXX-07

S/N TST100000 and up





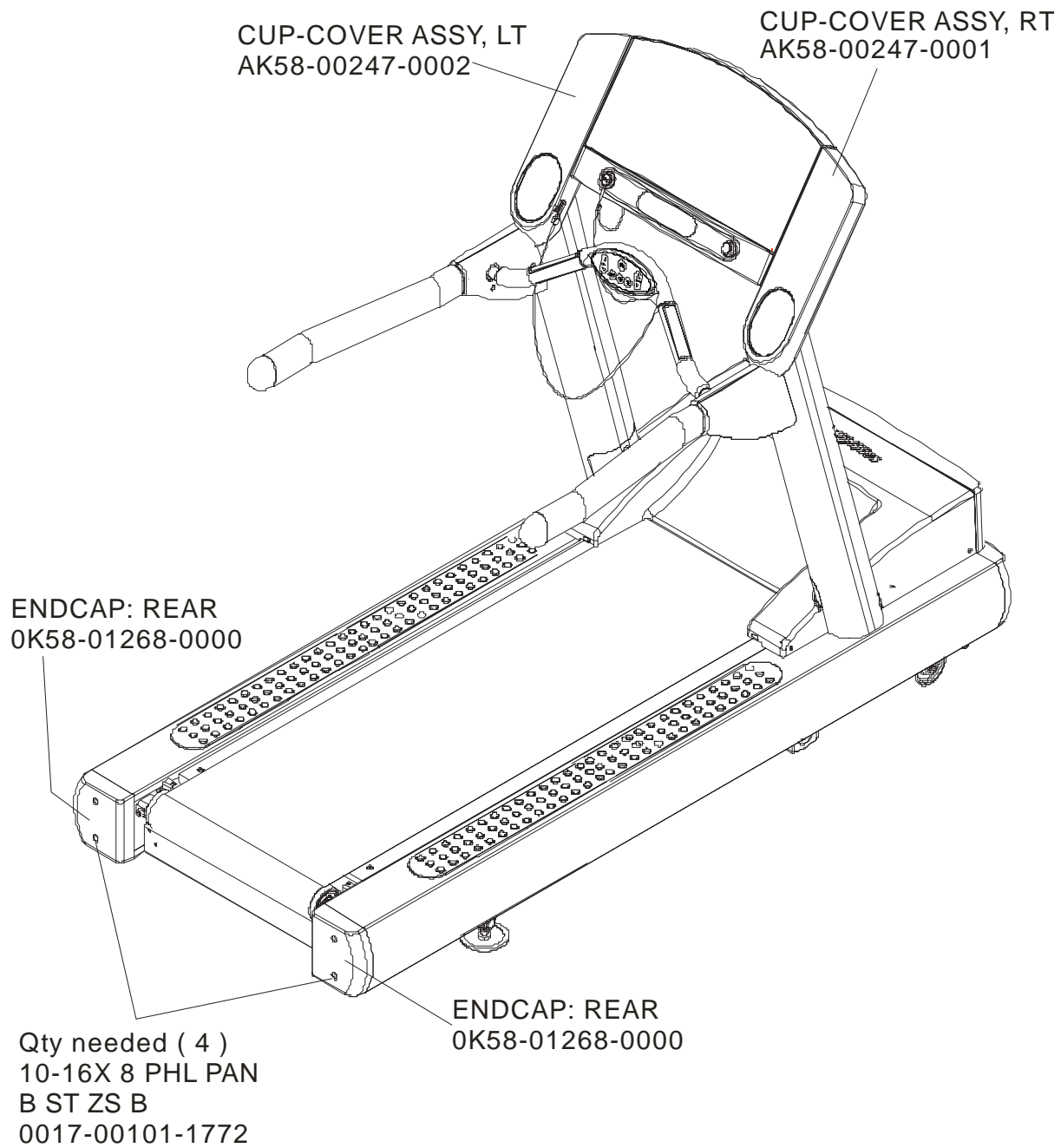


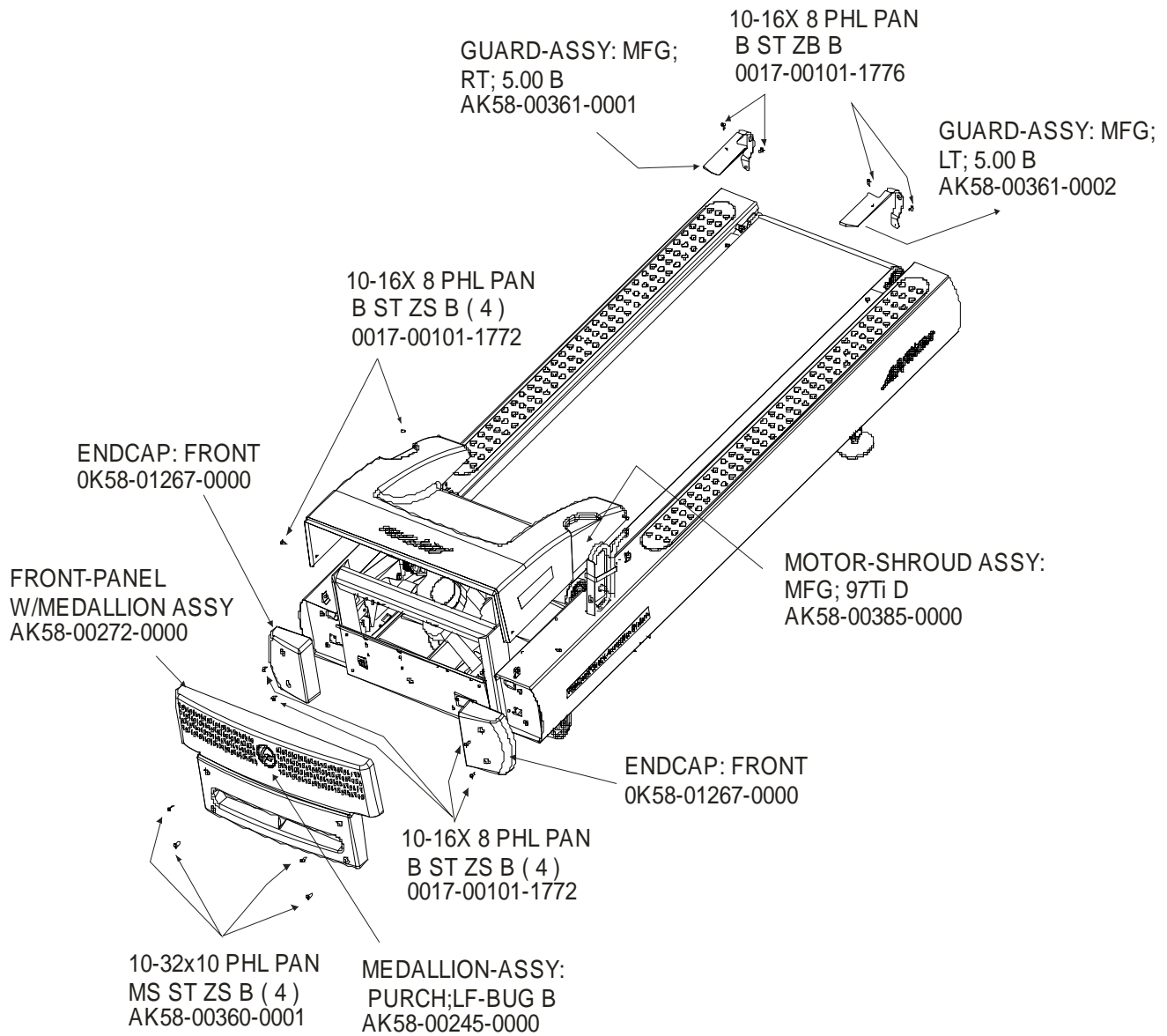
LANGUAGE	ACTIVITY ZONE ASSY	AZ OVERLAY
ENG/ENG	AK58-00555-0001	OK58-01459-0001
ENG/MET	AK58-00555-0002	OK58-01459-0002
GERMAN	AK58-00555-0003	OK58-01459-0003
SPANISH	AK58-00555-0004	OK58-01459-0004
JAPANESE	AK58-00555-0006	OK58-01459-0006
FRENCH	AK58-00555-0007	OK58-01459-0007
ITALIAN	AK58-00555-0008	OK58-01459-0008
DUTCH	AK58-00555-0009	OK58-01459-0009

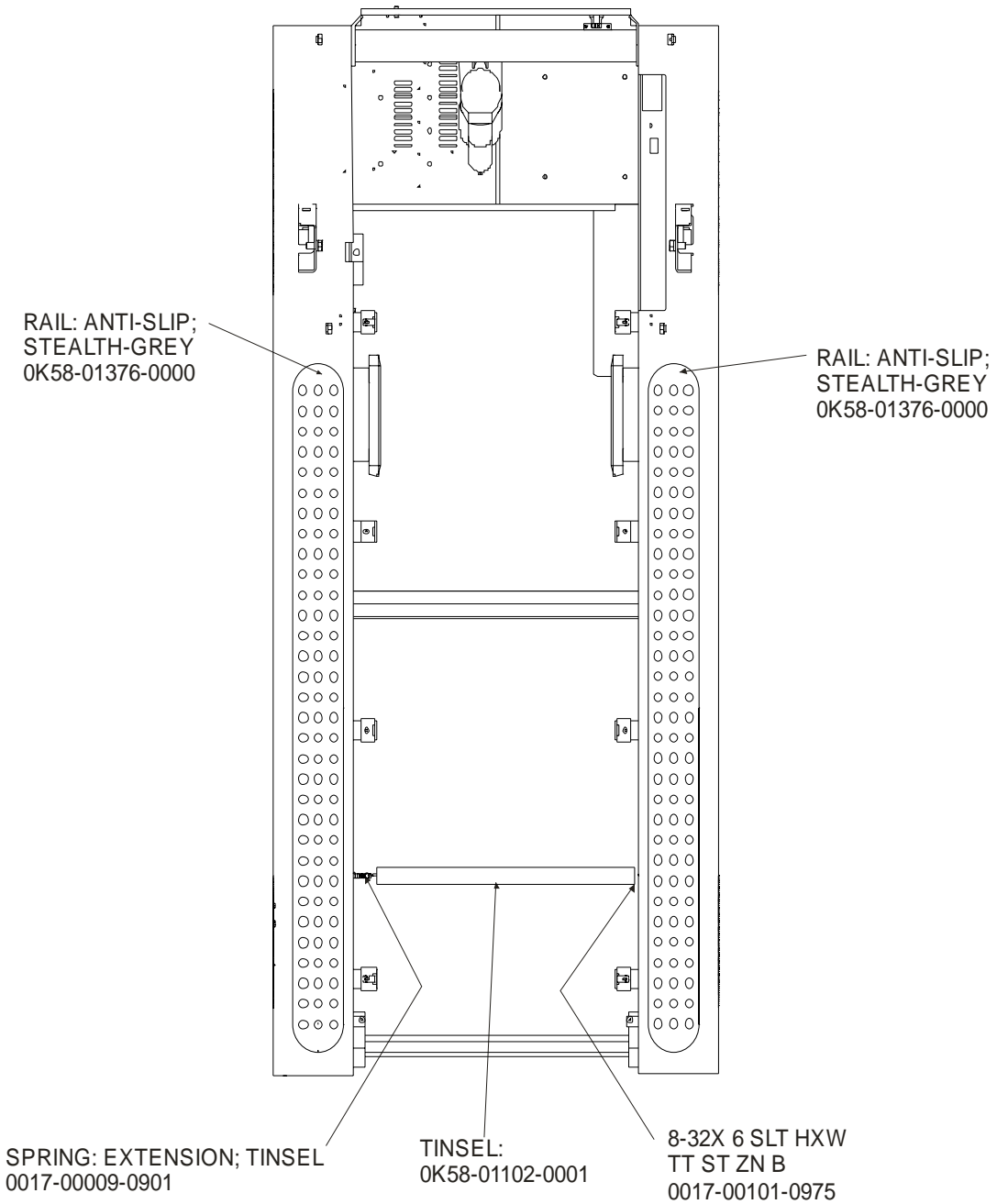
\*All activity zones and/or overlays may not be available.

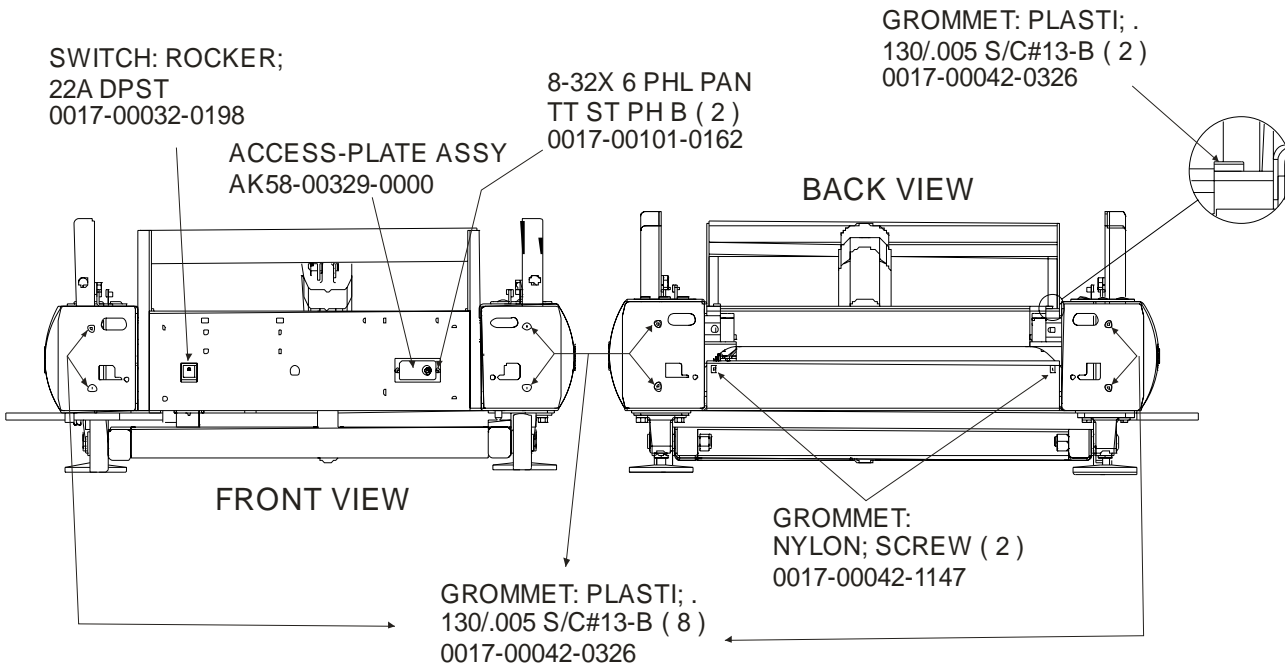
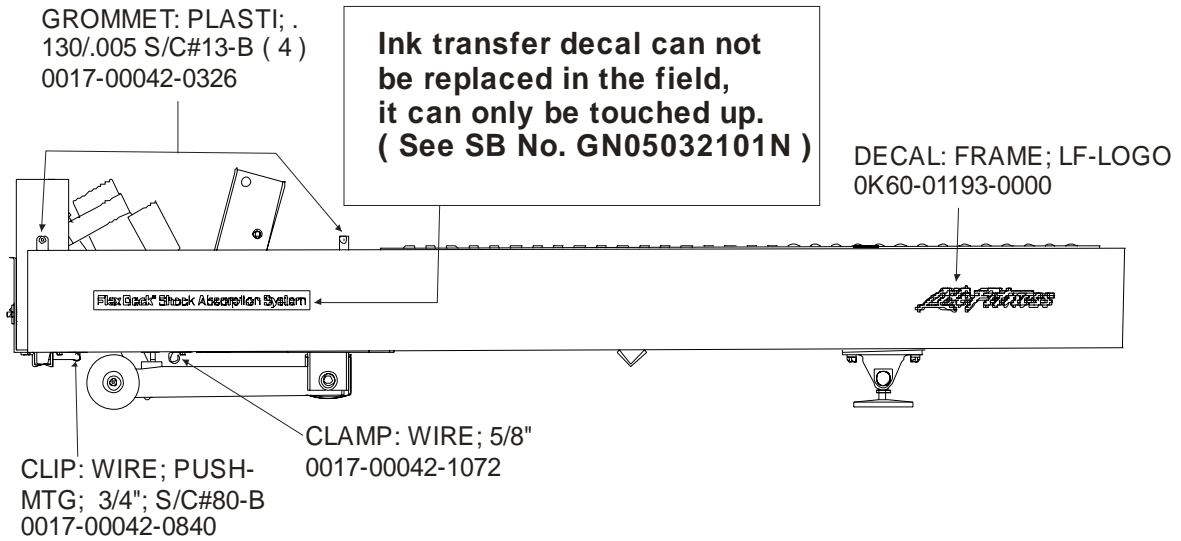
**ARCTIC SILVER 97T**  
**Rear End Caps & Cup Holders**

**97T-XXXX-07**  
**S/N TST100000 and up**





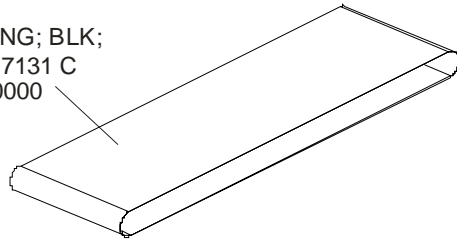




**ARCTIC SILVER 97T**  
**Belt, Deck & Rear Roller**

**97T-XXXX-07**  
**S/N TST100000 and up**

BELT: WALKING; BLK;  
 W/LOGO; NP7131 C  
 0K58-01397-0000

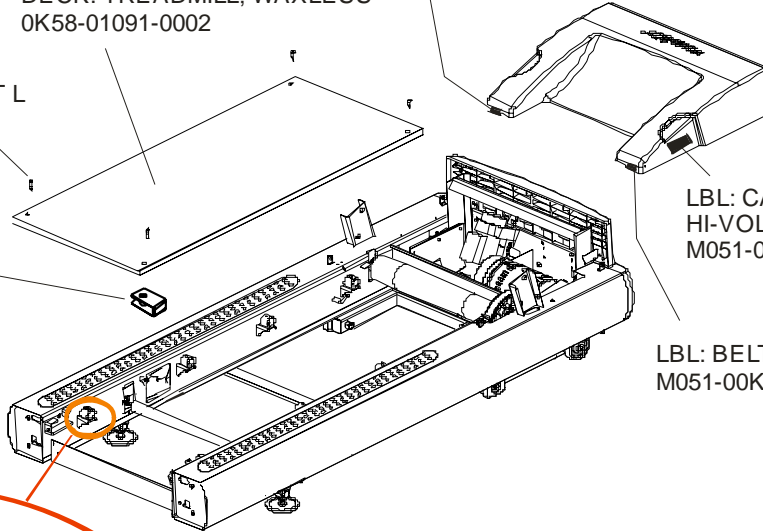


LBL: BELT-LIMIT; LT.  
 M051-00K58-A101

DECK: TREADMILL; WAXLESS  
 0K58-01091-0002

1/4 -20x20 HXS FLT L  
 CS ST ZB B (4)  
 0017-00101-1775

NUT 1/4 -20 TINNEMAN  
 D ST ZN B (4)  
 0017-00103-0198



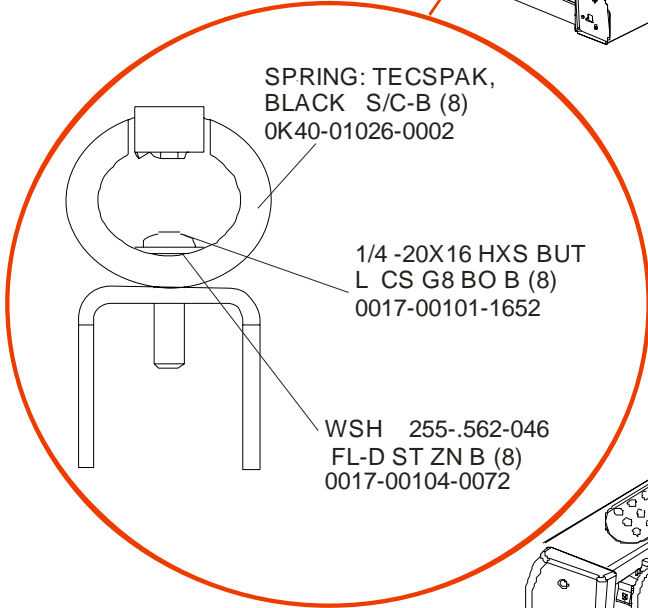
LBL: CAUTION;  
 HI-VOLT;ENG+FRN B  
 M051-00K58-A014

LBL: BELT-LIMIT; RT.  
 M051-00K58-A100

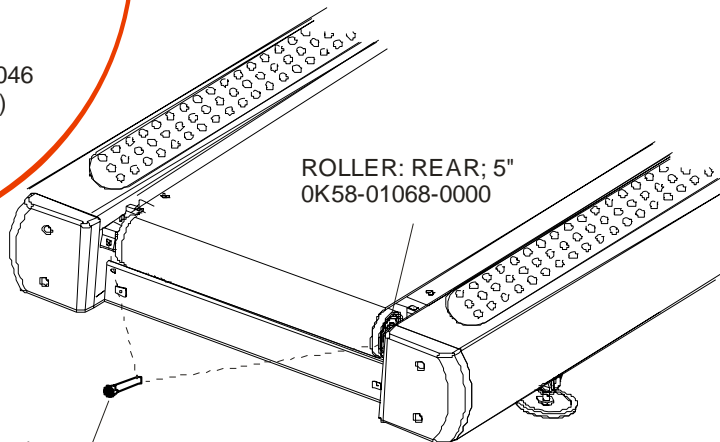
SPRING: TECSPAK,  
 BLACK S/C-B (8)  
 0K40-01026-0002

1/4 -20X16 HXS BUT  
 L CS G8 BO B (8)  
 0017-00101-1652

WSH 255-.562-046  
 FL-D ST ZN B (8)  
 0017-00104-0072



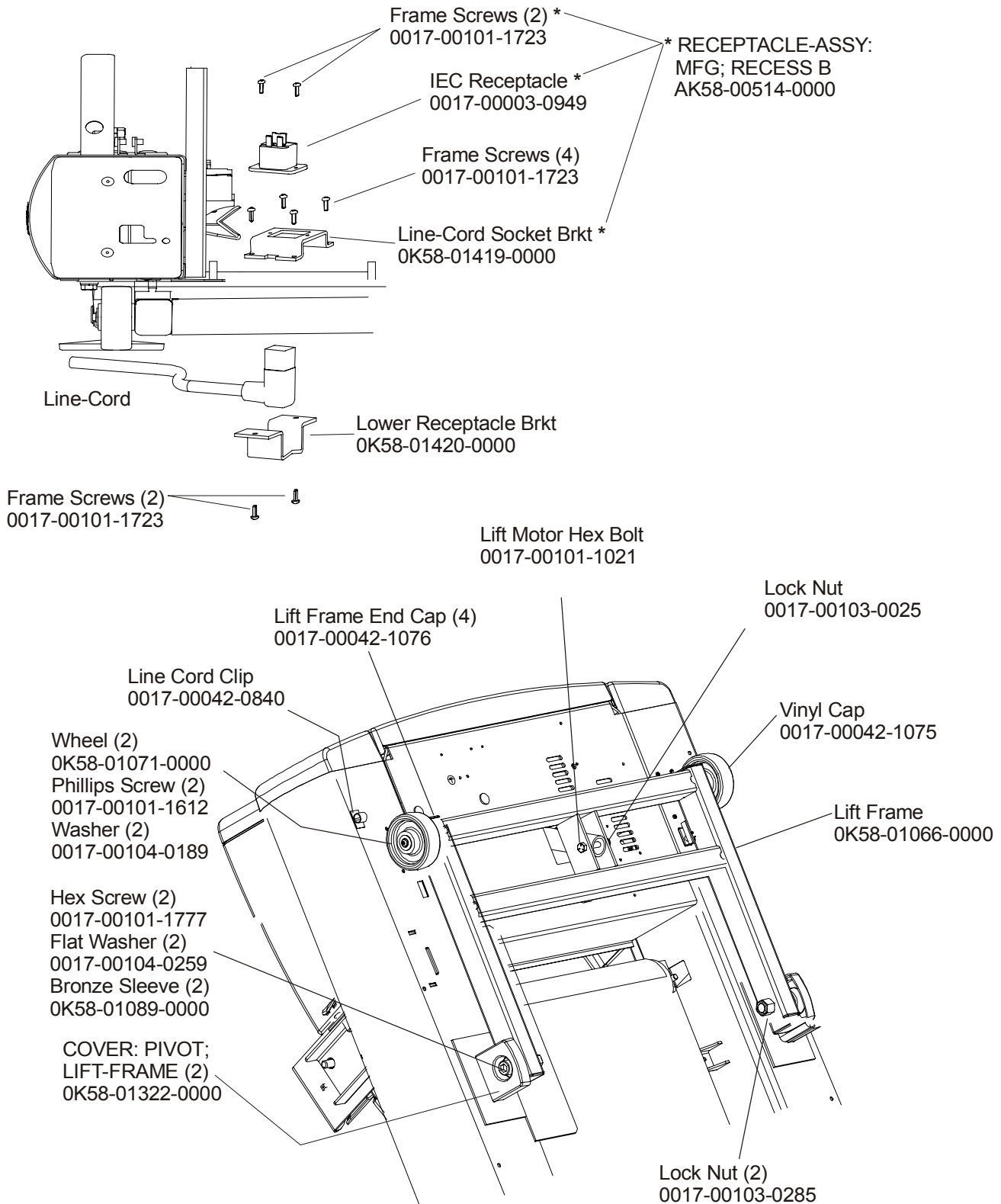
ROLLER: REAR; 5"  
 0K58-01068-0000

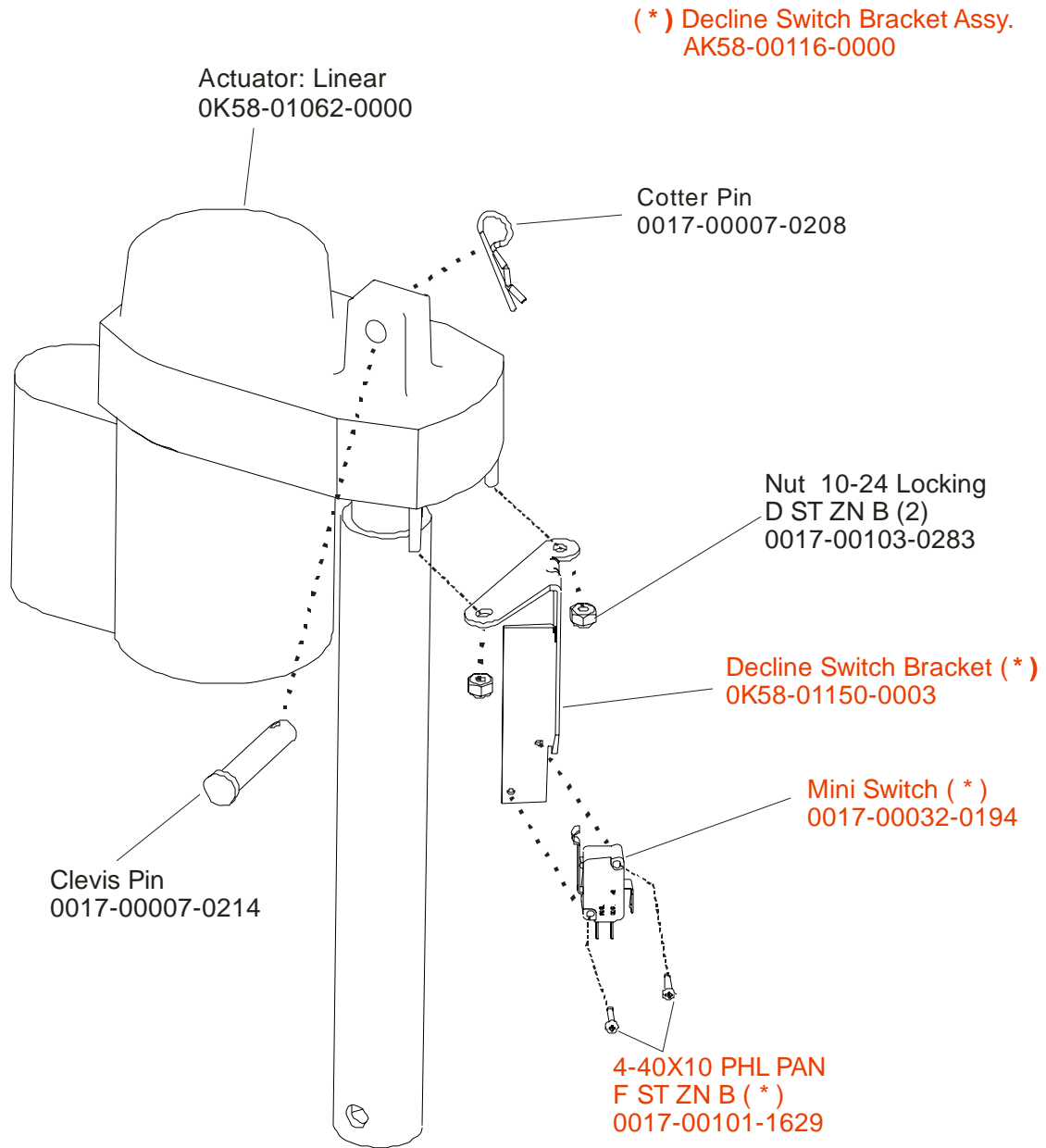


Rear Roller Adjusting Bolt ( 2 )  
 3/8 -16X48 HEX SOC L CS ST SS B  
 0017-00101-1880

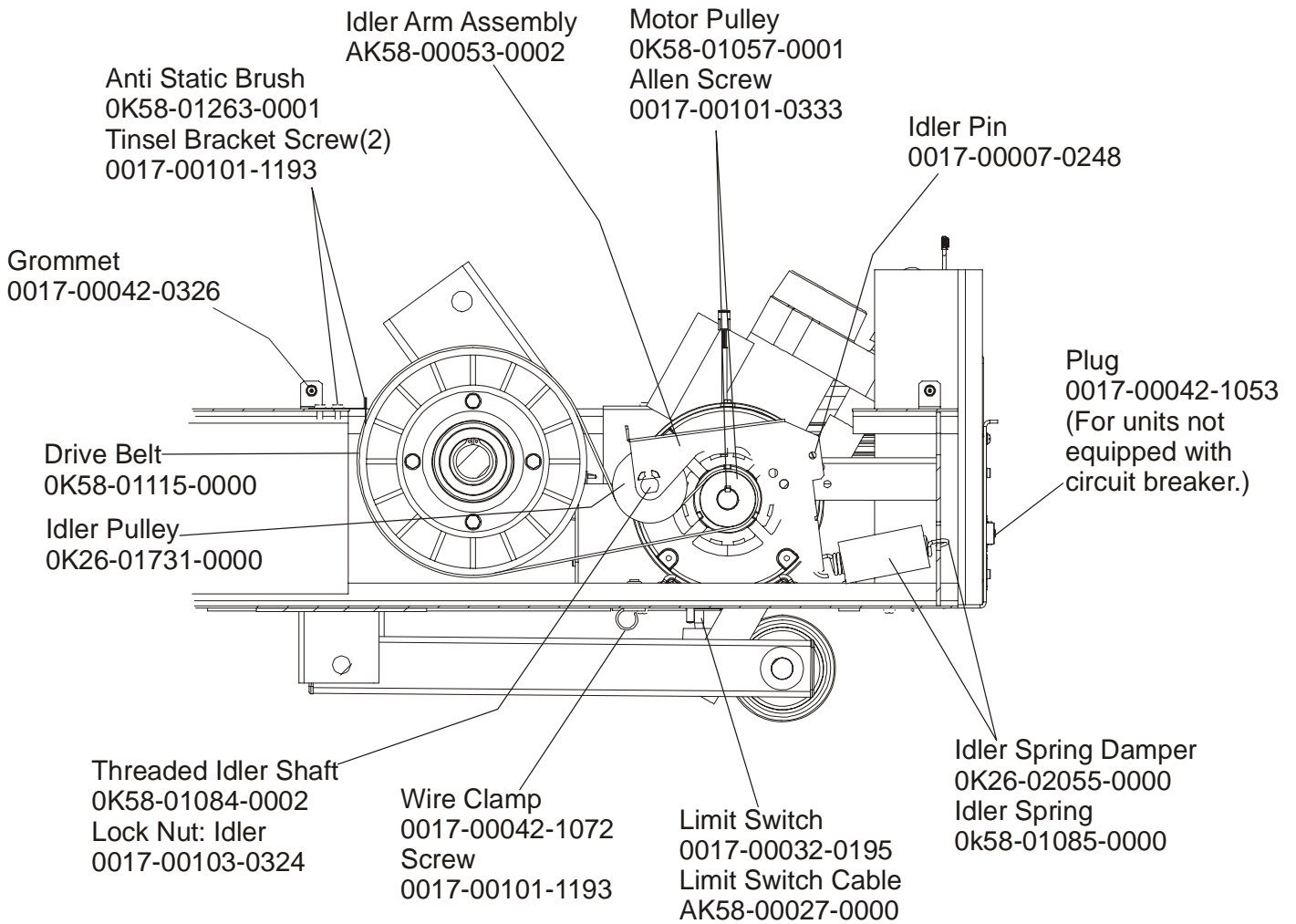
**ARCTIC SILVER 97T**  
**Lift Frame & Receptacle Assembly**

**97T-XXXX-07**  
**S/N TST100000 and up**



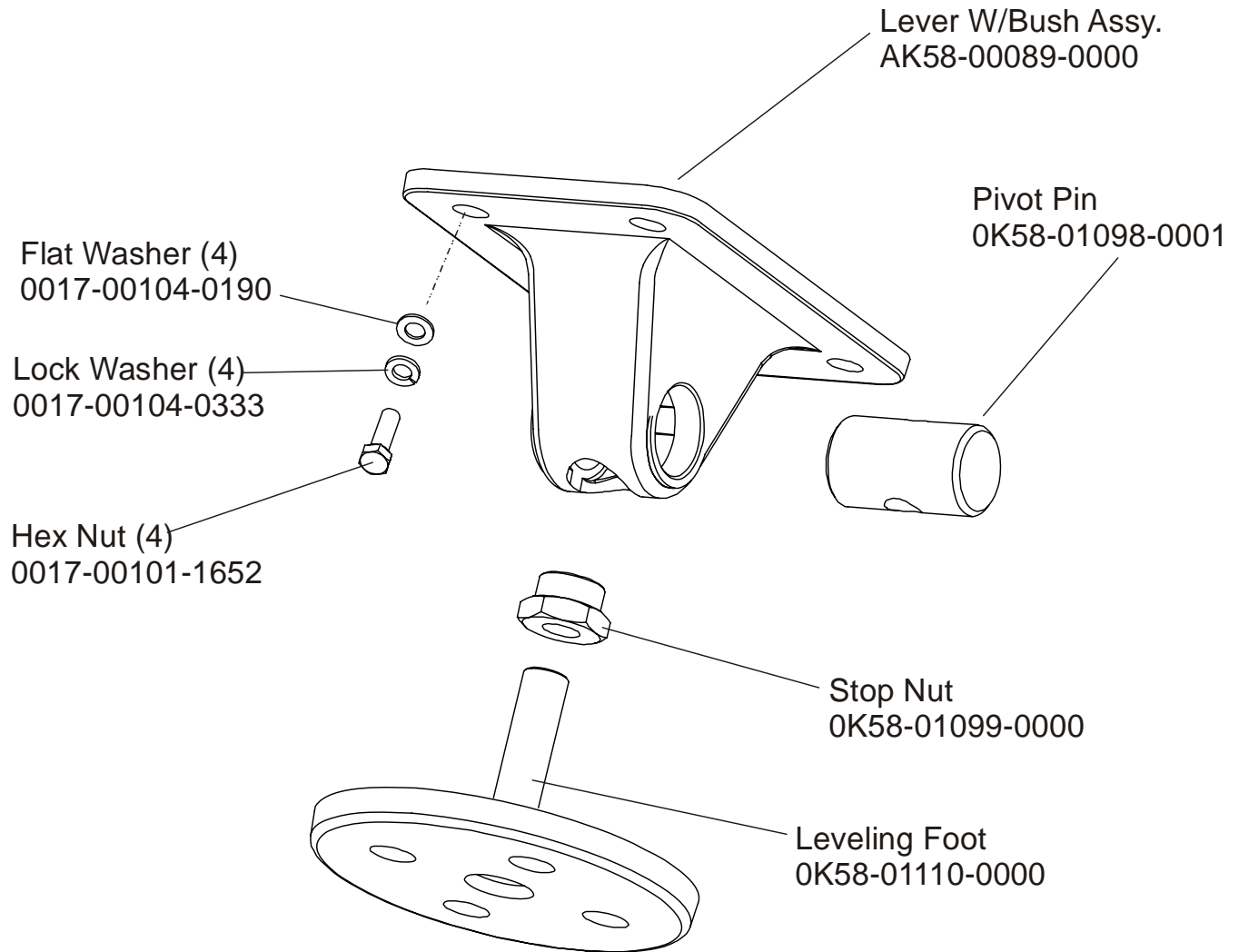






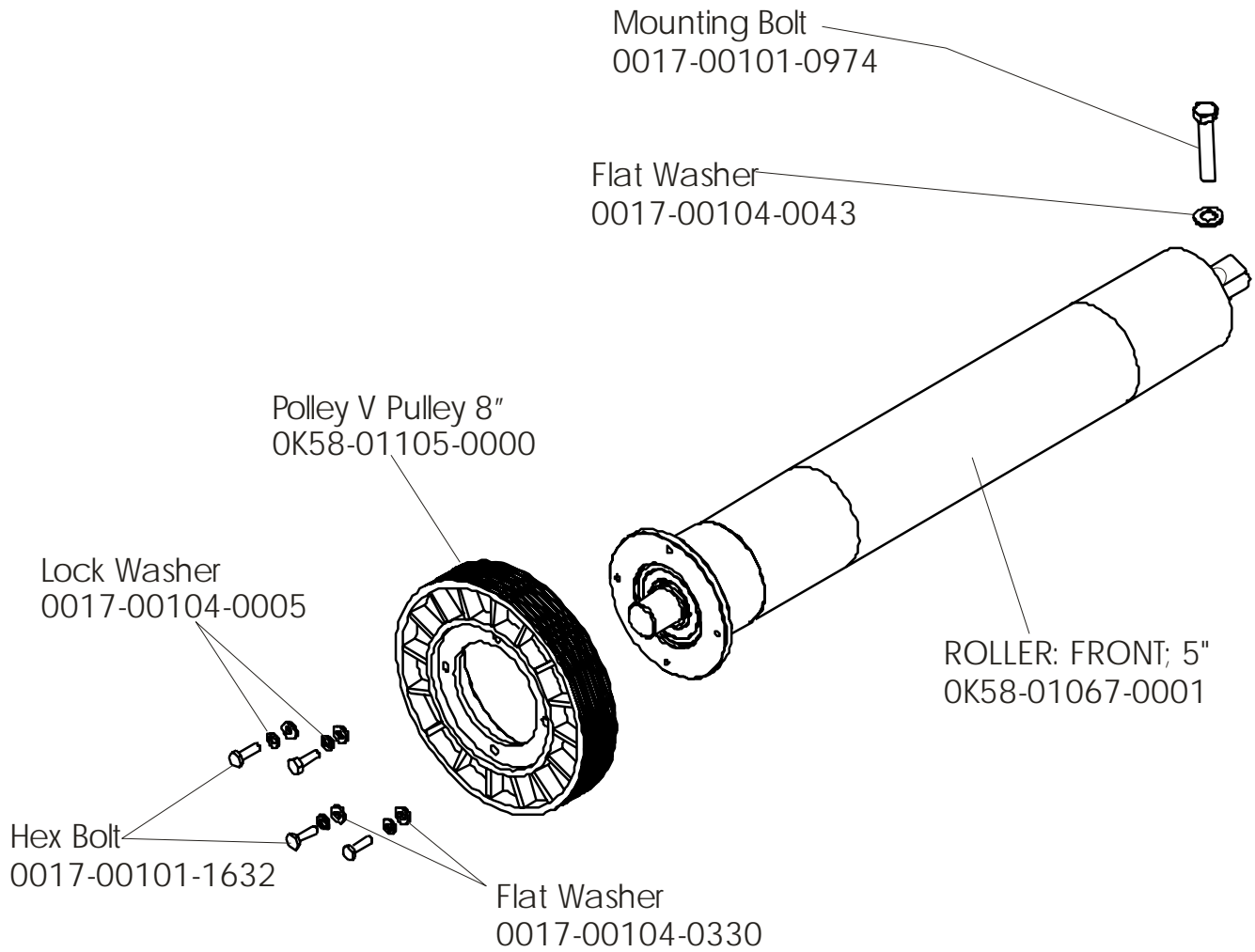
**ARCTIC SILVER 97T**  
**Leg Leveler Assembly – AK58-00464-0000**

**97T-XXXX-07**  
**S/N TST100000 and up**



**ARCTIC SILVER 97T**  
**Front Roller Assembly– AK58-00067-0000**

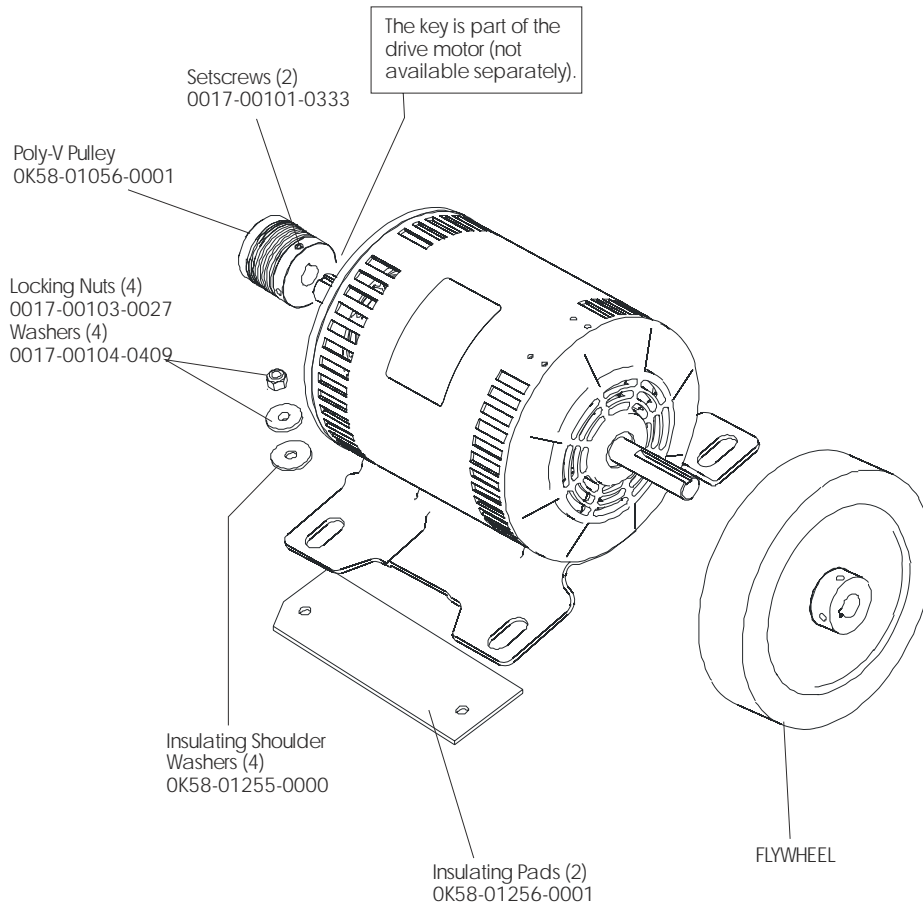
**97T-XXXX-07**  
**S/N TST100000 and up**



# ARCTIC SILVER 97T

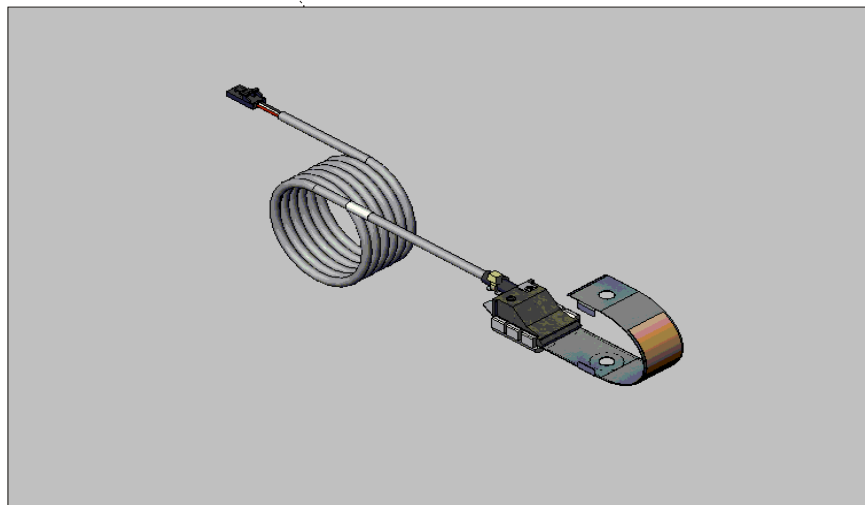
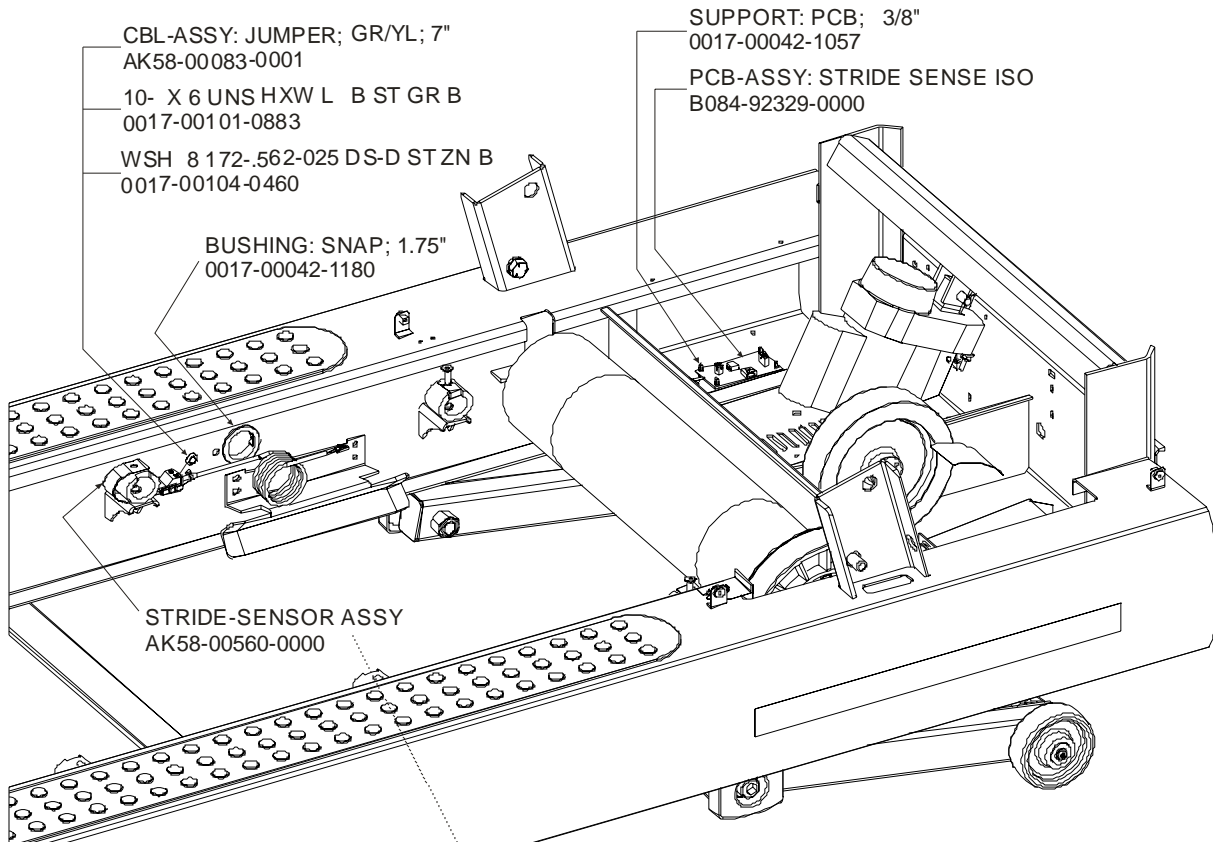
## Drive Motor Assembly

97T-XXXX-07  
S/N TST100000 and up



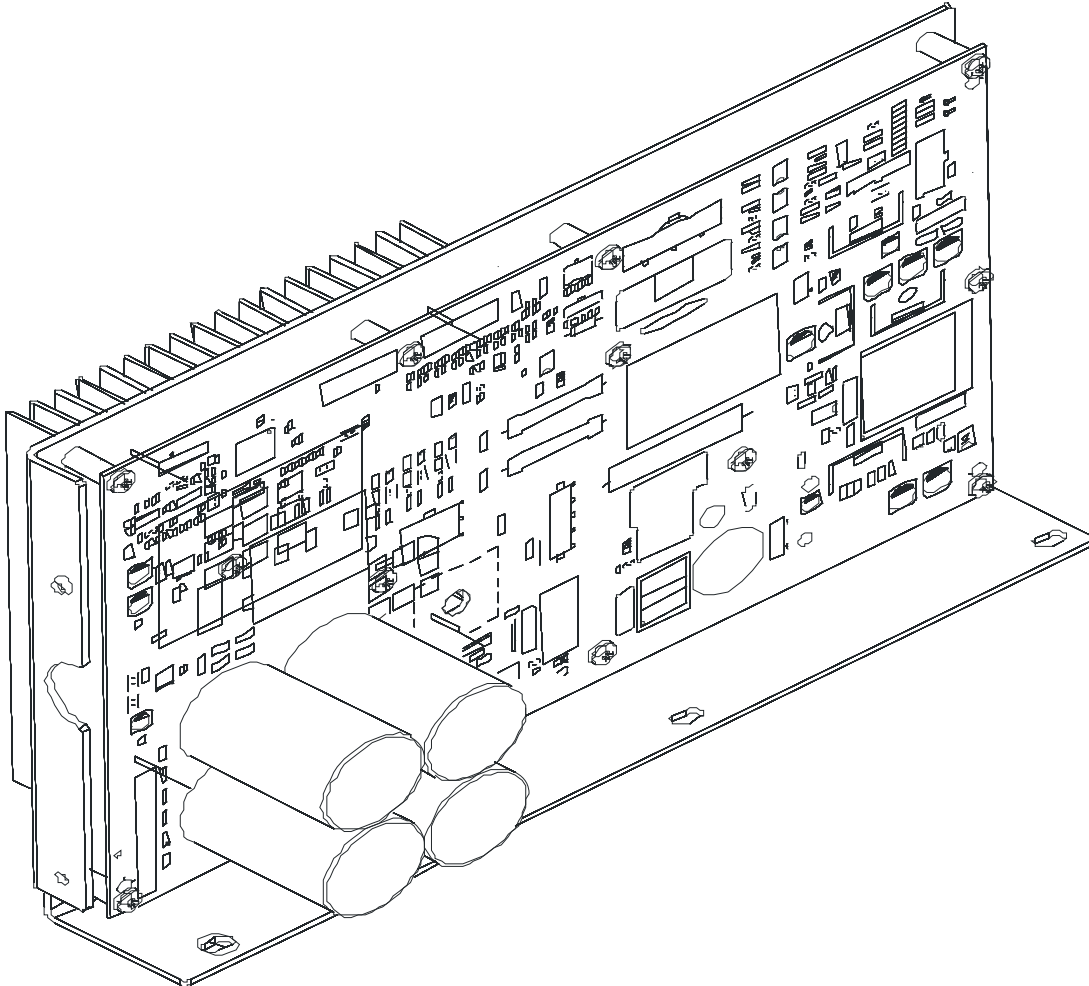
Description	Part Nos.	
	S/N TST100000—TST100343	S/N TST100344 and up
Drive Motor Assembly	AK58-00171-0001 (dual cable)	AK58-00171-0002 (tapered shaft)
Cast Iron Flywheel	OK58-01092-0002	OK58-01092-0004
Drive Motor Setscrews/Bolt	0017-00101-0975 (uses setscrews)	0017-00101-1885 (uses bolt)

Ref: technical bulletin TR07060101N



**ARCTIC SILVER 97T**  
**DSP-Controller Assembly**

**97T-XXXX-07**  
**S/N TST10000 and up**



VOLTAGE	PART NUMBER	PART DESCRIPTION
100-120	GK58-00002-0118	KIT: SERV; MFG; DSP CONTROLLER 100-120; LED
200-240	GK58-00002-0120	KIT: SERV; MFG; DSP CONTROLLER 200-240; LED

**ARCTIC SILVER 97T**  
**Line-Cords & Line Cord Options**

**97T-XXXX-07**  
**S/N TST100000 and up**

MODEL #	MODEL DESCRIPTION	STANDARD LINE CORDS
97T-0100-02	97T ENG/ENG 120/60 DOM	0017-00003-0974 LINE-CORD: R/A; 96"; W/RECP S/C-C
97T-0300-02	97T FRN/MET 120/60 DOM	
97T-0400-02	97T SPN/MET 120/60 DOM	
97T-0800-02	97T POR/MET 120/60 DOM	
97T-0103-02	97T ENG+MET 220/60 DOM	0017-00003-0781 LINE-CORD: R/A; 220V; USA D
97T-0105-02	97T ENG+MET 100/50 DOM	
97T-0106-02	97T ENG+MET 200/50 DOM	
97T-0705-02	97T JAP/MET 100/50 DOM	
97T-0706-02	97T JAP/MET 200/50 DOM	
97T-0101-02	97T ENG+MET 230/50 CON	0017-00003-0696 LINE-CORD: R/A; CEE7; 103" 10A 250V D
97T-0201-02	97T GER/MET 230/50 CON	
97T-0301-02	97T FRN/MET 230/50 CON	
97T-0401-02	97T SPN/MET 230/50 CON	
97T-0501-02	97T ITL/MET 230/50 CON	
97T-0601-02	97T DUT/MET 230/50 CON	
97T-0801-02	97T POR/MET 230/50 CON	
97T-1601-02	97T ENG/TUR 230/50 CON	
97T-0102-02	97T ENG+MET 240/50 UK	0017-00003-0890 LINE-CORD: U.K; R/A
97T-0109-02	97T ENG+MET 230/50 UK	
97T-0104-02	97T ENG+MET 240V+ AUS	0017-00003-0996 LINE-CORD: IEC; AUSTRALIAN; 230/50 C

OPTIONAL LINE CORDS		
0017-00003-0947	LINE-CORD: 120V; 20A;	12'
0017-00003-0915	LINE-CORD: R/A 120V	8'
0017-00003-0980	LINE-CORD: R/A; NEMA 5-20 144"	12'
0017-00003-0981	LINE-CORD: R/A; W/PLUG 220/60	7.5'
0017-00003-0948	LINE-CORD: 220V; 15A;	12'

# ARCTIC SILVER 97T

CABLES FOR UNITS BETWEEN 0100 - 0104

97T-XXXX-07

S/N TST100000 and up

PART NUMBER	PART DESCRIPTION	97T-XXXX-07				
		0100 120/60 DOM	0101 230/50 CON	0102 240/50 UK	0103 220/60 DOM	0104 240V+ CON
0017-00003-0626	CIRCUIT-BREAKER: 2A S/C#18-D		X	X	X	X
0017-00003-0898	FILTER: LINE; 10-AMP 4-SHT C		X	X		
0017-00003-0950	CIRCUIT-BREAKER: 4A S/C#18-D					
0017-00003-1015	FILTER: LINE; 20A 3-SHTS C	X			X	X
AK32-00020-0002	CBL-ASSY: COAX; 120" S/C-B	X	X	X	X	X
AK32-00078-0001	CBL-ASSY: PWR EXT; 120" S/C-C	X	X	X	X	X
AK58-00027-0000	CBL-ASSY: ZERO-SWITCH C	X	X	X	X	X
AK58-00031-0000	CBL-ASSY: SIDE-CONSOLE C	X	X	X	X	X
AK58-00032-0000	CBL-ASSY: USER SENSE PROX. C	X	X	X	X	X
AK58-00034-0001	CBL-ASSY: CONSOLE; PWR; UPR C	X	X	X	X	X
AK58-00036-0000	CBL-ASSY: EMERGENCY-STOP C	X	X	X	X	X
AK58-00041-0001	CBL-ASSY: H/R SENSORS C	X	X	X	X	X
AK58-00081-0000	CBL-ASSY: JUMPER; BLK; 4" B	X	X	X	X	X
AK58-00082-0000	CBL-ASSY: JUMPER; WHT; 6" B	X	X	X	X	X
AK58-00083-0000	CBL-ASSY: JUMPER; GR/YL; 5" B	X	X	X	X	X
AK58-00083-0001	CBL-ASSY: JUMPER; GR/YL; 7" B	X	X	X	X	X
AK58-00210-0000	XFRMR-BRKT ASSY: MFG. C		X	X	X	X
AK58-00224-0001	CBL-ASSY: MOV; FILTER C	X	X	X	X	X
AK58-00237-0000	CBL-ASSY: POLAR/E-STOP C	X	X	X	X	X
AK58-00263-0000	CBL-ASSY: HI-POT JUMPER B	X	X	X	X	X
AK58-00520-0000	CBL-ASSY: POWER; 100-200V C	X				
AK58-00522-0000	CBL-ASSY: JUMPER; POWER; LED-CONS B	X	X	X	X	X
AK58-00524-0000	CBL-ASSY: THERMAL ADAPTER B	X	X	X	X	X
AK58-00596-0001	CBL-ASSY: POWER; 230-240V; LED; S/C-C		X	X	X	X
AK58-00597-0000	CBL-ASSY: EXT ISO SENSOR C	X	X	X	X	X
AK58-00598-0000	CBL-ASSY: ISO POWER C	X	X	X	X	X
AK60-00009-0001	CBL-ASSY: ZERO-NEGATIVE SW; 15" S/C-C	X	X	X	X	X



**ARCTIC SILVER 97T****CABLES FOR UNITS BETWEEN 0105 - 0300****97T-XXXX-07****S/N TST100000 and up**

PART NUMBER	PART DESCRIPTION	97T-XXXX-07				
		0105 100/50 DOM	0106 200/50 DOM	0109 230/50 CON	0201 230/50 CON	0300 120/60 DOM
0017-00003-0626	CIRCUIT-BREAKER: 2A S/C#18-D		X	X	X	
0017-00003-0898	FILTER: LINE; 10-AMP 4-SHT C			X	X	
0017-00003-0950	CIRCUIT-BREAKER: 4A S/C#18-D	X				
0017-00003-1015	FILTER: LINE; 20A 3-SHTS C	X	X			X
AK32-00020-0002	CBL-ASSY: COAX; 120" S/C-B	X	X	X	X	X
AK32-00078-0001	CBL-ASSY: PWR EXT; 120" S/C-C	X	X	X	X	X
AK58-00027-0000	CBL-ASSY: ZERO-SWITCH C	X	X	X	X	X
AK58-00031-0000	CBL-ASSY: SIDE-CONSOLE C	X	X	X	X	X
AK58-00032-0000	CBL-ASSY: USER SENSE PROX. C	X	X	X	X	X
AK58-00034-0001	CBL-ASSY: CONSOLE; PWR; UPR C	X	X	X	X	X
AK58-00036-0000	CBL-ASSY: EMERGENCY-STOP C	X	X	X	X	X
AK58-00041-0001	CBL-ASSY: H/R SENSORS C	X	X	X	X	X
AK58-00081-0000	CBL-ASSY: JUMPER; BLK; 4" B	X	X	X	X	X
AK58-00082-0000	CBL-ASSY: JUMPER; WHT; 6" B	X	X	X	X	X
AK58-00083-0000	CBL-ASSY: JUMPER; GR/YL; 5" B	X	X	X	X	X
AK58-00083-0001	CBL-ASSY: JUMPER; GR/YL; 7" B	X	X	X	X	X
AK58-00210-0000	XFRMR-BRKT ASSY: MFG. C		X	X	X	
AK58-00224-0001	CBL-ASSY: MOV; FILTER C	X	X	X	X	X
AK58-00237-0000	CBL-ASSY: POLAR/E-STOP C	X	X	X	X	X
AK58-00263-0000	CBL-ASSY: HI-POT JUMPER B	X	X	X	X	X
AK58-00520-0000	CBL-ASSY: POWER; 100-200V C	X				X
AK58-00522-0000	CBL-ASSY: JUMPER; POWER; LED-CONS B	X	X	X	X	X
AK58-00524-0000	CBL-ASSY: THERMAL ADAPTER B	X	X	X	X	X
AK58-00596-0001	CBL-ASSY: POWER; 230-240V; LED; S/C-C		X	X	X	
AK58-00597-0000	CBL-ASSY: EXT ISO SENSOR C	X	X	X	X	X
AK58-00598-0000	CBL-ASSY: ISO POWER C	X	X	X	X	X
AK60-00009-0001	CBL-ASSY: ZERO-NEGATIVE SW; 15" S/C-C	X	X	X	X	X

**ARCTIC SILVER 97T****CABLES FOR UNITS BETWEEN 0301 - 0601****97T-XXXX-07****S/N TST100000 and up**

PART NUMBER	PART DESCRIPTION	97T-XXXX-07				
		0301 230/50 CON	0400 120/60 DOM	0401 230/50 CON	0501 230/50 CON	0601 230/50 CON
0017-00003-0626	CIRCUIT-BREAKER: 2A S/C#18-D	X		X	X	X
0017-00003-0898	FILTER: LINE; 10-AMP 4-SHT C	X		X	X	X
0017-00003-0950	CIRCUIT-BREAKER: 4A S/C#18-D					
0017-00003-1015	FILTER: LINE; 20A 3-SHTS C		X			
AK32-00020-0002	CBL-ASSY: COAX; 120" S/C-B	X	X	X	X	X
AK32-00078-0001	CBL-ASSY: PWR EXT; 120" S/C-C	X	X	X	X	X
AK58-00027-0000	CBL-ASSY: ZERO-SWITCH C	X	X	X	X	X
AK58-00031-0000	CBL-ASSY: SIDE-CONSOLE C	X	X	X	X	X
AK58-00032-0000	CBL-ASSY: USER SENSE PROX. C	X	X	X	X	X
AK58-00034-0001	CBL-ASSY: CONSOLE; PWR; UPR C	X	X	X	X	X
AK58-00036-0000	CBL-ASSY: EMERGENCY-STOP C	X	X	X	X	X
AK58-00041-0001	CBL-ASSY: H/R SENSORS C	X	X	X	X	X
AK58-00081-0000	CBL-ASSY: JUMPER; BLK; 4" B	X	X	X	X	X
AK58-00082-0000	CBL-ASSY: JUMPER; WHT; 6" B	X	X	X	X	X
AK58-00083-0000	CBL-ASSY: JUMPER; GR/YL; 5" B	X	X	X	X	X
AK58-00083-0001	CBL-ASSY: JUMPER; GR/YL; 7" B	X	X	X	X	X
AK58-00210-0000	XFRMR-BRKT ASSY: MFG. C	X		X	X	X
AK58-00224-0001	CBL-ASSY: MOV; FILTER C	X	X	X	X	X
AK58-00237-0000	CBL-ASSY: POLAR/E-STOP C	X	X	X	X	X
AK58-00263-0000	CBL-ASSY: HI-POT JUMPER B	X	X	X	X	X
AK58-00520-0000	CBL-ASSY: POWER; 100-200V C		X			
AK58-00522-0000	CBL-ASSY: JUMPER; POWER; LED-CONS B	X	X	X	X	X
AK58-00524-0000	CBL-ASSY: THERMAL ADAPTER B	X	X	X	X	X
AK58-00596-0001	CBL-ASSY: POWER; 230-240V; LED; S/C-C	X		X	X	X
AK58-00597-0000	CBL-ASSY: EXT ISO SENSOR C	X	X	X	X	X
AK58-00598-0000	CBL-ASSY: ISO POWER C	X	X	X	X	X
AK60-00009-0001	CBL-ASSY: ZERO-NEGATIVE SW; 15" S/C-C	X	X	X	X	X

**ARCTIC SILVER 97T****CABLES FOR UNITS BETWEEN 0705 - 1601****97T-XXXX-07****S/N TST100000 and up**

PART NUMBER	PART DESCRIPTION	97T-XXXX-07				
		0705 100/50 DOM	0706 200/50 DOM	0800 120/50 DOM	0801 230/50 CON	1601 230/50 CON
0017-00003-0626	CIRCUIT-BREAKER: 2A S/C#18-D		X		X	X
0017-00003-0898	FILTER: LINE; 10-AMP 4-SHT C				X	X
0017-00003-0950	CIRCUIT-BREAKER: 4A S/C#18-D					
0017-00003-1015	FILTER: LINE; 20A 3-SHTS C	X	X	X		
AK32-00020-0002	CBL-ASSY: COAX; 120" S/C-B	X	X	X	X	X
AK32-00078-0001	CBL-ASSY: PWR EXT; 120" S/C-C	X	X	X	X	X
AK58-00027-0000	CBL-ASSY: ZERO-SWITCH C	X	X	X	X	X
AK58-00031-0000	CBL-ASSY: SIDE-CONSOLE C	X	X	X	X	X
AK58-00032-0000	CBL-ASSY: USER SENSE PROX. C	X	X	X	X	X
AK58-00034-0001	CBL-ASSY: CONSOLE; PWR; UPR C	X	X	X	X	X
AK58-00036-0000	CBL-ASSY: EMERGENCY-STOP C	X	X	X	X	X
AK58-00041-0001	CBL-ASSY: H/R SENSORS C	X	X	X	X	X
AK58-00081-0000	CBL-ASSY: JUMPER; BLK; 4" B	X	X	X	X	X
AK58-00082-0000	CBL-ASSY: JUMPER; WHT; 6" B	X	X	X	X	X
AK58-00083-0000	CBL-ASSY: JUMPER; GR/YL; 5" B	X	X	X	X	X
AK58-00083-0001	CBL-ASSY: JUMPER; GR/YL; 7" B	X	X	X	X	X
AK58-00210-0000	XFRMR-BRKT ASSY: MFG. C		X		X	X
AK58-00224-0001	CBL-ASSY: MOV; FILTER C	X	X	X	X	X
AK58-00237-0000	CBL-ASSY: POLAR/E-STOP C	X	X	X	X	X
AK58-00263-0000	CBL-ASSY: HI-POT JUMPER B	X	X	X	X	X
AK58-00520-0000	CBL-ASSY: POWER; 100-200V C	X		X		
AK58-00522-0000	CBL-ASSY: JUMPER; POWER; LED-CONS B	X	X	X	X	X
AK58-00524-0000	CBL-ASSY: THERMAL ADAPTER B	X	X	X	X	X
AK58-00596-0001	CBL-ASSY: POWER; 230-240V; LED; S/C-C		X		X	X
AK58-00597-0000	CBL-ASSY: EXT ISO SENSOR C	X	X	X	X	X
AK58-00598-0000	CBL-ASSY: ISO POWER C	X	X	X	X	X
AK60-00009-0001	CBL-ASSY: ZERO-NEGATIVE SW; 15" S/C-C	X	X	X	X	X

## Free Manuals Download Website

<http://myh66.com>

<http://usermanuals.us>

<http://www.somanuals.com>

<http://www.4manuals.cc>

<http://www.manual-lib.com>

<http://www.404manual.com>

<http://www.luxmanual.com>

<http://aubethermostatmanual.com>

Golf course search by state

<http://golfingnear.com>

Email search by domain

<http://emailbydomain.com>

Auto manuals search

<http://auto.somanuals.com>

TV manuals search

<http://tv.somanuals.com>