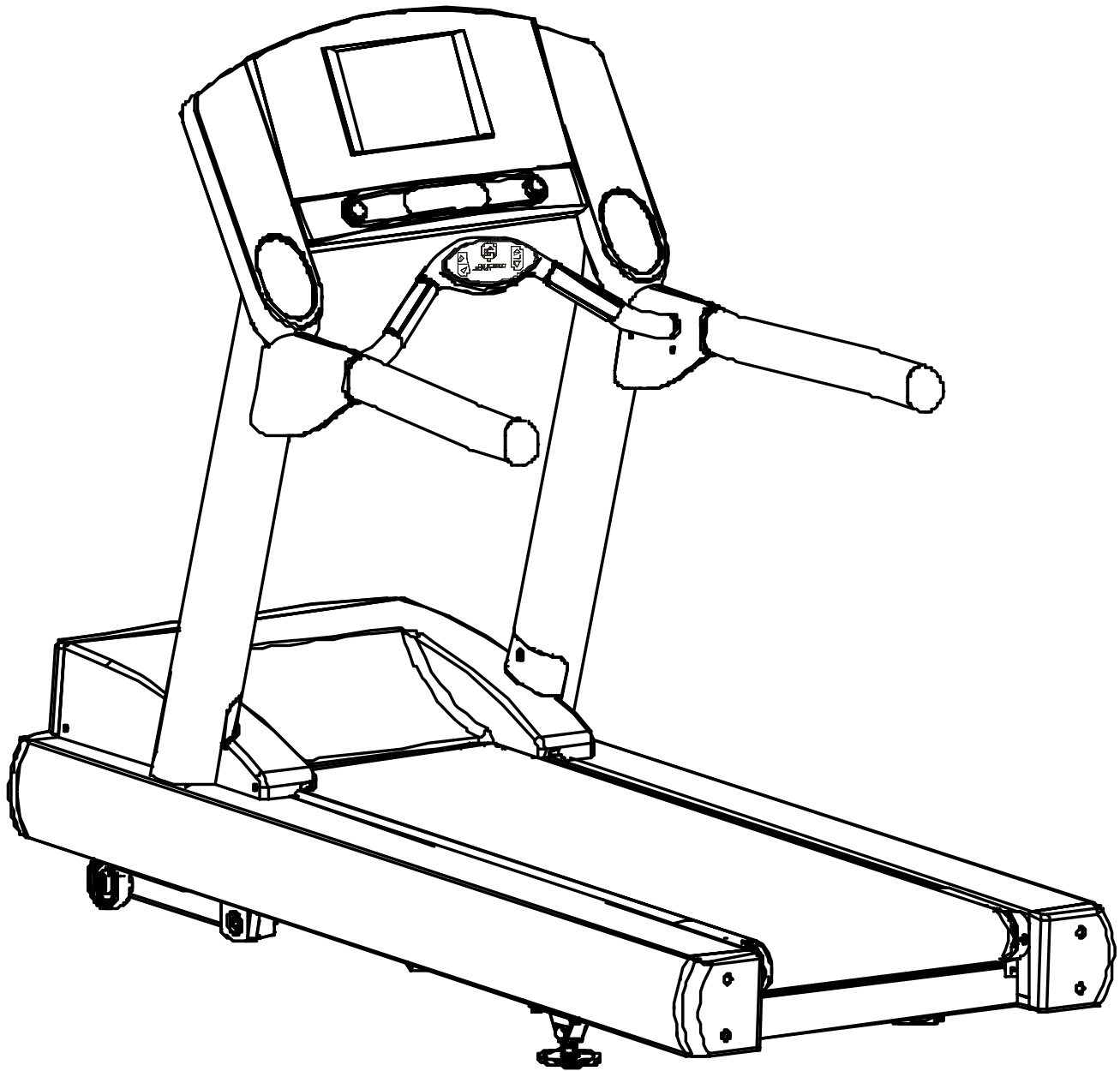


# *LifeFitness*

**ARCTIC SILVER 97TE TREADMILL**



## **Customer Support Services** ***PARTS MANUAL*** rev 30 May 2008

<b>PLEASE NOTE:</b> <b>ALL OPERATION, INSTRUCTION ASSY &amp; INSTRUCTION BAG ASSY MAY NOT AVAILABLE</b>				
<b>LANGUAGE</b>	<b>OPERATION MANUAL</b>	<b>INSTRUCTION ASSEMBLY</b>	<b>INSTRUCTION BAG ASSY.</b>	<b>SERVICE MANUAL</b>
ENGLISH	M051-00K58-A276	M051-00K58-A322	AK58-00579-0000	M051-00K58-A254
FRENCH	M051-00K58-A277	M051-00K58-A323	AK58-00579-0001	
PORTUGUESE				
SPANISH				
DUTCH				
GERMAN	M051-00K58-A278	M051-00K58-A324	AK58-00579-0002	
ITALIAN	M051-00K58-A279	M051-00K58-A325	AK58-00579-0003	
JAPANESE				

<b>AK58-00226-0000</b>	<b>HDWR-BAG ASSY: MFG;95T/97T</b>	
<b>Item</b>	<b>Description</b>	<b>Qty</b>
0K58-01305-0002	PLUG: UPRIGHT S/C-C	2
0K58-01347-0000	GASKET: ERGOBAR C	2
0017-00009-1049	WRENCH: TORX; T27 B	1
0017-00042-0326	GROMMET: PLASTI; .130/.005 S/C#13-B	2
0017-00042-0840	CLIP: WIRE; PUSH-MTG; 3/4"; S/C#80-B	5
0017-00101-1770	8-15X 8 PHL PAN A SS NO B	6
0017-00101-1772	10-16X 8 PHL PAN B ST ZS B	6
0017-00101-1773	1/4 -20X 8 TRX BUT CS SS NO B	6
0017-00101-1774	5/16-18X40 TRX FLT CS ST ZS B	4
0017-00101-1778	1/2 -13X16 UNS HEX CS G5 ZB B	4
0017-00101-1780	8- X20 PHL TRS AB SS NO B	8
0017-00104-0325	WSH 516-.873-125 SL-D ST ZN B	4
0017-00103-0327	NUT 5/16-18 HEX; JAM D ST ZS B	4

<b>GK58-00002-0096 KIT: SERV; ROLLER-GUARDS; 97Ti BM</b>		
<b>" Parts that are included in this kit is as follows "</b>		
Part Number	Description	Qty
AK58-00361-0001	GUARD-ASSY: MFG; RT; 5.00 B	1
AK58-00361-0002	GUARD-ASSY: MFG; LT; 5.00 B	1
M051-00K58-B128	INSTR: SERV; ROLLER-GUARDS +	1
0017-00042-0326	GROMMET: PLASTI; .130/.005 S/C#13-B	2
0017-00042-1147	GROMMET: NYLON; SCREW B	2
0017-00101-1776	10-16X 8 PHL PAN B ST ZB B	4

<b>GK58-00002-0071 KIT: SERV; ANTI-SLIP RAIL BM</b>		
Part Number	Description	Qty
Only available in the kit	INSTR:TEMPLT; ANTI-SLIP RAIL B	4
Only available in the kit	INSTR: KIT; ANTI-SLIP RAIL +	1
0K58-01376-0000	RAIL: ANTI-SLIP;STEALTH-GREY E	2
Only available in the kit	PAD: WIPE; ALCOHOL/DRY B	1

<b>TOUCH UP PAINT:</b>		
0017-00008-0204	PAINT: CAN; SPRAY; ARCTIC SILVER	
0017-00008-0205	PAINT: BOTTLE; ARCTIC SILVER ( .5 OZ )	
0017-00008-0206	PAINT: PEN; ARCTIC SILVER ( .33 OZ )	

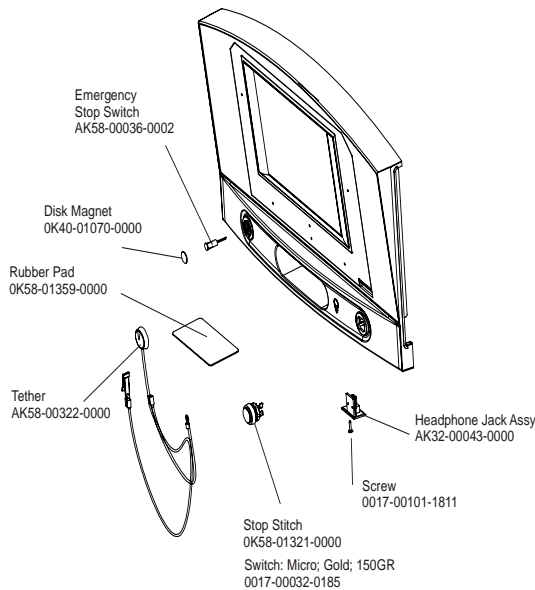
<b>INK TRANSFER TOUCH-UP PAINT: SB No. GN05032101N</b>		
0017-00008-0210	PAINT: TOUCH-UP; SHADOW-GRAY; .6 OZ BTL.	
0017-00008-0211	PAINT: TOUCH-UP; SHADOW-GRAY; .6 OZ. PEN	

	Page
CONSOLE, OVERLAY ASSEMBLY & OVERLAY.....	5
CONSOLE COMPONENTS .....	6
CONSOLE COMPONENTS CONTINUED .....	7
UPRIGHTS & HANDRAILS .....	8
ERGO BAR, HEART RATE SENSORS & ACTIVITY ZONE .....	9
A-Z MODULE WITH OVERLAY ASSY .....	10
REAR ENDCAPS & CUP HOLDERS .....	11
MOTOR COVER, FRONT COVER & ENDCAPS.....	12
SCUFF PAD & TINSEL.....	13
ON-OFF SWITCH, ACCESS PLATE & GROMMETS.....	14
BELT, DECK & REAR ROLLER.....	15
LIFT FRAME, LIFT MOTOR & IEC RECEPTACLE.....	16
IDLER ARM ASSEMBLY .....	17
LEG LEVELER ASSEMBLY .....	18
FRONT ROLLER ASSEMBLY .....	19
DRIVE MOTOR ASSEMBLY .....	20
STRIDE SENSOR ASSY & STRIDE SENSOR PCB ASSY.....	21
DSP-CONTROLLER ASSEMBLY .....	22
LINE-CORDS & LINE-CORD OPTIONS.....	23
CABLES FOR UNITS BETWEEN 0100 - 0104.....	24
CABLES FOR UNITS BETWEEN 0105 - 0300.....	25
CABLES FOR UNITS BETWEEN 0301 - 0601.....	26
CABLES FOR UNITS BETWEEN 0705 - 0801.....	27

# ARCTIC SILVER 97TE

## Console, Overlay Assembly & Overlay

**97TE-XXXX-07**  
**S/N TSV100000 and up**

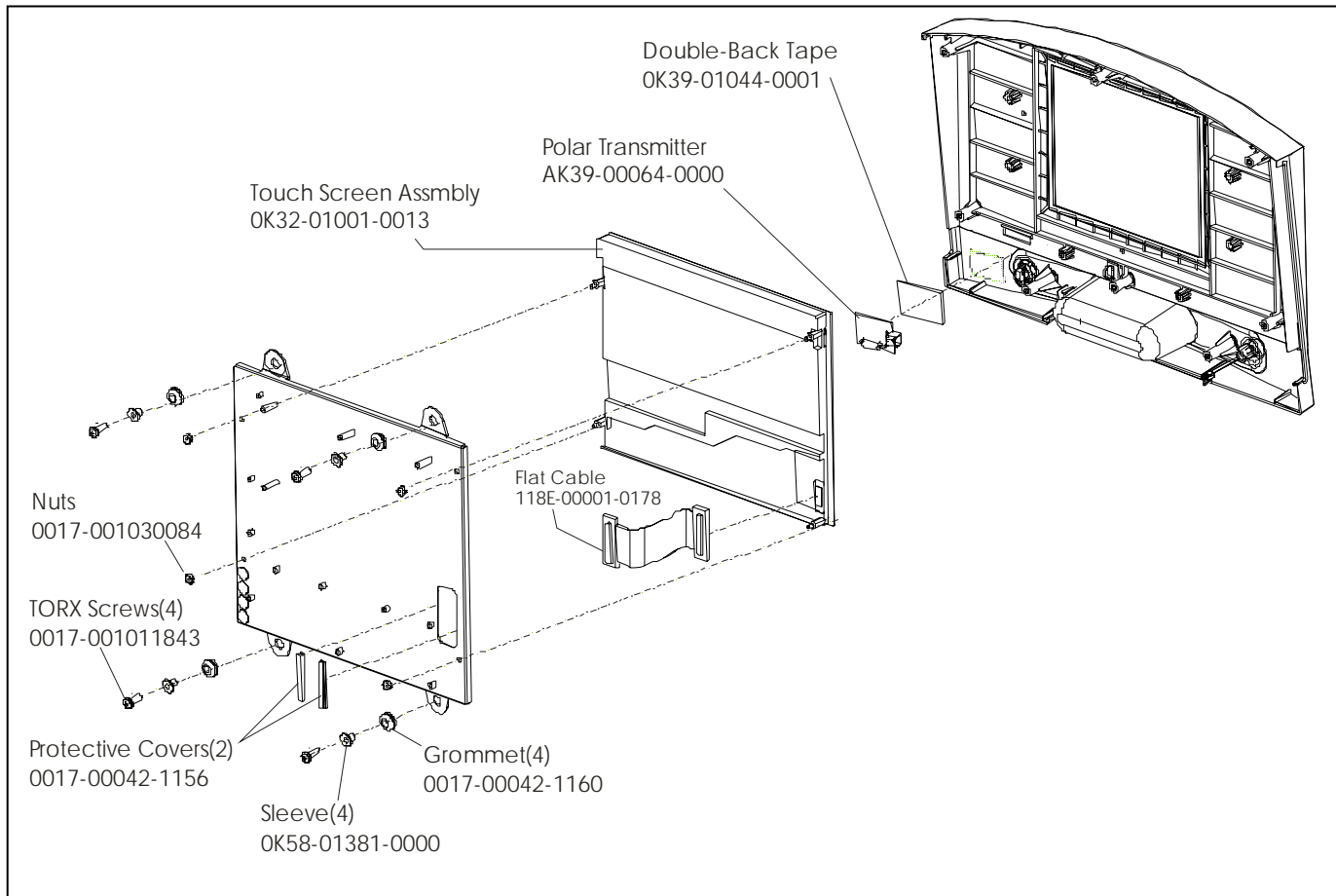


CONSOLE ASSEMBLY	
Part Number	Description
GK58-00002-0099	KIT: SERV; CONS; MFG; W/FM; <b>NTSC</b> ; 95/97Te <b>ENG</b>
GK58-00002-0100	KIT: SERV; CONS; MFG; W/FM; <b>NTSC</b> ; 95/97Te <b>SPN</b>
GK58-00002-0101	KIT: SERV; CONS; MFG; W/FM; <b>NTSC</b> ; 95/97Te <b>JAP</b>
GK58-00002-0102	KIT: SERV; CONS; MFG; W/FM; <b>NTSC</b> ; 95/97Te <b>FRN</b>
GK58-00002-0103	KIT: SERV; CONS; MFG; W/FM; <b>NTSC</b> ; 95/97Te <b>POR</b>
GK58-00002-0104	KIT: SERV; CONS; MFG; W/FM; <b>PAL</b> ; 95/97Te <b>ENG</b>
GK58-00002-0105	KIT: SERV; CONS; MFG; W/FM; <b>PAL</b> ; 95/97Te <b>GER</b>
GK58-00002-0106	KIT: SERV; CONS; MFG; W/FM; <b>PAL</b> ; 95/97Te <b>SPN</b>
GK58-00002-0107	KIT: SERV; CONS; MFG; W/FM; <b>PAL</b> ; 95/97Te <b>FRN</b>
GK58-00002-0108	KIT: SERV; CONS; MFG; W/FM; <b>PAL</b> ; 95/97Te <b>ITAL</b>
GK58-00002-0109	KIT: SERV; CONS; MFG; W/FM; <b>PAL</b> ; 95/97Te <b>DUT</b>
GK58-00002-0110	KIT: SERV; CONS; MFG; W/FM; <b>PAL</b> ; 95/97Te <b>POR</b>
GK58-00002-0111	KIT: SERV; CONS; MFG; W/FM; <b>PAL</b> ; 95/97Te <b>TUR</b>

### PLEASE NOTE:

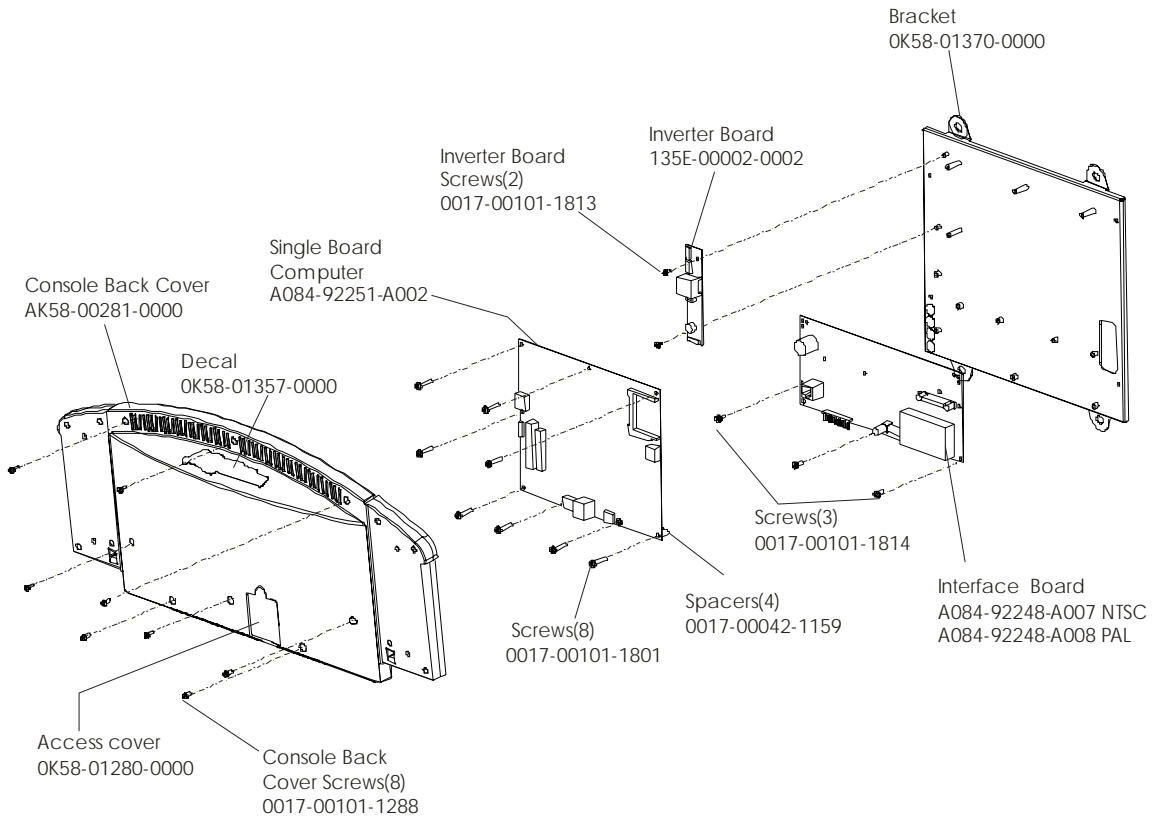
**ALL CONSOLE, OVERLAY/BEZEL ASSY OR OVERLAY  
MAY NOT BE AVAILABLE**

OVERLAY BEZEL ASSEMBLY		OVERLAY	
Part Number	Part Number	Description	Part Number
AK58-00516-0001	BZL/SW W/OVERLAY ASSY; 95Te; <b>NTSC ENG</b>	OK58-01377-0001	OVERLAY: CONS; 95Te/97Te; <b>ENG</b>
AK58-00516-0004	BZL/SW W/OVERLAY ASSY; 95Te; <b>NTSC SPN</b>	OK58-01377-0004	OVERLAY: CONS; 95Te/97Te; <b>SPN</b>
AK58-00516-0006	BZL/SW W/OVERLAY ASSY; 95Te; <b>NTSC JAP</b>	OK58-01377-0006	OVERLAY: CONS; 95Te/97Te; <b>JAP</b>
AK58-00516-0007	BZL/SW W/OVERLAY ASSY; 95Te; <b>NTSC FRN</b>	OK58-01377-0007	OVERLAY: CONS; 95Te/97Te; <b>FRN</b>
AK58-00516-0010	BZL/SW W/OVERLAY ASSY; 95Te; <b>NTSC POR</b>	OK58-01377-0010	OVERLAY: CONS; 95Te/97Te; <b>POR</b>
AK58-00517-0001	BZL/SW W/OVERLAY ASSY; 95Te; <b>PAL ENG</b>	OK58-01377-0001	OVERLAY: CONS; 95Te/97Te; <b>ENG</b>
AK58-00517-0003	BZL/SW W/OVERLAY ASSY; 95Te; <b>PAL GER</b>	OK58-01377-0003	OVERLAY: CONS; 95Te/97Te; <b>GER</b>
AK58-00517-0004	BZL/SW W/OVERLAY ASSY; 95Te; <b>PAL SPN</b>	OK58-01377-0004	OVERLAY: CONS; 95Te/97Te; <b>SPN</b>
AK58-00517-0007	BZL/SW W/OVERLAY ASSY; 95Te; <b>PAL FRN</b>	OK58-01377-0007	OVERLAY: CONS; 95Te/97Te; <b>FRN</b>
AK58-00517-0008	BZL/SW W/OVERLAY ASSY; 95Te; <b>PAL ITL</b>	OK58-01377-0008	OVERLAY: CONS; 95Te/97Te; <b>ITL</b>
AK58-00517-0009	BZL/SW W/OVERLAY ASSY; 95Te; <b>PAL DUT</b>	OK58-01377-0009	OVERLAY: CONS; 95Te/97Te; <b>DUT</b>
AK58-00517-0010	BZL/SW W/OVERLAY ASSY; 95Te; <b>PAL POR</b>	OK58-01377-0010	OVERLAY: CONS; 95Te/97Te; <b>POR</b>



**ARCTIC SILVER 97TE**  
**Console Components - Continued**

**97TE-XXXX-07**  
**S/N TSV100000 and up**

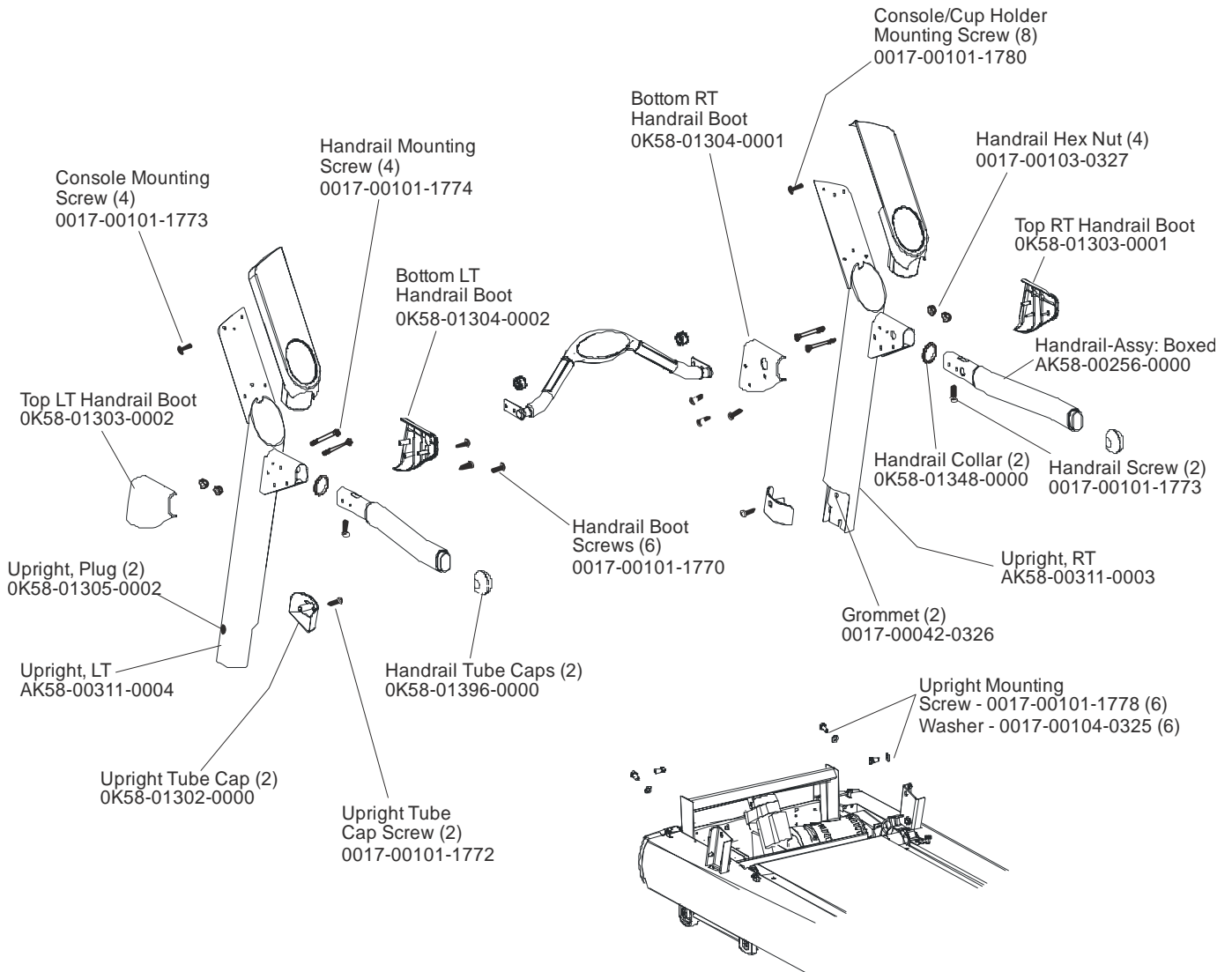


# ARCTIC SILVER 97TE

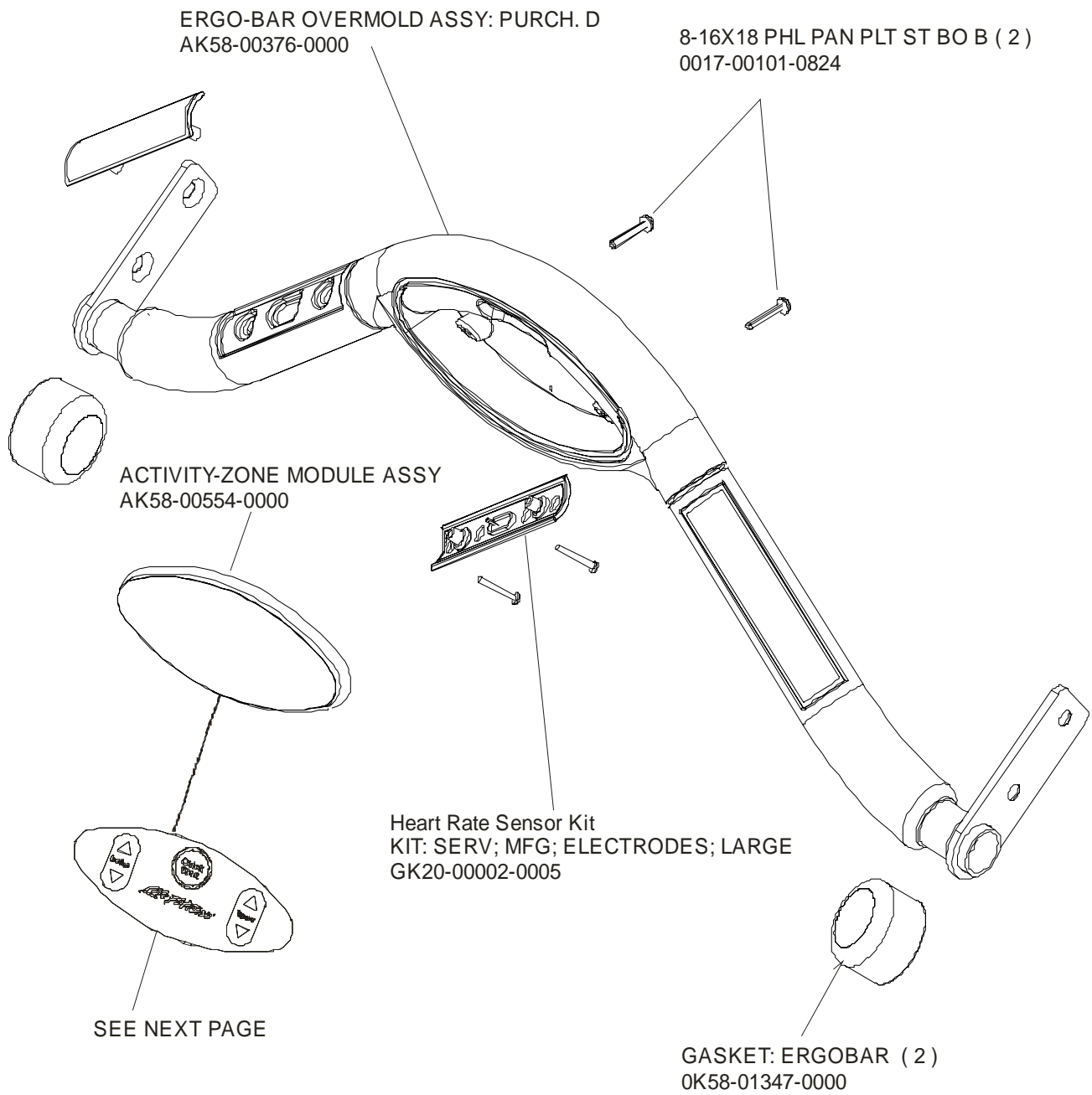
## Uprights & Handrails

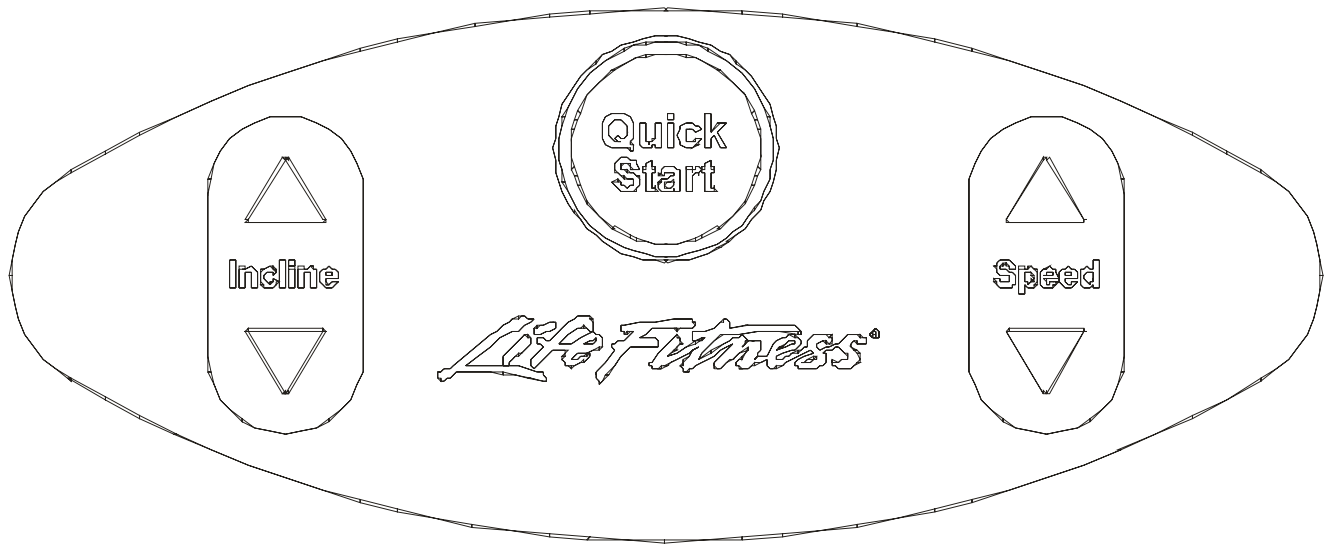
97TE-XXXX-07

S/N TSV100000 and up









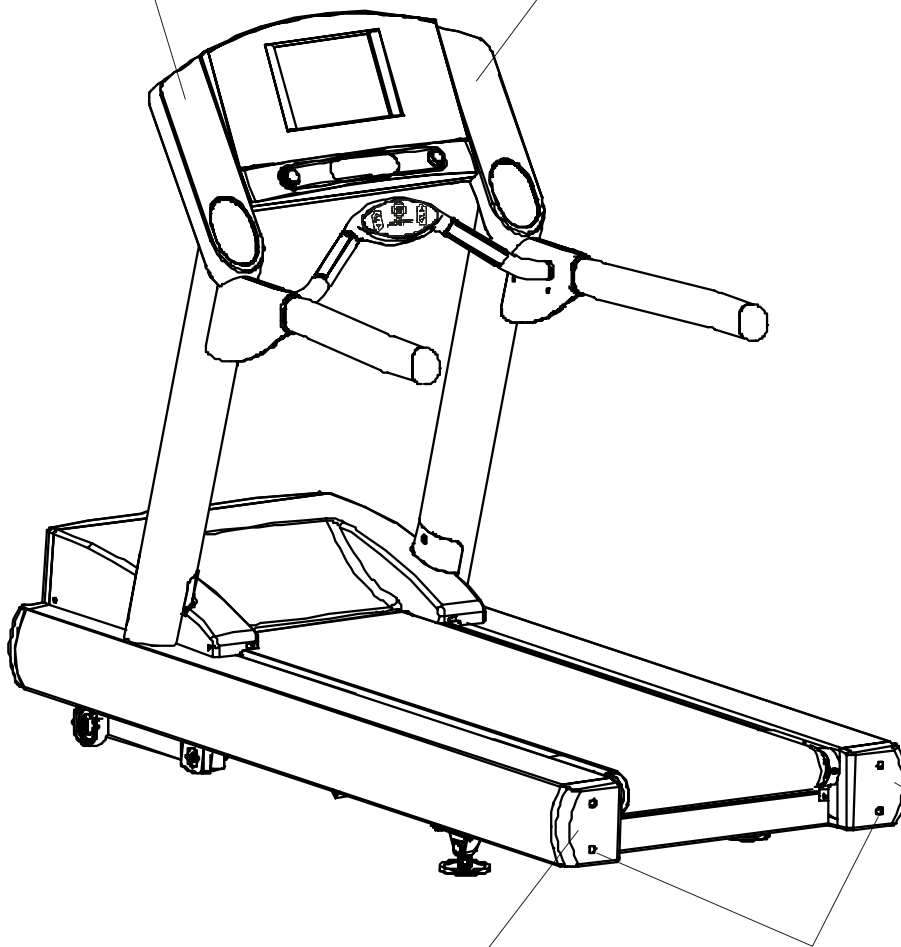
<b>PLEASE NOTE:</b>		
<b>ALL ACTIVITY-ZONES AND/OR OVERLAYS</b>		
<b>MAY NOT BE AVAILABLE</b>		
<b>LANGUAGE</b>	<b>A-Z MODULE W/OVERLAY ASSY</b>	<b>AZ OVERLAY</b>
ENG/ENG	AK58-00556-0001	OK58-01461-0001
ENG+MET	AK58-00556-0002	OK58-01461-0002
GERMAN	AK58-00556-0003	OK58-01461-0003
SPANISH	AK58-00556-0004	OK58-01461-0004
JAPANESE	AK58-00556-0006	OK58-01461-0006
FRENCH	AK58-00556-0007	OK58-01461-0007
ITALIAN	AK58-00556-0008	OK58-01461-0008
DUTCH	AK58-00556-0009	OK58-01461-0009
PORUGUESE	AK58-00556-0010	OK58-01461-0010

**ARCTIC SILVER 97TE**  
**Rear End Caps & up Holders**

**97TE-XXXX-07**  
**S/N TSV100000 and up**

CUP-COVER ASSY, LT  
AK58-00247-0002

CUP-COVER ASSY, RT  
AK58-00247-0001



ENDCAP: REAR  
0K58-01268-0000

ENDCAP: REAR  
0K58-01268-0000

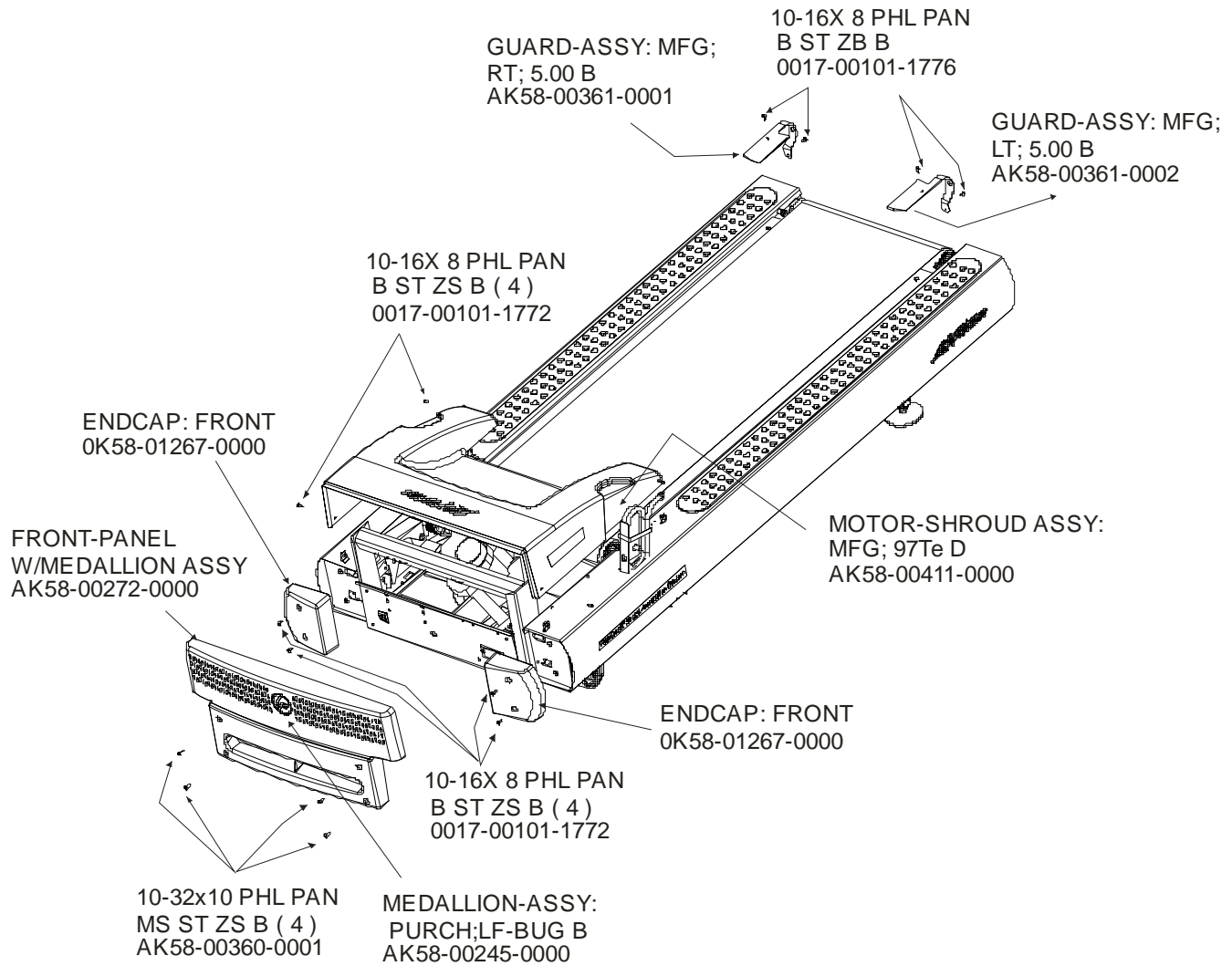
Qty needed ( 4 )  
10-16X 8 PHL PAN  
B ST ZS B  
0017-00101-1772

# ARCTIC SILVER 97TE

## Motor Cover, Front Cover & Front End Caps

97TE-XXXX-07

S/N TSV100000 and up

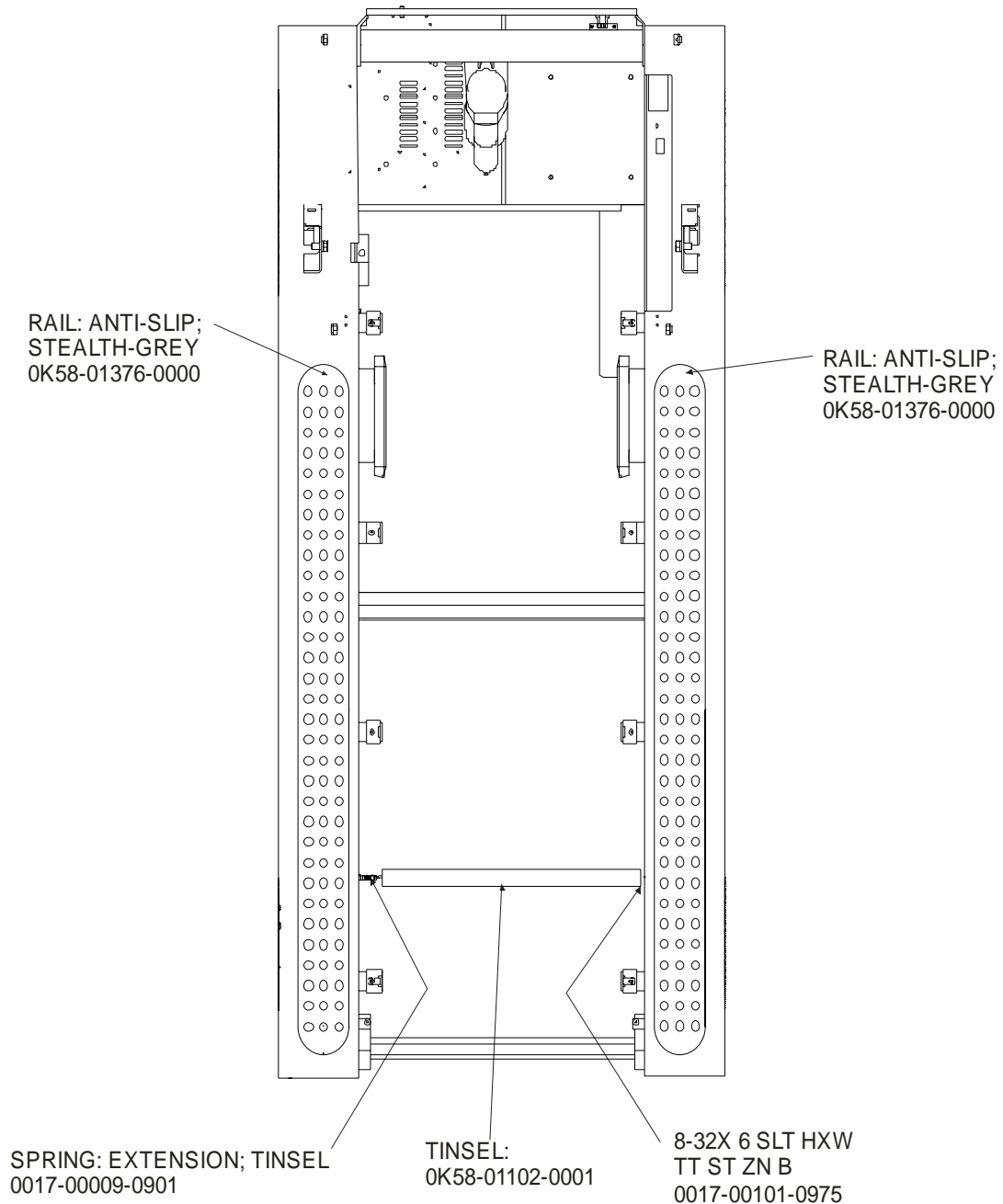


# ARCTIC SILVER 97TE

## Scuff Pad & Tinsel

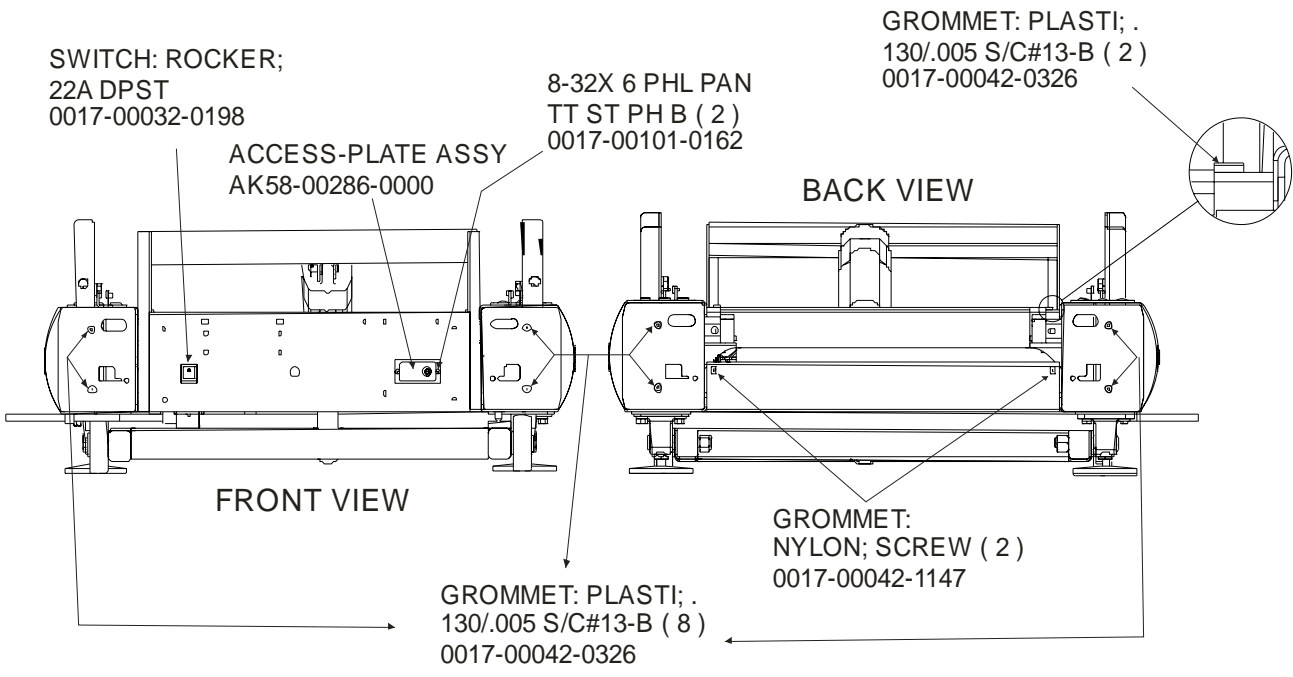
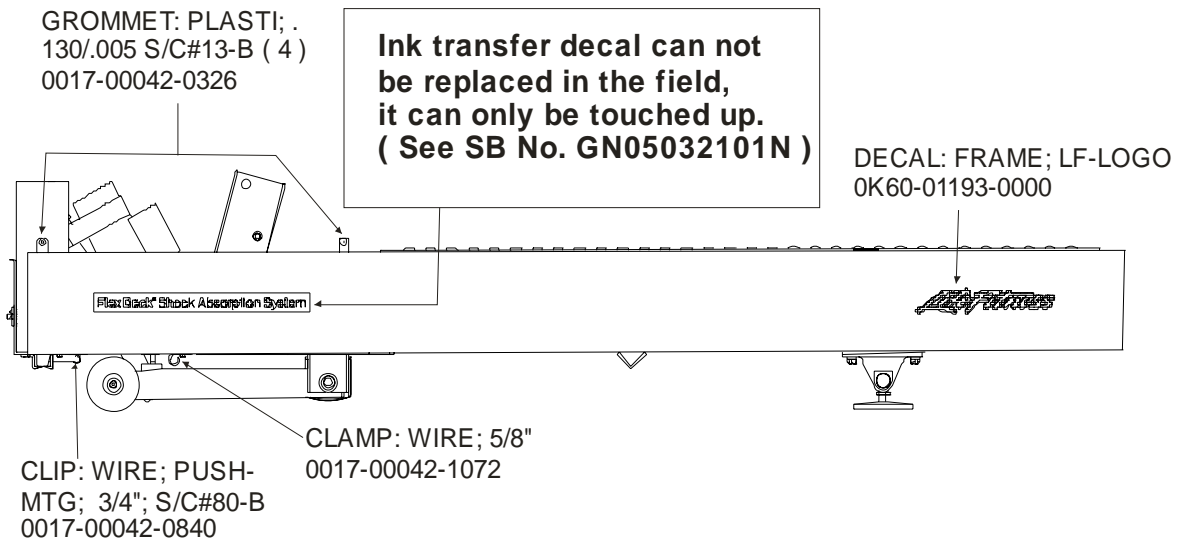
97TE-XXXX-07

S/N TSV100000 and up



**ARCTIC SILVER 97TE**  
**On-Off Switch, Access Plate & Grommets**

**97TE-XXXX-07**  
**S/N TSV100000 and up**



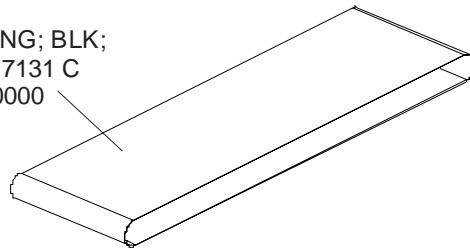
# ARCTIC SILVER 97TE

## Belt, Deck & Rear Roller

97TE-XXXX-07

S/N TSV100000 and up

BELT: WALKING; BLK;  
W/LOGO; NP7131 C  
0K58-01397-0000

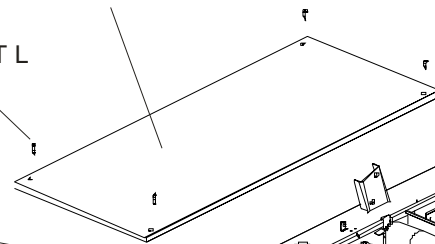


LBL: BELT-LIMIT; LT.  
M051-00K58-A101

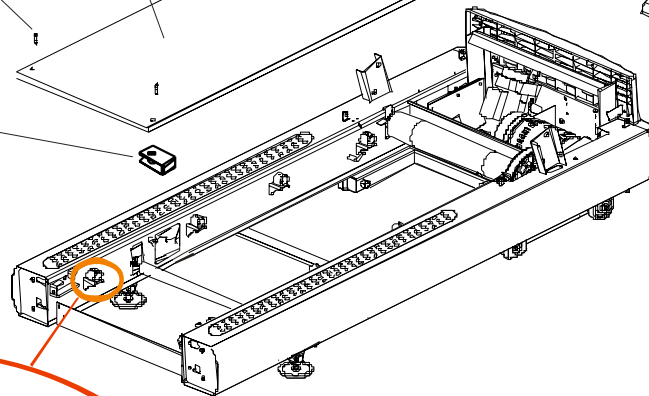
DECK: TREADMILL; WAXLESS  
0K58-01091-0002

1/4 -20x20 HXS FLT L  
CS ST ZB B (4)  
0017-00101-1775

NUT 1/4 -20 TINNEMAN  
D ST ZN B (4)  
0017-00103-0198



LBL: CAUTION;  
HI-VOLT;ENG+FRN B  
M051-00K58-A014

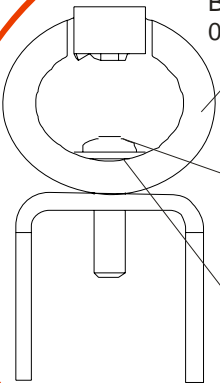


LBL: BELT-LIMIT; RT.  
M051-00K58-A100

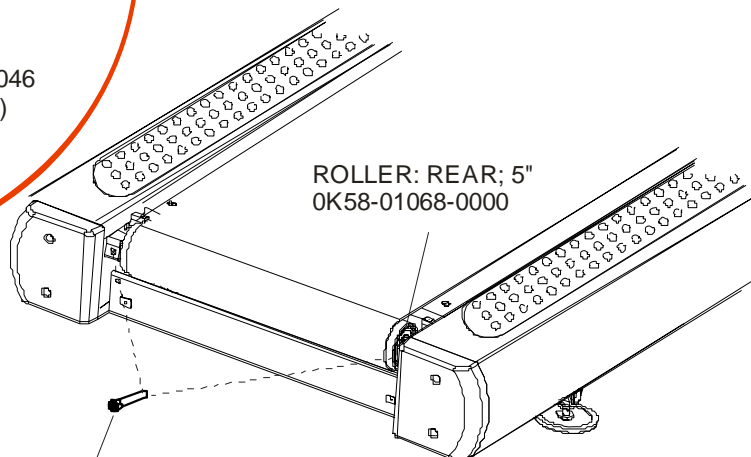
SPRING: TECSPAK,  
BLACK S/C-B (8)  
0K40-01026-0002

1/4 -20X16 HXS BUT  
L CS G8 BO B (8)  
0017-00101-1652

WSH 255-.562-046  
FL-D ST ZN B (8)  
0017-00104-0072



ROLLER: REAR; 5"  
0K58-01068-0000

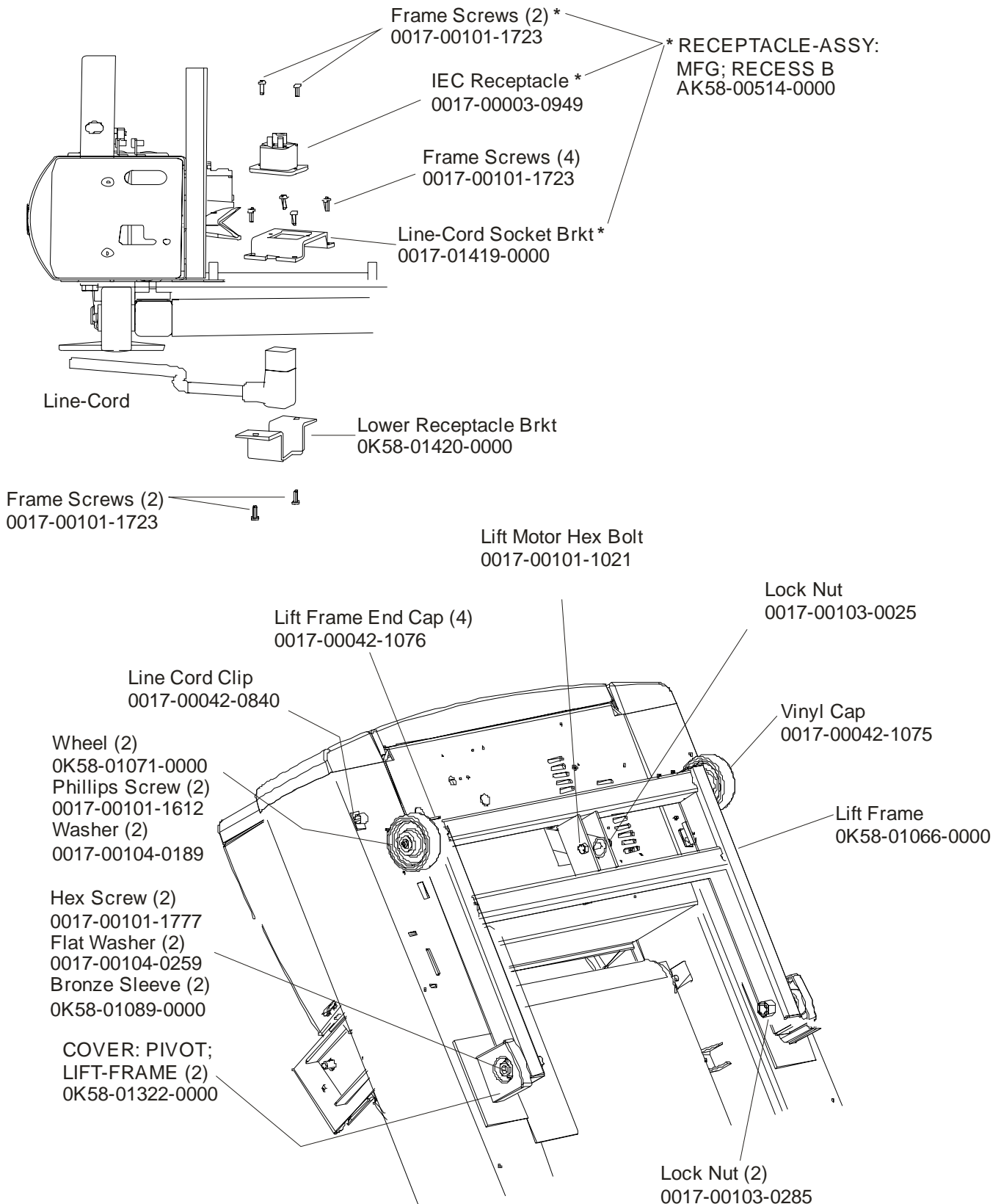


Rear Roller Adjusting Bolt ( 2 )  
3/8 -16X48 HEX SOC L CS ST SS B

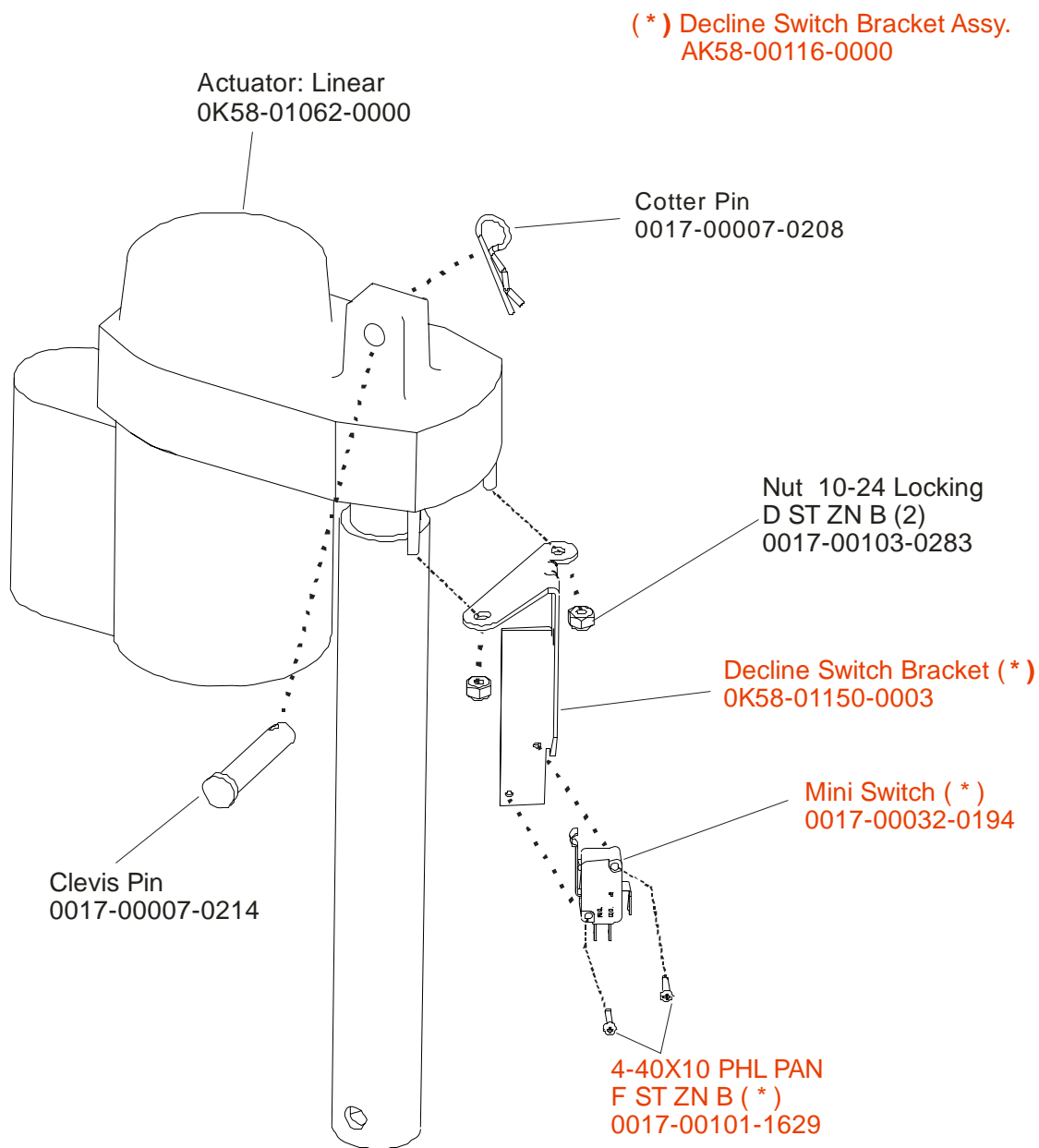
# ARCTIC SILVER 97TE

## Lift Frame & Receptacle Assy.

97TE-XXXX-07  
S/N TSV100000 and up





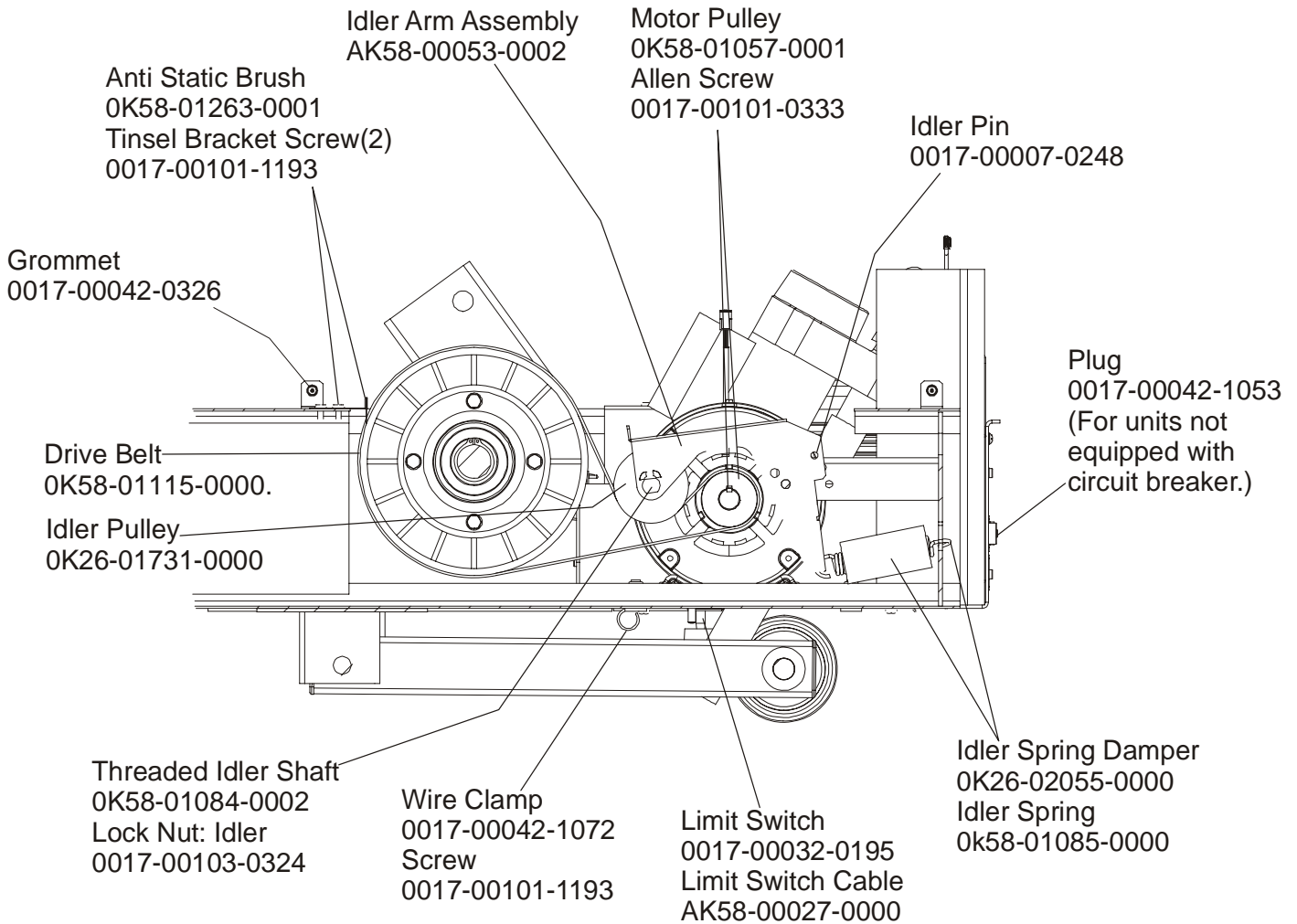


# ARCTIC SILVER 97TE

## Idler Arm Assy.

97TE-XXXX-07

S/N TSV100000 and up

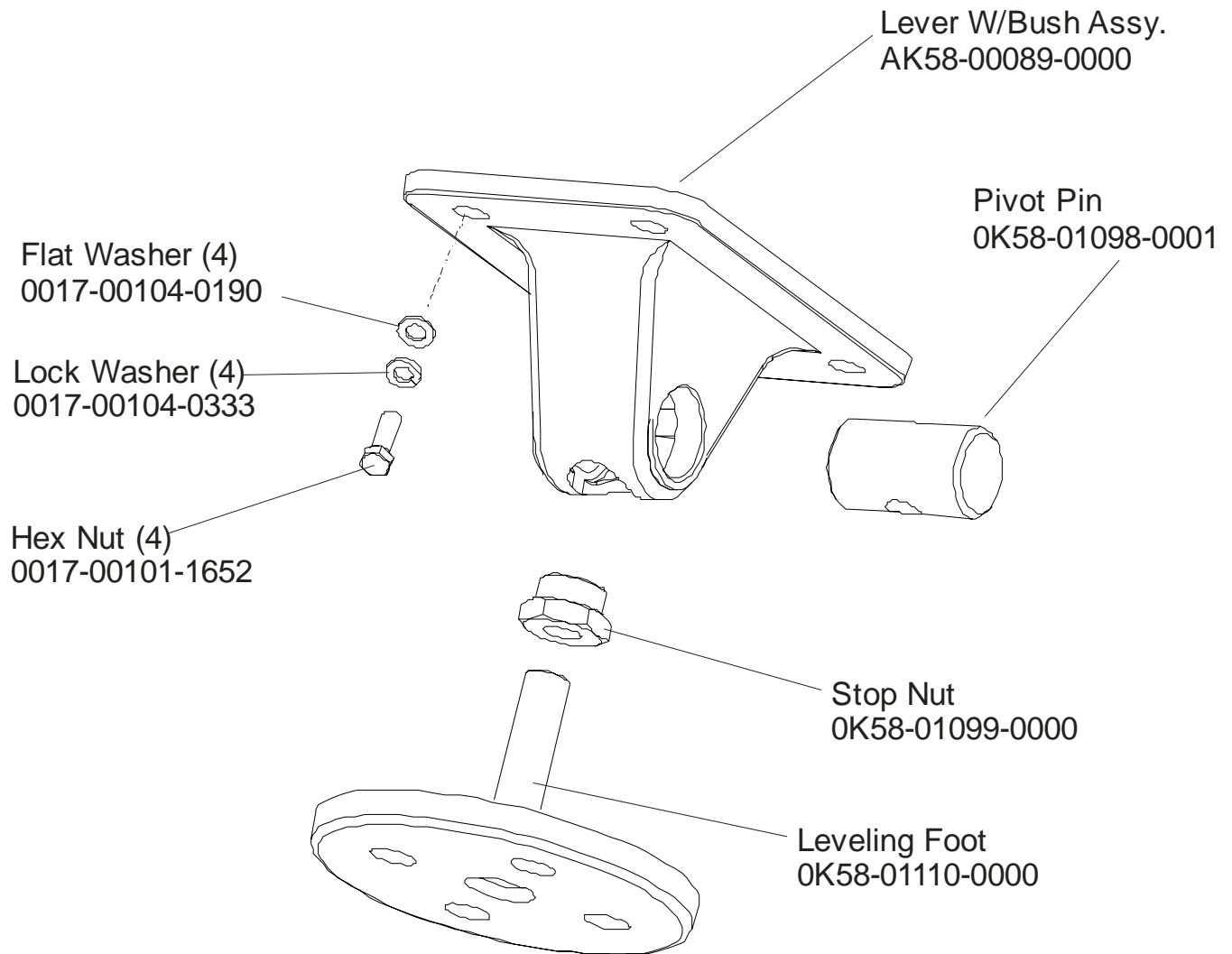


# ARCTIC SILVER 97TE

## Leg Leveler Assembly – AK58-00464-0000

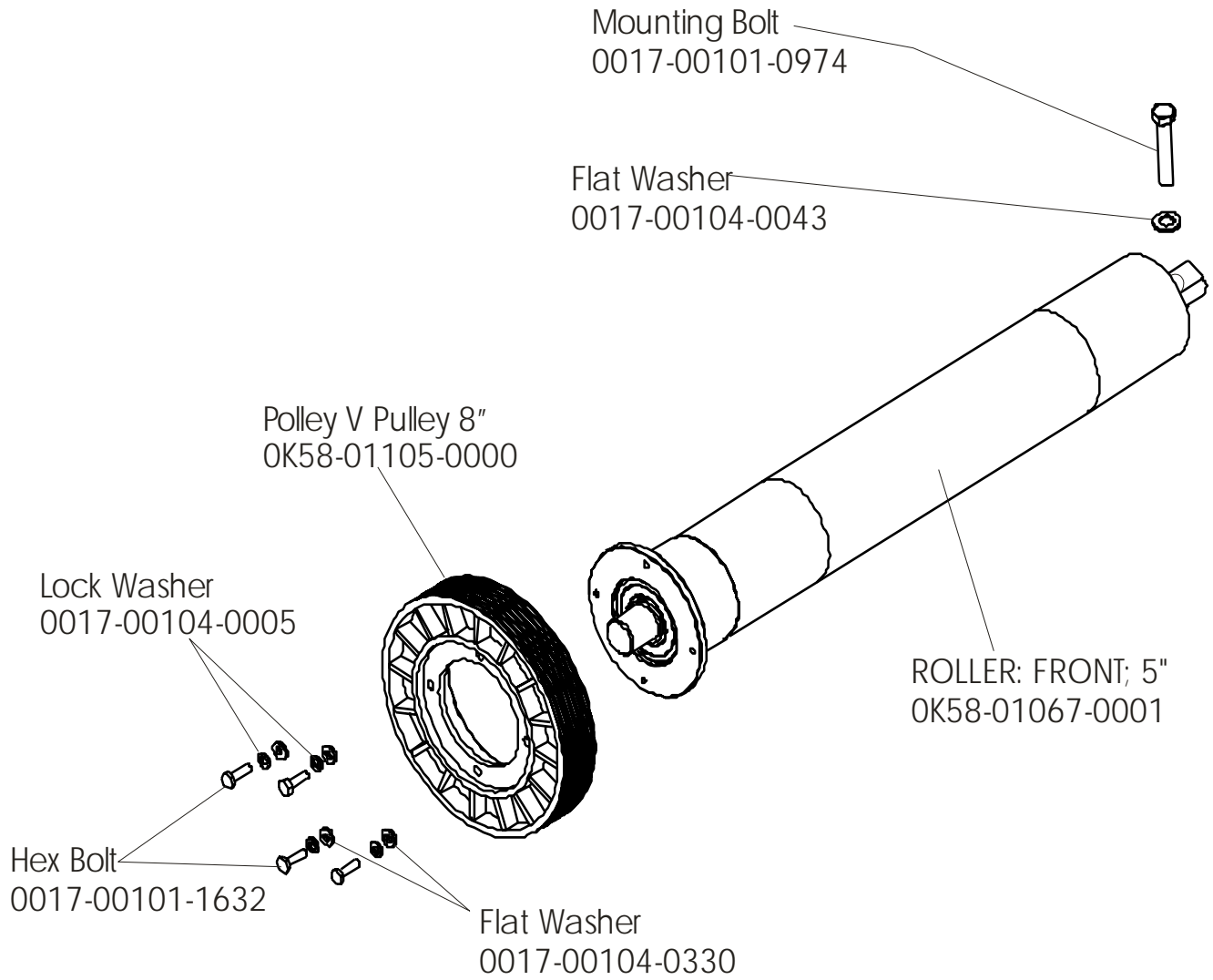
97TE-XXXX-07

S/N TSV100000 and up



**ARCTIC SILVER 97TE**  
**Front Roller Assy.- AK58-00067-0000**

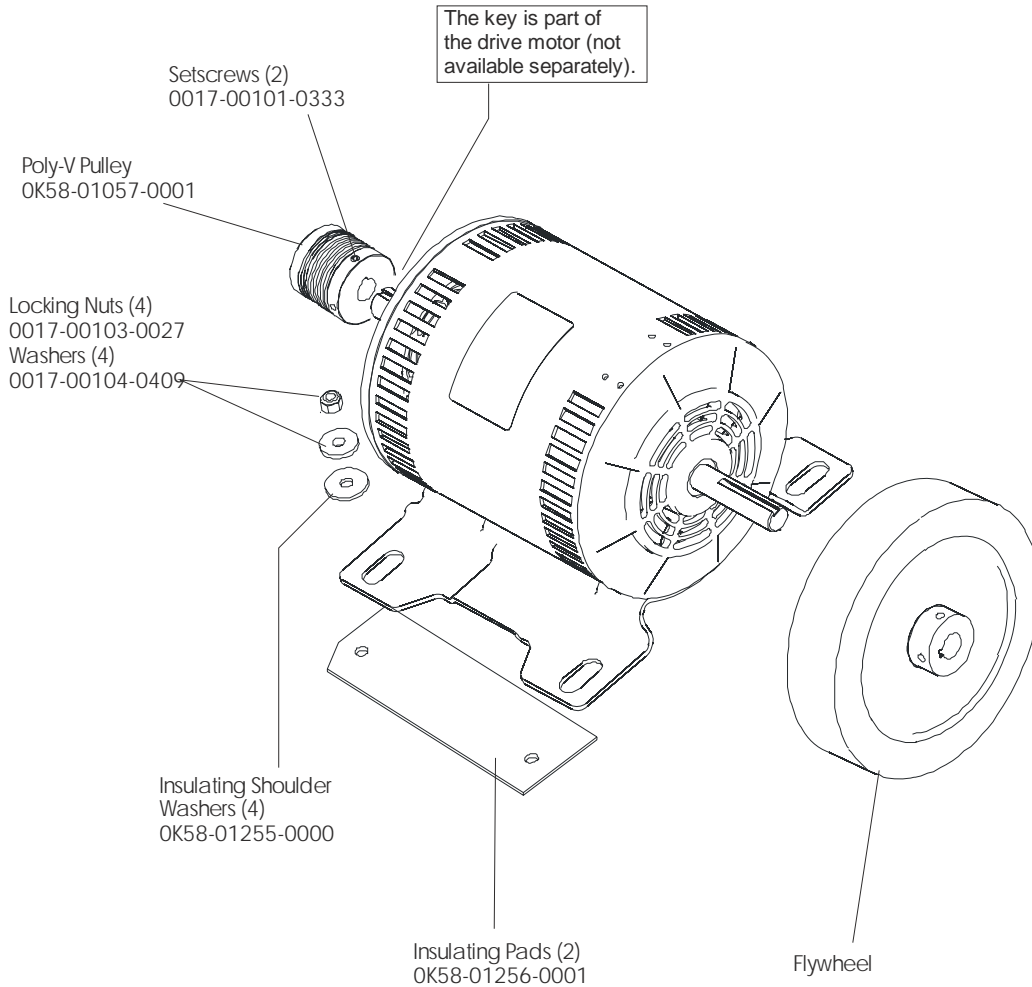
**97TE-XXXX-07**  
**S/N TSV100000 and up**



# ARCTIC SILVER 97TE

## Drive Motor Assembly

**97TE-XXXX-07**  
**S/N TSV100000 and up**



Description	Part Nos.	
	S/N TSV100000–TSV100069	S/N TSV100070 and up
Drive Motor Assembly	AK58-00171-0001 (dual cable)	AK58-00171-0002 (tapered shaft)
Cast Iron Flywheel	OK58-01092-0002	OK58-01092-0004
Flywheel Setscrews/Bolt	0017-00101-0975 (uses setscrews)	0017-00101-1885 (uses bolt)

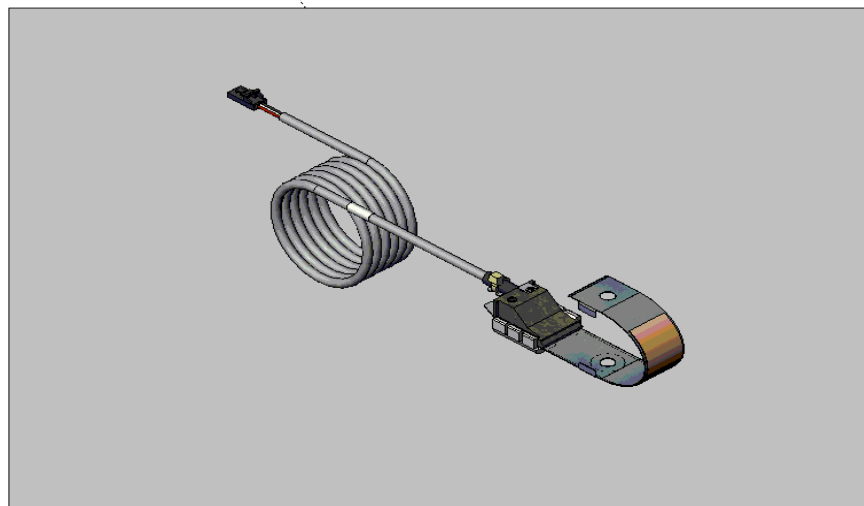
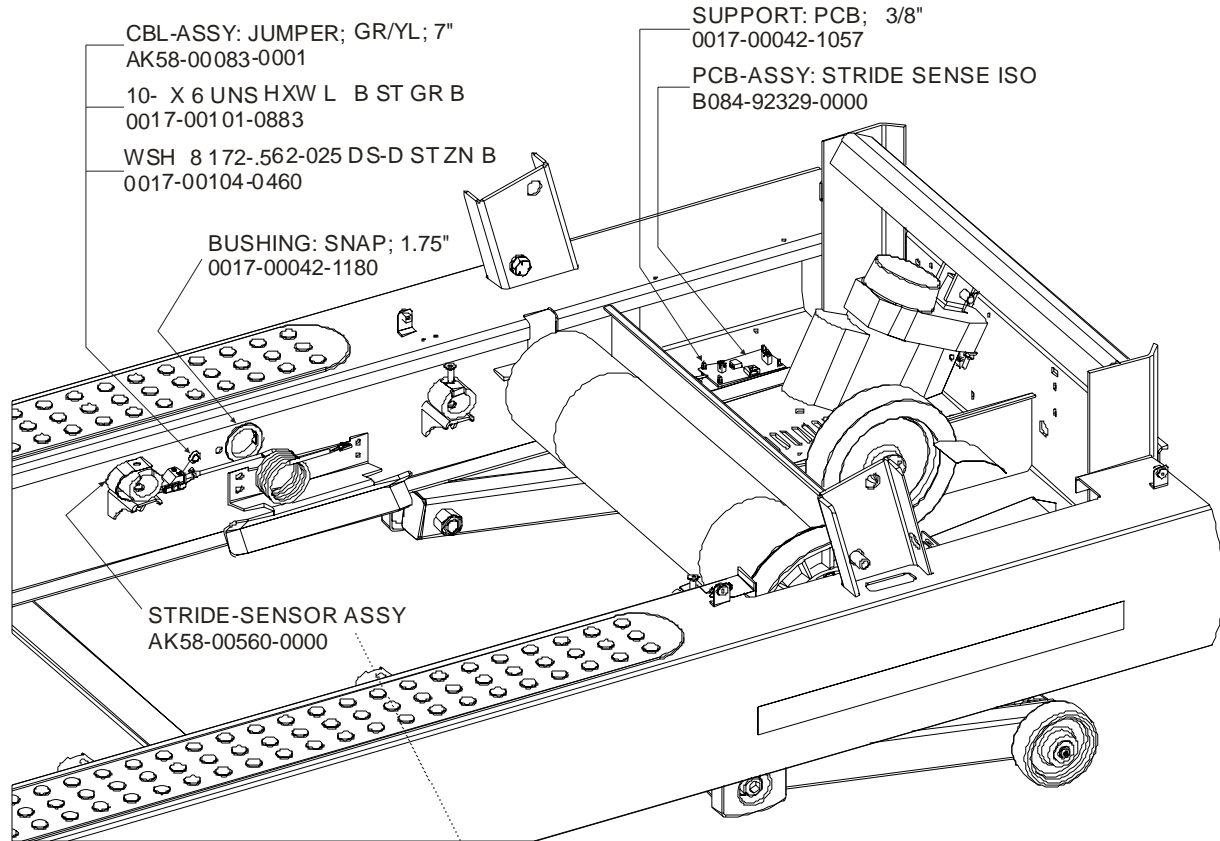
Ref: technical bulletin TR07060101N

# ARCTIC SILVER 97TE

## Stride Sensor Assy. & Stride Sensor PCB Assy.

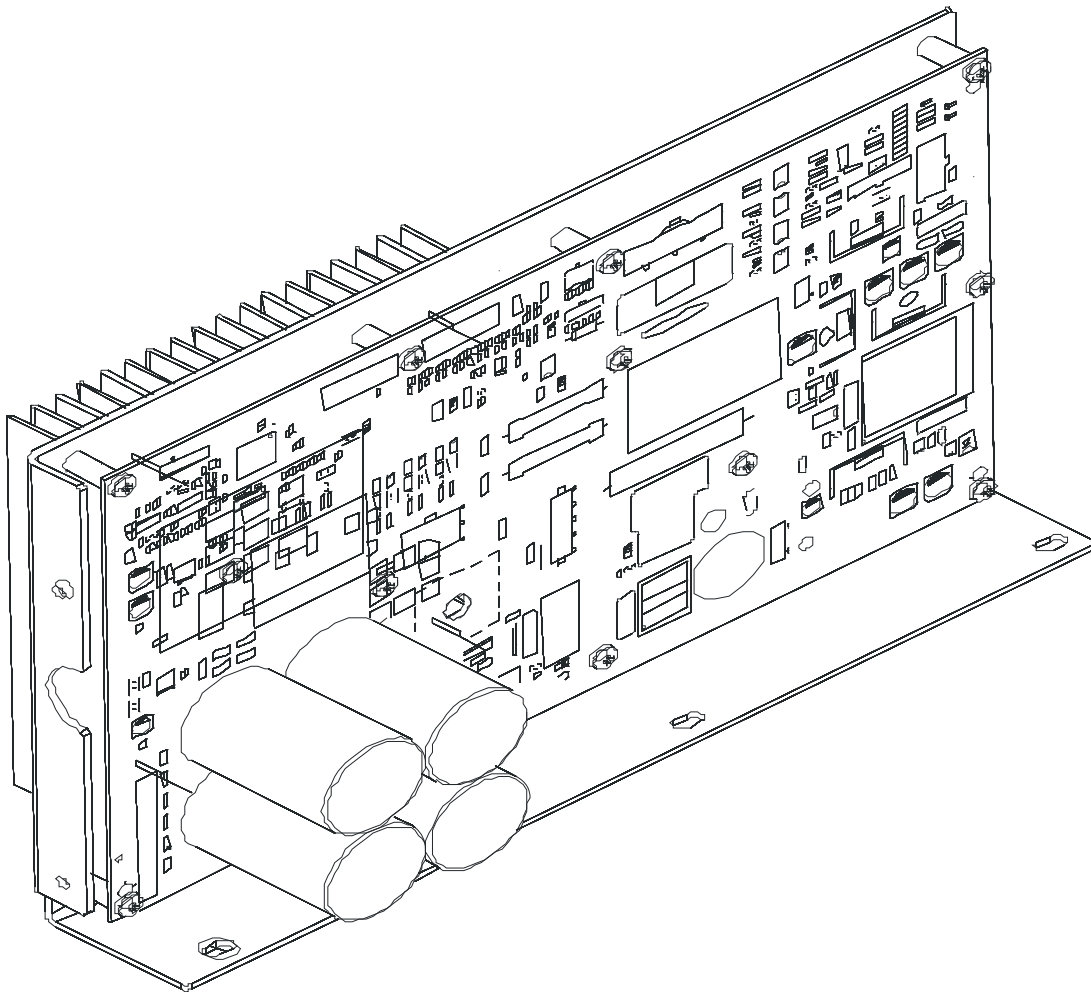
97TE-XXXX-07

S/N TSV100000 and up



**ARCTIC SILVER 97TE**  
**DSP-Controller Assy**

**97TE-XXXX-07**  
**S/N TSV100000 and up**



VOLTAGE	PART NUMBER	PART DESCRIPTION
100-120	GK58-00002-0119	KIT: SERV; MFG; DSP CONTROLLER 100-120; LCD
200-240	GK58-00002-0121	KIT: SERV; MFG; DSP CONTROLLER 200-240; LCD

**ARCTIC SILVER 97TE**  
**Line-Cords & Line-Cord Options**

**97TE-XXXX-07**  
**S/N TSV100000 and up**

MODEL #	MODEL DESCRIPTION	STANDARD LINE-CORDS
97TE-0100-07	97Te ENG+MET 120/60 DOM NTSC	0017-00003-0974 LINE-CORD: R/A; 96"; W/RECP S/C-C
97TE-0300-07	97Te FRN/MET 120/60 DOM NTSC	
97TE-0400-07	97Te SPN/MET 120/60 DOM NTSC	
97TE-0800-07	97Te POR/MET 120/60 DOM NTSC	
97TE-0103-07	97Te ENG+MET 220/60 DOM NTSC	0017-00003-0781 LINE-CORD: R/A; 220V; USA D
97TE-0105-07	97Te ENG+MET 100/50 DOM NTSC	
97TE-0106-07	97Te ENG+MET 200/50 DOM NTSC	
97TE-0705-07	97Te JAP/MET 100/50 DOM NTSC	
97TE-0706-07	97Te JAP/MET 200/50 DOM NTSC	
97TE-0101-07	97Te ENG+MET 230/50 CON PAL	0017-00003-0696 LINE-CORD: R/A; CEE7; 103" 10A 250V D
97TE-0701-07	97Te GER/MET 230/50 CON PAL	
97TE-0301-07	97Te FRN/MET 230/50 CON PAL	
97TE-0401-07	97Te SPN/MET 230/50 CON PAL	
97TE-0501-07	97Te ITL/MET 230/50 CON PAL	
97TE-0601-07	97Te DUT/MET 230/50 CON PAL	
97TE-0801-07	97Te POR/MET 230/50 CON PAL	
97TE-1601-07	97Te ENG/TUR 230/50 CON PAL	
97TE-0102-07	97Te ENG+MET 240/50 UK PAL	0017-00003-0890 LINE-CORD: U.K; R/A
97TE-0109-07	97Te ENG+MET 230/50 UK PAL	
97TE-0104-07	97Te ENG+MET 240V+ AUS PAL	0017-00003-0996 LINE-CORD: IEC; AUSTRALIAN; 230/50 C

OPTIONAL LINE-CORDS		
0017-00003-0947	LINE-CORD: 120V; 20A;	12'
0017-00003-0915	LINE-CORD: R/A 120V	8'
0017-00003-0980	LINE-CORD: R/A; NEMA 5-20 144"	12'
0017-00003-0981	LINE-CORD: R/A; W/PLUG 220/60	7.5'
0017-00003-0948	LINE-CORD: 220V; 15A;	12'



# ARCTIC SILVER 97TE

Cables for Units Between 0100 - 0104

97TE-XXXX-07

S/N TSV100000 and up

PART NUMBER	PART DESCRIPTION	97TE-XXXX-07				
		0100 120/60 DOM	0101 230/50 CON	0102 240/50 UK	0103 220/60 DOM	0104 240V+ CON
0017-00003-0626	CIRCUIT-BREAKER: 2A S/C#18-D		X	X	X	X
0017-00003-0898	FILTER: LINE; 10-AMP 4-SHT C		X	X		
0017-00003-0950	CIRCUIT-BREAKER: 4A S/C#18-D					
0017-00003-1015	FILTER: LINE; 20A 3-SHTS C	X			X	X
118E-00001-0178	CBL: FLAT; W/O SHIELD; 41-PIN C	X	X	X	X	X
AK32-00009-0000	CBL-ASSY: HEADPHONE C	X	X	X	X	X
AK32-00019-0001	CBL-ASSY: ETHERNET; Te; S/C-B	X	X	X	X	X
AK32-00020-0001	CBL-ASSY: COAX; 90" S/C-B	X	X	X	X	X
AK58-00027-0000	CBL-ASSY: ZERO-SWITCH C			X	X	X
AK58-00027-0001	CBL-ASSY: ZERO HOME-SWITCH; 230V; LCD C	X	X			
AK58-00032-0000	CBL-ASSY: USER SENSE PROX. C	X	X	X	X	X
AK58-00036-0002	CBL-ASSY: EMERGENCY-STOP C	X	X	X	X	X
AK58-00041-0001	CBL-ASSY: H/R SENSORS C	X	X	X	X	X
AK58-00081-0000	CBL-ASSY: JUMPER; BLK; 4" B	X	X	X	X	X
AK58-00082-0000	CBL-ASSY: JUMPER; WHT; 6" B	X	X	X	X	X
AK58-00083-0000	CBL-ASSY: JUMPER; GR/YL; 5" B	X	X	X	X	X
AK58-00083-0001	CBL-ASSY: JUMPER; GR/YL; 7" B	X	X	X	X	X
AK58-00210-0000	XFRMR-BRKT ASSY: MFG. C		X	X	X	X
AK58-00224-0001	CBL-ASSY: MOV; FILTER C	X	X	X	X	X
AK58-00232-0000	CBL-ASSY: CONS; MIDDLE C	X	X	X	X	X
AK58-00263-0000	CBL-ASSY: HI-POT JUMPER B	X	X	X	X	X
AK58-00273-0001	CBL-ASSY: POWER; Te; PAL C	X	X	X	X	X
AK58-00274-0001	CBL-ASSY: POLAR/E-STOP; 19.5"C	X	X	X	X	X
AK58-00520-0000	CBL-ASSY: POWER; 100-200V C	X				
AK58-00523-0000	CBL-ASSY: JUMPER; POWER; LCD-CONS B	X	X	X	X	X
AK58-00524-0000	CBL-ASSY: THERMAL ADAPTER B	X	X	X	X	X
AK58-00565-0000	CBL-ASSY: EXT INCLINE MOTOR C		X			
AK58-00596-0001	CBL-ASSY: POWER; 230-240V; LED; S/C-C		X	X	X	X
AK58-00597-0000	CBL-ASSY: EXT ISO SENSOR C	X	X	X	X	X
AK58-00598-0000	CBL-ASSY: ISO POWER C	X	X	X	X	X
AK60-00009-0001	CBL-ASSY: ZERO-NEGATIVE SW; 15" S/C-C	X		X	X	X

# ARCTIC SILVER 97TE

Cables for Units Between 0105 - 0300

97TE-XXXX-07

S/N TSV100000 and up

PART NUMBER	PART DESCRIPTION	97TE-XXXX-07				
		0105 100/50 DOM	0106 200/50 DOM	0109 230/50 CON	0201 230/50 CON	0300 120/60 DOM
0017-00003-0626	CIRCUIT-BREAKER: 2A S/C#18-D		X	X	X	
0017-00003-0898	FILTER: LINE; 10-AMP 4-SHT C			X	X	
0017-00003-0950	CIRCUIT-BREAKER: 4A S/C#18-D	X				
0017-00003-1015	FILTER: LINE; 20A 3-SHTS C	X	X			X
118E-00001-0178	CBL: FLAT; W/O SHIELD; 41-PIN C	X	X	X	X	X
AK32-00009-0000	CBL-ASSY: HEADPHONE C	X	X	X	X	X
AK32-00019-0001	CBL-ASSY: ETHERNET; Te; S/C-B	X	X	X	X	X
AK32-00020-0001	CBL-ASSY: COAX; 90" S/C-B	X	X	X	X	X
AK58-00027-0000	CBL-ASSY: ZERO-SWITCH C	X	X			
AK58-00027-0001	CBL-ASSY: ZERO HOME-SWITCH; 230V; LCD C			X	X	
AK58-00032-0000	CBL-ASSY: USER SENSE PROX. C	X	X	X	X	X
AK58-00036-0002	CBL-ASSY: EMERGENCY-STOP C	X	X	X	X	X
AK58-00041-0001	CBL-ASSY: H/R SENSORS C	X	X	X	X	X
AK58-00081-0000	CBL-ASSY: JUMPER; BLK; 4" B	X	X	X	X	X
AK58-00082-0000	CBL-ASSY: JUMPER; WHT; 6" B	X	X	X	X	X
AK58-00083-0000	CBL-ASSY: JUMPER; GR/YL; 5" B	X	X	X	X	X
AK58-00083-0001	CBL-ASSY: JUMPER; GR/YL; 7" B	X	X	X	X	X
AK58-00210-0000	XFRMR-BRKT ASSY: MFG. C	X	X	X	X	X
AK58-00224-0001	CBL-ASSY: MOV; FILTER C	X	X	X	X	X
AK58-00232-0000	CBL-ASSY: CONS; MIDDLE C	X	X	X	X	X
AK58-00263-0000	CBL-ASSY: HI-POT JUMPER B	X	X	X	X	X
AK58-00273-0001	CBL-ASSY: POWER; Te; PAL C	X	X	X	X	X
AK58-00274-0001	CBL-ASSY: POLAR/E-STOP; 19.5"C	X	X	X	X	X
AK58-00520-0000	CBL-ASSY: POWER; 100-200V C	X				X
AK58-00523-0000	CBL-ASSY: JUMPER; POWER; LCD-CONS B	X	X	X	X	X
AK58-00524-0000	CBL-ASSY: THERMAL ADAPTER B	X	X	X	X	X
AK58-00565-0000	CBL-ASSY: EXT INCLINE MOTOR C			X	X	
AK58-00596-0001	CBL-ASSY: POWER; 230-240V; LED; S/C-C		X	X	X	
AK58-00597-0000	CBL-ASSY: EXT ISO SENSOR C	X	X	X	X	X
AK58-00598-0000	CBL-ASSY: ISO POWER C	X	X	X	X	X
AK60-00009-0001	CBL-ASSY: ZERO-NEGATIVE SW; 15" S/C-C	X	X			X

# ARCTIC SILVER 97TE

Cables for Units Between 0301 - 0601

97TE-XXXX-07

S/N TSV100000 and up

PART NUMBER	PART DESCRIPTION	97TE-XXXX-07				
		0301 230/50 CON	0400 120/60 DOM	0401 230/50 CON	0501 230/50 CON	0601 230/50 CON
0017-00003-0626	CIRCUIT-BREAKER: 2A S/C#18-D	X		X	X	X
0017-00003-0898	FILTER: LINE; 10-AMP 4-SHT C	X		X	X	X
0017-00003-0950	CIRCUIT-BREAKER: 4A S/C#18-D					
0017-00003-1015	FILTER: LINE; 20A 3-SHTS C		X			
118E-00001-0178	CBL: FLAT; W/O SHIELD; 41-PIN C	X	X	X	X	X
AK32-00009-0000	CBL-ASSY: HEADPHONE C	X	X	X	X	X
AK32-00019-0001	CBL-ASSY: ETHERNET; Te; S/C-B	X	X	X	X	X
AK32-00020-0001	CBL-ASSY: COAX; 90" S/C-B	X	X	X	X	X
AK58-00027-0000	CBL-ASSY: ZERO-SWITCH C		X			
AK58-00027-0001	CBL-ASSY: ZERO HOME-SWITCH; 230V; LCD C	X		X	X	X
AK58-00032-0000	CBL-ASSY: USER SENSE PROX. C	X	X	X	X	X
AK58-00036-0002	CBL-ASSY: EMERGENCY-STOP C	X	X	X	X	X
AK58-00041-0001	CBL-ASSY: H/R SENSORS C	X	X	X	X	X
AK58-00081-0000	CBL-ASSY: JUMPER; BLK; 4" B	X	X	X	X	X
AK58-00082-0000	CBL-ASSY: JUMPER; WHT; 6" B	X	X	X	X	X
AK58-00083-0000	CBL-ASSY: JUMPER; GR/YL; 5" B	X	X	X	X	X
AK58-00083-0001	CBL-ASSY: JUMPER; GR/YL; 7" B	X	X	X	X	X
AK58-00210-0000	XFRMR-BRKT ASSY: MFG. C	X	X	X	X	X
AK58-00224-0001	CBL-ASSY: MOV; FILTER C	X	X	X	X	X
AK58-00232-0000	CBL-ASSY: CONS; MIDDLE C	X	X	X	X	X
AK58-00263-0000	CBL-ASSY: HI-POT JUMPER B	X	X	X	X	X
AK58-00273-0001	CBL-ASSY: POWER; Te; PAL C	X	X	X	X	X
AK58-00274-0001	CBL-ASSY: POLAR/E-STOP; 19.5"C	X	X	X	X	X
AK58-00520-0000	CBL-ASSY: POWER; 100-200V C		X			
AK58-00523-0000	CBL-ASSY: JUMPER; POWER; LCD-CONS B	X	X	X	X	X
AK58-00524-0000	CBL-ASSY: THERMAL ADAPTER B	X	X	X	X	X
AK58-00565-0000	CBL-ASSY: EXT INCLINE MOTOR C	X		X	X	X
AK58-00596-0001	CBL-ASSY: POWER; 230-240V; LED; S/C-C	X		X	X	X
AK58-00597-0000	CBL-ASSY: EXT ISO SENSOR C	X	X	X	X	X
AK58-00598-0000	CBL-ASSY: ISO POWER C	X	X	X	X	X
AK60-00009-0001	CBL-ASSY: ZERO-NEGATIVE SW; 15" S/C-C		X			

**ARCTIC SILVER 97TE**

Cables for Units Between 0705 - 0801

**97TE-XXXX-07**

S/N TSV100000 and up

PART NUMBER	PART DESCRIPTION	97TE-XXXX-07			
		0705 100/50 DOM	0706 200/50 DOM	0800 120/50 DOM	0801 230/50 CON
0017-00003-0626	CIRCUIT-BREAKER: 2A S/C#18-D		X		X
0017-00003-0898	FILTER: LINE; 10-AMP 4-SHT C				X
0017-00003-0950	CIRCUIT-BREAKER: 4A S/C#18-D				
0017-00003-1015	FILTER: LINE; 20A 3-SHTS C	X	X		
118E-00001-0178	CBL: FLAT; W/O SHIELD; 41-PIN C	X	X	X	X
AK32-00009-0000	CBL-ASSY: HEADPHONE C	X	X	X	X
AK32-00019-0001	CBL-ASSY: ETHERNET; Te; S/C-B	X	X	X	X
AK32-00020-0001	CBL-ASSY: COAX; 90" S/C-B	X	X	X	X
AK58-00027-0000	CBL-ASSY: ZERO-SWITCH C	X	X	X	
AK58-00027-0001	CBL-ASSY: ZERO HOME-SWITCH; 230V; LCD C				X
AK58-00032-0000	CBL-ASSY: USER SENSE PROX. C	X	X	X	X
AK58-00036-0002	CBL-ASSY: EMERGENCY-STOP C	X	X	X	X
AK58-00041-0001	CBL-ASSY: H/R SENSORS C	X	X	X	X
AK58-00081-0000	CBL-ASSY: JUMPER; BLK; 4" B	X	X	X	X
AK58-00082-0000	CBL-ASSY: JUMPER; WHT; 6" B	X	X	X	X
AK58-00083-0000	CBL-ASSY: JUMPER; GR/YL; 5" B	X	X	X	X
AK58-00083-0001	CBL-ASSY: JUMPER; GR/YL; 7" B	X	X	X	X
AK58-00210-0000	XFRMR-BRKT ASSY: MFG. C	X	X	X	X
AK58-00224-0001	CBL-ASSY: MOV; FILTER C	X	X	X	X
AK58-00232-0000	CBL-ASSY: CONS; MIDDLE C	X	X	X	X
AK58-00263-0000	CBL-ASSY: HI-POT JUMPER B	X	X	X	X
AK58-00273-0001	CBL-ASSY: POWER; Te; PAL C	X	X	X	X
AK58-00274-0001	CBL-ASSY: POLAR/E-STOP; 19.5"C	X	X	X	X
AK58-00520-0000	CBL-ASSY: POWER; 100-200V C	X		X	
AK58-00523-0000	CBL-ASSY: JUMPER; POWER; LCD-CONS B	X	X	X	X
AK58-00524-0000	CBL-ASSY: THERMAL ADAPTER B	X	X	X	X
AK58-00565-0000	CBL-ASSY: EXT INCLINE MOTOR C				X
AK58-00596-0001	CBL-ASSY: POWER; 230-240V; LED; S/C-C		X		X
AK58-00597-0000	CBL-ASSY: EXT ISO SENSOR C	X	X	X	X
AK58-00598-0000	CBL-ASSY: ISO POWER C	X	X	X	X
AK60-00009-0001	CBL-ASSY: ZERO-NEGATIVE SW; 15" S/C-C	X	X	X	

## Free Manuals Download Website

<http://myh66.com>

<http://usermanuals.us>

<http://www.somanuals.com>

<http://www.4manuals.cc>

<http://www.manual-lib.com>

<http://www.404manual.com>

<http://www.luxmanual.com>

<http://aubethermostatmanual.com>

Golf course search by state

<http://golfingnear.com>

Email search by domain

<http://emailbydomain.com>

Auto manuals search

<http://auto.somanuals.com>

TV manuals search

<http://tv.somanuals.com>