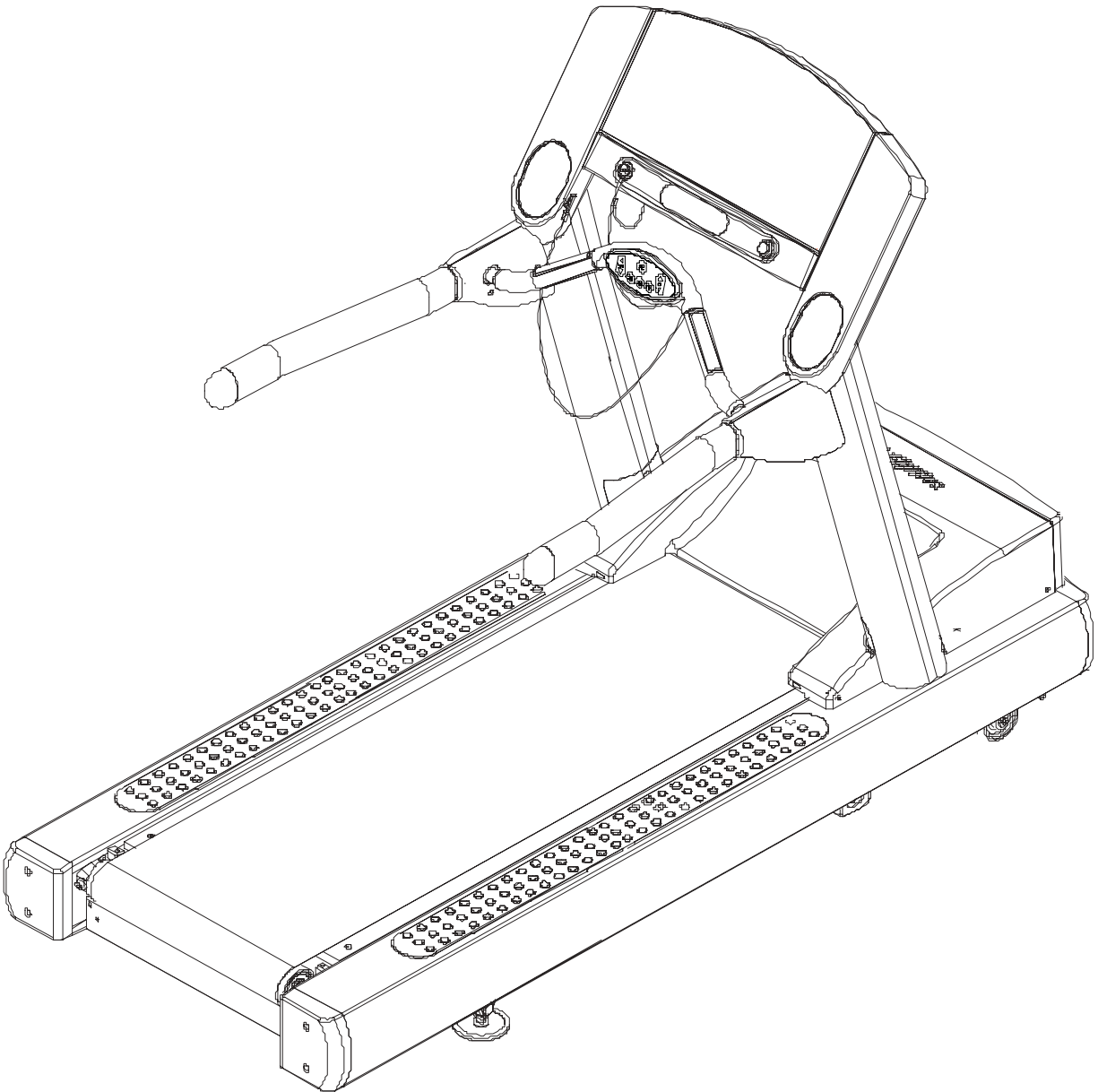


LifeFitness

ARCTIC SILVER 97TWEZ TREADMILL



Customer Support Services ***PARTS MANUAL*** rev 23 May 2008

	Page
MANUALS, ASSEMBLIES, and PAINT	3
CONSOLE and OVERLAY ASSEMBLY.....	5
CONSOLE COMPONENTS - JAPANESE	6
UPRIGHTS, HANDRAILS, and ERGO BAR	7
ERGO BAR with LIFE PULSE	8
REAR END CAPS and CUP HOLDERS	9
MOTOR COVER, FRONT COVER, and END CAPS	10
SCUFF PAD and TINSEL	11
ON-OFF SWITCH, ACCESS PLATE, and GROMMETS.....	12
BELT, DECK, and REAR ROLLER	13
LIFT FRAME and RECEPTACLE ASSEMBLY	14
LIFT MOTOR ASSEMBLY	15
IDLER ASSEMBLY	16
LEG LEVELER ASSEMBLY	17
FRONT ROLLER ASSEMBLY.....	18
DRIVE MOTOR ASSEMBLY	19
DSP CONTROLLER ASSEMBLY.....	20
LINE CORDS.....	21
CABLES	22

Language	Operation Manual*	Instruction Assembly*	Instruction Bag Assembly*	Service Manual
ENGLISH	M051-00K58-A232	M051-00K58-A181	AK58-00542-0000	M051-00K58-A253
FRENCH	M051-00K58-A233	M051-00K58-A182	AK58-00542-0001	
PORTUGUESE				
SPANISH				
DUTCH	M051-00K58-A234	M051-00K58-A183	AK58-00542-0002	
GERMAN				
ITALIAN				
JAPANESE	M051-00K58-A235	M051-00K58-A184	AK58-00542-0003	
EUR	M051-00K58-A232	M051-00K58-A181	AK58-00542-0004	

*Not all operation manuals, instruction assemblies, and instruction bag assemblies are available.

HDWR-BAG ASSY: MFG;95T/97T; part #AK58-00226-0000

Item	HDWR-BAG ASSY Components	Qty
OK58-01305-0002	PLUG: UPRIGHT S/C-C	2
OK58-01347-0000	GASKET: ERGOBAR C	2
0017-00009-1049	WRENCH: TORX; T27 B	1
0017-00042-0326	GROMMET: PLASTI; .130/.005 S/C#13-B	2
0017-00042-0840	CLIP: WIRE; PUSH-MTG; 3/4"; S/C#80-B	5
0017-00101-1770	8-15X 8 PHL PAN A SS NO B	6
0017-00101-1772	10-16X 8 PHL PAN B ST ZS B	6
0017-00101-1773	1/4 -20X 8 TRX BUT CS SS NO B	6
0017-00101-1774	5/16-18X40 TRX FLT CS ST ZS B	4
0017-00101-1778	1/2 -13X16 UNS HEX CS G5 ZB B	4
0017-00101-1780	8- X20 PHL TRS AB SS NO B	8
0017-00104-0325	WSH 516-.873-125 SL-D ST ZN B	4
0017-00103-0327	NUT 5/16-18 HEX; JAM D ST ZS B	4

KIT: SERV; ROLLER-GUARDS; 97Ti BM; part #GK58-00002-0096

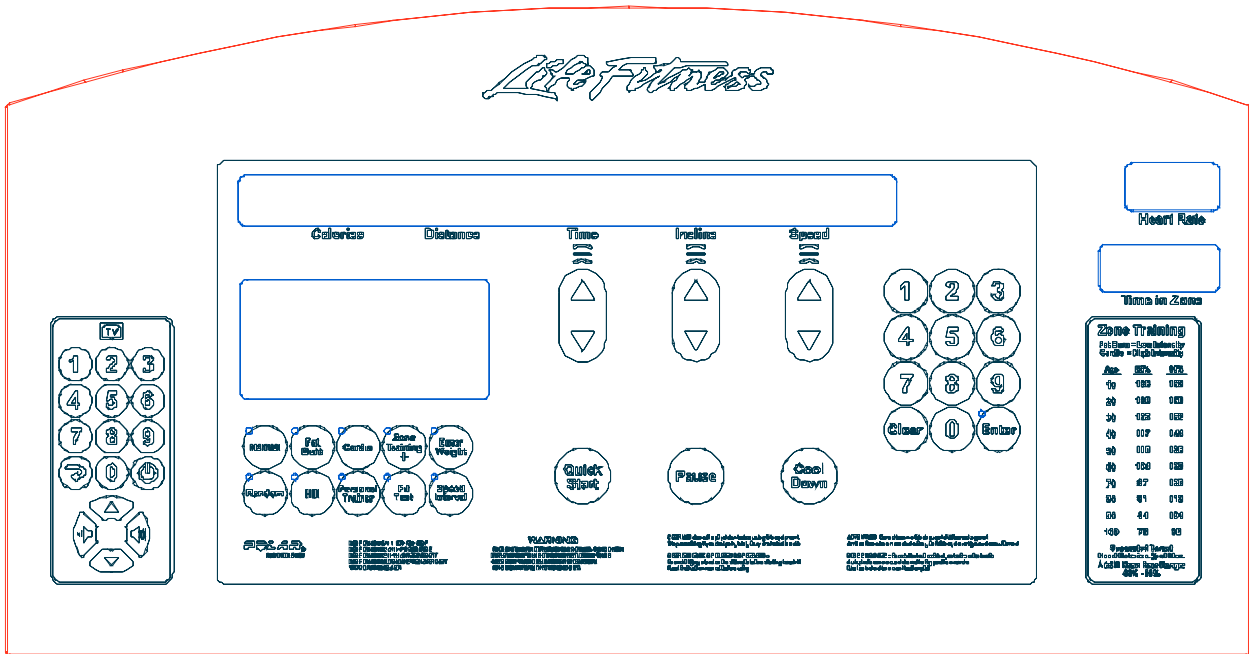
Part Number	KIT: SERV; ROLLER-GUARDS; 93/95Ti BM Components	Qty
AK58-00361-0001	GUARD-ASSY: MFG; RT; 5.00 B	1
AK58-00361-0002	GUARD-ASSY: MFG; LT; 5.00 B	1
M051-00K58-B128	INSTR: SERV; ROLLER-GUARDS +	1
0017-00042-0326	GROMMET: PLASTI; .130/.005 S/C#13-B	2
0017-00042-1147	GROMMET: NYLON; SCREW B	2
0017-00101-1776	10-16X 8 PHL PAN B ST ZB B	4

KIT: SERV; ANTI-SLIP RAIL BM: part #GK58-00002-0071

Part Number	KIT: SERV; ANTI-SLIP RAIL BM Components	Qty
Available only in the kit	INSTR:TEMPLT; ANTI-SLIP RAIL B	4
Available only in the kit	INSTR: KIT; ANTI-SLIP RAIL +	1
OK58-01376-0000	RAIL: ANTI-SLIP;STEALTH-GREY E	2
Available only in the kit	PAD: WIPE; ALCOHOL/DRY B	

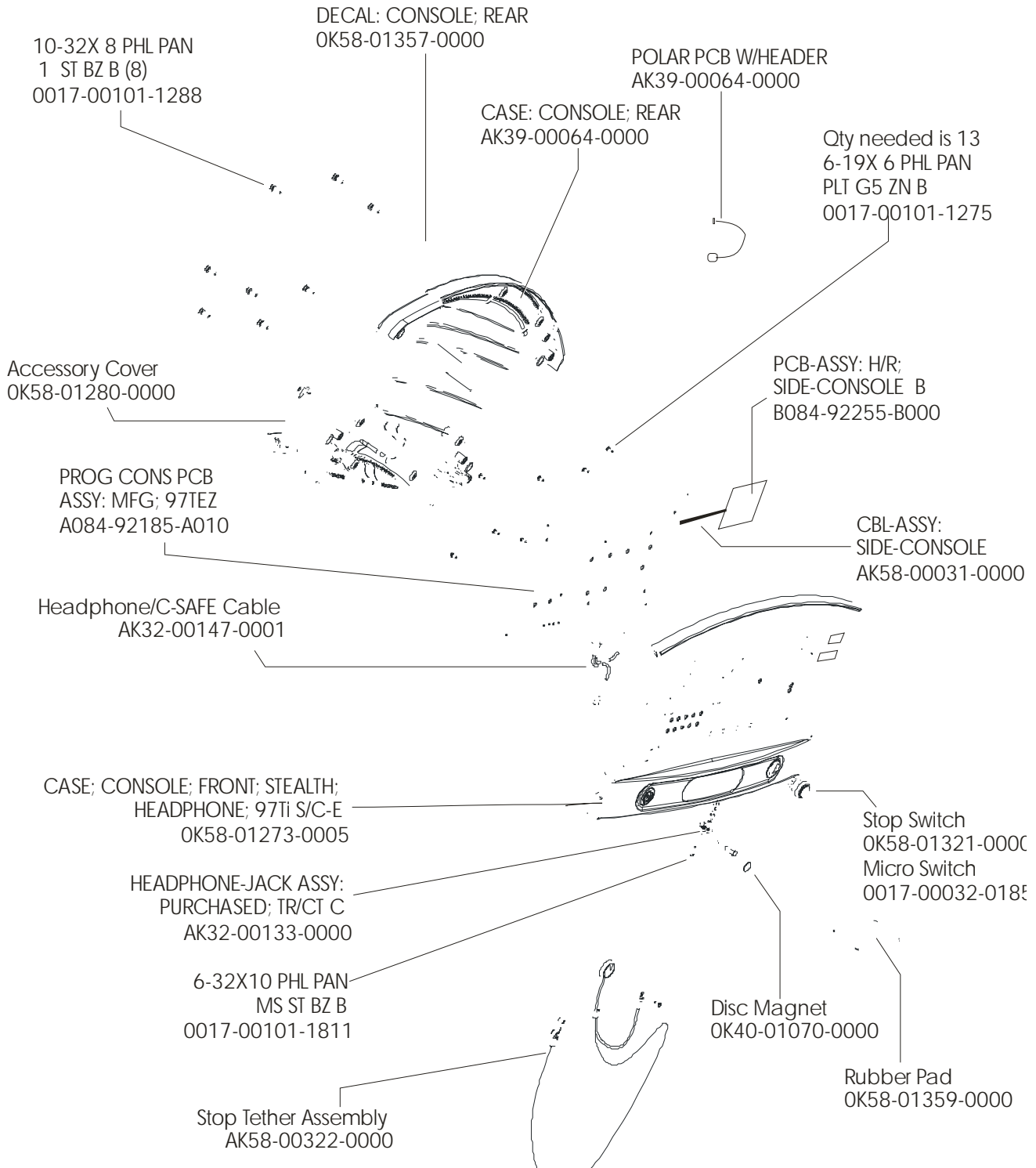
TOUCH UP PAINT	
Part Number	Description
0017-00008-0204	PAINT: CAN; SPRAY; ARCTIC SILVER
0017-00008-0205	PAINT: BOTTLE; ARCTIC SILVER (.5 OZ)
0017-00008-0206	PAINT: PEN; ARCTIC SILVER (.33 OZ)

INK TRANSFOR TOUCH-UP PAINT*	
Part Number	Description
0017-00008-0210	PAINT: TOUCH-UP; SHADOW-GRAY; .6 OZ BTL.
0017-00008-0211	PAINT: TOUCH-UP; SHADOW-GRAY; .6 OZ. PEN
*see Service Bulletin GN05032101N	



LANGUAGE	CONSOLE*	OVERLAY/BEZEL ASSEMBLY*	OVERLAY*
ENG/ENG	AK58-00535-0001	AK58-00549-0001	N/A
ENG+MET	AK58-00535-0002	AK58-00549-0002	N/A
GERMAN	AK58-00535-0003	AK58-00549-0003	N/A
SPANISH	AK58-00535-0004	AK58-00549-0004	N/A
JAPANESE	AK58-00535-0006	AK58-00549-0006	N/A
FRENCH	AK58-00535-0007	AK58-00549-0007	N/A
ITALIAN	AK58-00535-0008	AK58-00549-0008	N/A
DUTCH	AK58-00535-0009	AK58-00549-0009	N/A
PORUGUESE	AK58-00536-0010	AK58-00549-0010	N/A

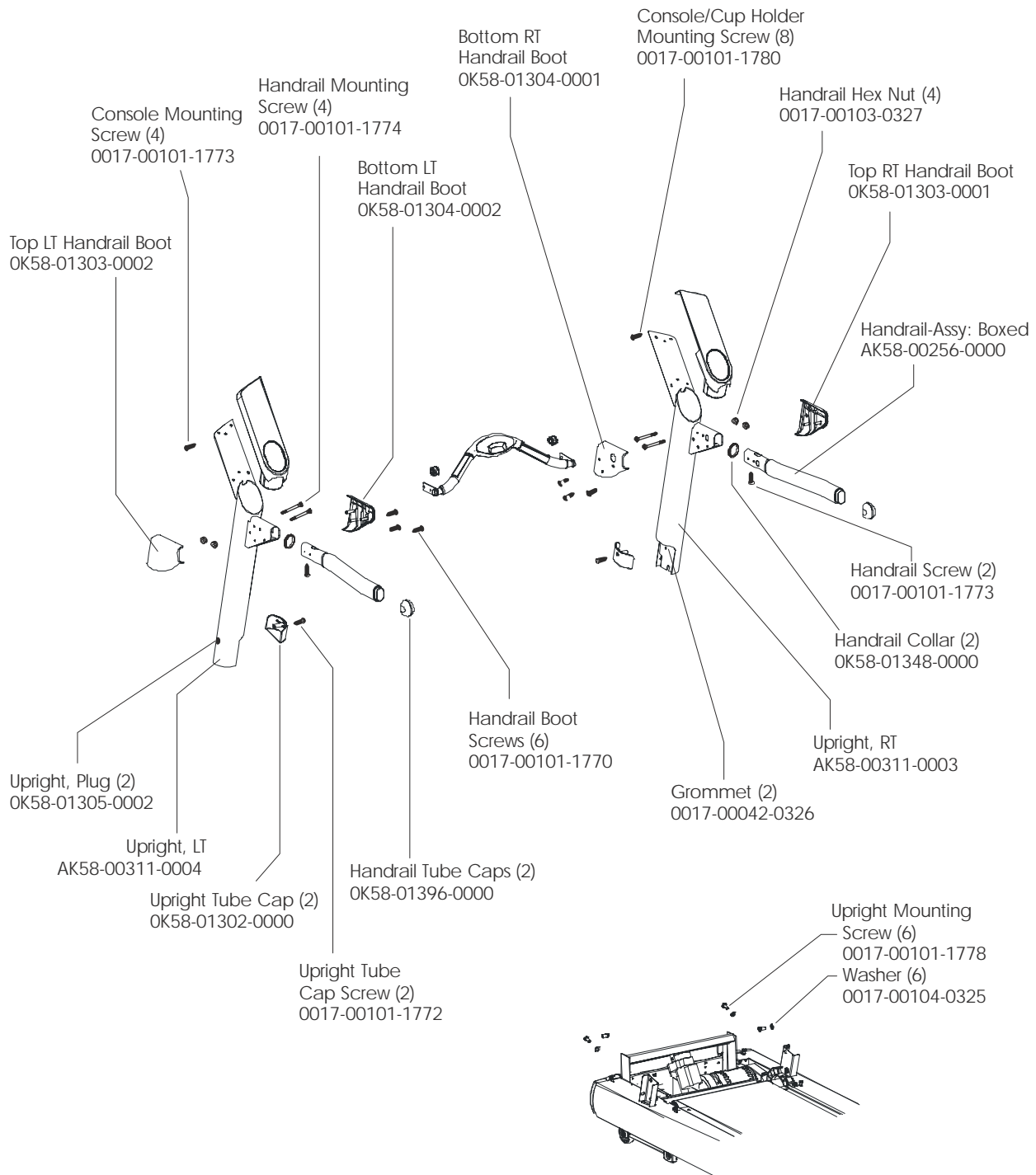
*Not all consoles, overlay/bezel assemblies, and overlays are available.

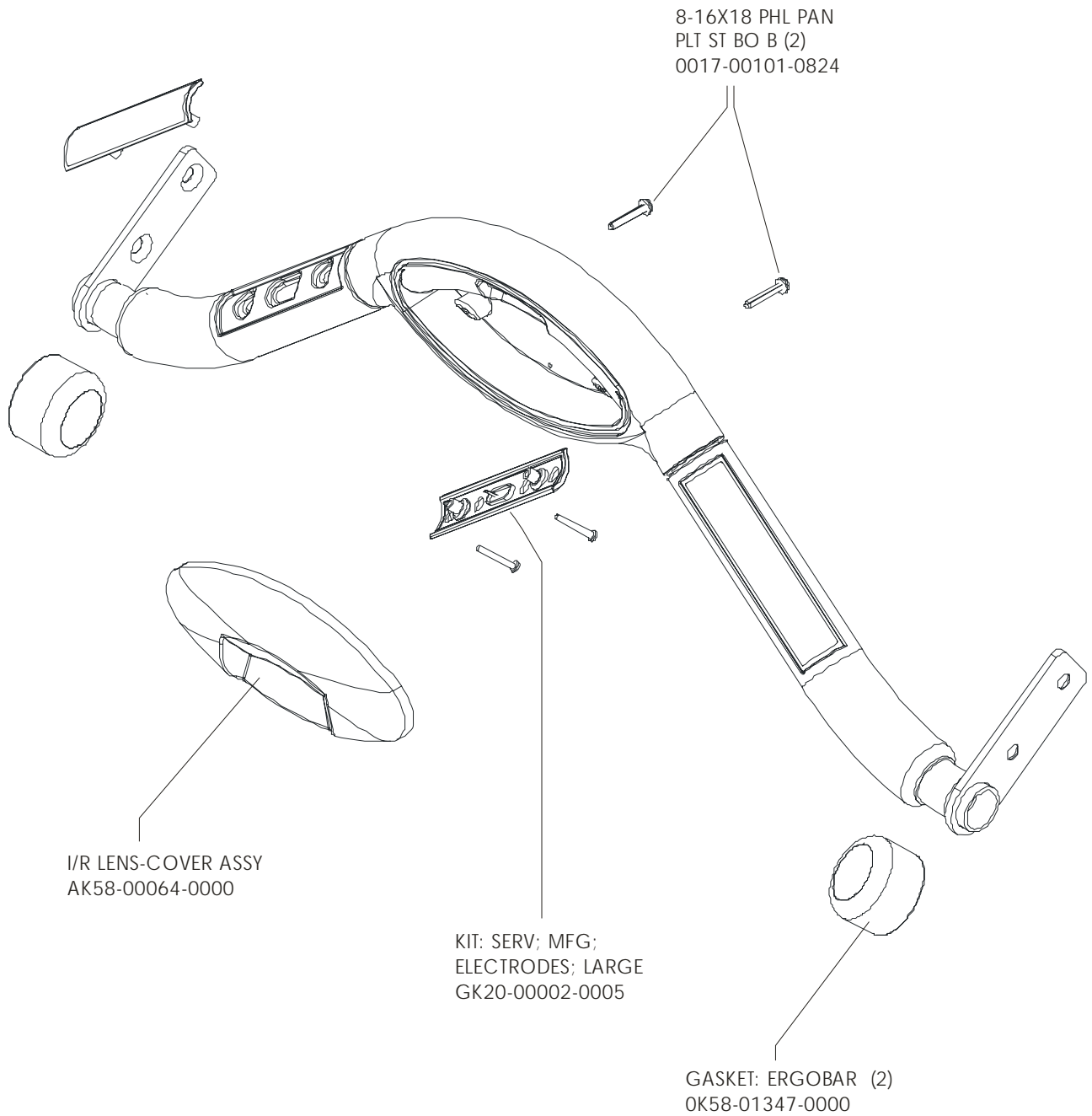


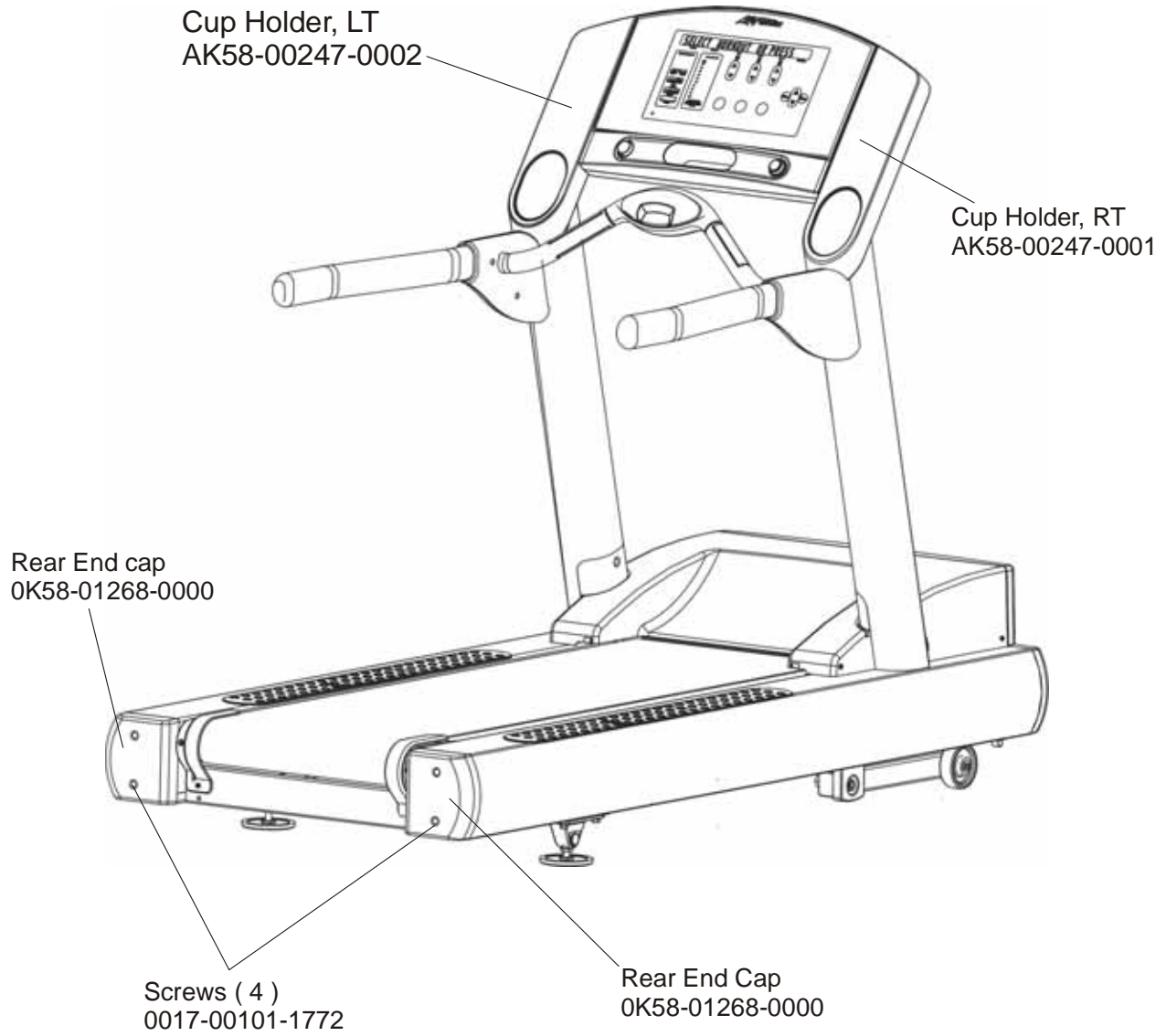
ARCTIC SILVER 97TWEZ

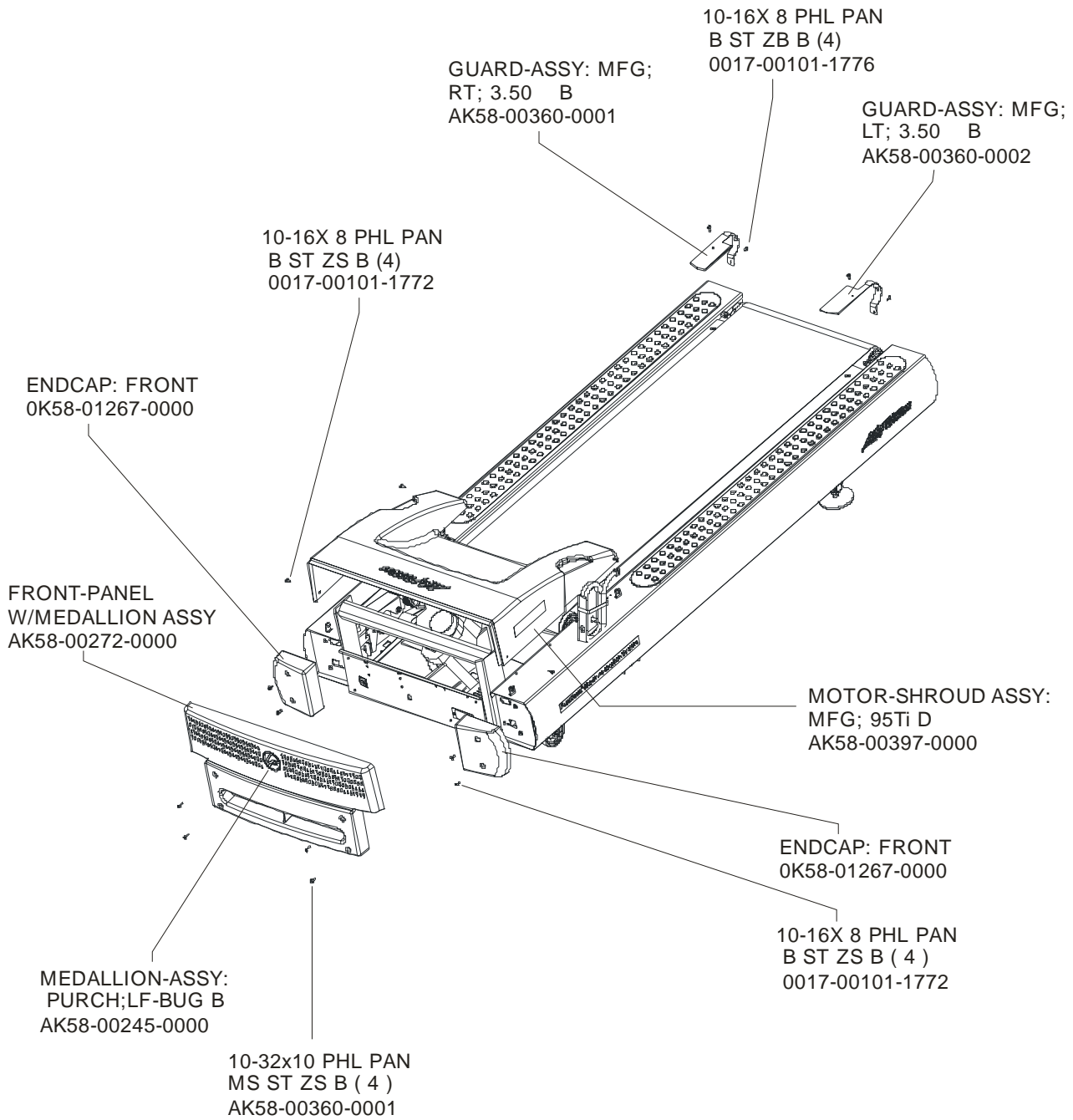
Uprights, Handrails, and Ergo Bar

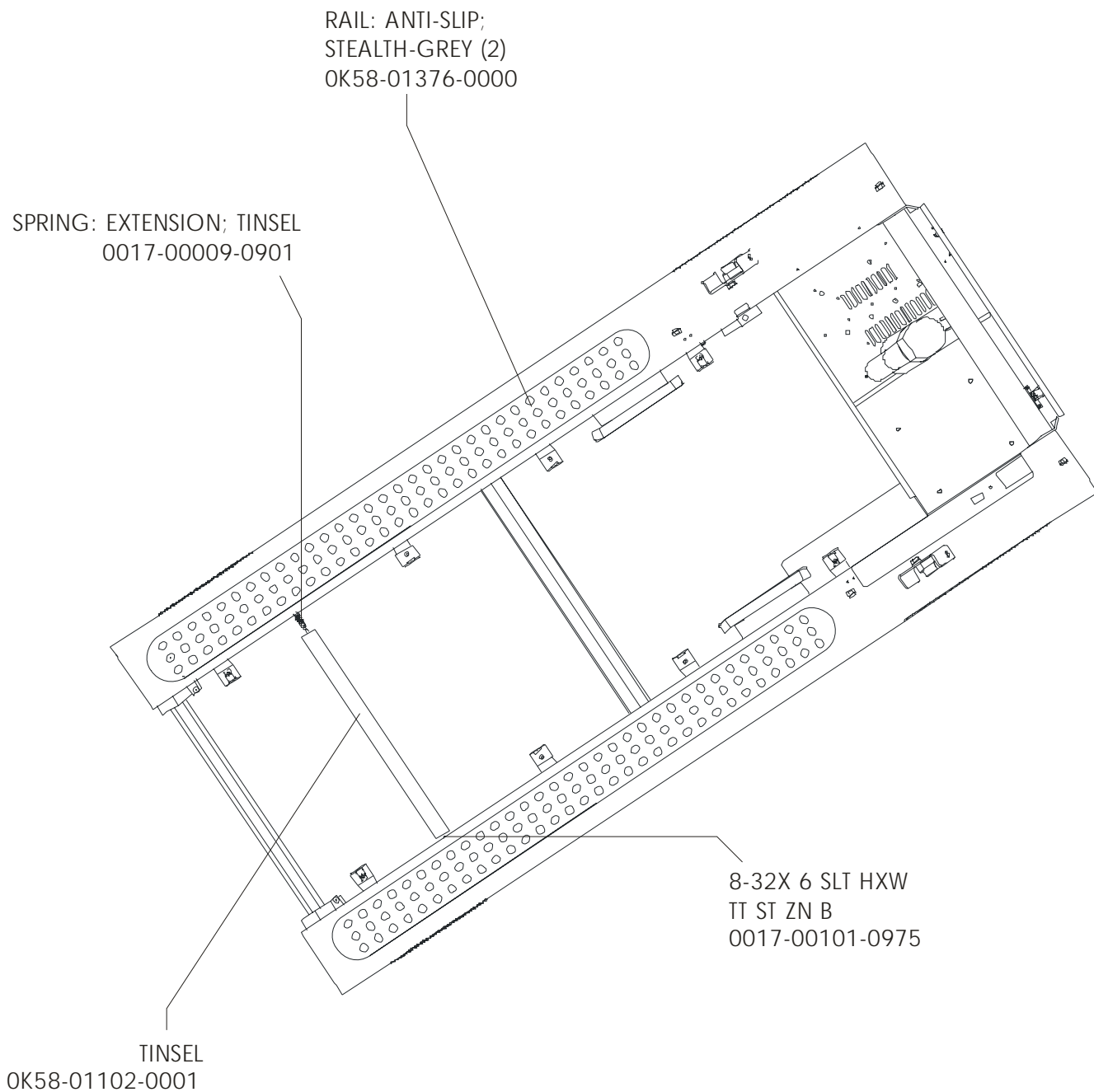
97TWEZ-XXXX-02
S/N TWY100000 and up

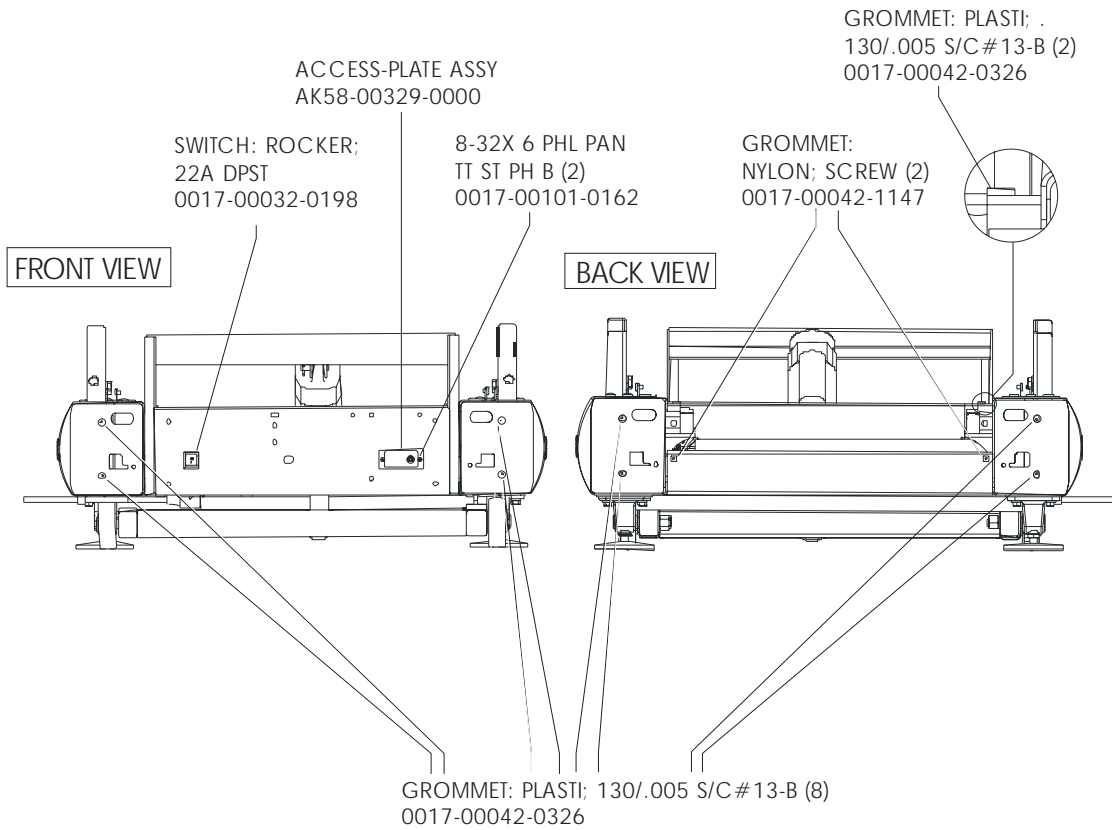
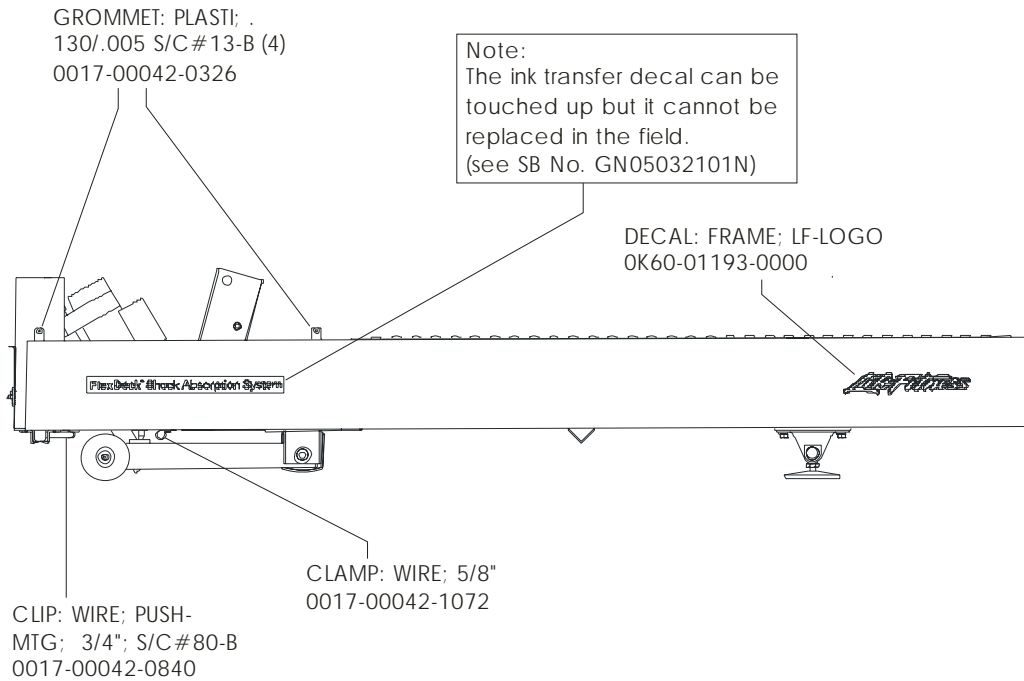


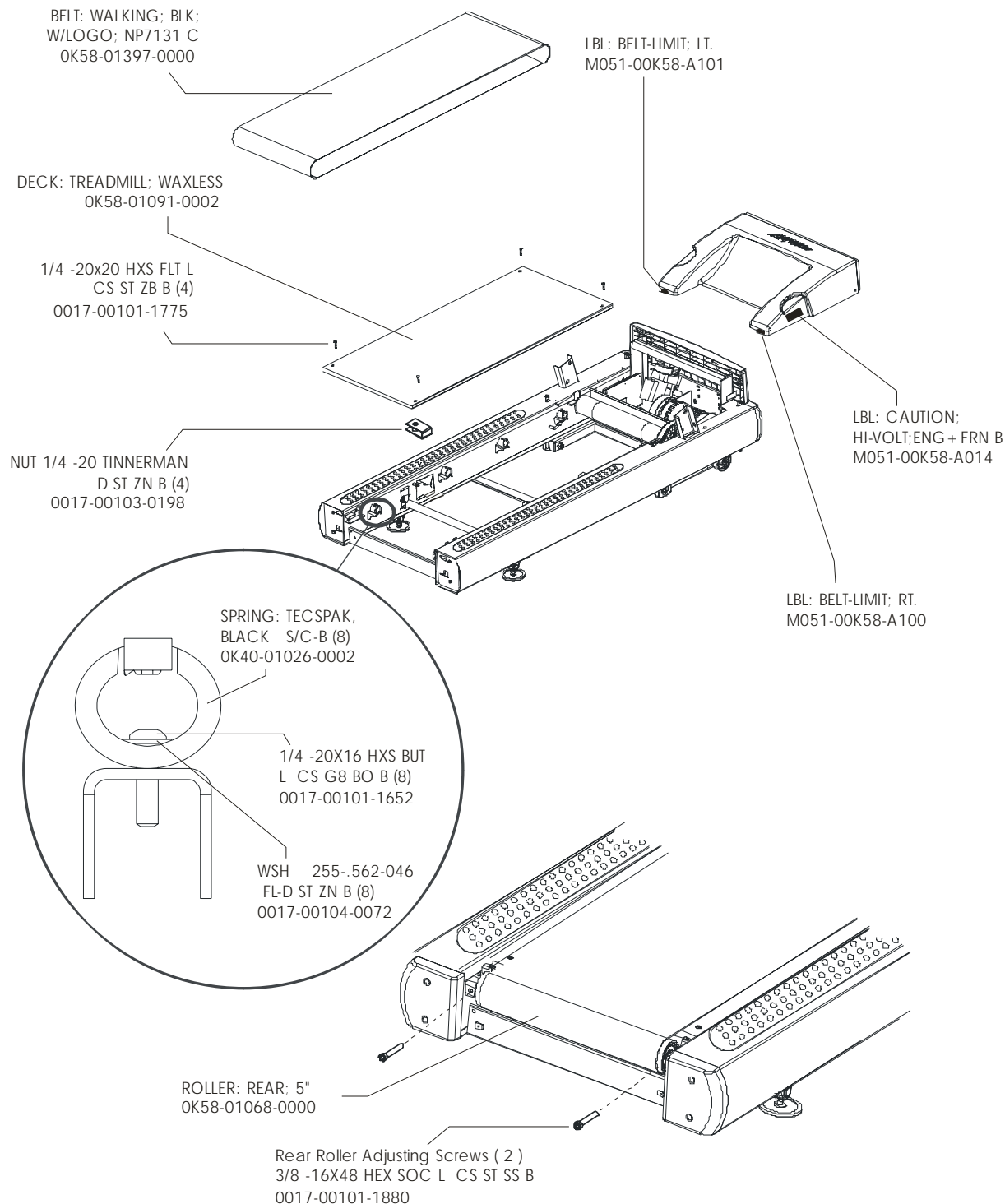








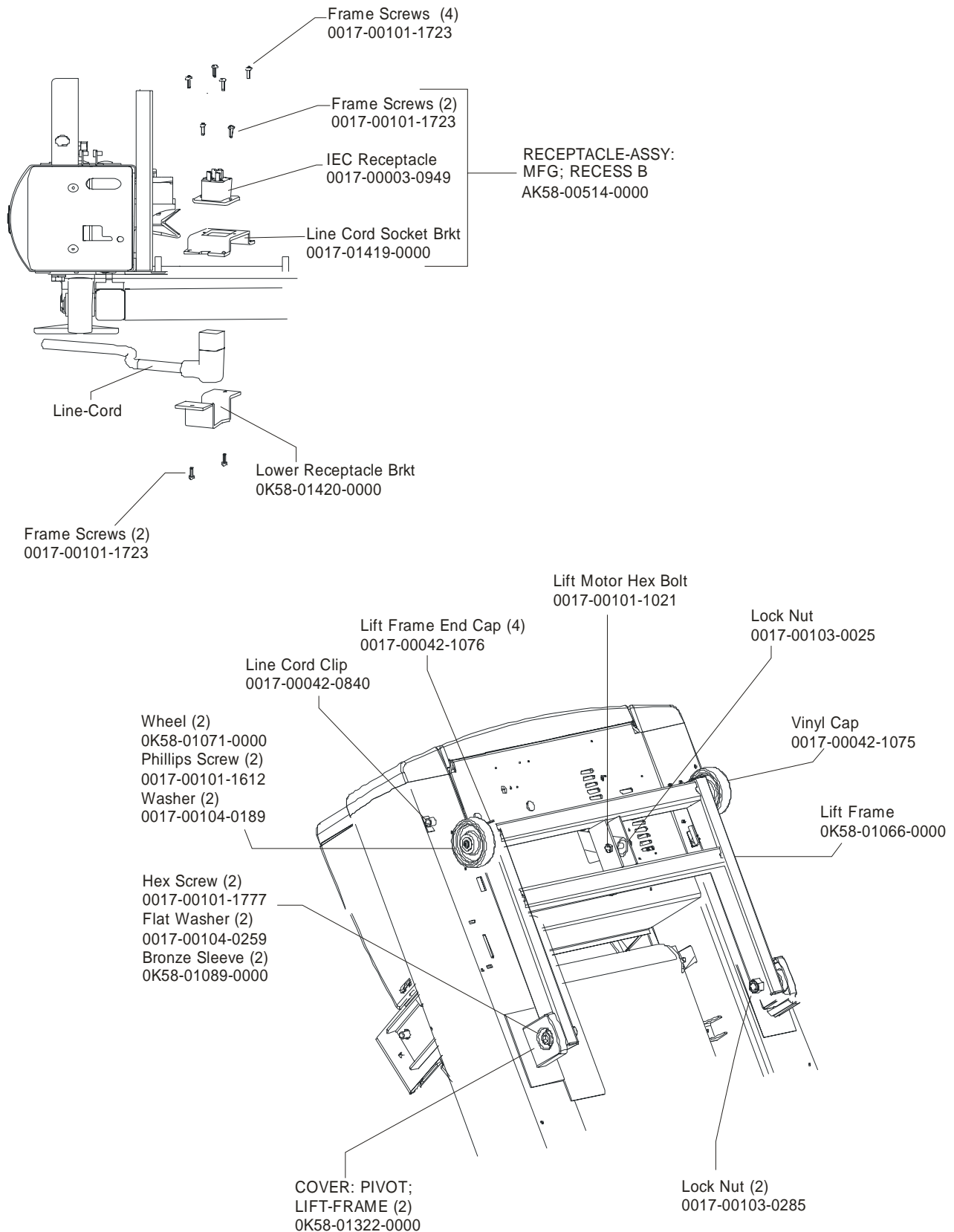


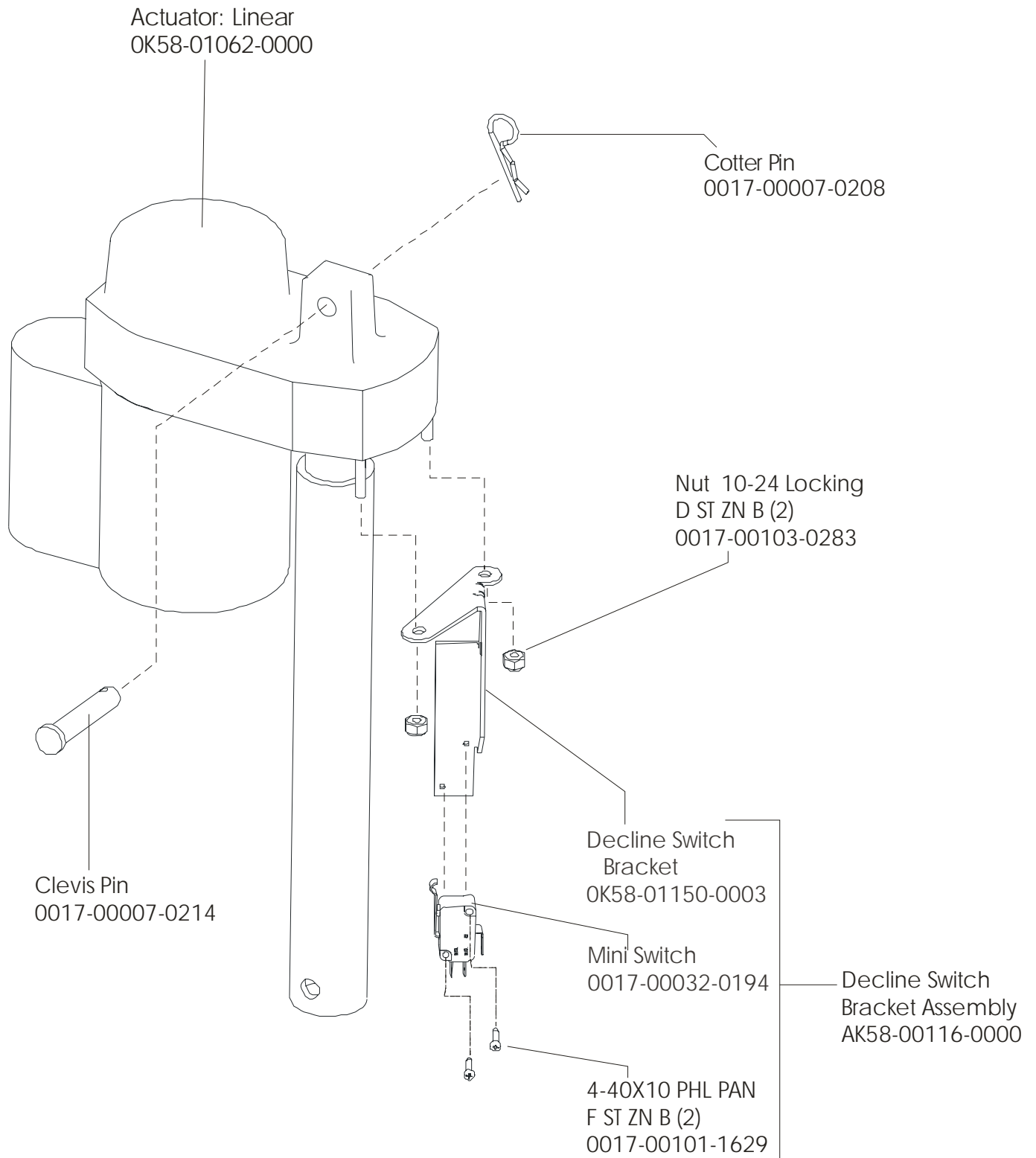


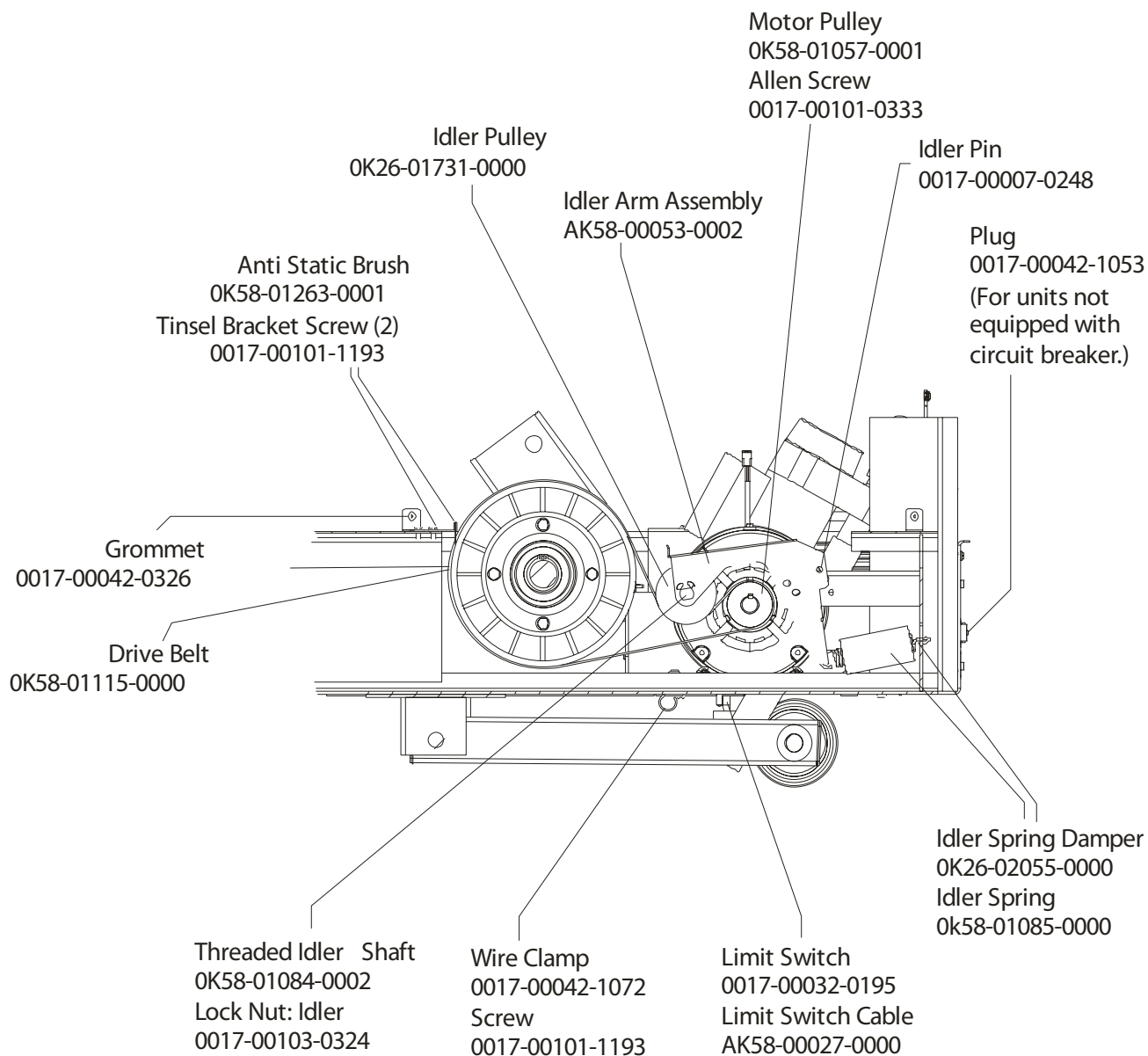
ARCTIC SILVER 97TWEZ

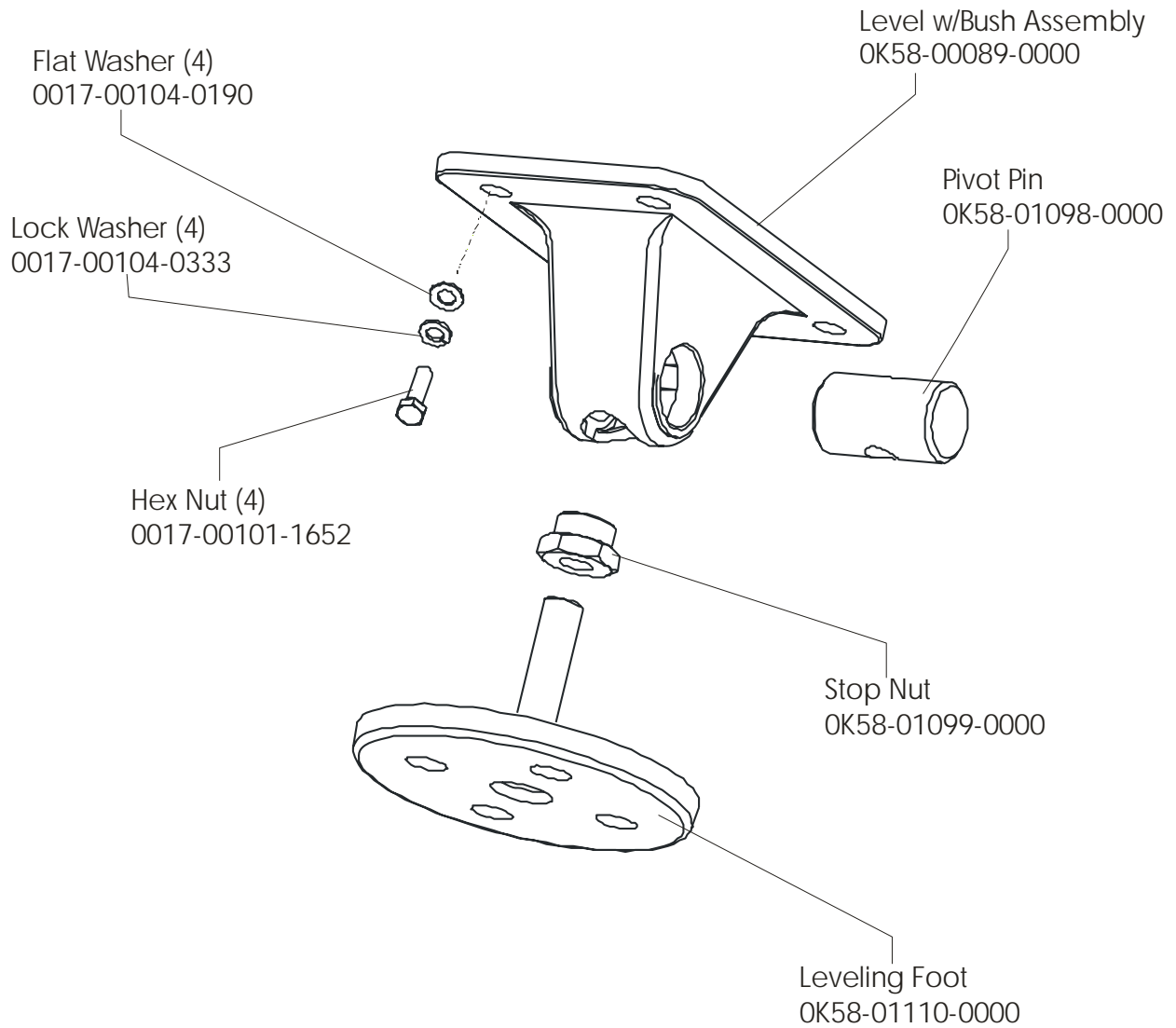
Lift Frame and Receptacle Assembly

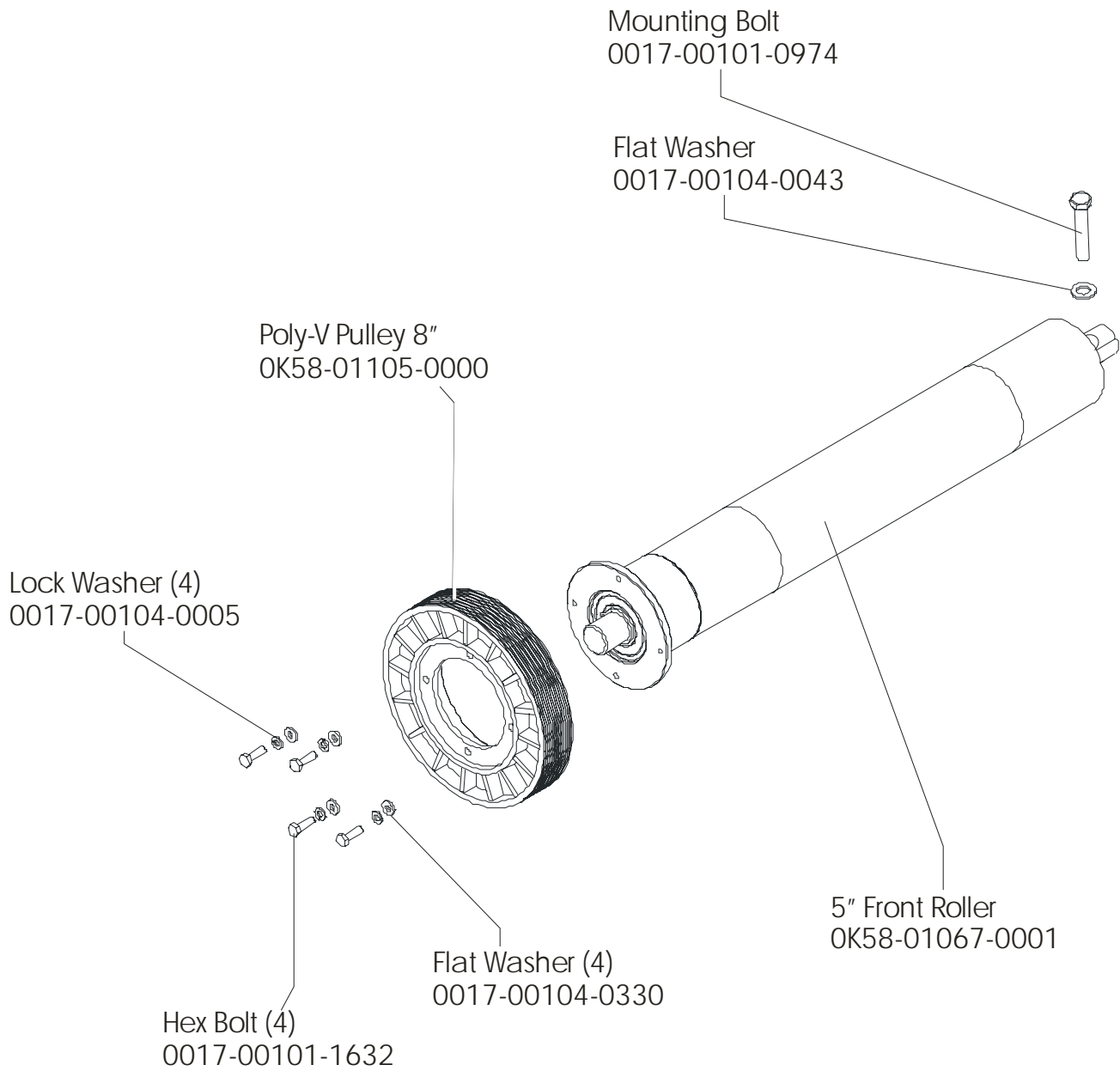
97TWEZ-XXXX-02
S/N TWY100000 and up

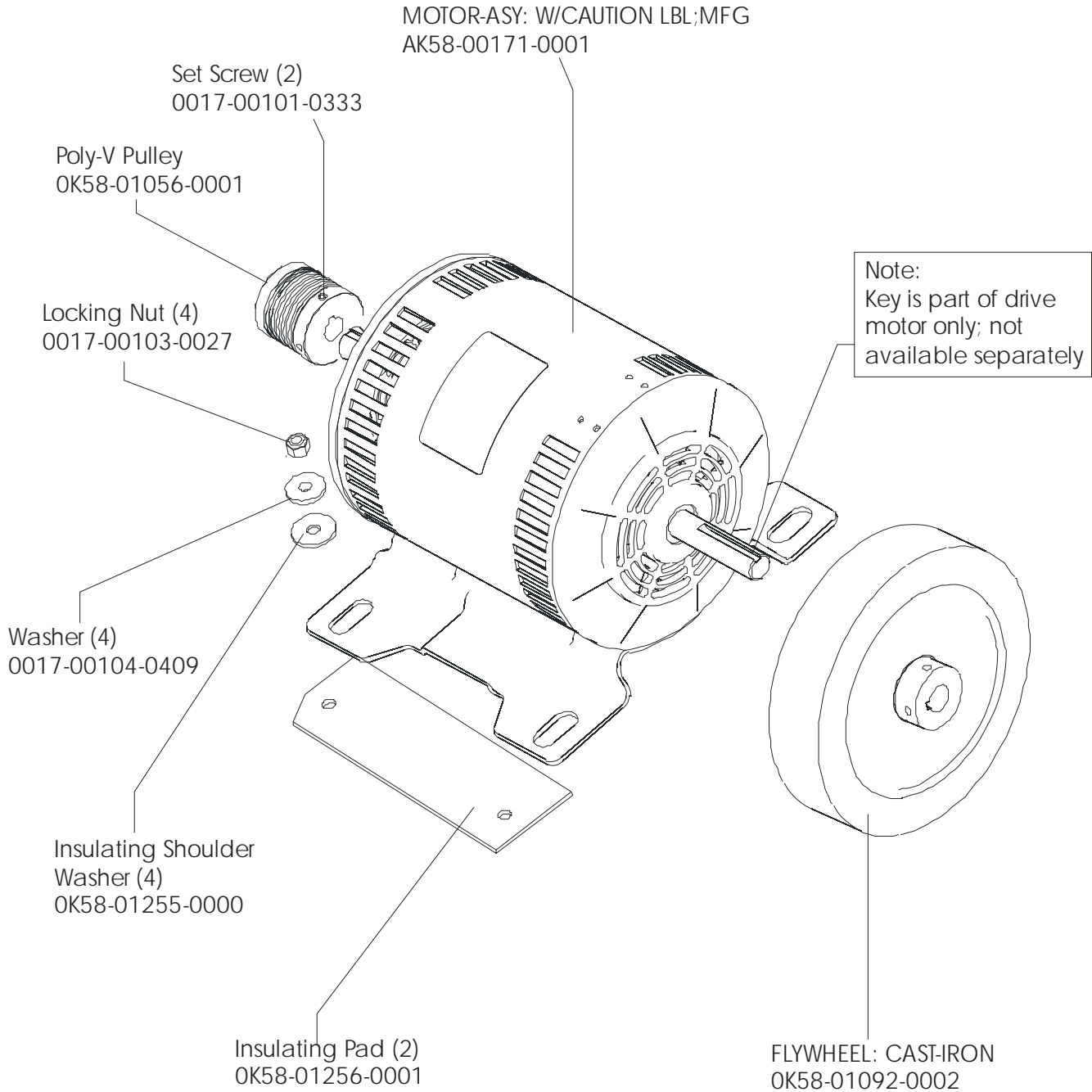


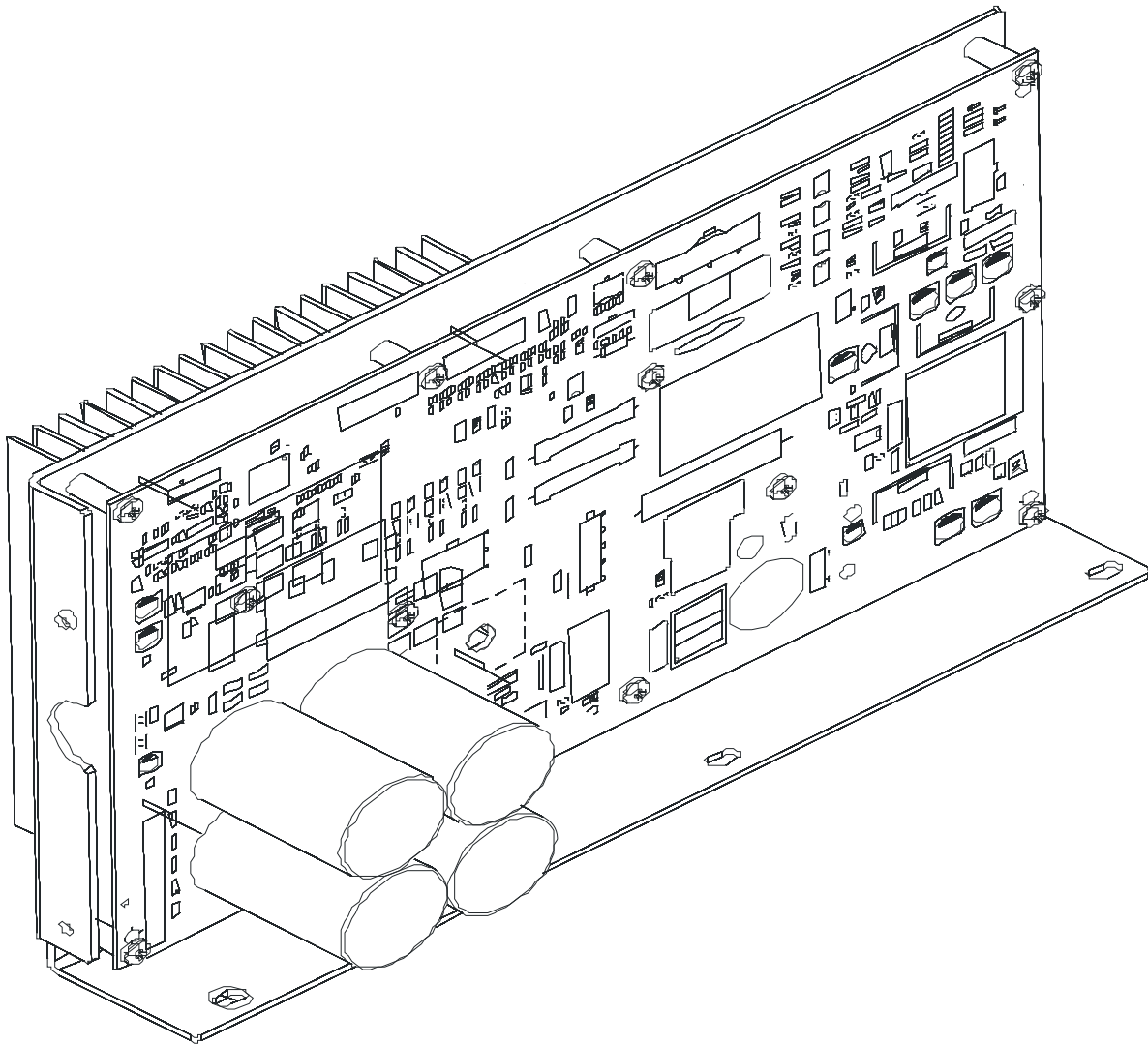












Voltage	Part No.	Description
100-120	GK58-00002-0118	KIT: SERV; MFG; DSP CONTROLLER 100-120; LED
200-240	GK58-00002-0120	KIT: SERV; MFG; DSP CONTROLLER 200-240; LED

MODEL #	MODEL DESCRIPTION	STANDARD LINE-CORDS
97TWEZ-0100-02	97TWEZ ENG/ENG 120/60 DOM	0017-00003-0974 LINE-CORD: R/A; 96"; W/RECP S/C-C
97TWEZ-0300-02	97TWEZ FRN/MET 120/60 DOM	
97TWEZ-0400-02	97TWEZ SPN/MET 120/60 DOM	
97TWEZ-0800-02	97TWEZ POR/MET 120/60 DOM	
97TWEZ-0103-02	97TWEZ ENG+MET 220/60 DOM	0017-00003-0781 LINE-CORD: R/A; 220V; USA D
97TWEZ-0105-02	97TWEZ ENG+MET 100/50 DOM	
97TWEZ-0106-02	97TWEZ ENG+MET 200/50 DOM	
97TWEZ-0705-02	97TWEZ JAP/MET 100/50 DOM	
97TWEZ-0706-02	97TWEZ JAP/MET 200/50 DOM	0017-00003-0696 LINE-CORD: R/A; CEE7; 103" 10A 250V D
97TWEZ-0101-02	97TWEZ ENG+MET 230/50 CON	
97TWEZ-0201-02	97TWEZ GER/MET 230/50 CON	
97TWEZ-0301-02	97TWEZ FRN/MET 230/50 CON	
97TWEZ-0401-02	97TWEZ SPN/MET 230/50 CON	
97TWEZ-0501-02	97TWEZ ITL/MET 230/50 CON	
97TWEZ-0601-02	97TWEZ DUT/MET 230/50 CON	
97TWEZ-0801-02	97TWEZ POR/MET 230/50 CON	0017-00003-0890 LINE-CORD: U.K; R/A
97TWEZ-1601-02	97TWEZ ENG/TUR 230/50 CON	
97TWEZ-0102-02	97TWEZ ENG+MET 240/50 UK	0017-00003-0996 LINE-CORD: IEC; AUSTRALIAN; 230/50 C
97TWEZ-0109-02	97TWEZ ENG+MET 230/50 UK	
97TWEZ-0104-02	97TWEZ ENG+MET 240V+ AUS	

OPTIONAL LINE-CORDS		
PART NUMBER	DESCRIPTION	LENGTH
0017-00003-0947	LINE-CORD: 120V; 20A;	12'
0017-00003-0915	LINE-CORD: R/A 120V	8'
0017-00003-0980	LINE-CORD: R/A; NEMA 5-20 144"	12'
0017-00003-0981	LINE-CORD: R/A; W/PLUG 220/60	7.5'
0017-00003-0948	LINE-CORD: 220V; 15A;	12'

PART NUMBER	PART DESCRIPTION	97TWEZ-XXXX-02				
		0100 120/60 DOM	0101 230/50 CON	0102 240/50 UK	0103 220/60 DOM	0104 240V+ CON
0017-00003-0626	CIRCUIT-BREAKER: 2A S/C#18-D		X	X	X	X
0017-00003-0905	XFRMR: AUTO; EURO D		X	X	X	X
0017-00003-0950	CIRCUIT-BREAKER: 4A S/C#18-D					
AK32-00020-0002	CBL-ASSY: COAX; 120" S/C-B	X	X	X	X	X
AK32-00078-0001	CBL-ASSY: PWR EXT; 120" S/C-C	X	X	X	X	X
AK32-00147-0001	CBL-ASSY: HEADPHONE/C-SAFE; LONG S/C-C	X	X	X	X	X
AK39-00064-0000	CBL-ASSY: POLAR PCB W/HEADER B	X	X	X	X	X
AK58-00031-0000	CBL-ASSY: SIDE-CONSOLE C	X	X	X	X	X
AK58-00032-0000	CBL-ASSY: USER SENSE PROX. C	X	X	X	X	X
AK58-00034-0001	CBL-ASSY: CONSOLE; PWR; UPR C	X	X	X	X	X
AK58-00036-0000	CBL-ASSY: EMERGENCY-STOP C	X	X	X	X	X
AK58-00041-0001	CBL-ASSY: H/R SENSORS C	X	X	X	X	X
AK58-00081-0000	CBL-ASSY: JUMPER; BLK; 4" B	X	X	X	X	X
AK58-00082-0000	CBL-ASSY: JUMPER; WHT; 6" B	X	X	X	X	X
AK58-00083-0000	CBL-ASSY: JUMPER; GR/YL; 5" B	X	X	X	X	X
AK58-00224-0001	CBL-ASSY: MOV; FILTER C	X	X	X	X	X
AK58-00237-0000	CBL-ASSY: POLAR/E-STOP C	X	X	X	X	X
AK58-00263-0000	CBL-ASSY: HI-POT JUMPER B	X	X	X	X	X
AK58-00520-0000	CBL-ASSY: POWER; 100-200V C	X				
AK58-00522-0000	CBL-ASSY: JUMPER; POWER; LED-CONS B	X	X	X	X	X
AK58-00524-0000	CBL-ASSY: THERMAL ADAPTER B	X	X	X	X	X
AK58-00596-0001	CBL-ASSY: POWER; 230-240V; LED; S/C-C		X	X	X	X
AK60-00009-0001	CBL-ASSY: ZERO-NEGATIVE SW; 15" S/C-C	X	X	X	X	X

PART NUMBER	PART DESCRIPTION	97TWEZ-XXXX-02				
		0105 100/50 DOM	0106 200/50 DOM	0109 230/50 UK	0201 230/50 CON	0300 120/60 DOM
0017-00003-0626	CIRCUIT-BREAKER: 2A S/C#18-D		X	X	X	
0017-00003-0905	XFRMR: AUTO; EURO D		X	X	X	
0017-00003-0950	CIRCUIT-BREAKER: 4A S/C#18-D	X				
AK32-00020-0002	CBL-ASSY: COAX; 120" S/C-B	X	X	X	X	X
AK32-00078-0001	CBL-ASSY: PWR EXT; 120" S/C-C	X	X	X	X	X
AK32-00147-0001	CBL-ASSY: HEADPHONE/C-SAFE; LONG S/C-C	X	X	X	X	X
AK39-00064-0000	CBL-ASSY: POLAR PCB W/HEADER B	X	X	X	X	X
AK58-00031-0000	CBL-ASSY: SIDE-CONSOLE C	X	X	X	X	X
AK58-00032-0000	CBL-ASSY: USER SENSE PROX. C	X	X	X	X	X
AK58-00034-0001	CBL-ASSY: CONSOLE; PWR; UPR C	X	X	X	X	X
AK58-00036-0000	CBL-ASSY: EMERGENCY-STOP C	X	X	X	X	X
AK58-00041-0001	CBL-ASSY: H/R SENSORS C	X	X	X	X	X
AK58-00081-0000	CBL-ASSY: JUMPER; BLK; 4" B	X	X	X	X	X
AK58-00082-0000	CBL-ASSY: JUMPER; WHT; 6" B	X	X	X	X	X
AK58-00083-0000	CBL-ASSY: JUMPER; GR/YL; 5" B	X	X	X	X	X
AK58-00224-0001	CBL-ASSY: MOV; FILTER C	X	X	X	X	X
AK58-00237-0000	CBL-ASSY: POLAR/E-STOP C	X	X	X	X	X
AK58-00263-0000	CBL-ASSY: HI-POT JUMPER B	X	X	X	X	X
AK58-00520-0000	CBL-ASSY: POWER; 100-200V C	X				X
AK58-00522-0000	CBL-ASSY: JUMPER; POWER; LED-CONS B	X	X	X	X	X
AK58-00524-0000	CBL-ASSY: THERMAL ADAPTER B	X	X	X	X	X
AK58-00596-0001	CBL-ASSY: POWER; 230-240V; LED; S/C-C		X	X	X	
AK60-00009-0001	CBL-ASSY: ZERO-NEGATIVE SW; 15" S/C-C	X	X	X	X	X

ARCTIC SILVER 97TWEZ

Cables for Units Between 0301-0601

97TWEZ-XXXX-02

S/N TWY100000 and up

PART NUMBER	PART DESCRIPTION	97TWEZ-XXXX-02				
		0301 230/50 CON	0400 120/60 DOM	0401 230/50 CON	0501 230/50 CON	0601 230/50 CON
0017-00003-0626	CIRCUIT-BREAKER: 2A S/C#18-D	X		X	X	X
0017-00003-0905	XFRMR: AUTO; EURO D	X		X	X	X
0017-00003-0950	CIRCUIT-BREAKER: 4A S/C#18-D					
AK32-00020-0002	CBL-ASSY: COAX; 120" S/C-B	X	X	X	X	X
AK32-00078-0001	CBL-ASSY: PWR EXT; 120" S/C-C	X	X	X	X	X
AK32-00147-0001	CBL-ASSY: HEADPHONE/C-SAFE; LONG S/C-C	X	X	X	X	X
AK39-00064-0000	CBL-ASSY: POLAR PCB W/HEADER B	X	X	X	X	X
AK58-00031-0000	CBL-ASSY: SIDE-CONSOLE C	X	X	X	X	X
AK58-00032-0000	CBL-ASSY: USER SENSE PROX. C	X	X	X	X	X
AK58-00034-0001	CBL-ASSY: CONSOLE; PWR; UPR C	X	X	X	X	X
AK58-00036-0000	CBL-ASSY: EMERGENCY-STOP C	X	X	X	X	X
AK58-00041-0001	CBL-ASSY: H/R SENSORS C	X	X	X	X	X
AK58-00081-0000	CBL-ASSY: JUMPER; BLK; 4" B	X	X	X	X	X
AK58-00082-0000	CBL-ASSY: JUMPER; WHT; 6" B	X	X	X	X	X
AK58-00083-0000	CBL-ASSY: JUMPER; GR/YL; 5" B	X	X	X	X	X
AK58-00224-0001	CBL-ASSY: MOV; FILTER C	X	X	X	X	X
AK58-00237-0000	CBL-ASSY: POLAR/E-STOP C	X	X	X	X	X
AK58-00263-0000	CBL-ASSY: HI-POT JUMPER B	X	X	X	X	X
AK58-00520-0000	CBL-ASSY: POWER; 100-200V C		X			
AK58-00522-0000	CBL-ASSY: JUMPER; POWER; LED-CONS B	X	X	X	X	X
AK58-00524-0000	CBL-ASSY: THERMAL ADAPTER B	X	X	X	X	X
AK58-00596-0001	CBL-ASSY: POWER; 230-240V; LED; S/C-C	X		X	X	X
AK60-00009-0001	CBL-ASSY: ZERO-NEGATIVE SW; 15" S/C-C	X	X	X	X	X

ARCTIC SILVER 97TWEZ

Cables for Units Between 0705-1601

97TWEZ-XXXX-02

S/N TWY100000 and up

PART NUMBER	PART DESCRIPTION	97TWEZ-XXXX-02				
		0705 100/50 DOM	0706 200/50 DOM	0800 120/60 DOM	0801 230/50 CON	1601 230/50 CON
0017-00003-0626	CIRCUIT-BREAKER: 2A S/C#18-D		X		X	X
0017-00003-0905	XFRMR: AUTO; EURO D		X		X	X
0017-00003-0950	CIRCUIT-BREAKER: 4A S/C#18-D					
AK32-00020-0002	CBL-ASSY: COAX; 120" S/C-B	X	X	X	X	X
AK32-00078-0001	CBL-ASSY: PWR EXT; 120" S/C-C	X	X	X	X	X
AK32-00147-0001	CBL-ASSY: HEADPHONE/C-SAFE; LONG S/C-C	X	X	X	X	X
AK39-00064-0000	CBL-ASSY: POLAR PCB W/HEADER B	X	X	X	X	X
AK58-00031-0000	CBL-ASSY: SIDE-CONSOLE C	X	X	X	X	X
AK58-00032-0000	CBL-ASSY: USER SENSE PROX. C	X	X	X	X	X
AK58-00034-0001	CBL-ASSY: CONSOLE; PWR; UPR C	X	X	X	X	X
AK58-00036-0000	CBL-ASSY: EMERGENCY-STOP C	X	X	X	X	X
AK58-00041-0001	CBL-ASSY: H/R SENSORS C	X	X	X	X	X
AK58-00081-0000	CBL-ASSY: JUMPER; BLK; 4" B	X	X	X	X	X
AK58-00082-0000	CBL-ASSY: JUMPER; WHT; 6" B	X	X	X	X	X
AK58-00083-0000	CBL-ASSY: JUMPER; GR/YL; 5" B	X	X	X	X	X
AK58-00224-0001	CBL-ASSY: MOV; FILTER C	X	X	X	X	X
AK58-00237-0000	CBL-ASSY: POLAR/E-STOP C	X	X	X	X	X
AK58-00263-0000	CBL-ASSY: HI-POT JUMPER B	X	X	X	X	X
AK58-00520-0000	CBL-ASSY: POWER; 100-200V C	X		X		
AK58-00522-0000	CBL-ASSY: JUMPER; POWER; LED-CONS B	X	X	X	X	X
AK58-00524-0000	CBL-ASSY: THERMAL ADAPTER B	X	X	X	X	X
AK58-00596-0001	CBL-ASSY: POWER; 230-240V; LED; S/C-C		X		X	X
AK60-00009-0001	CBL-ASSY: ZERO-NEGATIVE SW; 15" S/C-C	X	X	X	X	X

Free Manuals Download Website

<http://myh66.com>

<http://usermanuals.us>

<http://www.somanuals.com>

<http://www.4manuals.cc>

<http://www.manual-lib.com>

<http://www.404manual.com>

<http://www.luxmanual.com>

<http://aubethermostatmanual.com>

Golf course search by state

<http://golfingnear.com>

Email search by domain

<http://emailbydomain.com>

Auto manuals search

<http://auto.somanuals.com>

TV manuals search

<http://tv.somanuals.com>