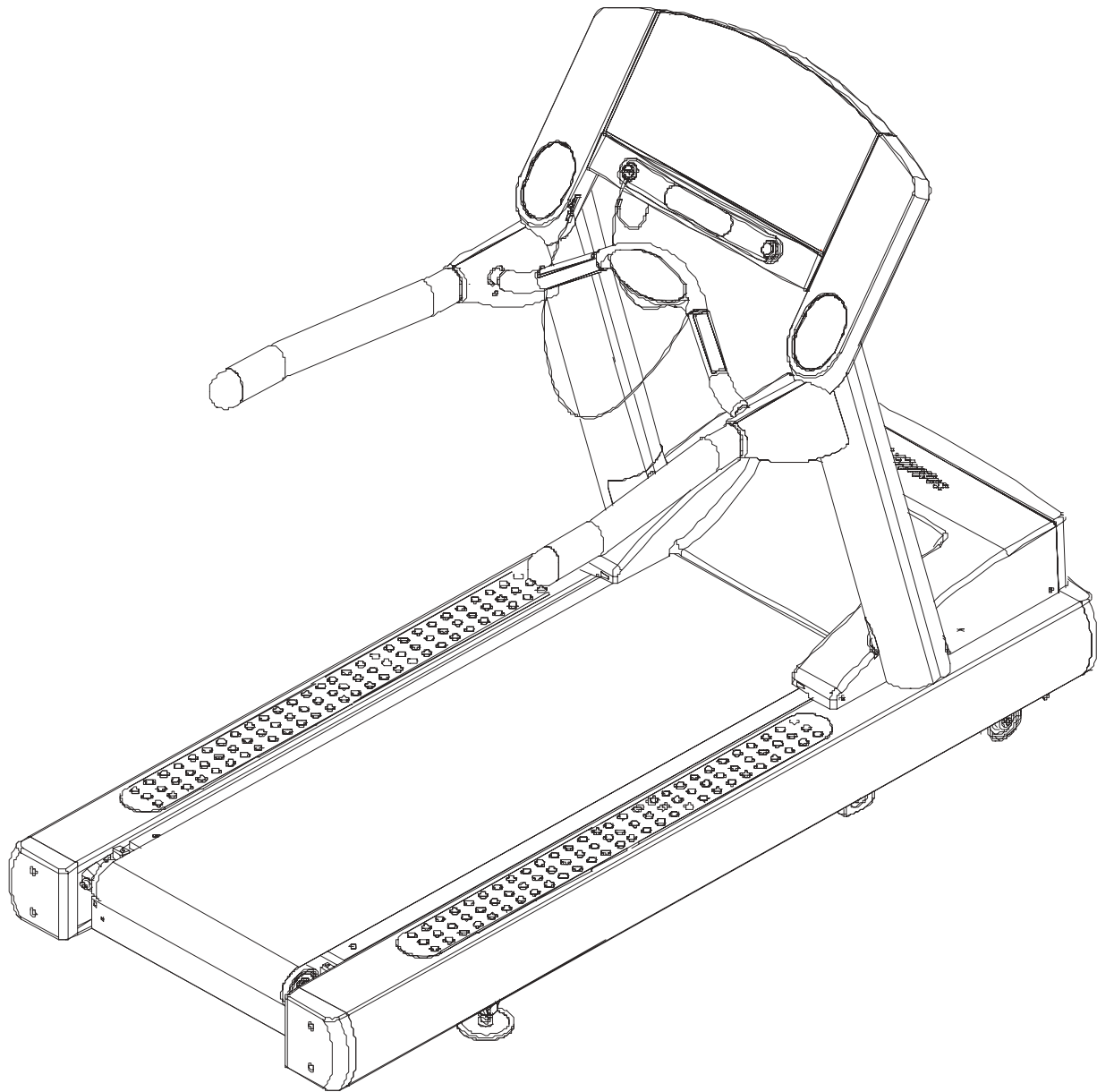


# LifeFitness

ARCTIC SILVER 93T TREADMILL



## Customer Support Services **PARTS MANUAL** rev 26 Sep 2011

<b>PLEASE NOTE:</b>				
<b>ALL OPERATION, INSTRUCTION ASSY &amp; INSTRUCTION BAG ASSY MAY NOT AVAILABLE</b>				
<b>LANGUAGE</b>	<b>OPERATION MANUAL</b>	<b>INSTRUCTION ASSEMBLY</b>	<b>INSTRUCTION BAG ASSY.</b>	<b>SERVICE MANUAL</b>
ENGLISH	M051-00K58-A330	M051-00K58-A322	AK58-00610-0000	M051-00K58-A253
FRENCH	M051-00K58-A331	M051-00K58-A323	AK58-00610-0001	
PORTUGUESE				
SPANISH				
DUTCH	M051-00K58-A332	M051-00K58-A324	AK58-00610-0002	
GERMAN				
ITALIAN				
JAPANESE	M051-00K58-A333	M051-00K58-A325	AK58-00610-0003	
EUR	M051-00K58-A272	M051-00K58-A322	AK58-00610-0004	

<b>AK58-00227-0000</b>	<b>HDWR-BAG ASSY: MFG; 93T</b>	
<b>Item</b>	<b>Description</b>	<b>Qty</b>
0K58-01305-0002	PLUG: UPRIGHT S/C-C	2
0K58-01347-0000	GASKET: ERGOBAR C	2
0K58-01348-0000	COLLAR: HANDRAIL B	2
0017-00009-1049	WRENCH: TORX; T27 B	1
0017-00042-0326	GROMMET: PLASTI; .130/.005 S/C#13-B	2
0017-00042-0840	CLIP: WIRE; PUSH-MTG; 3/4"; S/C#80-B	5
0017-00101-1770	8-15X 8 PHL PAN A SS NO B	6
0017-00101-1772	10-16X 8 PHL PAN B ST ZS B	6
0017-00101-1773	1/4 -20X 8 TRX BUT CS SS NO B	6
0017-00101-1774	5/16-18X40 TRX FLT CS ST ZS B	4
0017-00101-1778	1/2 -13X16 UNS HEX CS G5 ZB B	4
0017-00101-1780	8- X20 PHL TRS AB SS NO B	8
0017-00104-0325	WSH 516-.873-125 SL-D ST ZN B	4
0017-00103-0327	NUT 5/16-18 HEX; JAM D ST ZS B	4

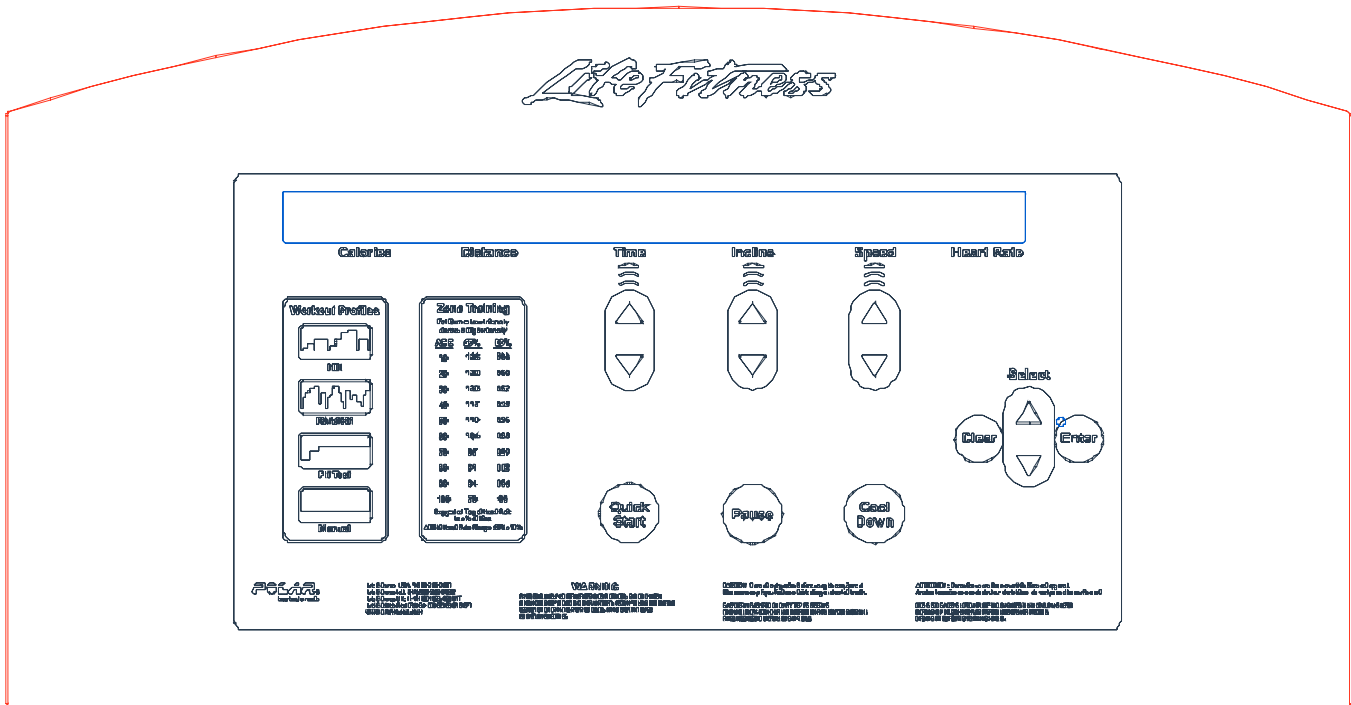
<b>GK58-00002-0095 KIT: SERV; ROLLER-GUARDS; 93/95Ti BM</b>		
<b>" Parts that are included in this kit is as follows "</b>		
Part Number	Description	Qty
AK58-00360-0001	GUARD-ASSY: MFG; RT; 3.50 B	1
AK58-00360-0002	GUARD-ASSY: MFG; LT; 3.50 B	1
M051-00K58-B128	INSTR: SERV; ROLLER-GUARDS +	1
0017-00042-0326	GROMMET: PLASTI; .130/.005 S/C#13-B	2
0017-00042-1147	GROMMET: NYLON; SCREW B	2
0017-00101-1776	10-16X 8 PHL PAN B ST ZB B	4

<b>GK58-00002-0071 KIT: SERV; ANTI-SLIP RAIL BM</b>		
Part Number	Description	Qty
Only available in the kit	INSTR:TEMPLT; ANTI-SLIP RAIL B	4
Only available in the kit	INSTR: KIT; ANTI-SLIP RAIL +	1
0K58-01376-0000	RAIL: ANTI-SLIP;STEALTH-GREY E	2
Only available in the kit	PAD: WIPE; ALCOHOL/DRY B	

<b>TOUCH UP PAINT:</b>	
0017-00008-0204	PAINT: CAN; SPRAY; ARCTIC SILVER
0017-00008-0205	PAINT: BOTTLE; ARCTIC SILVER ( .5 OZ )
0017-00008-0206	PAINT: PEN; ARCTIC SILVER ( .33 OZ )

<b>INK TRANSFER TOUCH-UP PAINT: SB No. GN05032101N</b>	
0017-00008-0210	PAINT: TOUCH-UP; SHADOW-GRAY; .6 OZ BTL.
0017-00008-0211	PAINT: TOUCH-UP; SHADOW-GRAY; .6 OZ. PEN

	Page
CONSOLE, OVERLAY ASSEMBLY & OVERLAY.....	5
CONSOLE COMPONENTS .....	6
CONSOLE COMPONENTS - JAPANESE.....	7
UPRIGHTS & HANDRAILS .....	8
ERGO-BAR W/HR ASSY- AK60-00147-0000 .....	9
REAR ENDCAPS & CUP HOLDERS .....	10
MOTOR COVER, FRONT COVER, ENDCAPS & TINSEL.....	11
ON-OFF SWITCH, ACCESS PLATE & GROMMETS.....	12
BELT, DECK & REAR ROLLER.....	13
LIFT FRAME, LIFT MOTOR & IEC RECEPTACLE.....	14
IDLER ARM ASSEMBLY .....	15
LEG LEVELER ASSEMBLY .....	16
FRONT ROLLER ASSEMBLY.....	17
DRIVE MOTOR ASSEMBLY - 93T-0100-07 ONLY .....	18
DRIVE MOTOR ASSEMBLY – ALL OTHER MODELS.....	19
WAX/LIFT ASSEMBLY FOR - 93T-0100-07 ONLY .....	20
DSP-CONTROLLER ASSEMBLY – ALL OTHER MODELS.....	21
LINE-CORDS & LINE-CORD OPTIONS.....	22
CABLES FOR UNITS BETWEEN 0100 - 0104.....	23
CABLES FOR UNITS BETWEEN 0105 - 0300.....	24
CABLES FOR UNITS BETWEEN 0301 - 0601.....	25
CABLES FOR UNITS BETWEEN 0705 - 1601.....	26



**PLEASE NOTE:**

**ALL CONSOLE, OVERLAY/BEZEL ASSY OR OVERLAY**

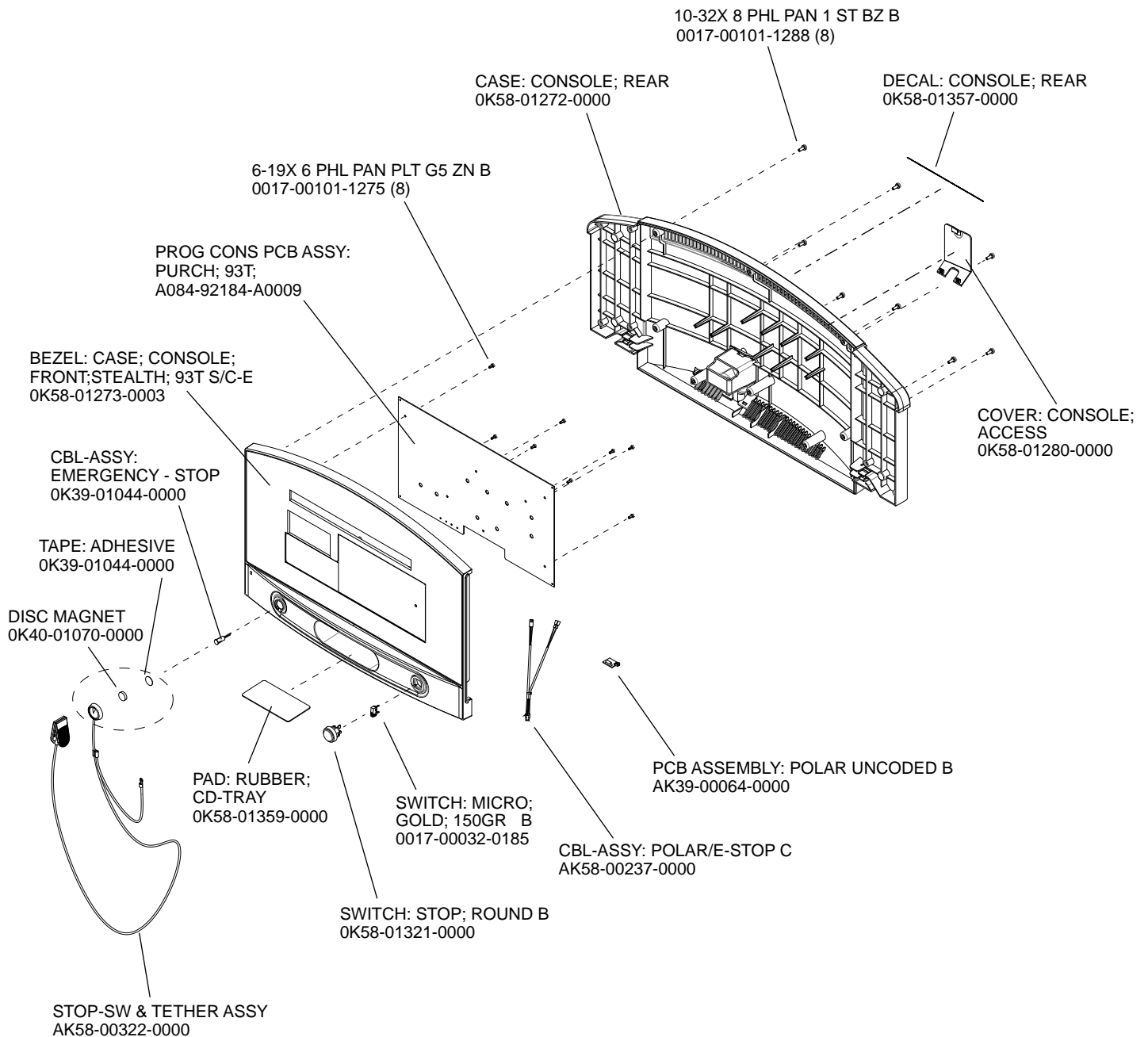
**MAY NOT BE AVAILABLE**

LANGUAGE	CONSOLE	OVERLAY/BEZEL ASSY	OVERLAY
ENG/ENG	AK58-00481-0001	AK58-00526-0001	0K58-01432-0001
ENG+MET	AK58-00481-0002	AK58-00526-0001	0K58-01432-0001
GERMAN	AK58-00481-0003	AK58-00526-0003	0K58-01432-0003
SPANISH	AK58-00481-0004	AK58-00526-0004	0K58-01432-0004
JAPANESE	AK58-00481-0006	AK58-00526-0006	0K58-01445-0006
FRENCH	AK58-00481-0007	AK58-00526-0007	0K58-01432-0007
ITALIAN	AK58-00481-0008	AK58-00526-0008	0K58-01432-0008
DUTCH	AK58-00481-0009	AK58-00526-0009	0K58-01432-0009
PORUGUESE	AK58-00481-0010	AK58-00526-0010	0K58-01432-0010

# ARCTIC SILVER 93T

## Console Components

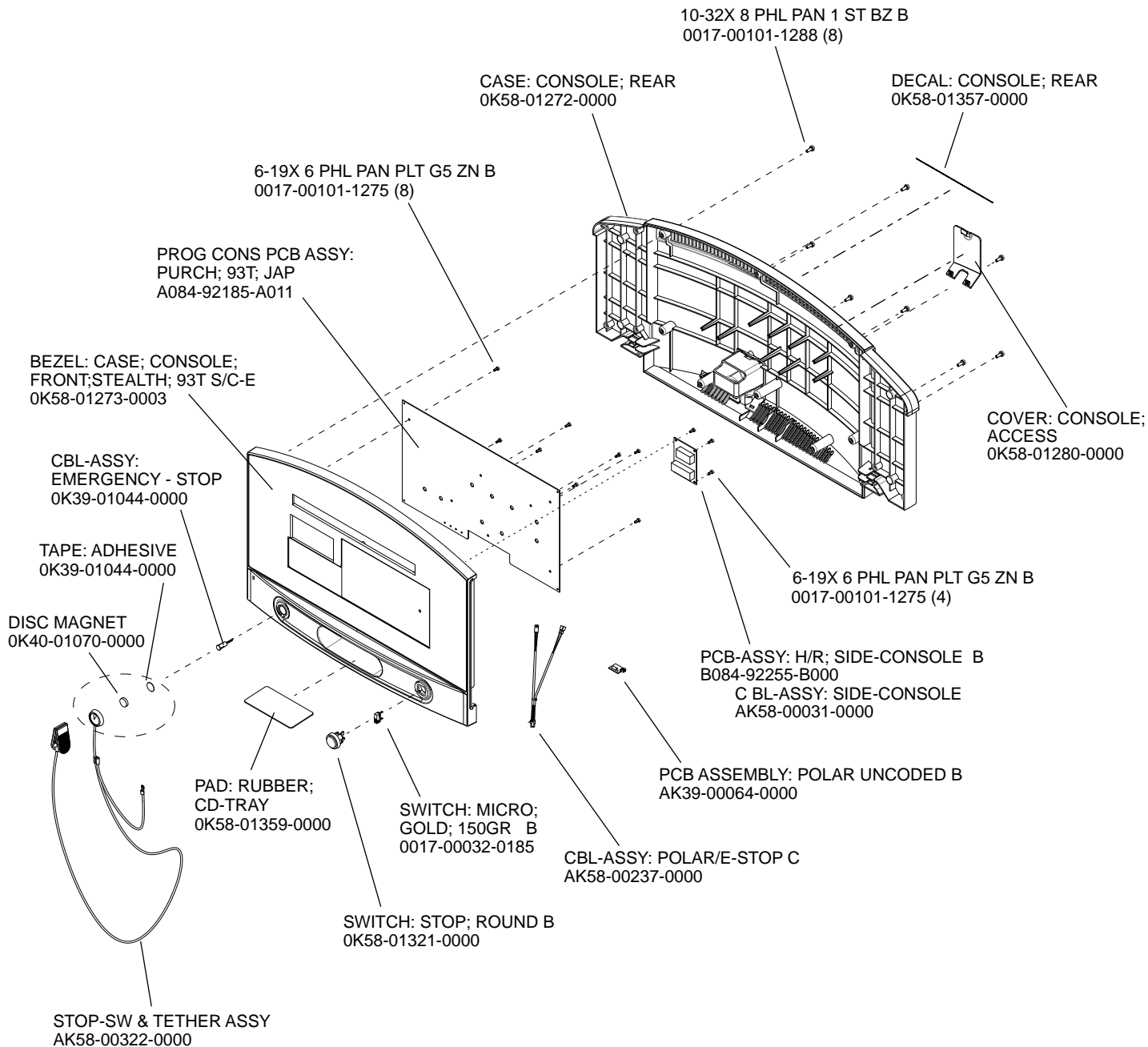
93T-XXXX-07  
S/N TSB10000 and up



# ARCTIC SILVER 93T

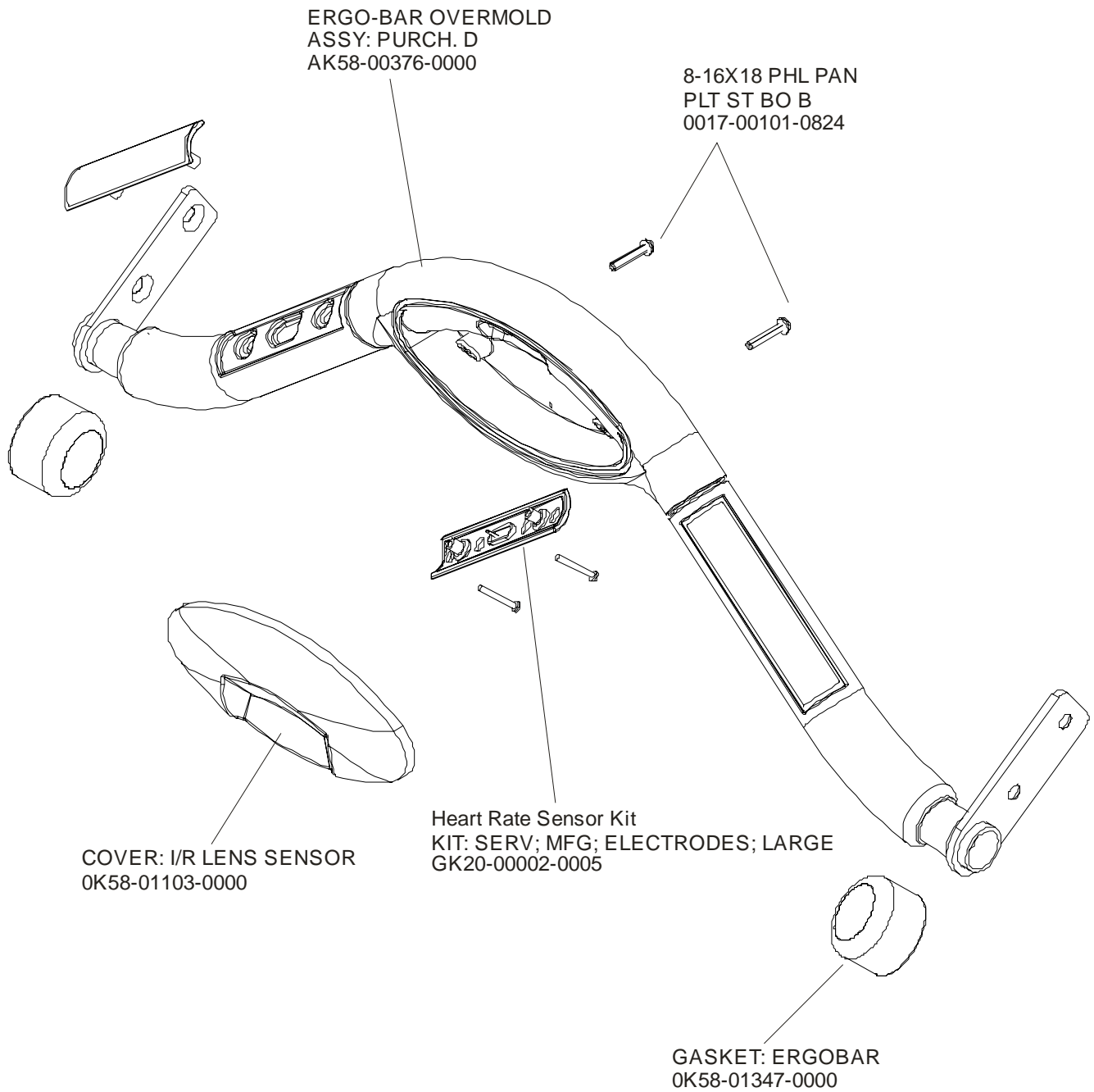
## Console Components - Japanese

93T-XXXX-07  
S/N TSB100000 and up



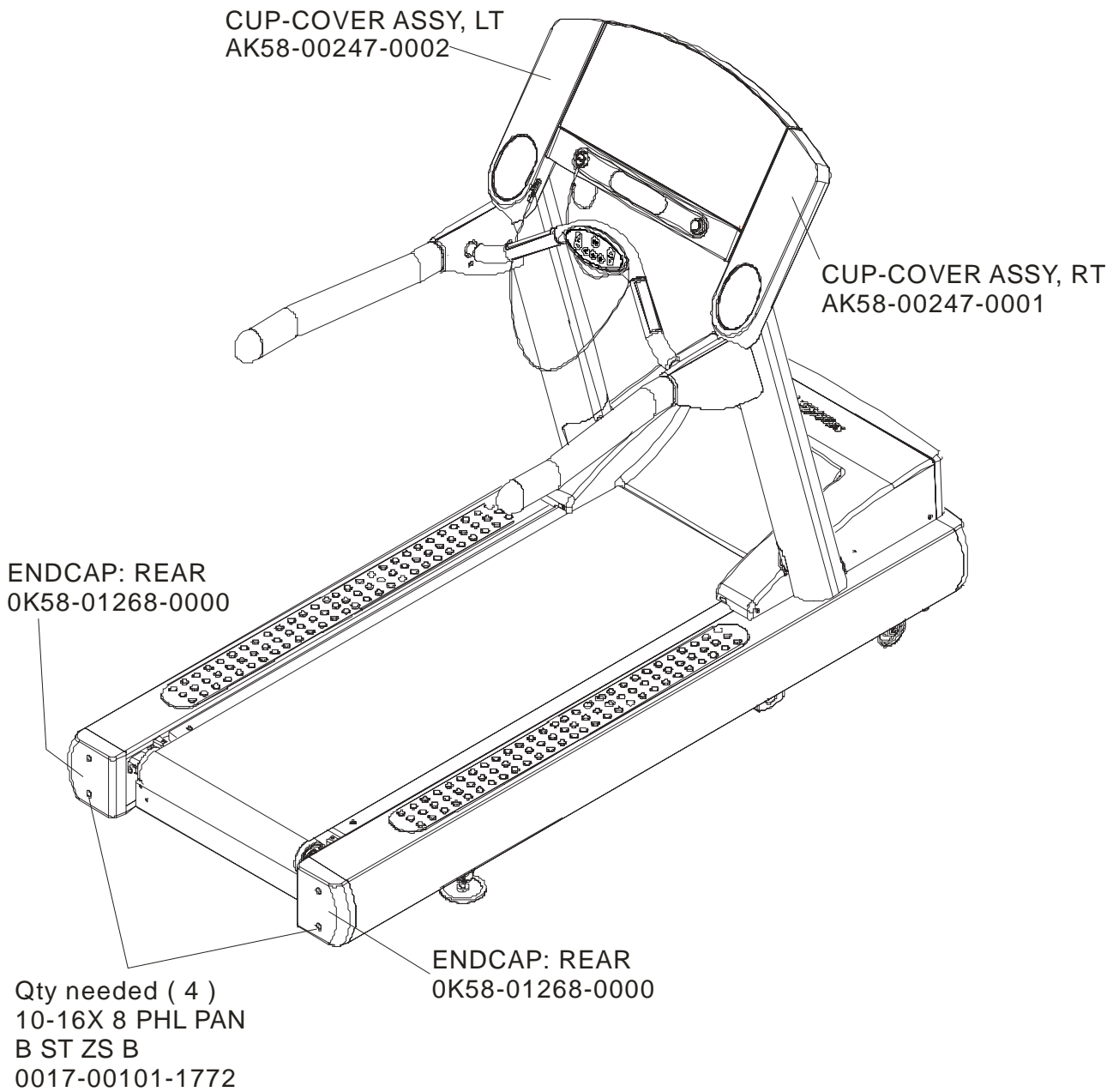






**ARCTIC SILVER 93T**  
**Rear End Caps & up Holders**

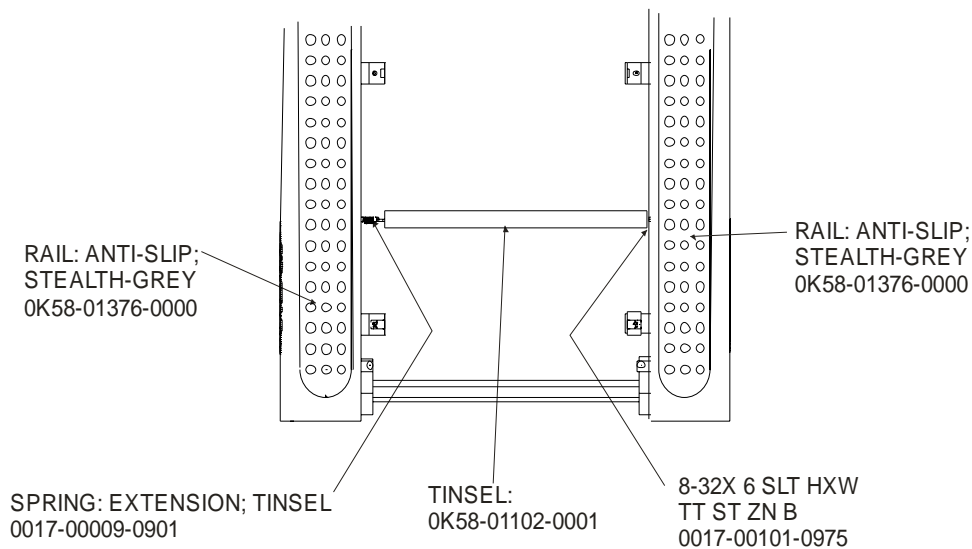
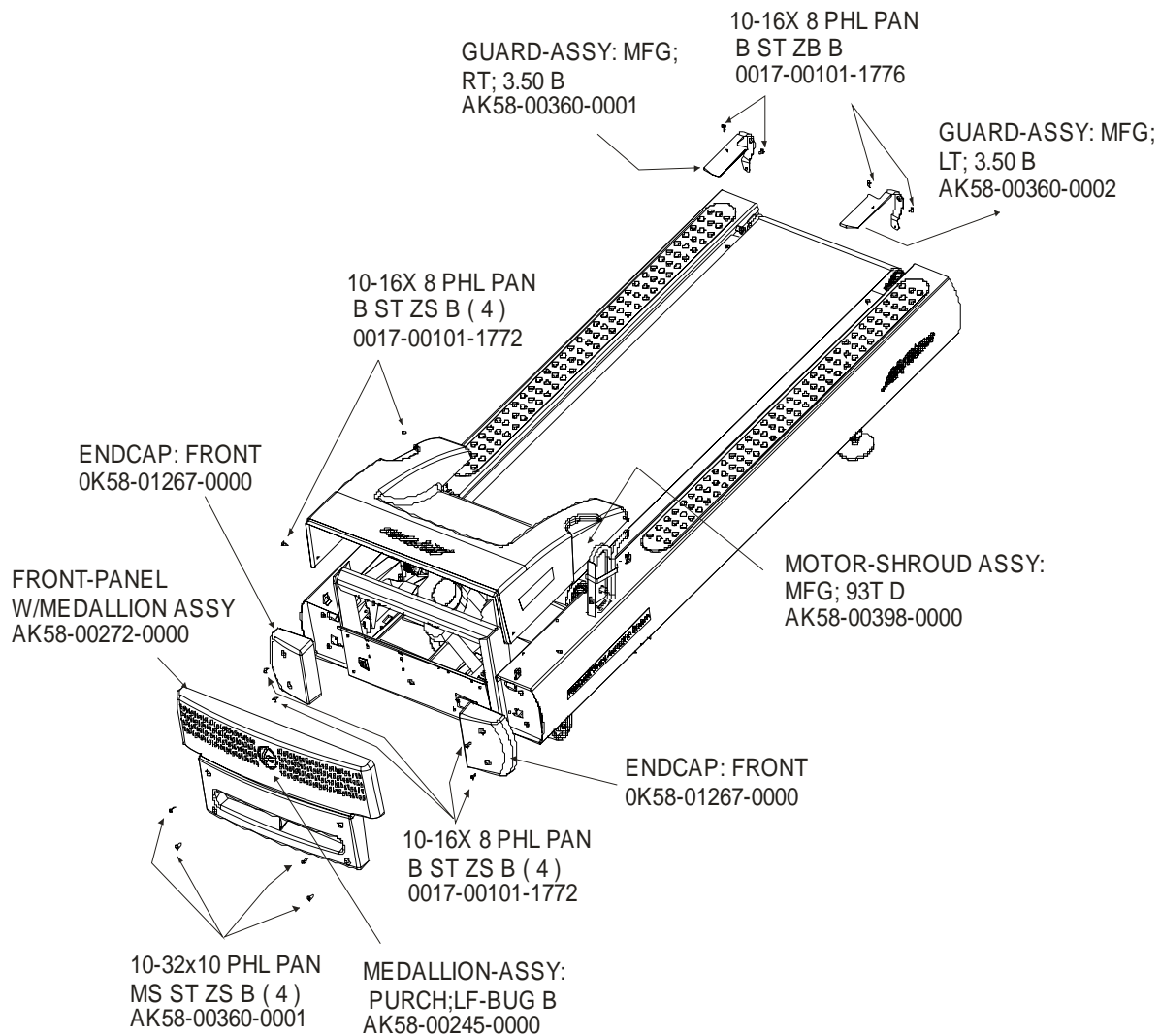
**93T-XXXX-07**  
**S/N TSB100000 and up**



# ARCTIC SILVER 93T

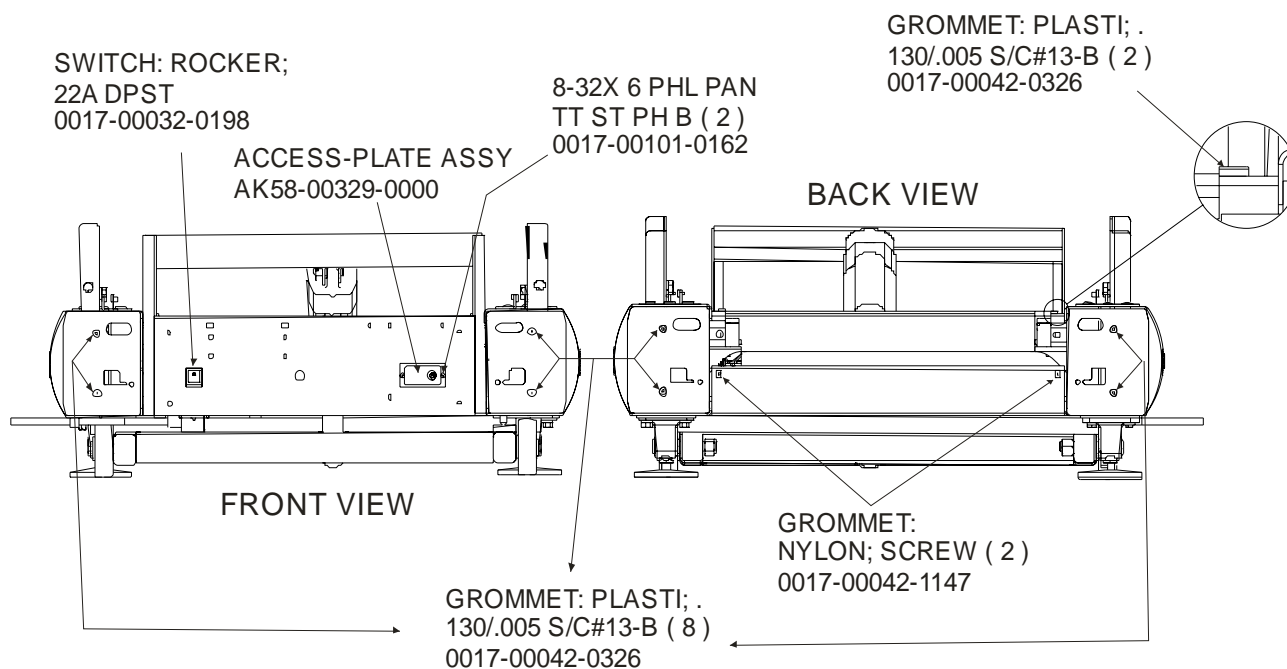
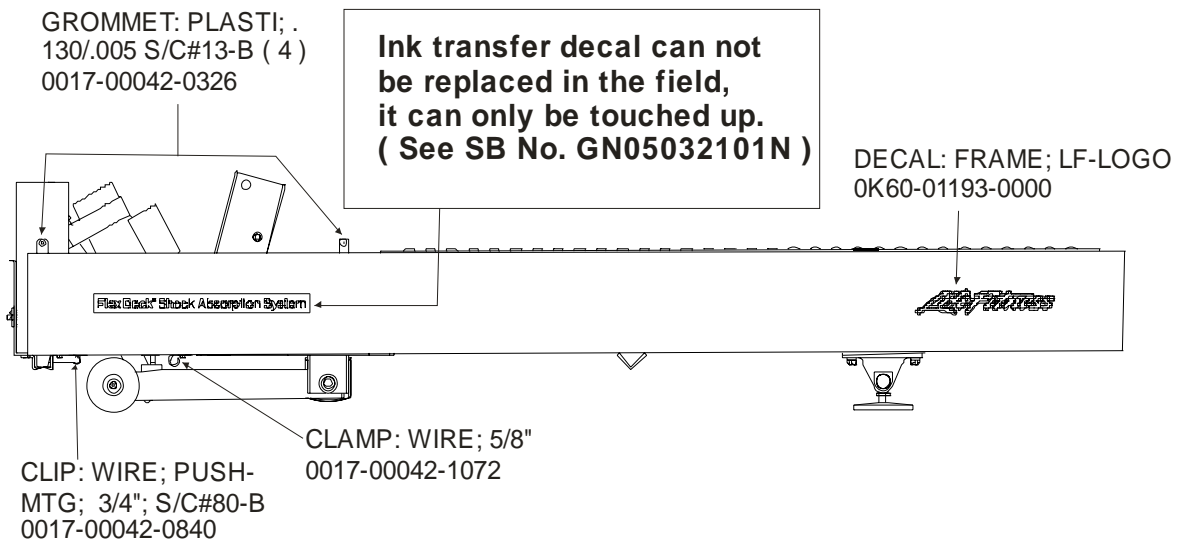
93T-XXXX-07

## Motor Cover, Front Cover, Front End Caps & Tinsel S/N TSB100000 and up



**ARCTIC SILVER 93T**  
**On-Off Switch, Access Plate & Grommets**

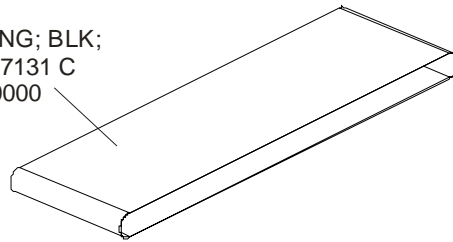
**93T-XXXX-07**  
**S/N TSB100000 and up**



**ARCTIC SILVER 93T**  
**Belt, Deck & Rear Roller**

**93T-XXXX-07**  
**S/N TSB100000 and up**

BELT: WALKING; BLK;  
 W/LOGO; NP7131 C  
 OK58-01400-0000

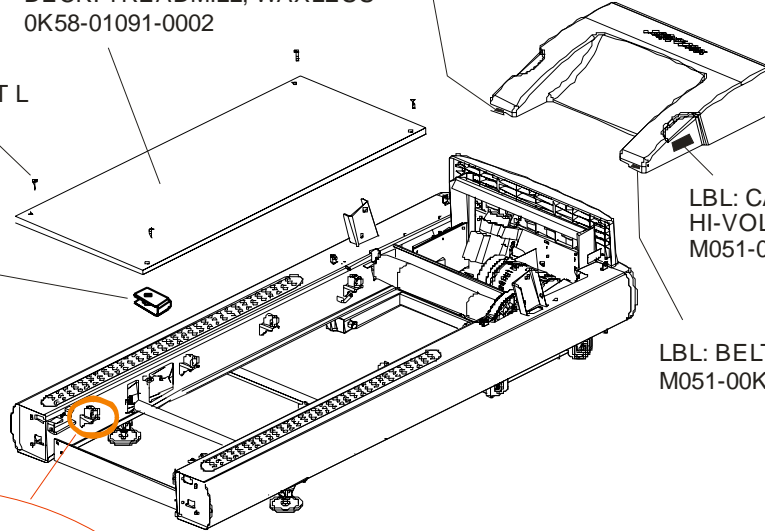


LBL: BELT-LIMIT; LT.  
 M051-00K58-A101

DECK: TREADMILL; WAXLESS  
 OK58-01091-0002

1/4 -20x20 HXS FLT L  
 CS ST ZB B (4)  
 0017-00101-1775

NUT 1/4 -20 TINNEMAN  
 D ST ZN B (4)  
 0017-00103-0198



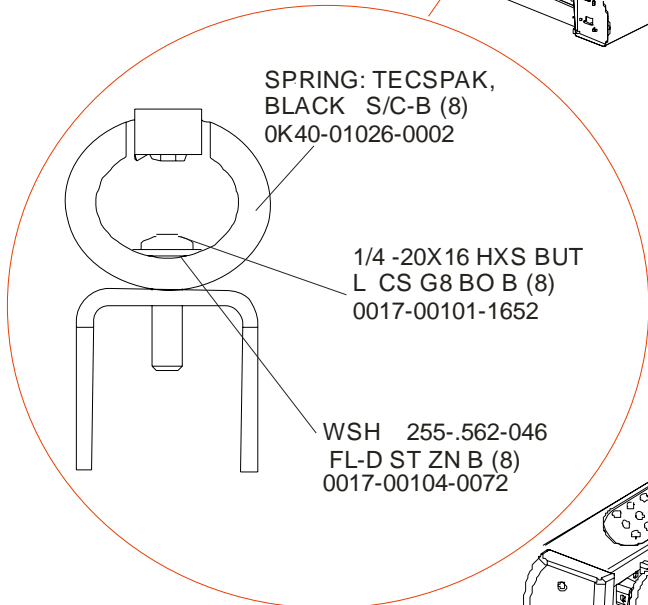
LBL: CAUTION;  
 HI-VOLT;ENG+FRN B  
 M051-00K58-A014

LBL: BELT-LIMIT; RT.  
 M051-00K58-A100

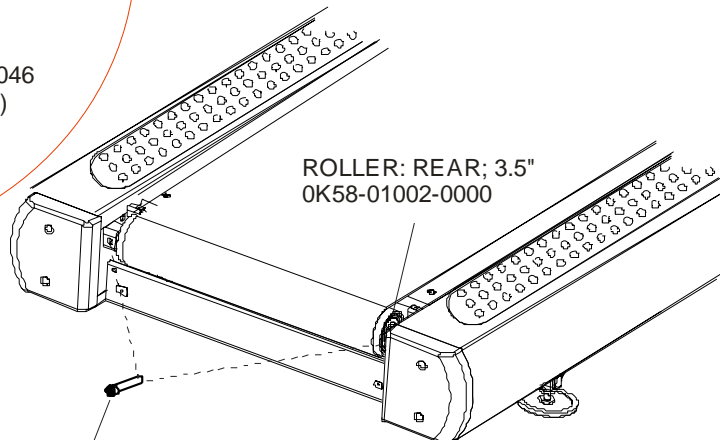
SPRING: TECSPAK,  
 BLACK S/C-B (8)  
 OK40-01026-0002

1/4 -20X16 HXS BUT  
 L CS G8 BO B (8)  
 0017-00101-1652

WSH 255-.562-046  
 FL-D ST ZN B (8)  
 0017-00104-0072



ROLLER: REAR; 3.5"  
 OK58-01002-0000



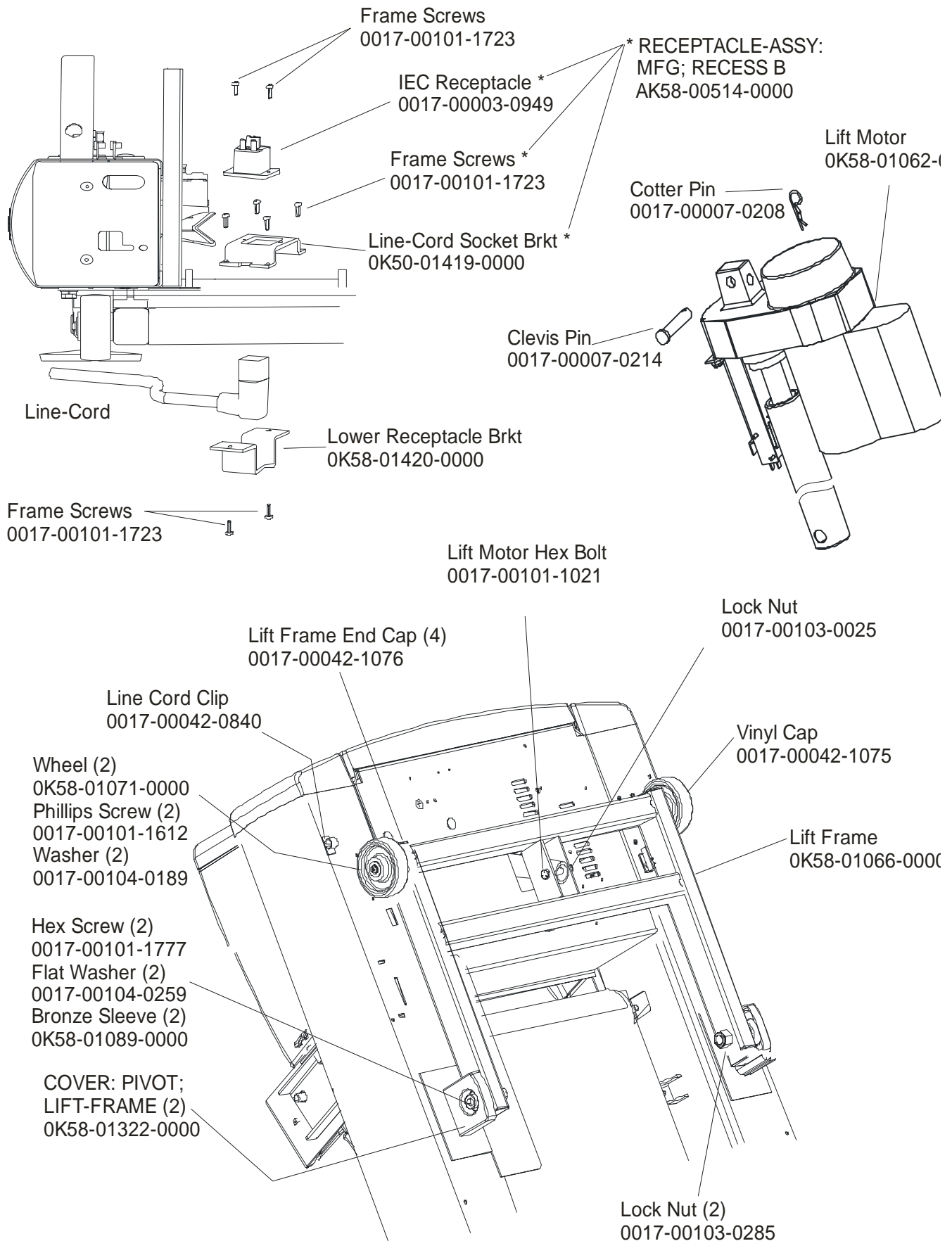
Rear Roller Adjusting Bolt ( 2 )  
 3/8 -16X48 HEX SOC L CS ST SS B  
 0017-00101-1880

# ARCTIC SILVER 93T

## Lift Frame , Lift Motor & IEC Receptacle

93T-XXXX-07

S/N TSB100000 and up

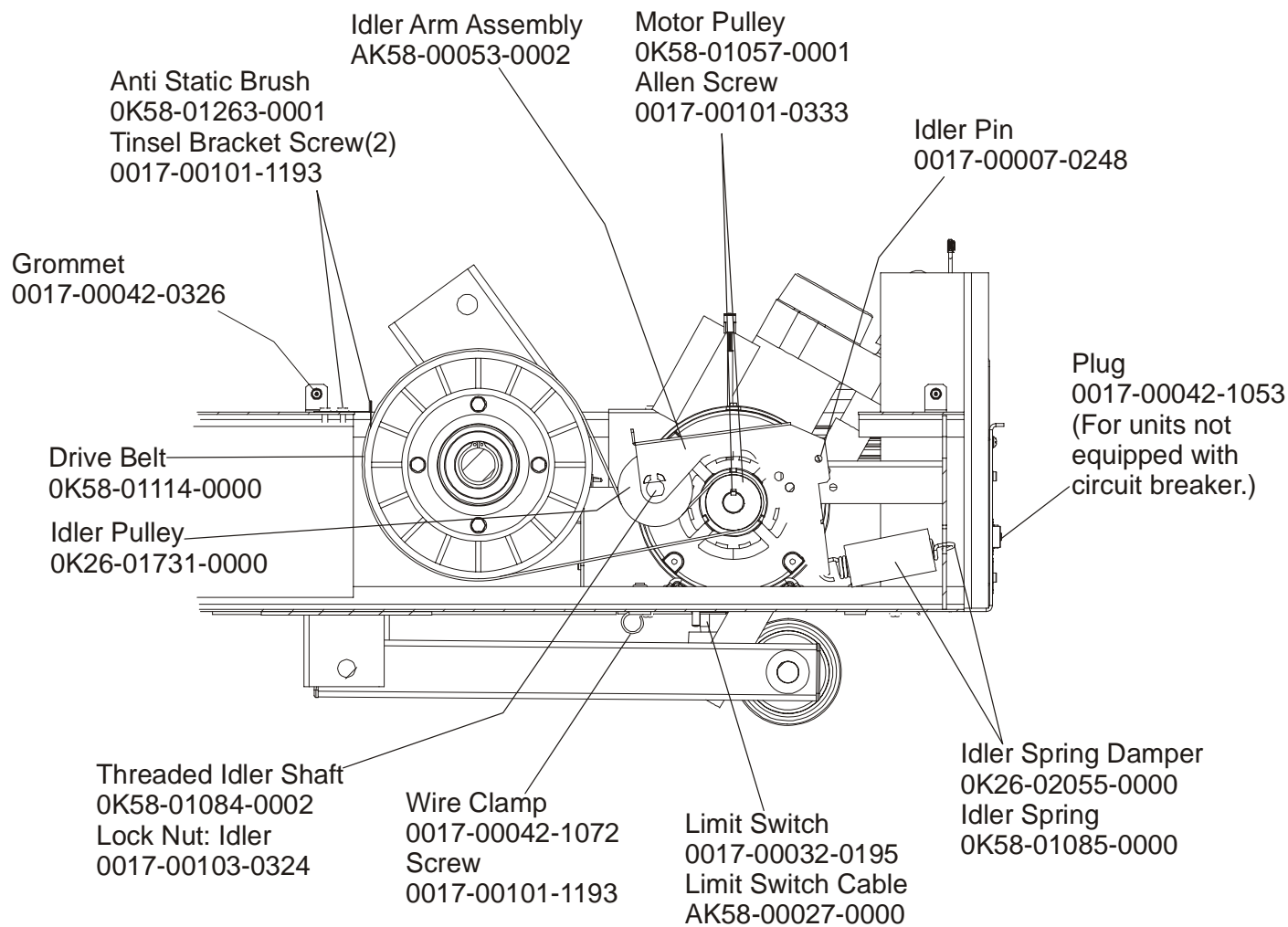


# ARCTIC SILVER 93T

## Idler Arm Assy.

93T-XXXX-07

S/N TSB100000 and up

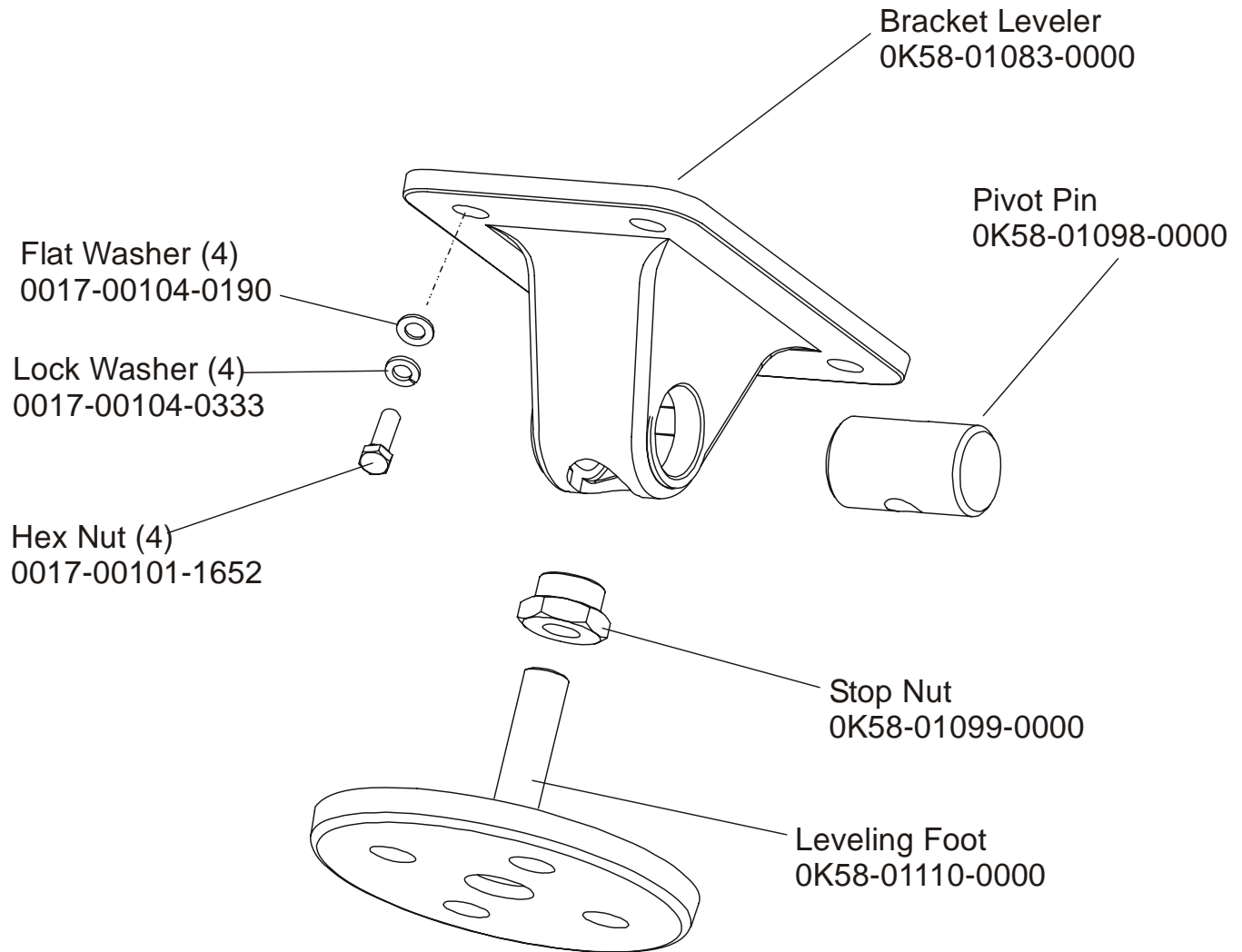


**ARCTIC SILVER 93T**

**Leg Leveler Assembly – AK58-00370-0000**

**93T-XXXX-07**

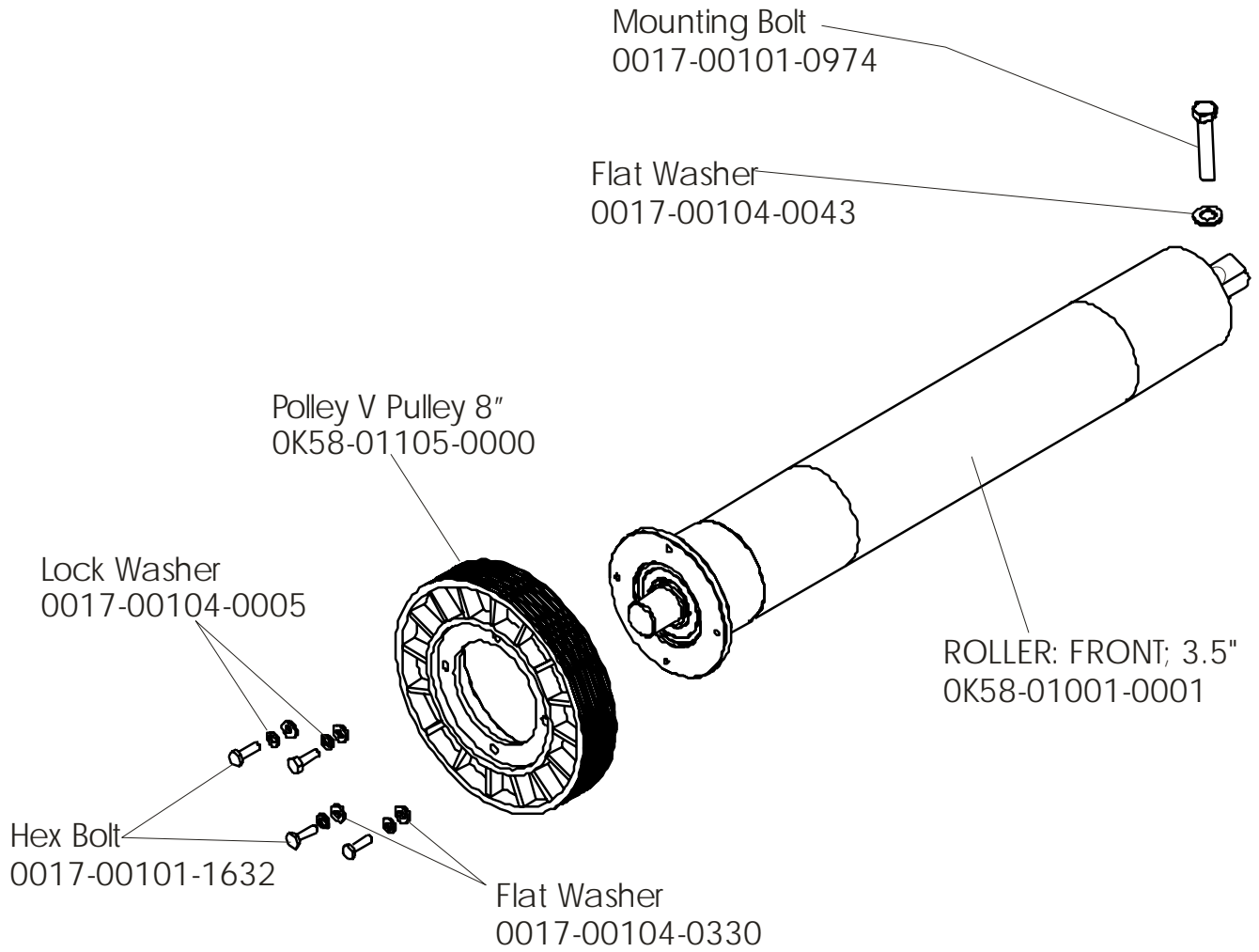
**S/N TSB100000 and up**





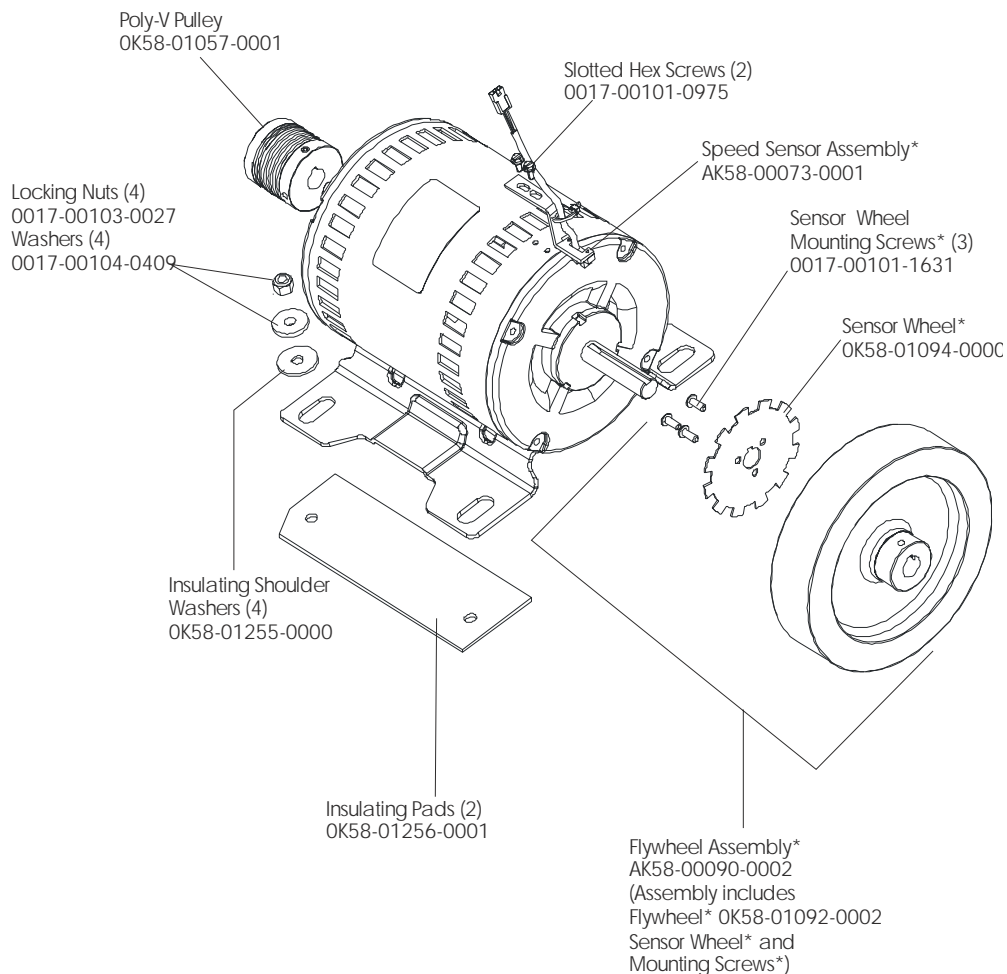
**ARCTIC SILVER 93T**  
**Front Roller Assy.- AK58-00066-0000**

**93T-XXXX-07**  
**S/N TSB100000 and up**



**ARCTIC SILVER 93T**  
**Drive Motor Assembly - 93T-0100-07**

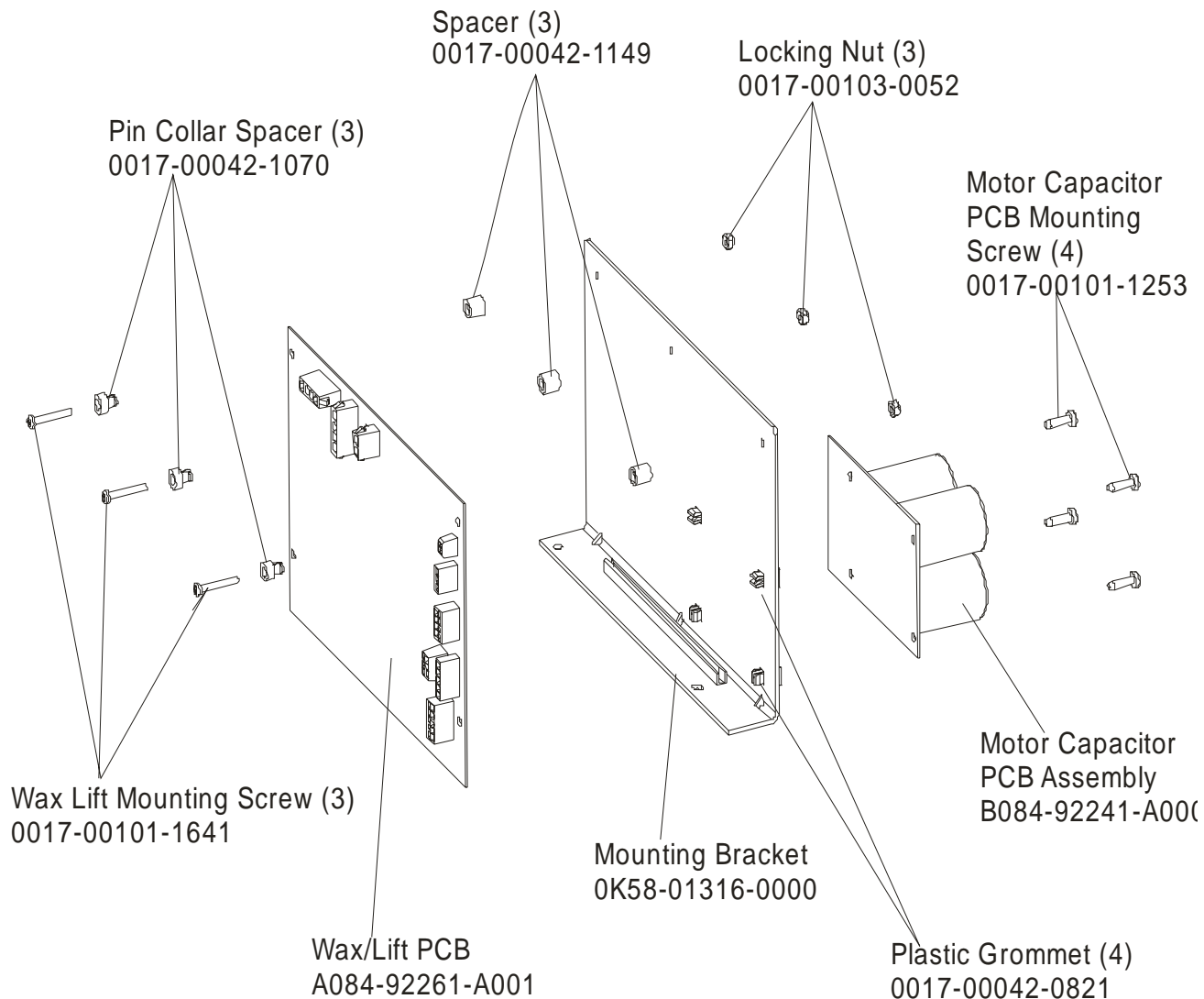
**93T-XXXX-07**  
**S/N TSB100000 and up**

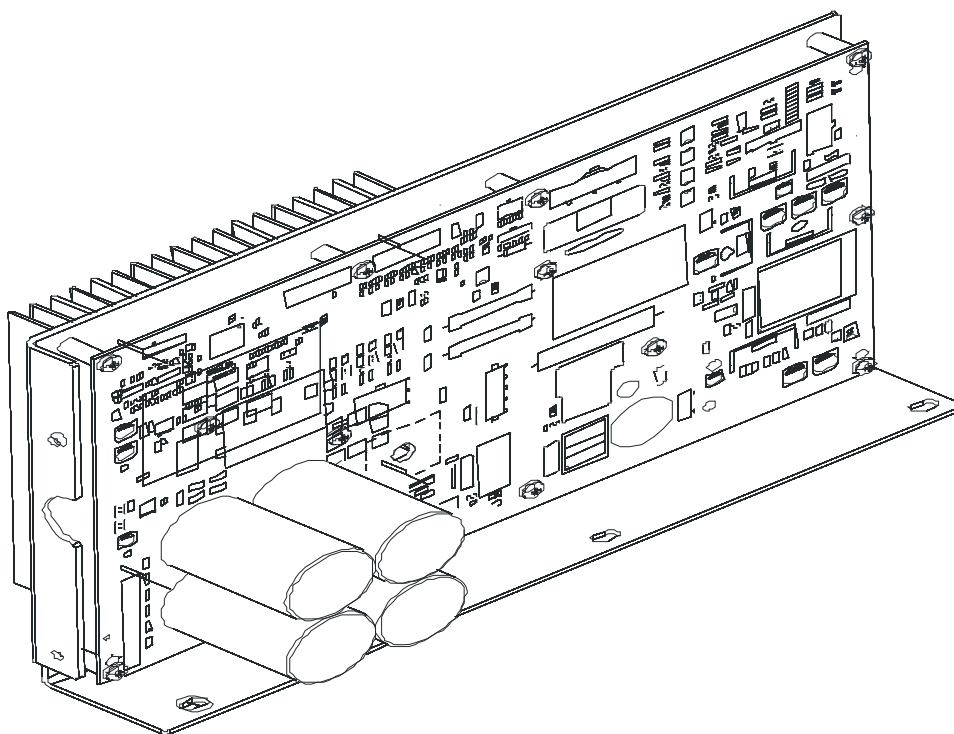


\*used on the dual cable drive motor only

Description	Part Nos.	
	S/N TSB100000–TSB101105	S/N TSB101106 and up
Drive Motor Assembly	AK58-00171-0001 (dual cable)	AK58-00171-0002 (tapered shaft)
Cast Iron Flywheel	OK58-01092-0002	OK58-01092-0004
Flywheel Setscrews/Bolt	0017-00101-0975 (uses setscrews)	0017-00101-1885 (uses bolt)
Flywheel Assembly	AK58-00090-0002	n/a

Ref: technical bulletin TR07060101N





Voltage	Part No.	Description
100-120	GK58-00002-0118	KIT: SERV; MFG; DSP CONTROLLER 100-120; LED
200-240	GK58-00002-0120	KIT: SERV; MFG; DSP CONTROLLER 200-240; LED

**ARCTIC SILVER 93T****93T-XXXX-07****Line-Cords & Line-Cord Options****S/N TSB100000 and up**

<b>MODEL #</b>	<b>MODEL DESCRIPTION</b>	<b>STANDARD LINE-CORDS</b>
95TWEZ-0100-02	95TWEZ ENG/ENG 120/60 DOM	0017-00003-0974 LINE-CORD: R/A; 96"; W/RECP S/C-C
95TWEZ-0300-02	95TWEZ FRN/MET 120/60 DOM	
95TWEZ-0400-02	95TWEZ SPN/MET 120/60 DOM	
95TWEZ-0800-02	95TWEZ POR/MET 120/60 DOM	
95TWEZ-0103-02	95TWEZ ENG+MET 220/60 DOM	0017-00003-0781 LINE-CORD: R/A; 220V; USA D
95TWEZ-0105-02	95TWEZ ENG+MET 100/50 DOM	
95TWEZ-0106-02	95TWEZ ENG+MET 200/50 DOM	
95TWEZ-0705-02	95TWEZ JAP/MET 100/50 DOM	
95TWEZ-0706-02	95TWEZ JAP/MET 200/50 DOM	
95TWEZ-0101-02	95TWEZ ENG+MET 230/50 CON	0017-00003-0696 LINE-CORD: R/A; CEE7; 103" 10A 250V D
95TWEZ-0201-02	95TWEZ GER/MET 230/50 CON	
95TWEZ-0301-02	95TWEZ FRN/MET 230/50 CON	
95TWEZ-0401-02	95TWEZ SPN/MET 230/50 CON	
95TWEZ-0501-02	95TWEZ ITL/MET 230/50 CON	
95TWEZ-0601-02	95TWEZ DUT/MET 230/50 CON	
95TWEZ-0801-02	95TWEZ POR/MET 230/50 CON	
95TWEZ-1601-02	95TWEZ ENG/TUR 230/50 CON	0017-00003-0890 LINE-CORD: U.K; R/A
95TWEZ-0102-02	95TWEZ ENG+MET 240/50 UK	
95TWEZ-0109-02	95TWEZ ENG+MET 230/50 UK	0017-00003-0996 LINE-CORD: IEC; AUSTRALIAN; 230/50 C
95TWEZ-0104-02	95TWEZ ENG+MET 240V+ AUS	

<b>OPTIONAL LINE-CORDS</b>		
0017-00003-0947	LINE-CORD: 120V; 20A;	12'
0017-00003-0915	LINE-CORD: R/A 120V	8'
0017-00003-0980	LINE-CORD: R/A; NEMA 5-20 144"	12'
0017-00003-0981	LINE-CORD: R/A; W/PLUG 220/60	7.5'
0017-00003-0948	LINE-CORD: 220V; 15A;	12'

**ARCTIC SILVER 93T**

Cables for Units Between 0100 - 0104

**93T-XXXX-07****S/N TSB100000 and up**

PART NUMBER	PART DESCRIPTION	93T-XXXX-07				
		0100 120/60 DOM	0101 230/50 CON	0102 240/50 UK	0103 220/60 DOM	0104 240V+ CON
0017-00003-0626	CIRCUIT-BREAKER: 2A S/C#18-D		X	X	X	X
0017-00003-0898	FILTER: LINE; 10-AMP 4-SHT C		X	X		
0017-00003-0950	CIRCUIT-BREAKER: 4A S/C#18-D					
0017-00003-1015	FILTER: LINE; 20A 3-SHTS C	X			X	X
AK32-00020-0002	CBL-ASSY: COAX; 120" S/C-B	X	X	X	X	X
AK32-00078-0001	CBL-ASSY: PWR EXT; 120" S/C-C	X	X	X	X	X
AK58-00027-0000	CBL-ASSY: ZERO-SWITCH C	X	X	X	X	X
AK58-00030-0000	CBL-ASSY: EXT FRAME TAG MEM. C	X				
AK58-00031-0000	CBL-ASSY: SIDE-CONSOLE C					
AK58-00032-0000	CBL-ASSY: USER SENSE PROX. C	X	X	X	X	X
AK58-00034-0001	CBL-ASSY: CONSOLE; PWR; UPR C	X	X	X	X	X
AK58-00035-0001	CBL-ASSY: MTR-CNTR INTERFACE C	X				
AK58-00036-0000	CBL-ASSY: EMERGENCY-STOP C	X	X	X	X	X
AK58-00041-0001	CBL-ASSY: H/R SENSORS C	X	X	X	X	X
AK58-00043-0000	CBL-ASSY: SPEED-PICKUP EXTEN C	X				
AK58-00081-0000	CBL-ASSY: JUMPER; BLK; 4" B	X	X	X	X	X
AK58-00082-0000	CBL-ASSY: JUMPER; WHT; 6" B	X	X	X	X	X
AK58-00083-0000	CBL-ASSY: JUMPER; GR/YL; 5" B	X	X	X	X	X
AK58-00210-0000	XFRMR-BRKT ASSY: MFG. C		X	X	X	X
AK58-00222-0000	CBL-ASSY: POWER; 120V C	X				
AK58-00224-0001	CBL-ASSY: MOV; FILTER C	X	X	X	X	X
AK58-00237-0000	CBL-ASSY: POLAR/E-STOP C	X	X	X	X	X
AK58-00263-0000	CBL-ASSY: HI-POT JUMPER B	X	X	X	X	X
AK58-00520-0000	CBL-ASSY: POWER; 100-200V C	X				
AK58-00522-0000	CBL-ASSY: JUMPER; POWER; LED-CONS B		X	X	X	X
AK58-00524-0000	CBL-ASSY: THERMAL ADAPTER B		X	X	X	X
AK58-00596-0001	CBL-ASSY: POWER; 230-240V; LED; S/C-C		X	X	X	X

**ARCTIC SILVER 93T**

Cables for Units Between 0105 - 0300

**93T-XXXX-07****S/N TSB100000 and up**

PART NUMBER	PART DESCRIPTION	93T-XXXX-07				
		0105 100/50 DOM	0106 200/50 DOM	0109 230/50 CON	0201 230/50 CON	0300 120/60 DOM
0017-00003-0626	CIRCUIT-BREAKER: 2A S/C#18-D		X	X	X	
0017-00003-0898	FILTER: LINE; 10-AMP 4-SHT C		X	X		
0017-00003-0950	CIRCUIT-BREAKER: 4A S/C#18-D	X				
0017-00003-1015	FILTER: LINE; 20A 3-SHTS C	X	X			X
AK32-00020-0002	CBL-ASSY: COAX; 120" S/C-B	X	X	X	X	X
AK32-00078-0001	CBL-ASSY: PWR EXT; 120" S/C-C	X	X	X	X	X
AK58-00027-0000	CBL-ASSY: ZERO-SWITCH C	X	X	X	X	X
AK58-00030-0000	CBL-ASSY: EXT FRAME TAG MEM. C					
AK58-00031-0000	CBL-ASSY: SIDE-CONSOLE C					
AK58-00032-0000	CBL-ASSY: USER SENSE PROX. C	X	X	X	X	X
AK58-00034-0001	CBL-ASSY: CONSOLE; PWR; UPR C	X	X	X	X	X
AK58-00035-0001	CBL-ASSY: MTR-CNTR INTERFACE C					
AK58-00036-0000	CBL-ASSY: EMERGENCY-STOP C	X	X	X	X	X
AK58-00041-0001	CBL-ASSY: H/R SENSORS C	X	X	X	X	X
AK58-00043-0000	CBL-ASSY: SPEED-PICKUP EXTEN C					
AK58-00081-0000	CBL-ASSY: JUMPER; BLK; 4" B	X	X	X	X	X
AK58-00082-0000	CBL-ASSY: JUMPER; WHT; 6" B	X	X	X	X	X
AK58-00083-0000	CBL-ASSY: JUMPER; GR/YL; 5" B	X	X	X	X	X
AK58-00210-0000	XFRMR-BRKT ASSY: MFG. C		X	X	X	
AK58-00222-0000	CBL-ASSY: POWER; 120V C					
AK58-00224-0001	CBL-ASSY: MOV; FILTER C	X	X	X	X	X
AK58-00237-0000	CBL-ASSY: POLAR/E-STOP C	X	X	X	X	X
AK58-00263-0000	CBL-ASSY: HI-POT JUMPER B	X	X	X	X	X
AK58-00520-0000	CBL-ASSY: POWER; 100-200V C	X				X
AK58-00522-0000	CBL-ASSY: JUMPER; POWER; LED-CONS B	X	X	X	X	X
AK58-00524-0000	CBL-ASSY: THERMAL ADAPTER B	X	X	X	X	X
AK58-00596-0001	CBL-ASSY: POWER; 230-240V; LED; S/C-C		X	X	X	

**ARCTIC SILVER 93T**

Cables for Units Between 0301 - 0601

**93T-XXXX-07****S/N TSB100000 and up**

PART NUMBER	PART DESCRIPTION	93T-XXXX-07				
		0301 230/50 CON	0400 120/60 DOM	0401 230/50 CON	0501 230/50 CON	0601 230/50 CON
0017-00003-0626	CIRCUIT-BREAKER: 2A S/C#18-D	X		X	X	X
0017-00003-0898	FILTER: LINE; 10-AMP 4-SHT C	X		X	X	X
0017-00003-0950	CIRCUIT-BREAKER: 4A S/C#18-D					
0017-00003-1015	FILTER: LINE; 20A 3-SHTS C		X			
AK32-00020-0002	CBL-ASSY: COAX; 120" S/C-B	X	X	X	X	X
AK32-00078-0001	CBL-ASSY: PWR EXT; 120" S/C-C	X	X	X	X	X
AK58-00027-0000	CBL-ASSY: ZERO-SWITCH C	X	X	X	X	X
AK58-00030-0000	CBL-ASSY: EXT FRAME TAG MEM. C					
AK58-00031-0000	CBL-ASSY: SIDE-CONSOLE C					
AK58-00032-0000	CBL-ASSY: USER SENSE PROX. C	X	X	X	X	X
AK58-00034-0001	CBL-ASSY: CONSOLE; PWR; UPR C	X	X	X	X	X
AK58-00035-0001	CBL-ASSY: MTR-CNTR INTERFACE C					
AK58-00036-0000	CBL-ASSY: EMERGENCY-STOP C	X	X	X	X	X
AK58-00041-0001	CBL-ASSY: H/R SENSORS C	X	X	X	X	X
AK58-00043-0000	CBL-ASSY: SPEED-PICKUP EXTEN C					
AK58-00081-0000	CBL-ASSY: JUMPER; BLK; 4" B	X	X	X	X	X
AK58-00082-0000	CBL-ASSY: JUMPER; WHT; 6" B	X	X	X	X	X
AK58-00083-0000	CBL-ASSY: JUMPER; GR/YL; 5" B	X	X	X	X	X
AK58-00210-0000	XFRMR-BRKT ASSY: MFG. C	X		X	X	X
AK58-00222-0000	CBL-ASSY: POWER; 120V C					
AK58-00224-0001	CBL-ASSY: MOV; FILTER C	X	X	X	X	X
AK58-00237-0000	CBL-ASSY: POLAR/E-STOP C	X	X	X	X	X
AK58-00263-0000	CBL-ASSY: HI-POT JUMPER B	X	X	X	X	X
AK58-00520-0000	CBL-ASSY: POWER; 100-200V C		X			
AK58-00522-0000	CBL-ASSY: JUMPER; POWER; LED-CONS B	X	X	X	X	X
AK58-00524-0000	CBL-ASSY: THERMAL ADAPTER B	X	X	X	X	X
AK58-00596-0001	CBL-ASSY: POWER; 230-240V; LED; S/C-C	X		X	X	X



**ARCTIC SILVER 93T**

Cables for Units Between 0705 - 1601

**93T-XXXX-07**

S/N TSB100000 and up

PART NUMBER	PART DESCRIPTION	93T-XXXX-07				
		0705 100/50 DOM	0706 200/50 DOM	0800 120/50 DOM	0801 230/50 CON	1601 230/50 CON
0017-00003-0626	CIRCUIT-BREAKER: 2A S/C#18-D		X		X	X
0017-00003-0898	FILTER: LINE; 10-AMP 4-SHT C				X	X
0017-00003-0950	CIRCUIT-BREAKER: 4A S/C#18-D					
0017-00003-1015	FILTER: LINE; 20A 3-SHTS C	X	X	X		
AK32-00020-0002	CBL-ASSY: COAX; 120" S/C-B	X	X	X	X	X
AK32-00078-0001	CBL-ASSY: PWR EXT; 120" S/C-C	X	X	X	X	X
AK58-00027-0000	CBL-ASSY: ZERO-SWITCH C	X	X	X	X	X
AK58-00030-0000	CBL-ASSY: EXT FRAME TAG MEM. C					
AK58-00031-0000	CBL-ASSY: SIDE-CONSOLE C	X	X			
AK58-00032-0000	CBL-ASSY: USER SENSE PROX. C	X	X	X	X	X
AK58-00034-0001	CBL-ASSY: CONSOLE; PWR; UPR C	X	X	X	X	X
AK58-00035-0001	CBL-ASSY: MTR-CNTR INTERFACE C					
AK58-00036-0000	CBL-ASSY: EMERGENCY-STOP C	X	X	X	X	X
AK58-00041-0001	CBL-ASSY: H/R SENSORS C	X	X	X	X	X
AK58-00043-0000	CBL-ASSY: SPEED-PICKUP EXTEN C					
AK58-00081-0000	CBL-ASSY: JUMPER; BLK; 4" B	X	X	X	X	X
AK58-00082-0000	CBL-ASSY: JUMPER; WHT; 6" B	X	X	X	X	X
AK58-00083-0000	CBL-ASSY: JUMPER; GR/YL; 5" B	X	X	X	X	X
AK58-00210-0000	XFRMR-BRKT ASSY: MFG. C		X		X	X
AK58-00222-0000	CBL-ASSY: POWER; 120V C	X				
AK58-00224-0001	CBL-ASSY: MOV; FILTER C	X	X	X	X	X
AK58-00237-0000	CBL-ASSY: POLAR/E-STOP C	X	X	X	X	X
AK58-00263-0000	CBL-ASSY: HI-POT JUMPER B	X	X	X	X	X
AK58-00520-0000	CBL-ASSY: POWER; 100-200V C	X		X		
AK58-00522-0000	CBL-ASSY: JUMPER; POWER; LED-CONS B	X	X	X	X	X
AK58-00524-0000	CBL-ASSY: THERMAL ADAPTER B	X	X	X	X	X
AK58-00596-0001	CBL-ASSY: POWER; 230-240V; LED; S/C-C		X		X	X

## Free Manuals Download Website

<http://myh66.com>

<http://usermanuals.us>

<http://www.somanuals.com>

<http://www.4manuals.cc>

<http://www.manual-lib.com>

<http://www.404manual.com>

<http://www.luxmanual.com>

<http://aubethermostatmanual.com>

Golf course search by state

<http://golfingnear.com>

Email search by domain

<http://emailbydomain.com>

Auto manuals search

<http://auto.somanuals.com>

TV manuals search

<http://tv.somanuals.com>