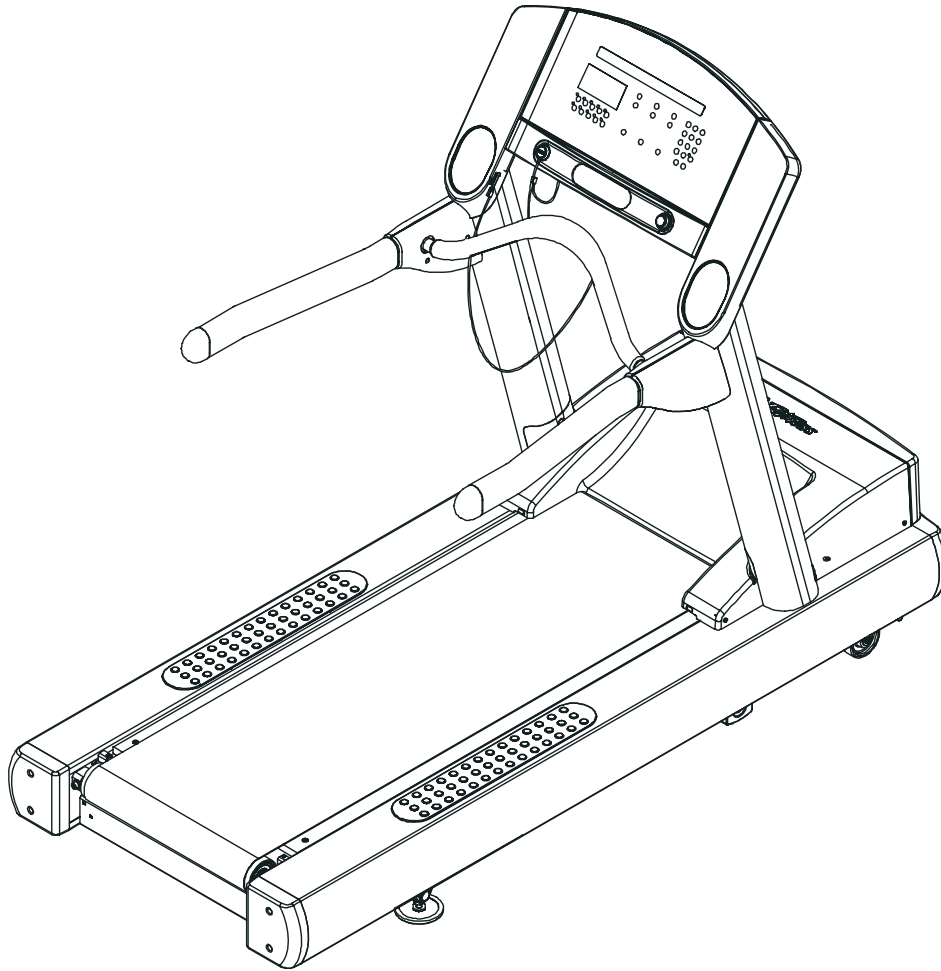


LifeFitness

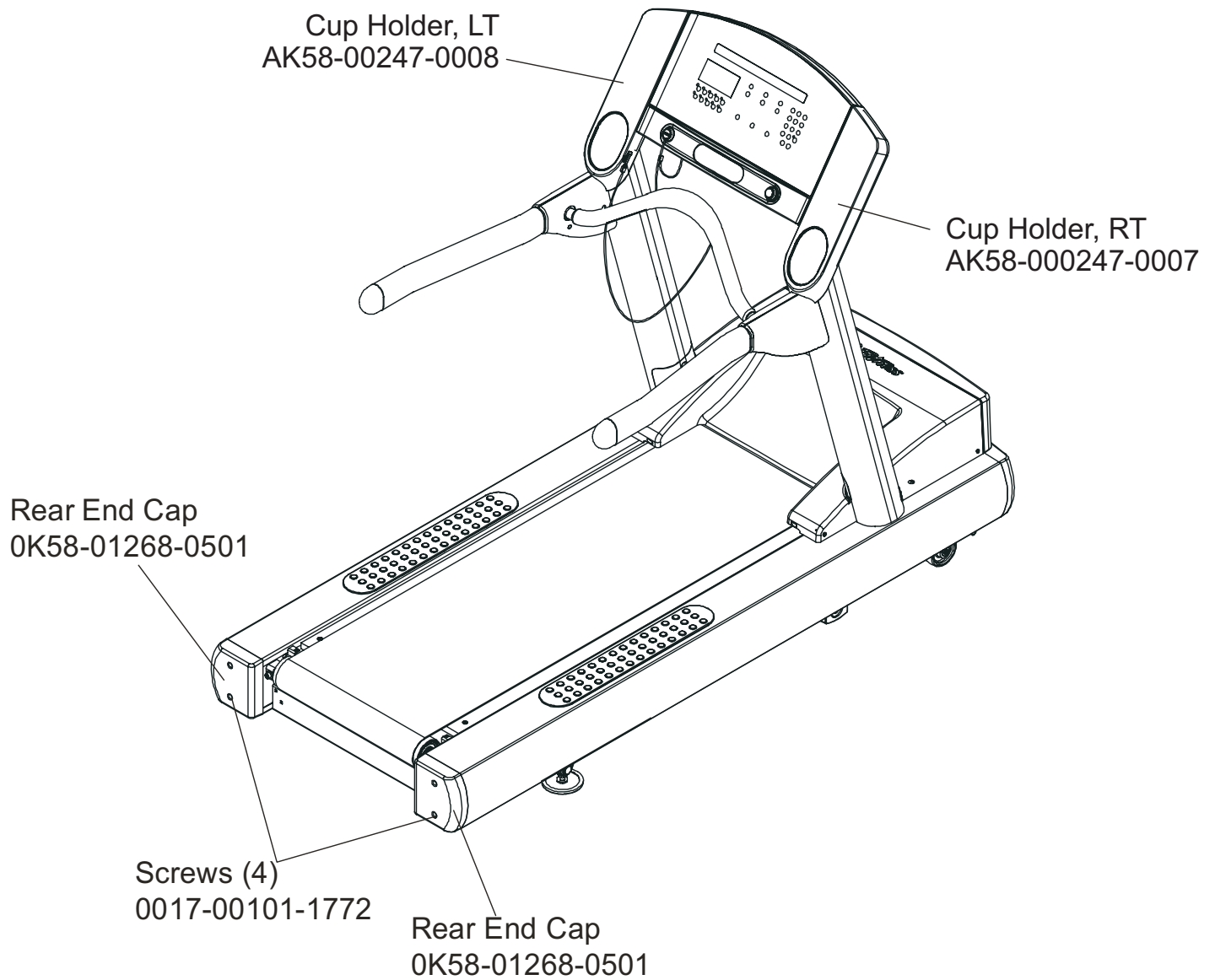
Retro Fitness Treadmill CLST-0100-01RF



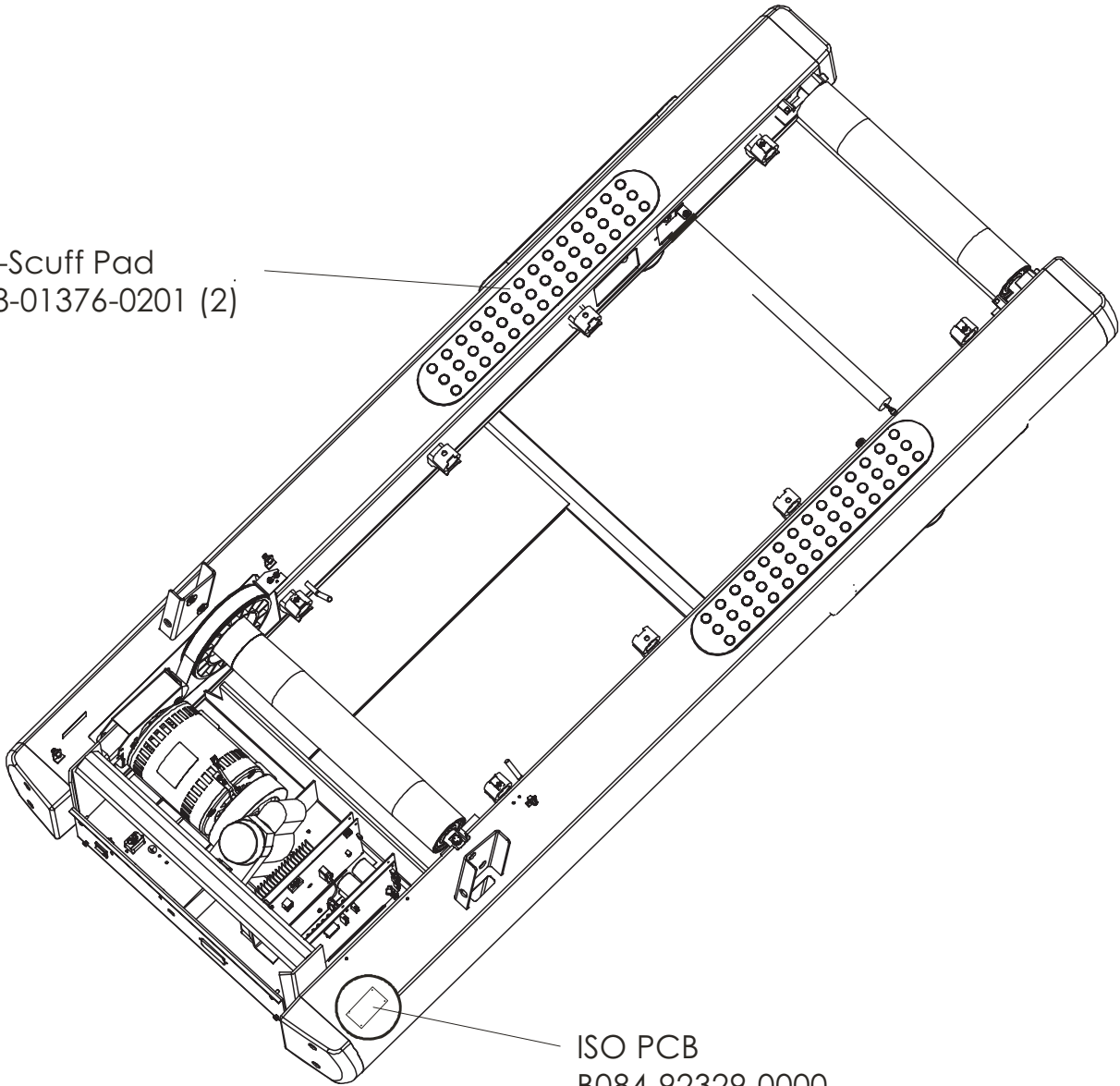
Customer Support Services
PARTS MANUAL rev 03 Mar 2011

Miscellaneous	3
Rear End Caps and Cup Holders.....	4
Scuff Pad and Frame Tag Board	5
Console and Related Components	6
Uprights, Handrails, and Ergo Bar	7
Ergo Bar with Heart Rate Assembly	8
Motor Cover, Front Cover, and End Caps.....	9
Belt, Deck, and Rear Roller.....	10
Lift Frame, Lift Motor, and IEC Receptacle	11
DSP Controller Assembly	12
Drive Motor Assembly.....	13
Idler Arm Assembly and Static Brush.....	14
Leg Leveler Assembly.....	15
Front Roller Assembly	16
Line Cords and Line Cord Options	17
Block Diagrams	18

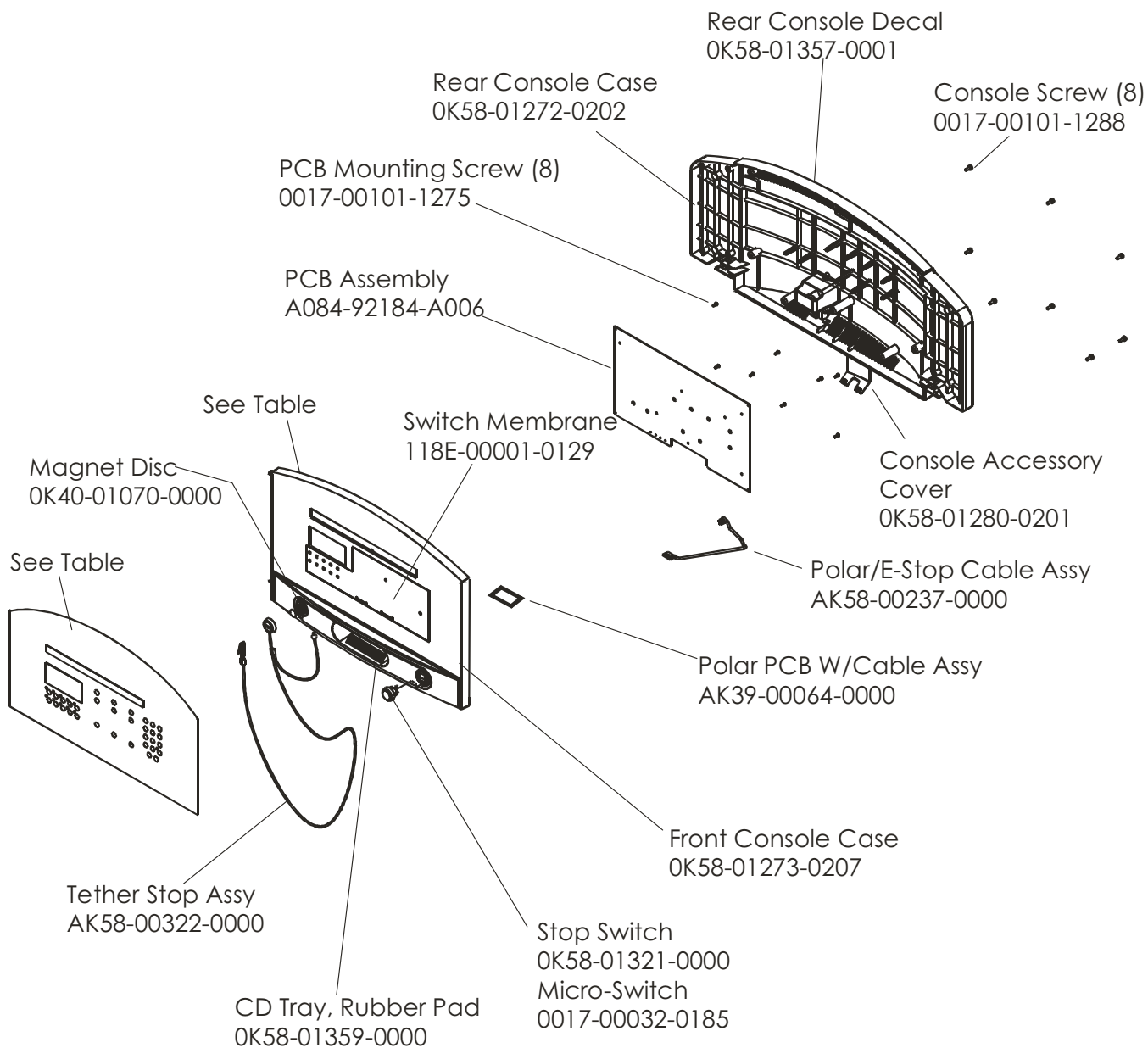
Description	Part No.
OPERATION MANUAL (CD)	AK58-00634-0000
SERVICE MANUAL	M051-00K58-A159
HARDWARE BAG	AK58-00226-0100
HEX YELLOW TOUCH UP PAINT: 12 OZ SPRAY CAN .6 OZ BOTTLE W/APPLICATOR	8809701 8809801
ACCESS PANEL ASSY CONSISTS OF: 1) 120" POWER EXT. CABLE 2) CONNECTOR MTG. PLATE 3) F-TYPE ADP CONNECTOR 4) F-TYPE PANEL CONNECTOR	AK58-00329-0000 AK32-00020-0002 0K58-01392-0000 0017-00021-2810 0017-00021-2846
INSTALLATION VIDEO	M051-00K58-A160



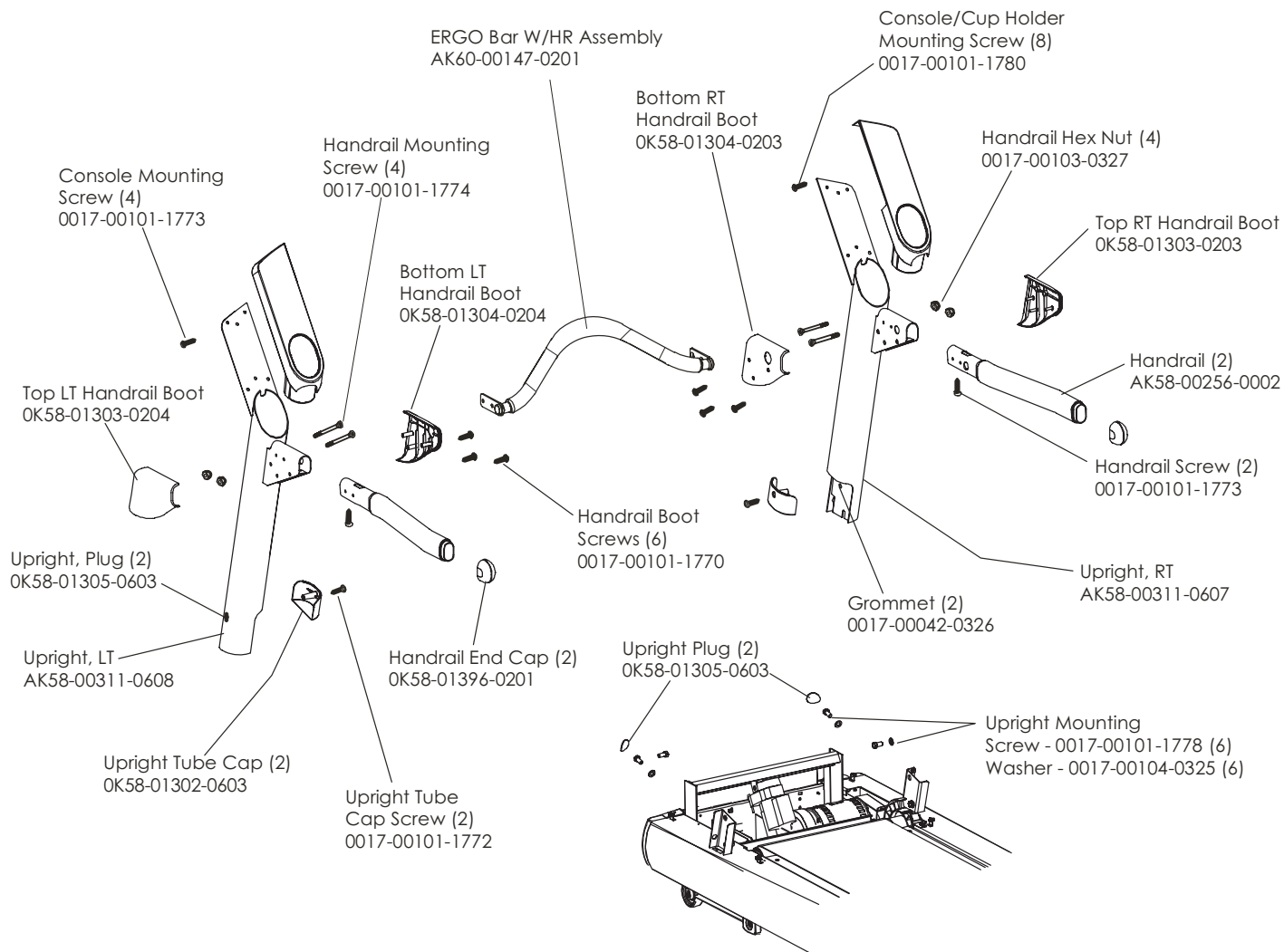
Anti-Scuff Pad
OK58-01376-0201 (2)

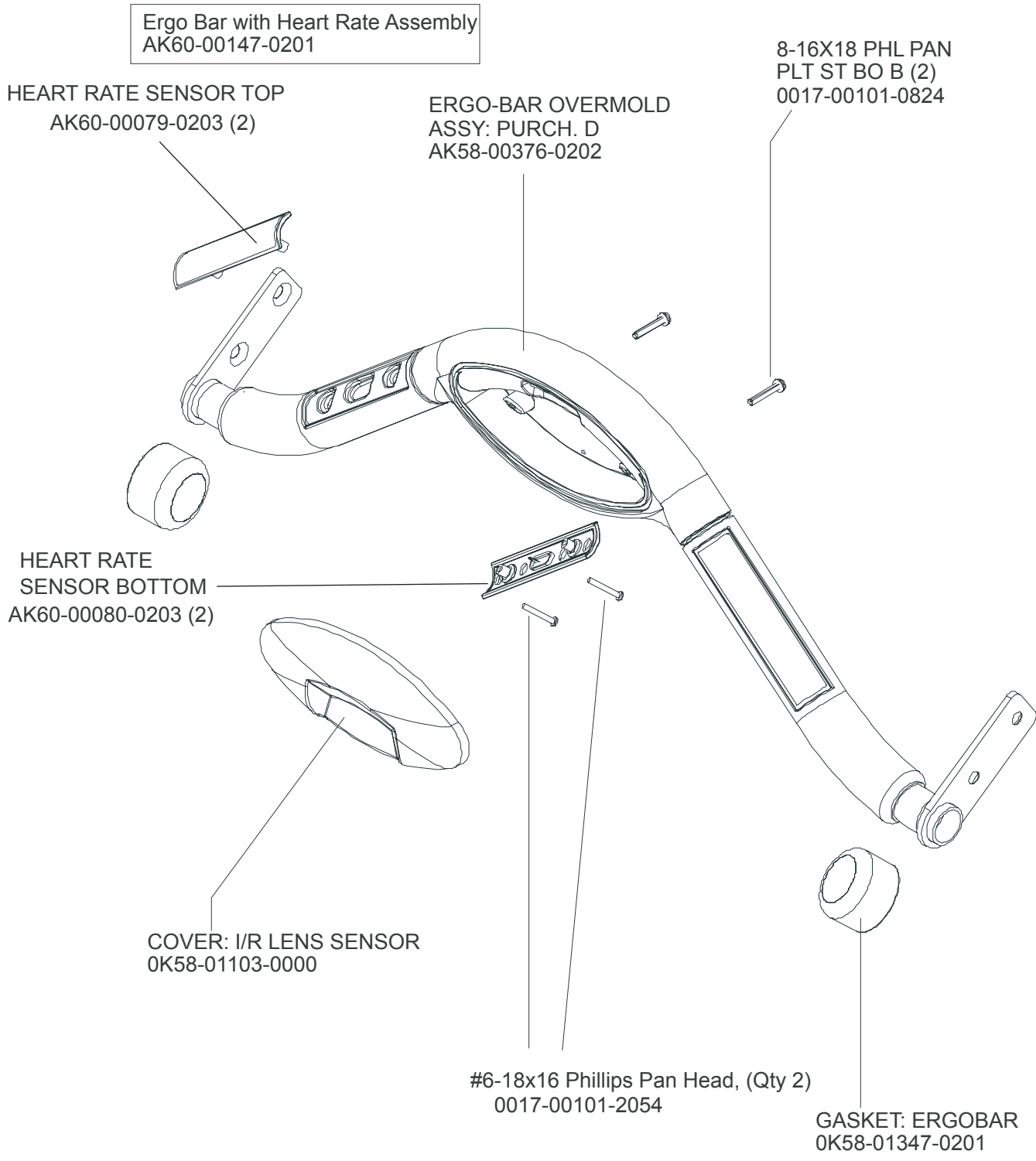


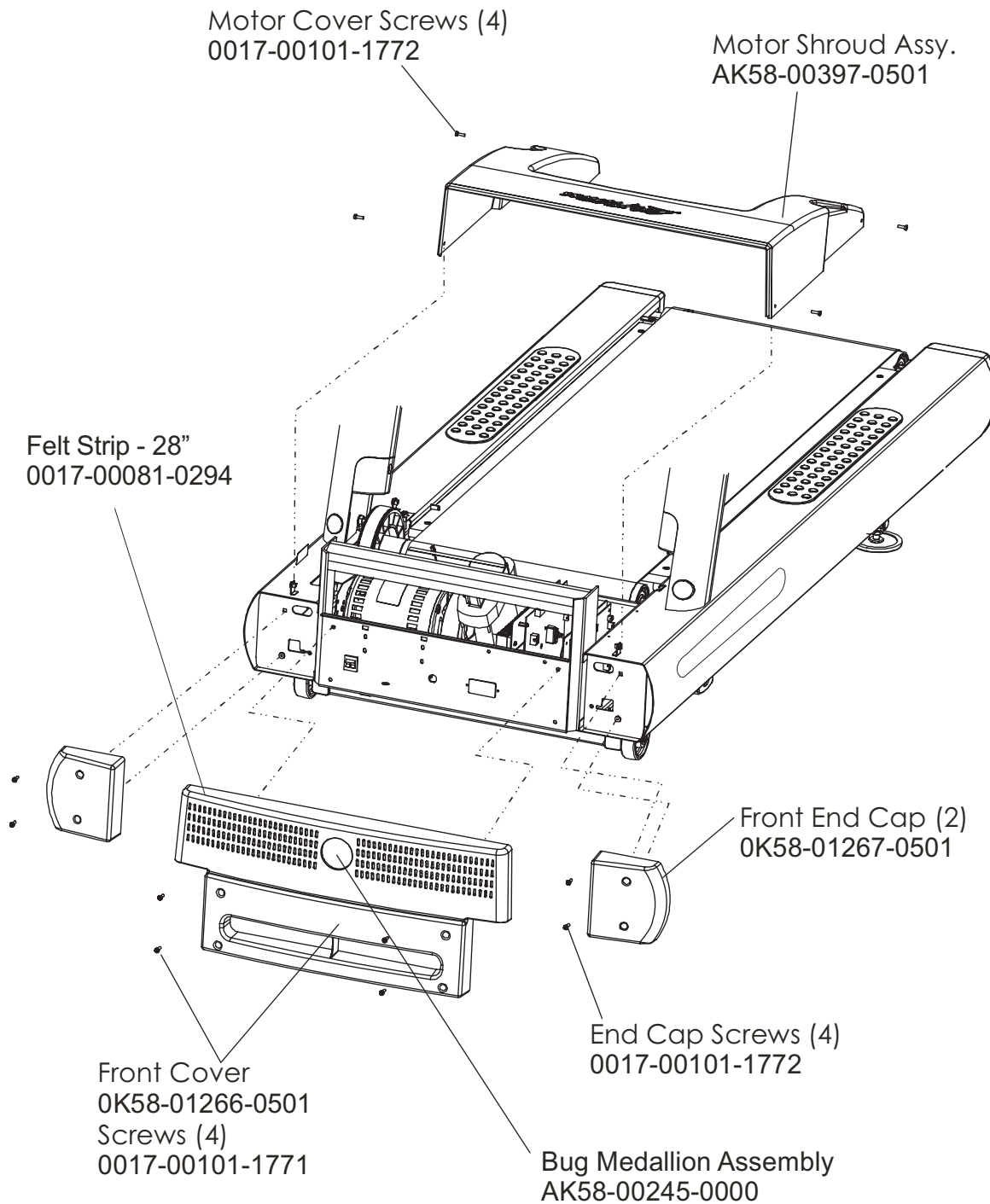
ISO PCB
B084-92329-0000

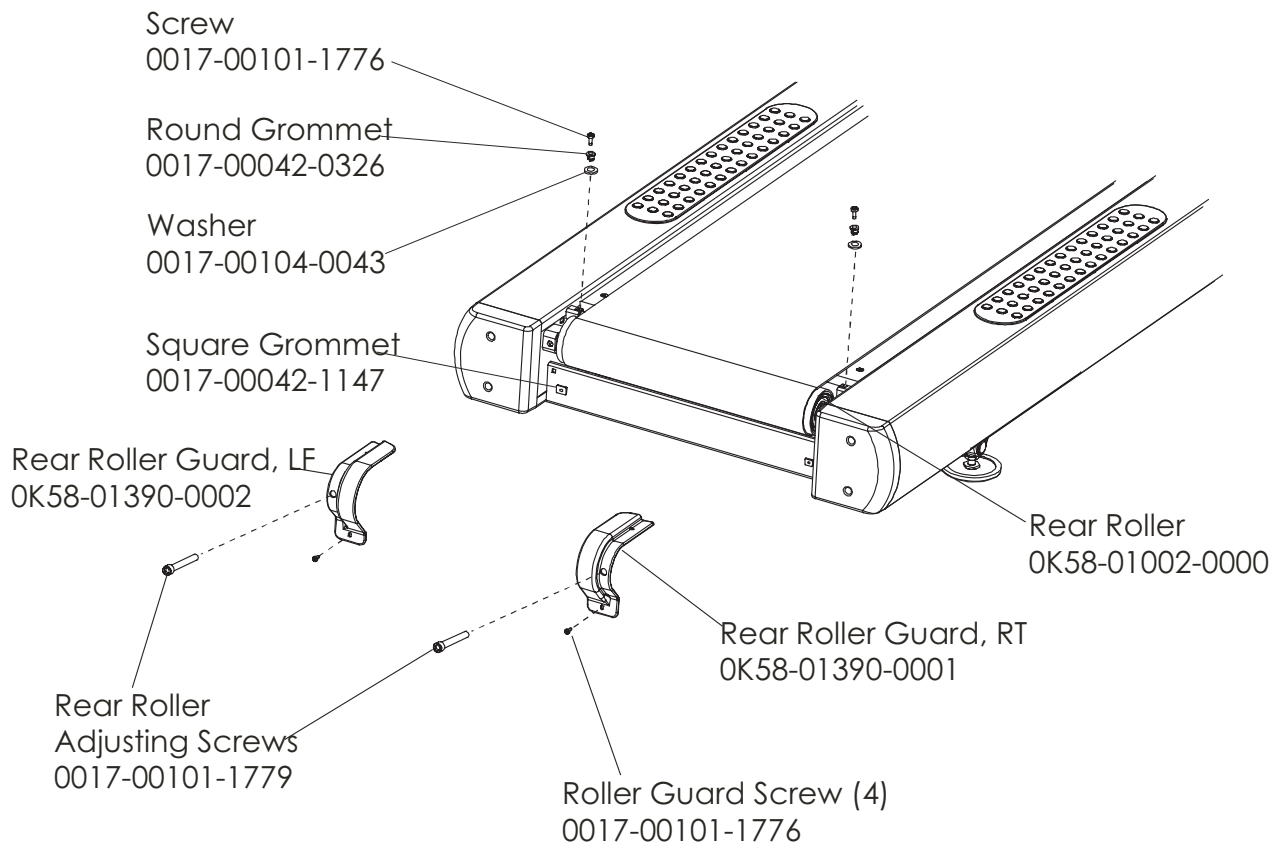
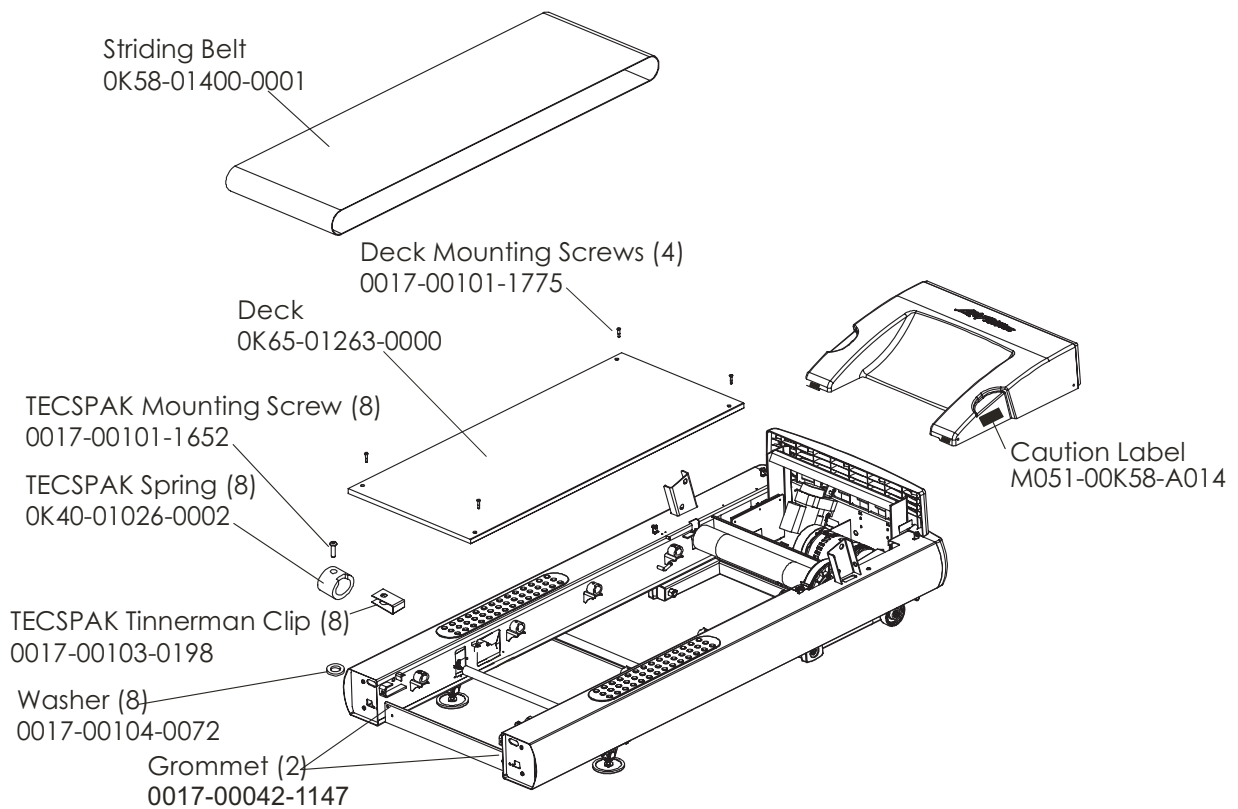


Language	Part Nos.	
	Console Assembly	Overlay
Eng/Met	AK58-00580-0101	0K58-01357-0001



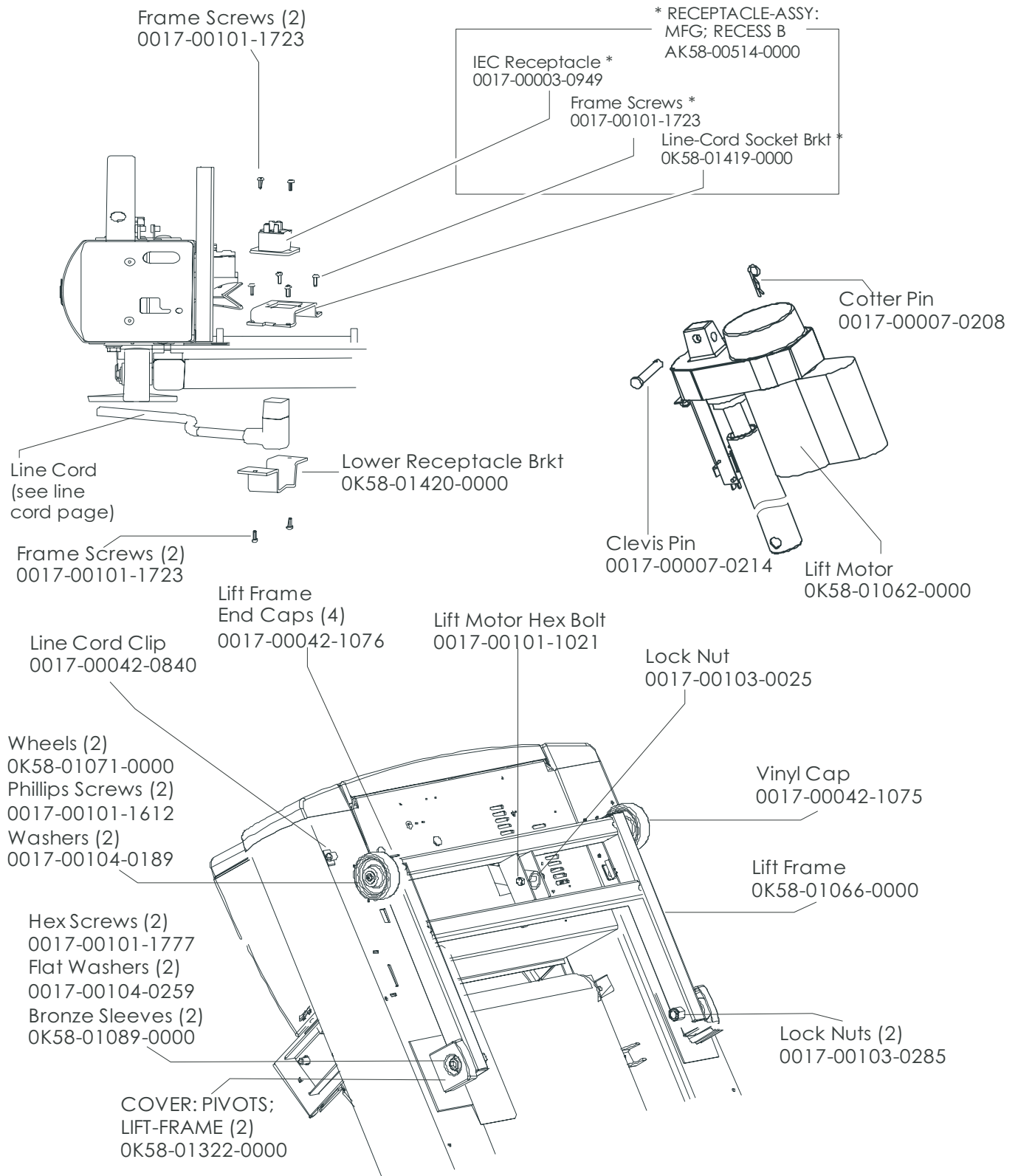




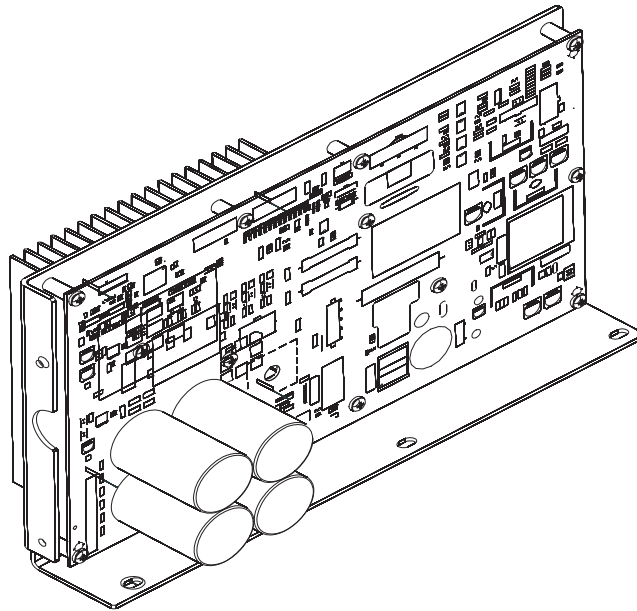


RETRO FITNESS TREADMILL
Lift Frame, Lift Motor and IEC Receptacle

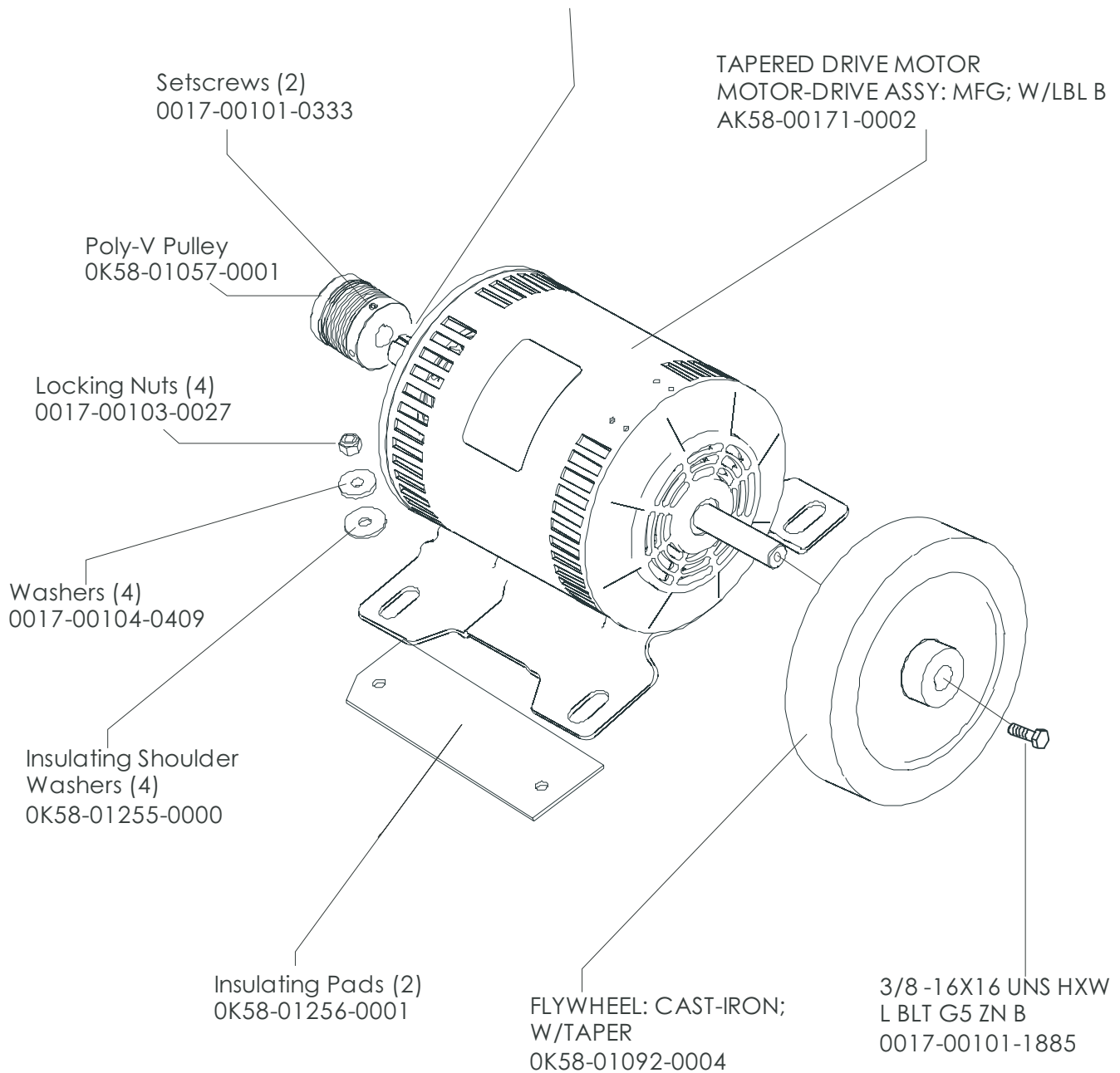
CLST-0100-01RF
S/N CLST320000 - 399999

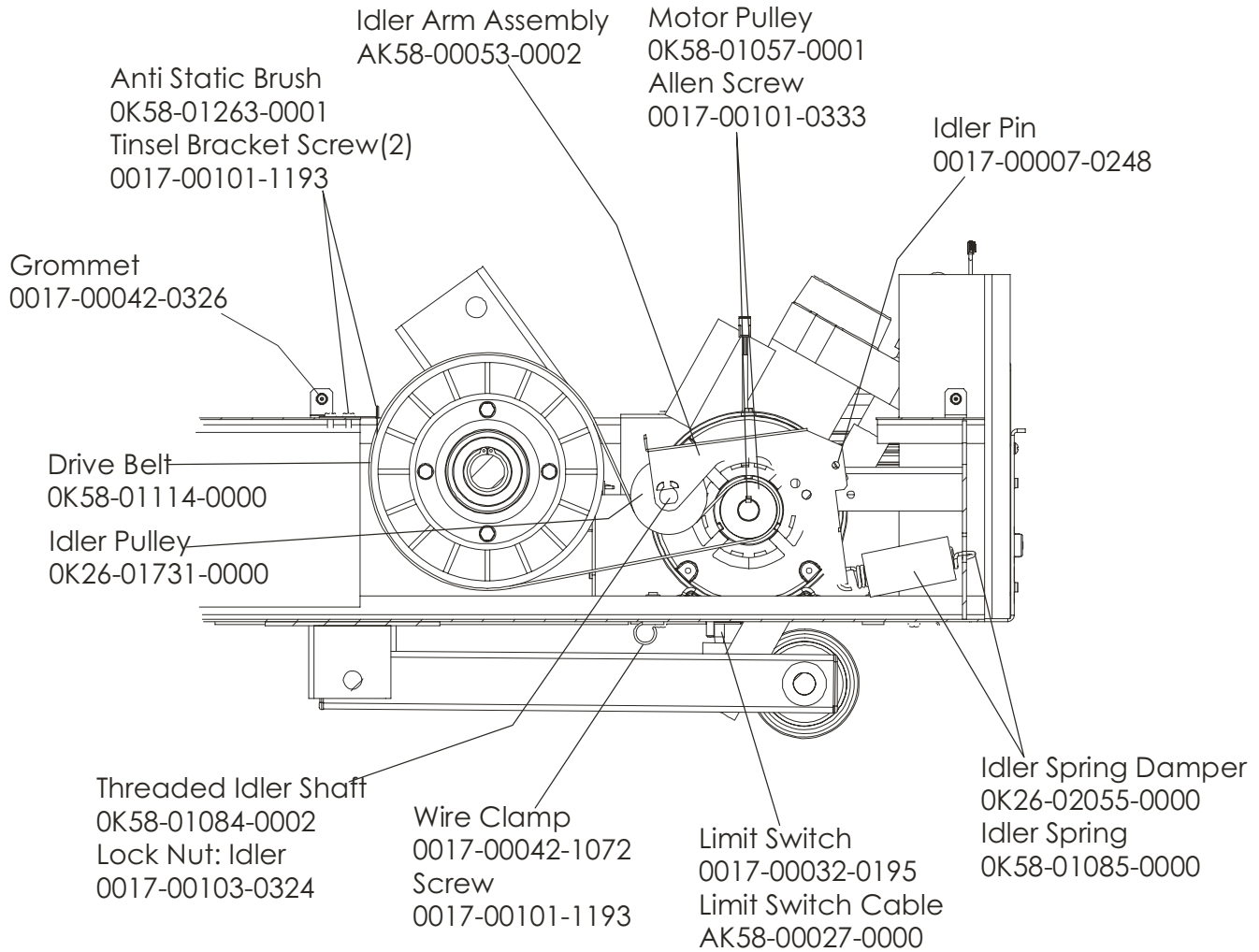


DSP w/Cables
100-120V
AK58-00547-0001
200-240V
AK58-00547-0003

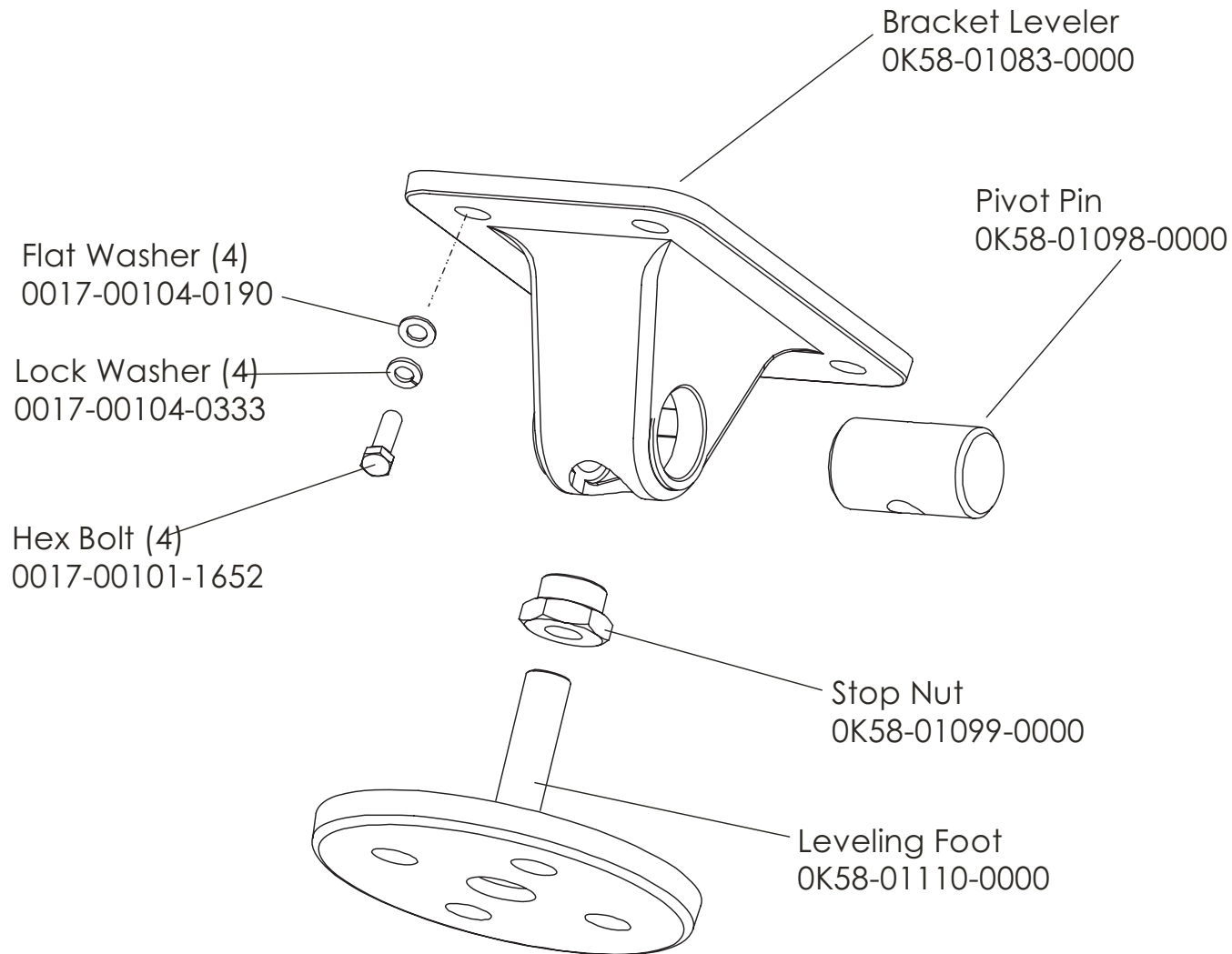


Note: key is part of the drive motor
only, not available separately.





Leveler Assembly
AK58-00370-0000



Front Roller Assembly
AK58-00066-0000

Mounting Bolt
0017-00101-0974

Flat Washer
0017-00104-0043

Polley V Pulley 8"
OK58-01105-0000

Lock Washer
0017-00104-0005

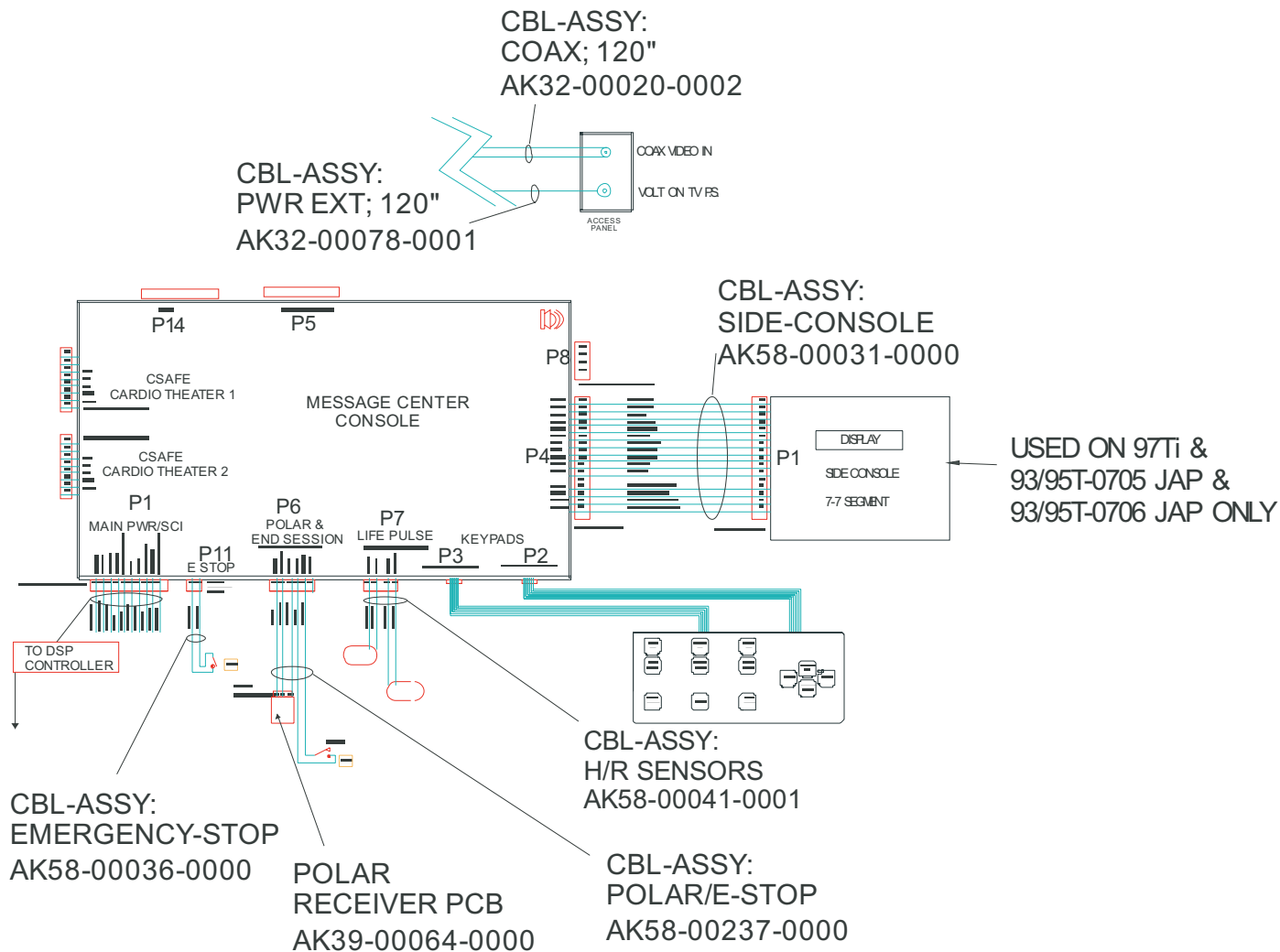
Hex Bolt
0017-00101-1632

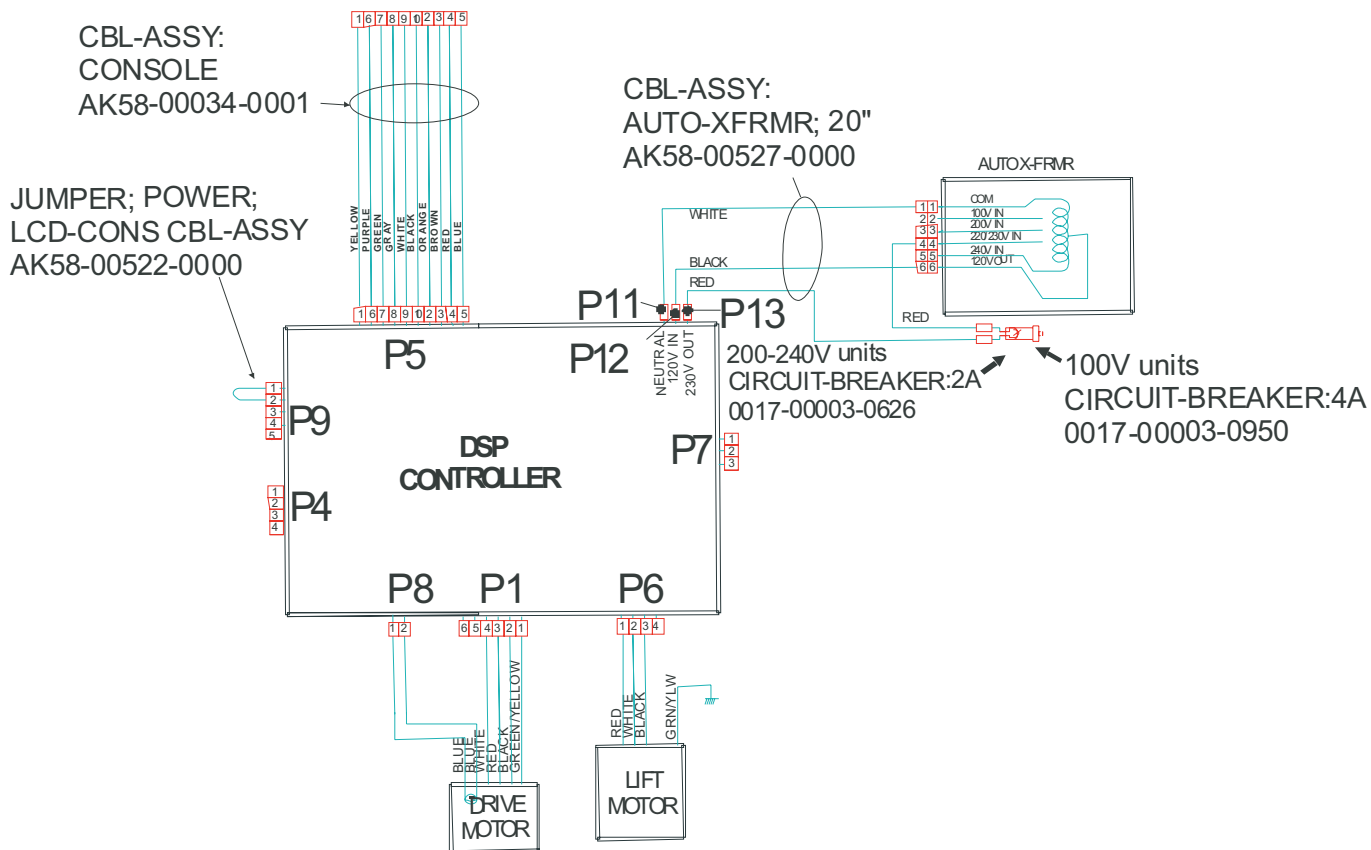
Flat Washer
0017-00104-0330

3.5" Front Roller
OK58-01001-0001

Standard Line Cords		
Model #	Model Description	Part No.
CLST-0100-01RF	CLST ENG/ENG 120/60 DOM LOW VOLTAGE	0017-00003-0974 LINE-CORD: R/A; 96"; W/RECP

Optional Line Cords		
Description	Length (feet)	Part No.
LINE-CORD: 120V; 20A;	12'	0017-00003-0947
LINE-CORD: R/A 120V	8'	0017-00003-0915
LINE-CORD: R/A; NEMA 5-20 144"	12'	0017-00003-0980
LINE-CORD: R/A; W/PLUG 220/60	7.5'	0017-00003-0981
LINE-CORD: 220V; 15A;	12'	0017-00003-0948





Free Manuals Download Website

<http://myh66.com>

<http://usermanuals.us>

<http://www.somanuals.com>

<http://www.4manuals.cc>

<http://www.manual-lib.com>

<http://www.404manual.com>

<http://www.luxmanual.com>

<http://aubethermostatmanual.com>

Golf course search by state

<http://golfingnear.com>

Email search by domain

<http://emailbydomain.com>

Auto manuals search

<http://auto.somanuals.com>

TV manuals search

<http://tv.somanuals.com>