

F3 Consumer Treadmill

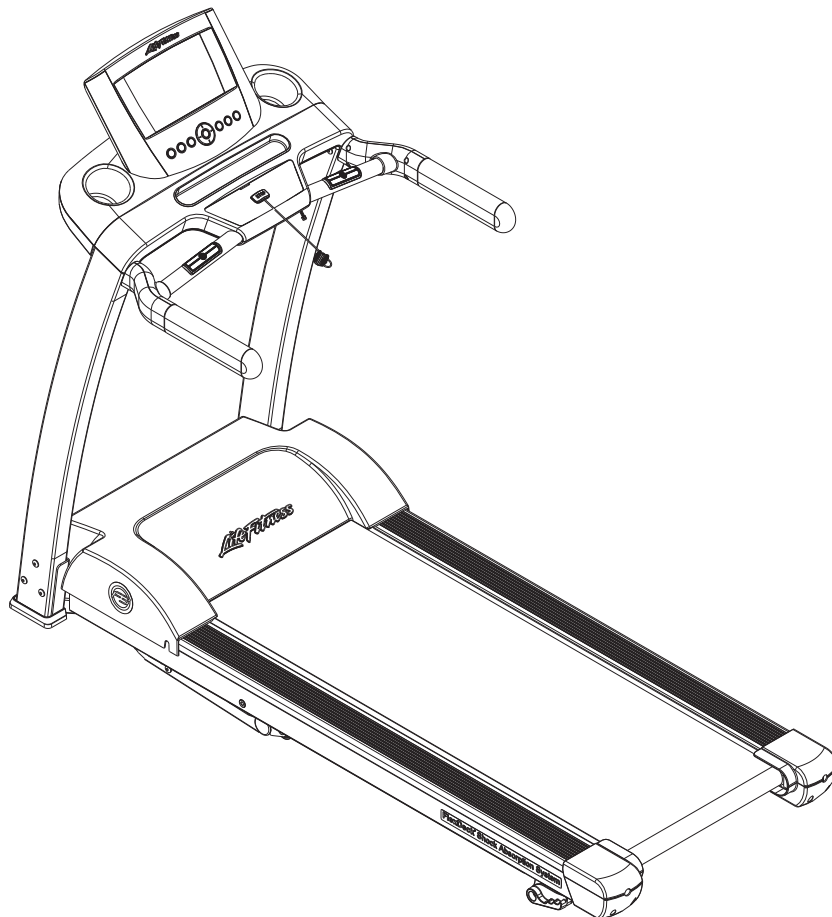
F3-XX00-0202

F3-XX0X-0202

January 17, 2012

CUSTOMER SUPPORT SERVICES

Parts List



Shown with Advanced Console

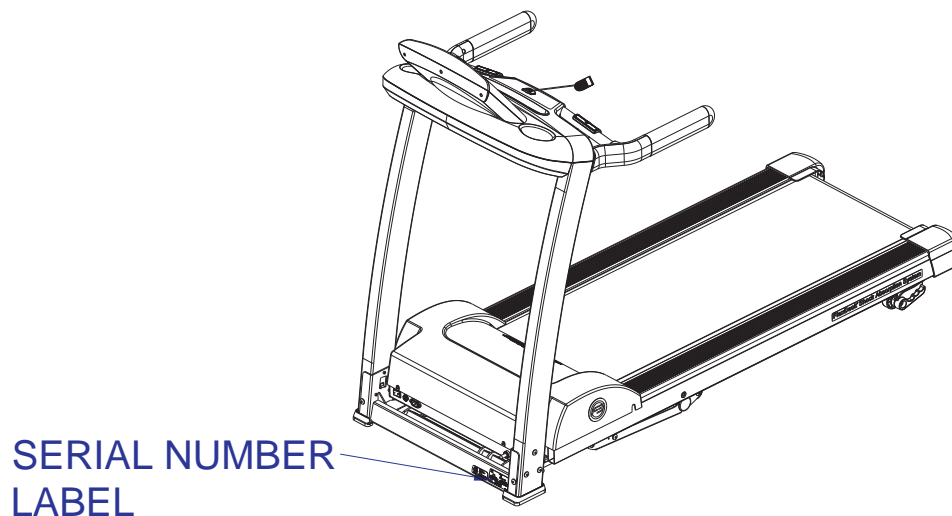
Life Fitness
WHAT WE LIVE FOR

CONSOLES.....	Page 3
CONSOLE BRACKET ASSY. & COVERS.....	Page 4
HANDLEBAR & HORIZONTAL BAR.....	Page 5
UPRIGHTS.....	Page 6
BELT, DECK & MOTOR COVER ASSY.	Page 7
DECK CUSHIONS, HALF RELEASE & REAR WHEELS..	Page 8
DRIVE/LIFT MOTOR & MOTOR CONTROLLER.....	Page 9
CHOKE & FILTER (230V MODELS).....	Page 10
LIFT FRAME ASSEMBLY.....	Page 11
LIFT FRAME ASSEMBLY CON'T.....	Page 12
MOVING WHEELS & FEET.....	Page 13
GAS SHOCKS & REAR SHROUD.....	Page 14
CABLES & LINE CORD.....	Page 15
WIRING DIAGRAM (120V).....	Page 16
WIRING DIAGRAM (230V).....	Page 17
IMAGE.....	Page 18

MISCELLANEOUS

- 8119901 - English Operation Manual
- 8186301 - Arctic Silver Touch-Up Paint
- 8168601 - Bottle, Service Silicone
- 8760501 - Kit, All Hardware Bags

SERIAL NUMBER LOCATION



SERIAL NUMBER
LABEL

Basic Console -



Part Number	Description	Language
BAST-000X-0102	NC BASIC TREAD CONSOLE, ENG/ENG+MET	English
BAST-020X-0102	NC BASIC TREAD CONSOLE, GER/MET	German
BAST-040X-0102	BASIC TREAD CONSOLE, SPN/MET	Spanish

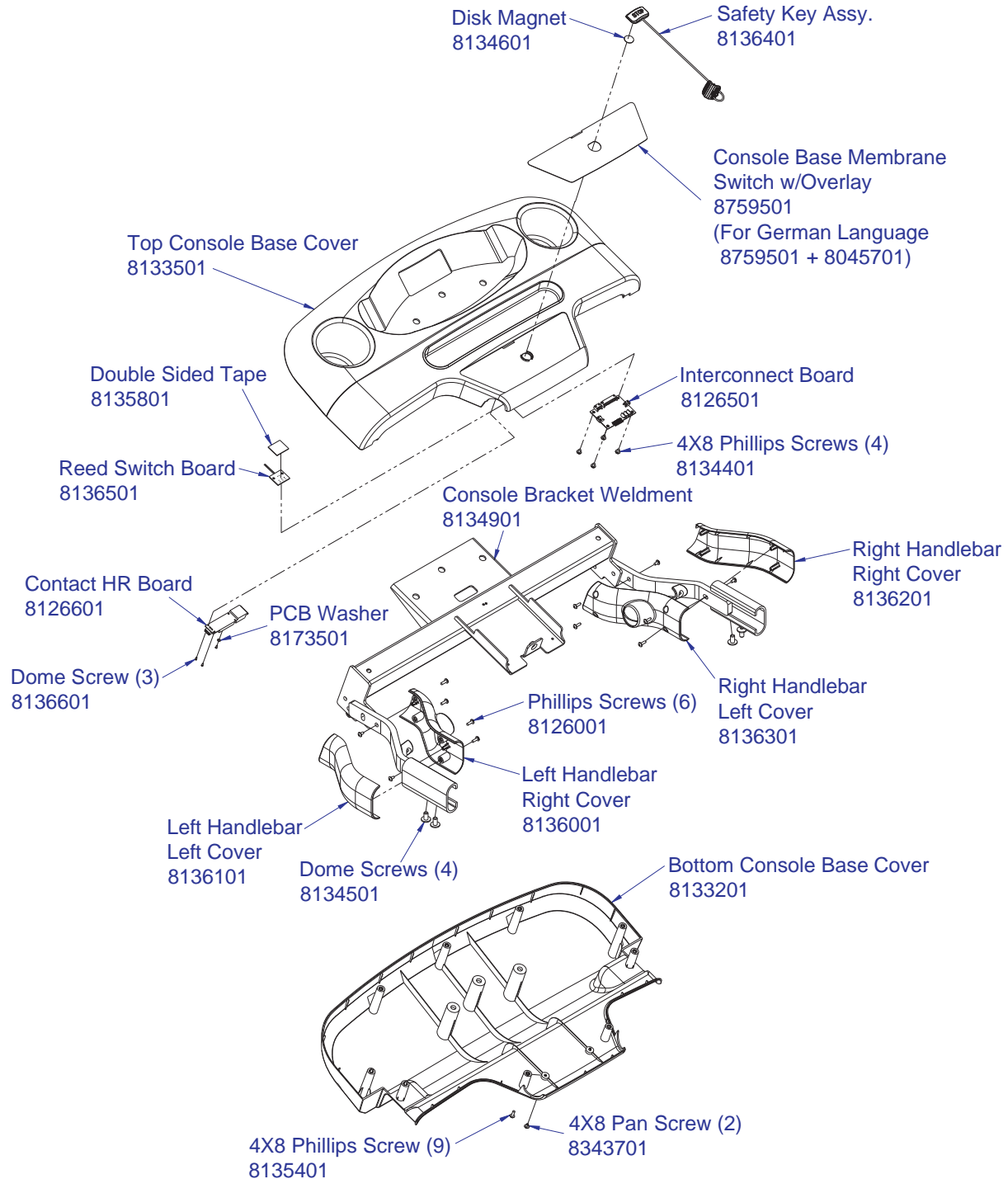
Advanced Console -

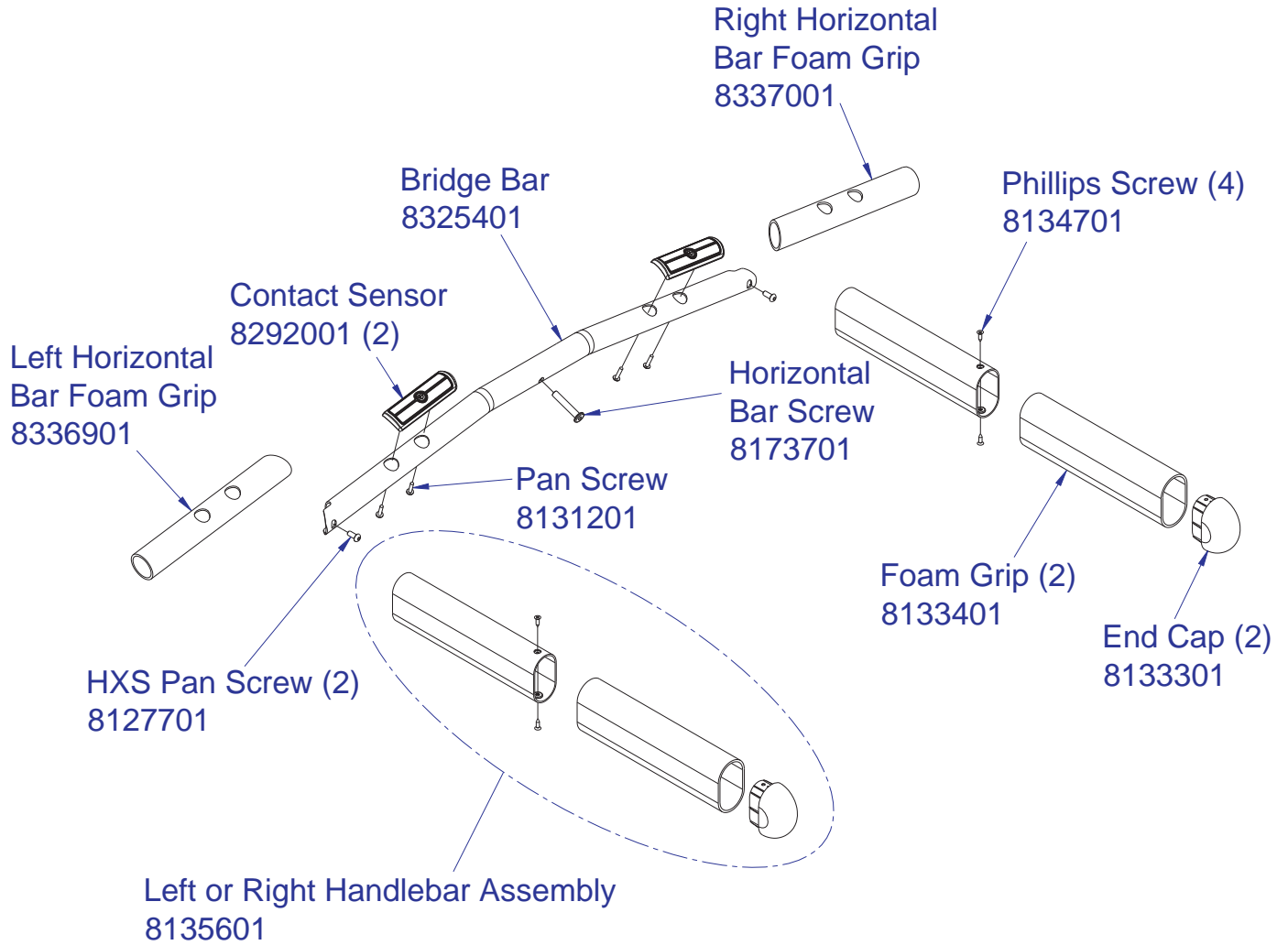


Part Number	Description	Language
ADVT-000X-0102	ADV TREAD CONSOLE, ENG/ENG+MET	English
ADVT-020X-0102	NC ADV TREAD CONSOLE, GER/MET	German
ADVT-040X-0102	ADV TREAD CONSOLE, SPN/MET	Spanish

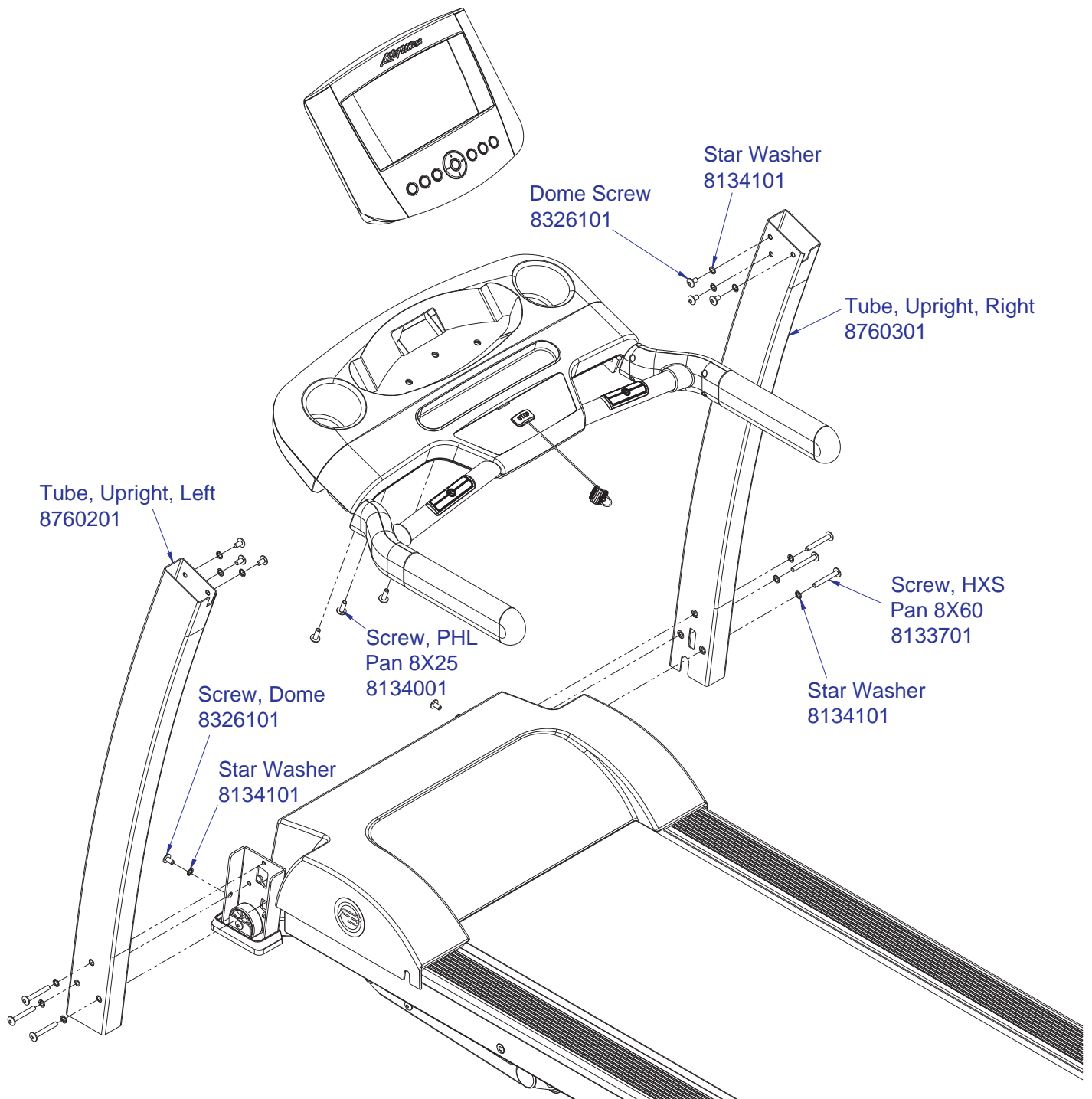
Console Bridge Assembly-
part number 8760101

Includes all items shown except Safety Key. Also includes Horizontal Bridge Bar, Grips, and Contact Heart Rate Sensors shown on page 5.



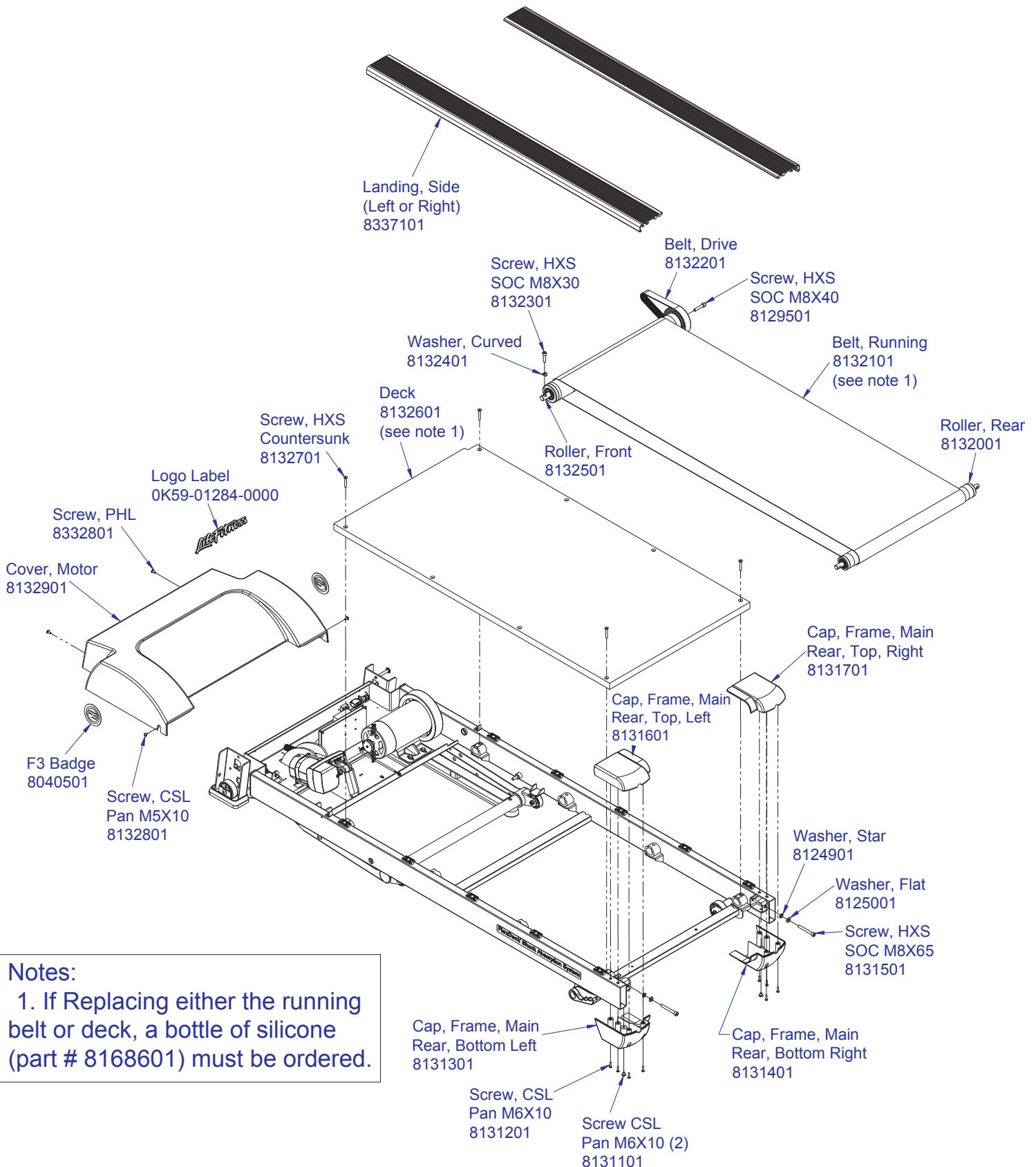


Horizontal Bar Assembly
part number 8343401
Includes Horizontal Bar, Right & Left Horizontal Grips and Contact Sensors



F3 Consumer Treadmill Belt, Deck & Motor Cover Assembly

F3-XX00-0202
F3-XX0X-0202



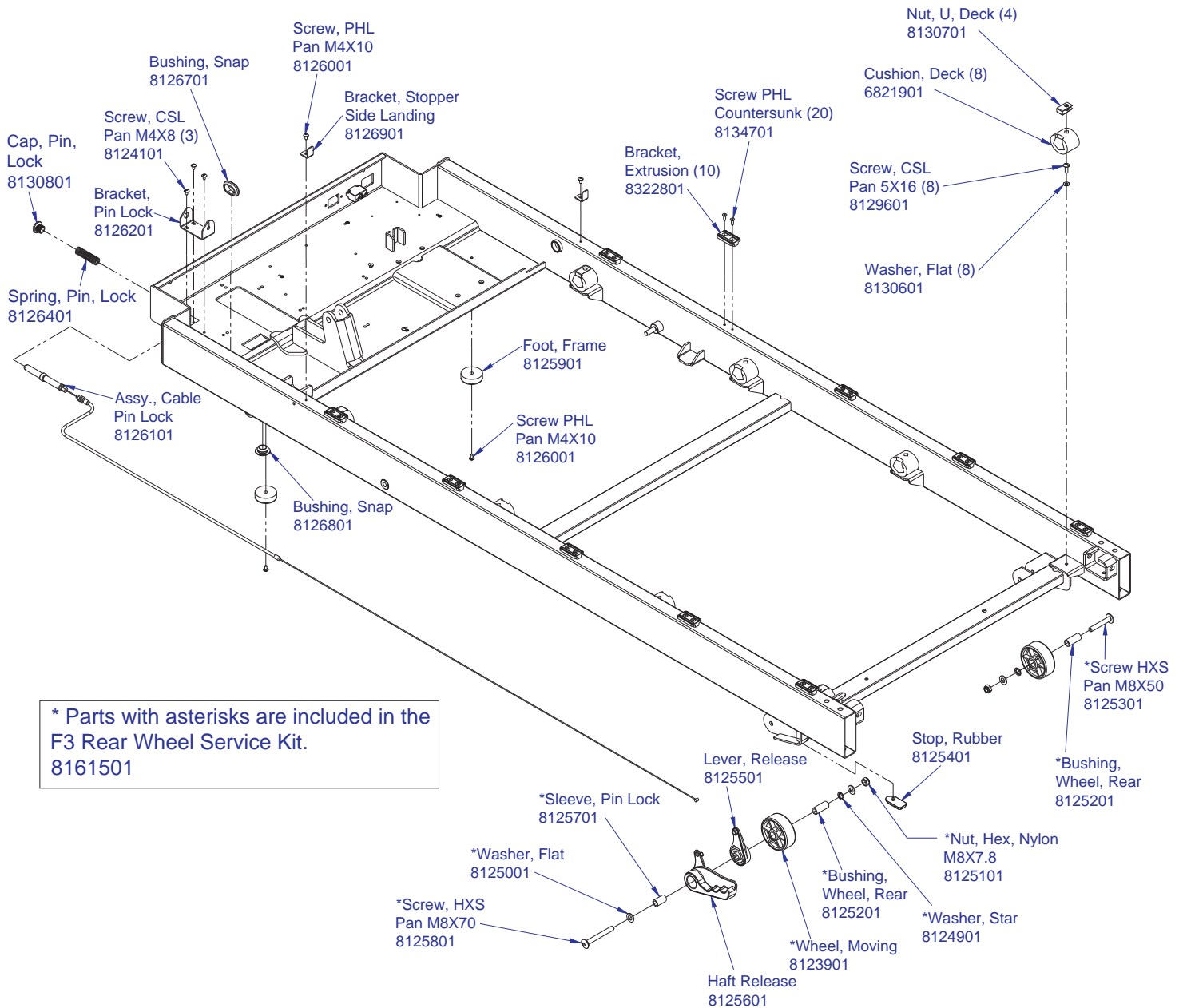
Notes:

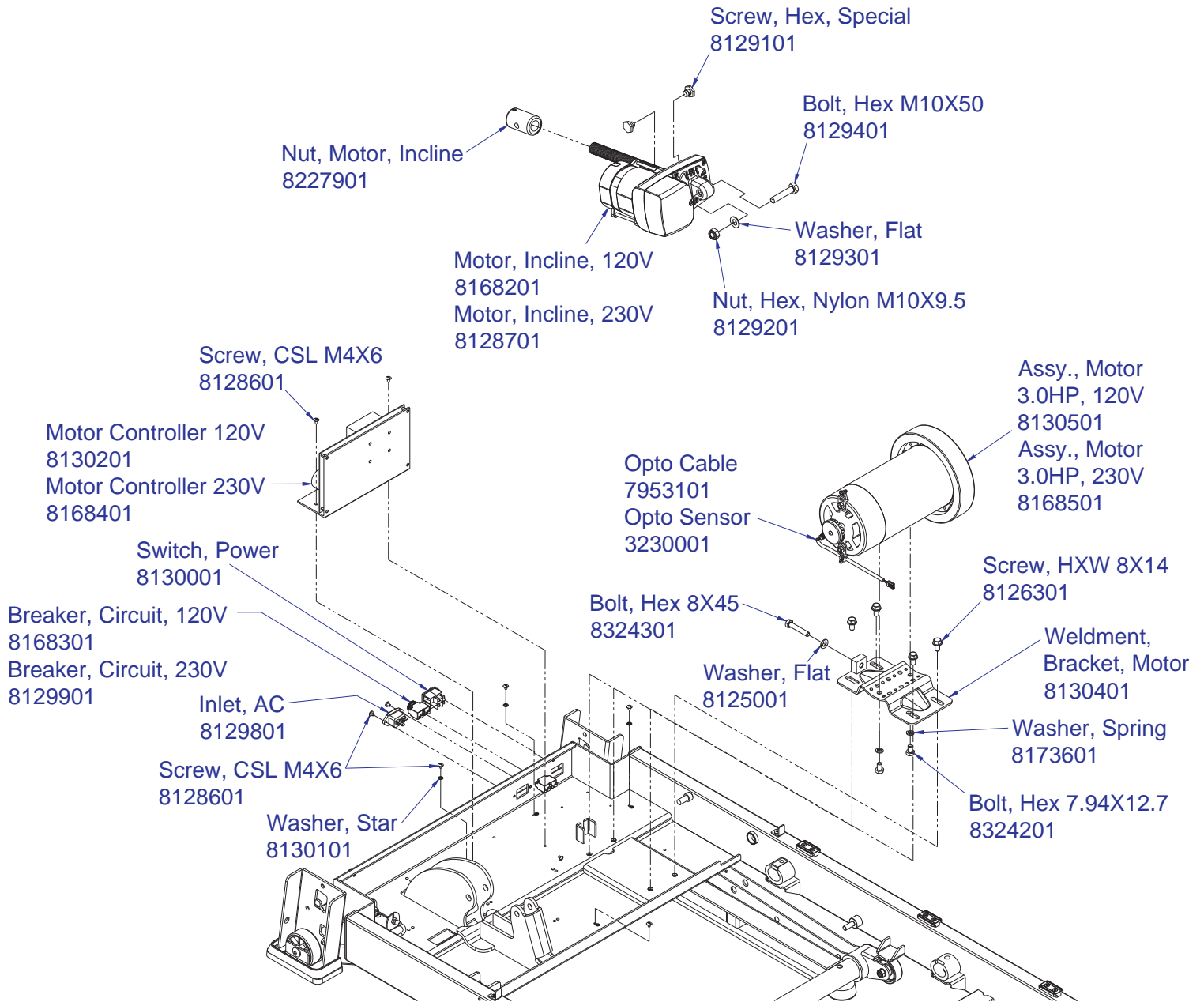
1. If Replacing either the running belt or deck, a bottle of silicone (part # 8168601) must be ordered.

F3 Consumer Treadmill

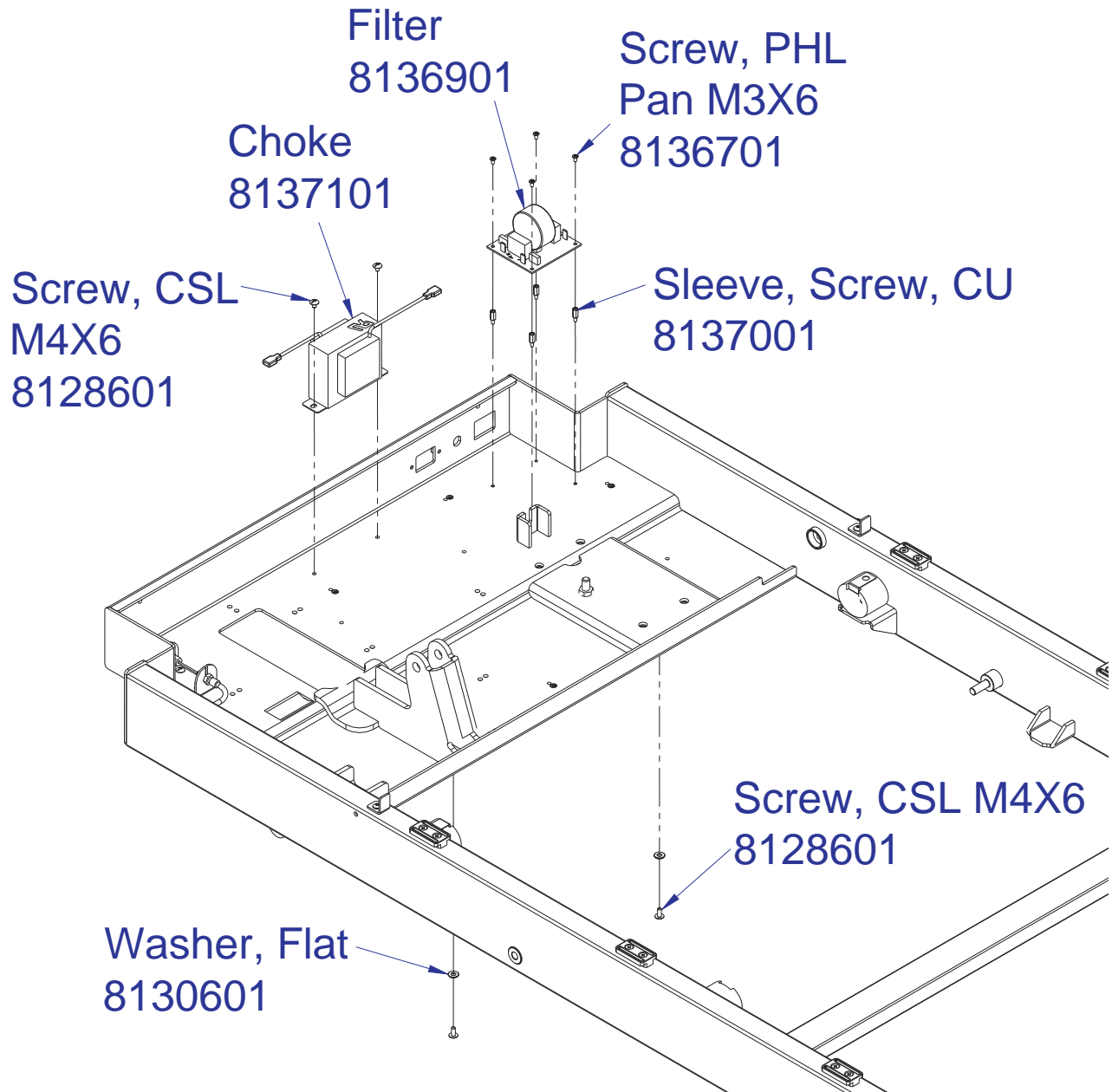
Deck Cushions, Half Release & Rear Wheels

F3-XX00-0202
F3-XX0X-0202



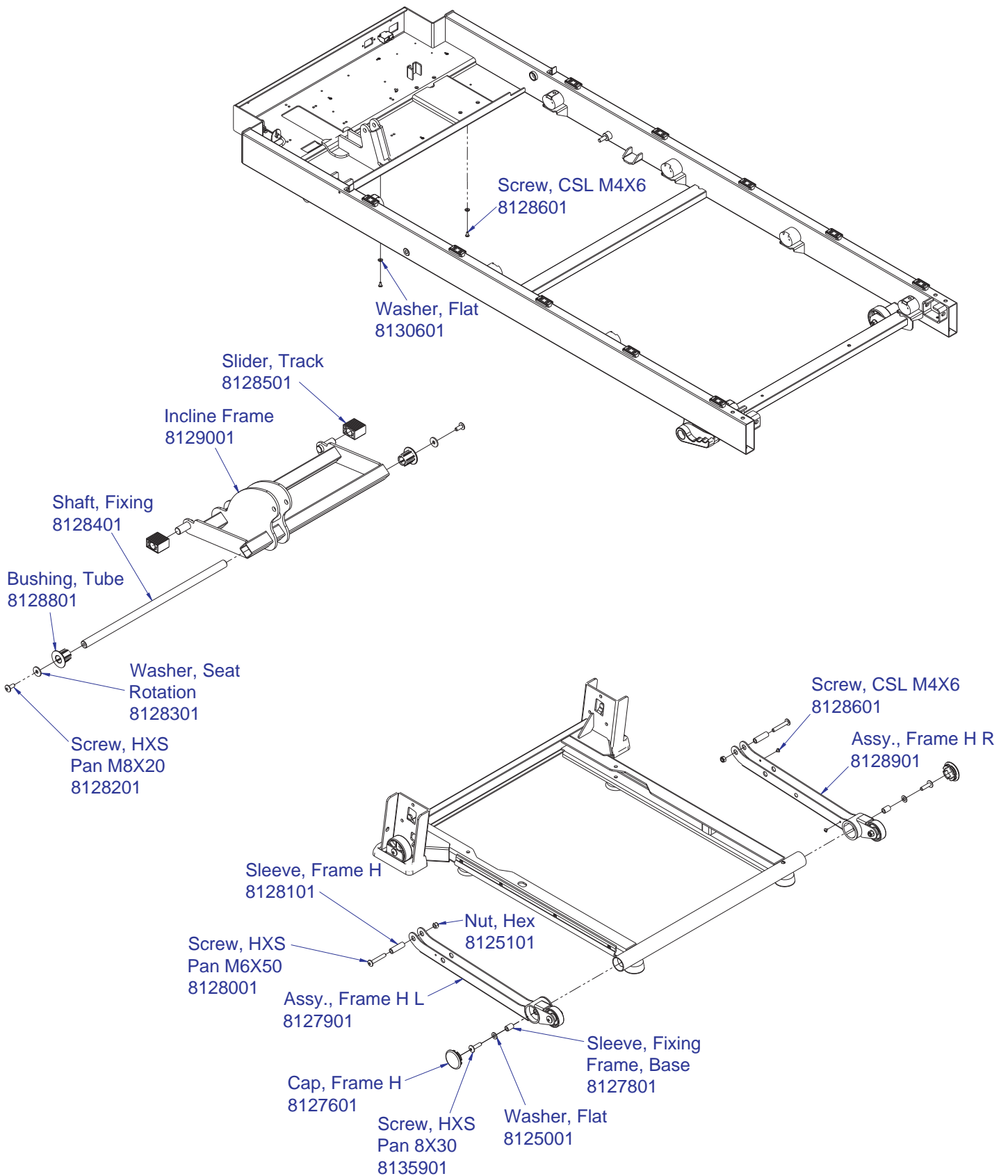


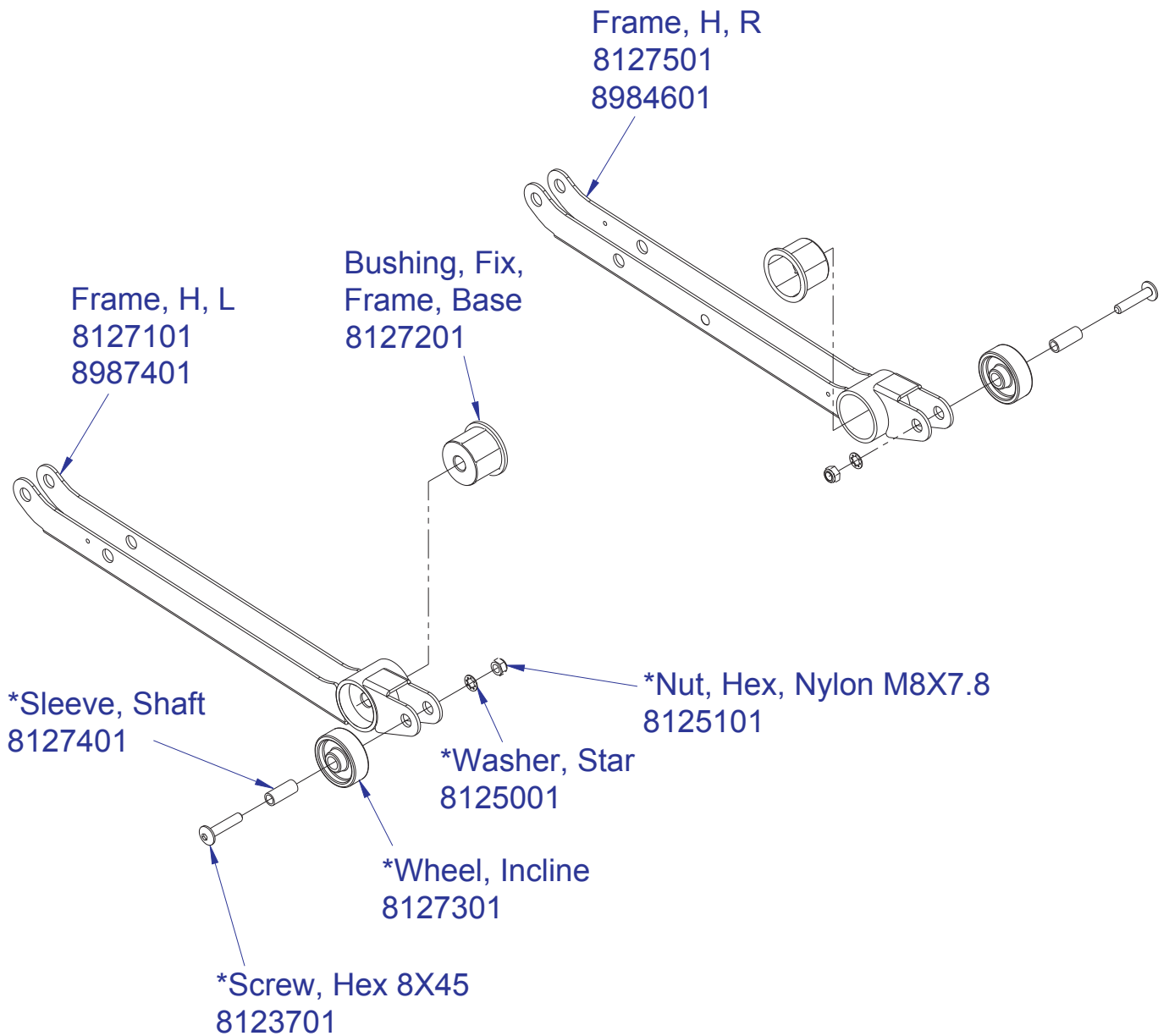
Note: Choke & Filter for 230V version only (F3-XX0X-0202)



F3 Consumer Treadmill Lift Frame Assembly

F3-XX00-0202
F3-XX0X-0202

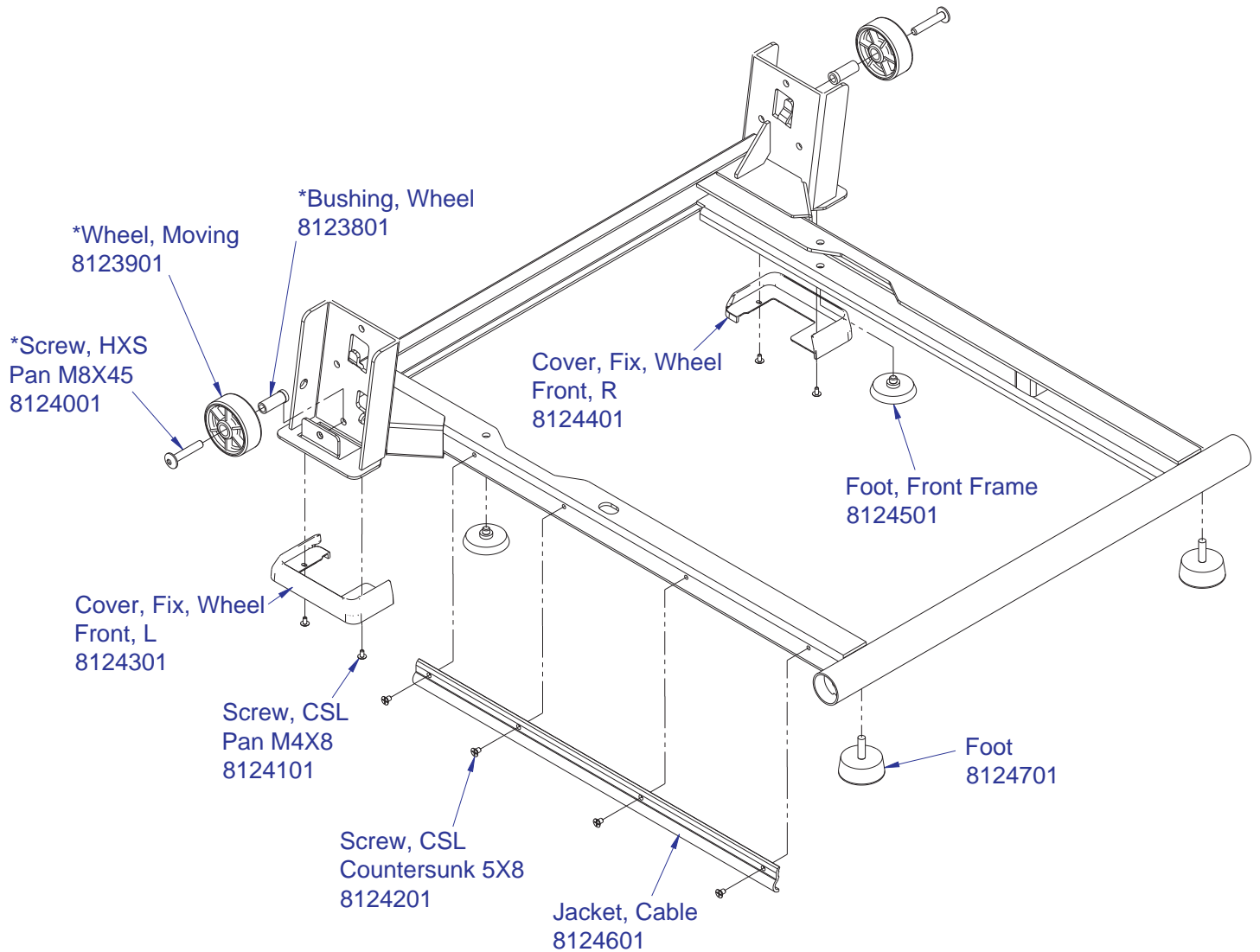


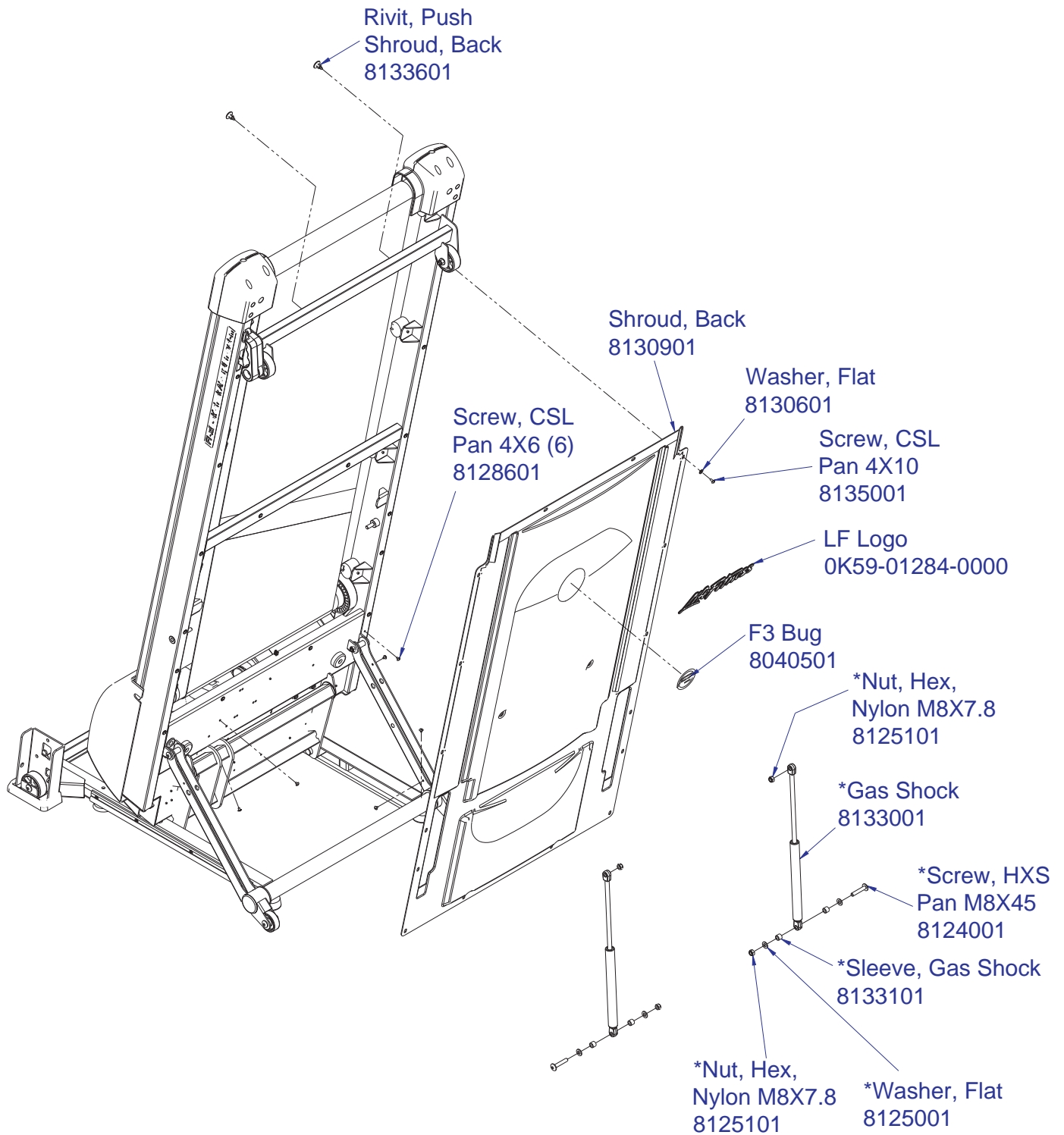


Note: Parts with asterisks are included in the F3 Mid-wheel service assembly. (2 ea. per kit) 8161601

Note: Part numbers 8987401 and 8984601 only for units with Serial Number FTR1111006000 and above.

*Parts with asterisks are included in the F3 Front-wheel service assembly. (2 ea. per kit) 8161401



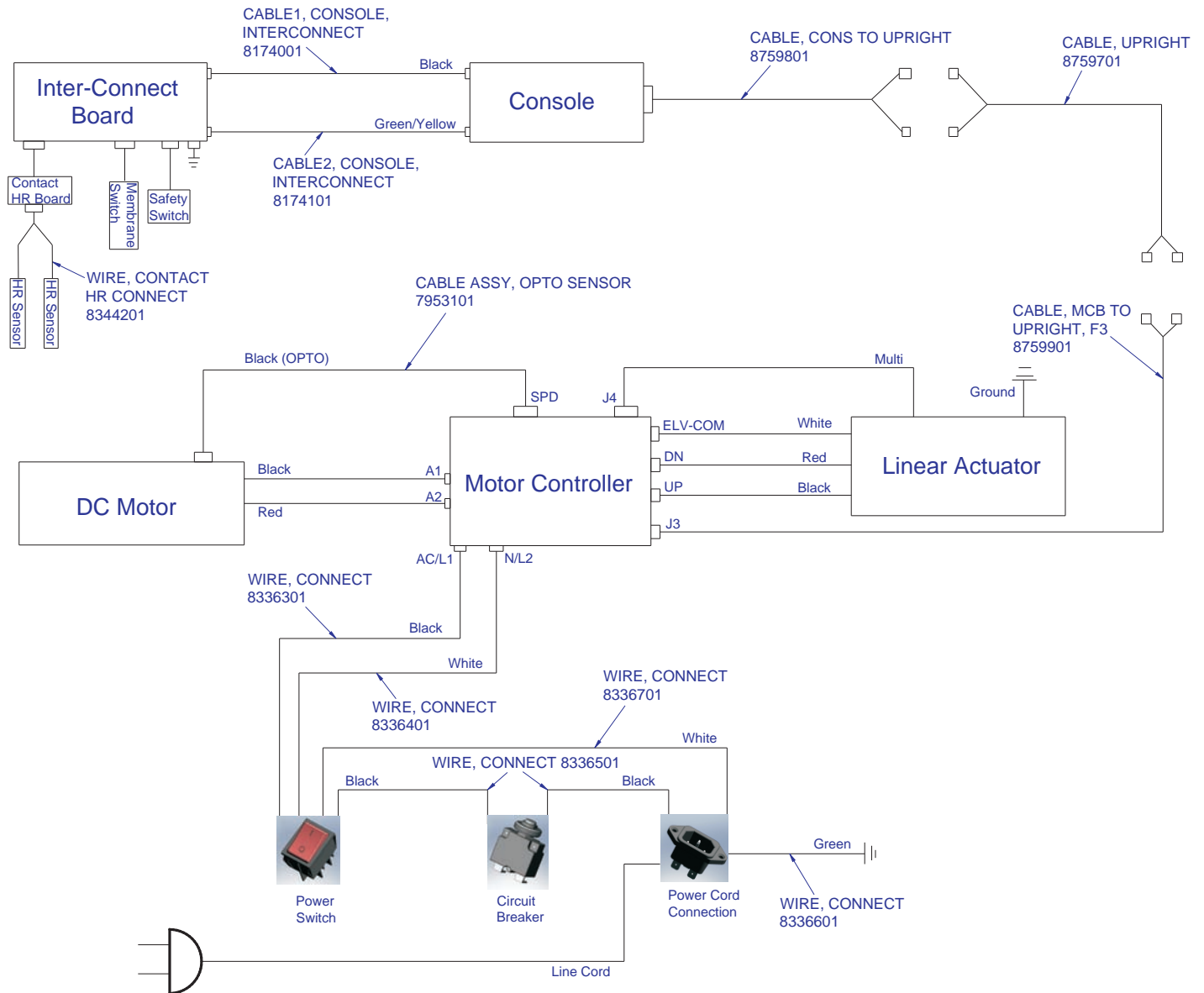


*Parts with asterisks are included in the F3 Gas Shock service assembly. 8161701

Part Number	Description	Qty.
8174701	LINE CORD,U.S.	1
8174801	LINE CORD; AUS	1
8174901	LINE CORD; CONT	1
8175001	LINE CORD; U.K	1
8307301	GROUND WIRE, BRAIDED	3
8531901	THIN WRENCH (for Actuator removal)	1

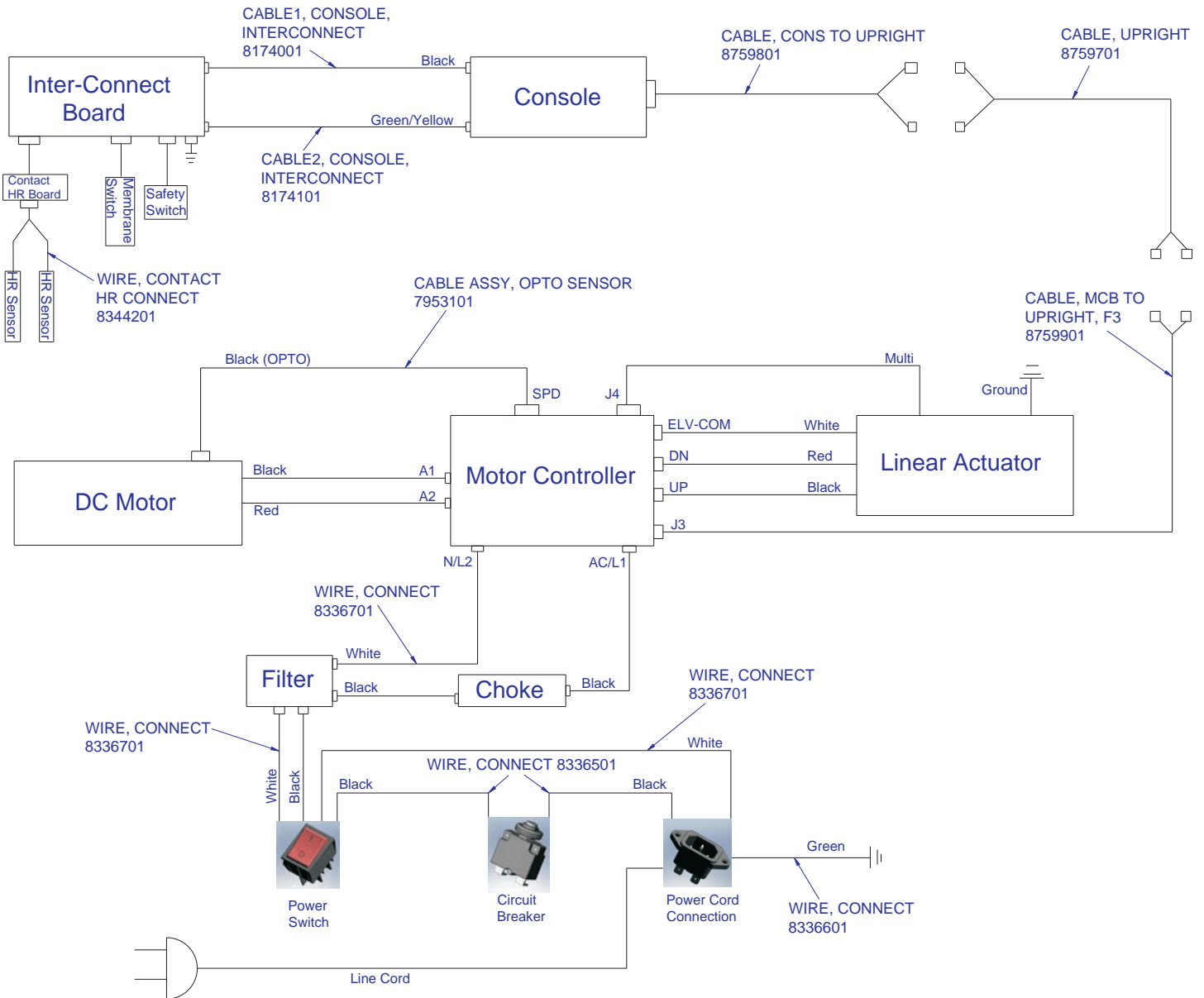
F3 Consumer Treadmill Wiring Diagram (120V Only)

F3-XX00-0202



F3 Consumer Treadmill Wiring Diagram (230V Only)

F3-XX0X-0202





Folded Position



Shown with Advanced Console

Free Manuals Download Website

<http://myh66.com>

<http://usermanuals.us>

<http://www.somanuals.com>

<http://www.4manuals.cc>

<http://www.manual-lib.com>

<http://www.404manual.com>

<http://www.luxmanual.com>

<http://aubethermostatmanual.com>

Golf course search by state

<http://golfingnear.com>

Email search by domain

<http://emailbydomain.com>

Auto manuals search

<http://auto.somanuals.com>

TV manuals search

<http://tv.somanuals.com>