

*Life Fitness 9100 Series Treadmills***How To...REMOVE AND REPLACE THE WAX PUMP NORPRENE HOSE**

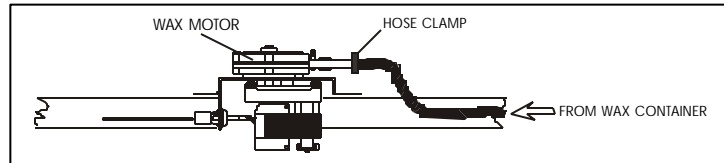
Tools Required: Phillips screwdriver, vise grips or clamp, hex key wrench set, socket and ratchet set

Step 1

Turn the power OFF at the switch and unplug the unit at the electrical outlet.

Step 2

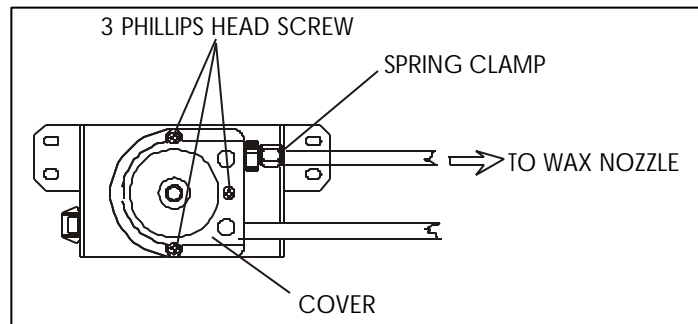
Separate the FRONT and REAR FRAME ASSEMBLIES (See "How To...").

**Step 3**

LOCATE the WAX MOTOR on the user LEFT side of frame chassis.

Step 4

With your fingers, remove the HOSE CLAMP leading from the WAX CONTAINER and temporarily seal off the HOSE to prevent spillage while disconnecting it.

**Step 5**

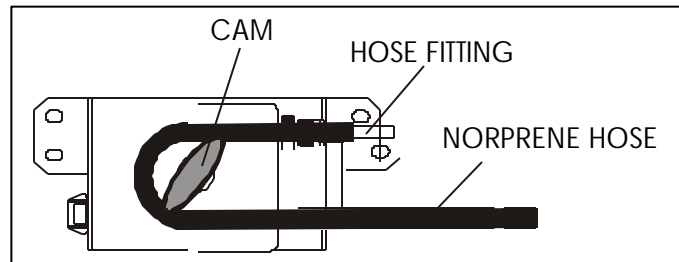
Remove the SPRING CLAMP and DISCONNECT the HOSE leading to the SPRAY NOZZLE.

Step 6

Use a PHILLIPS HEAD SCREWDRIVER and remove the 3 screws and remove the cover on the wax pump.

Step 7

Remove the old NORPRENE HOSE and discard. Reinstall the new NORPRENE HOSE.

**Step 8**

Reverse Steps 1 through 6 to return all parts to their proper positions taking special note to unkink the WAX CONTAINER HOSE prior to rejoining the FRONT and REAR FRAME ASSEMBLIES.

NOTE: THIS IS NORMALLY AN OPPORTUNE TIME TO INSPECT THE WAX SPRAY NOZZLE. BETWEEN THE BOTTOM OF THE FRAME AND THE STRIDING BELT. PRESS THE SPRAY NOZZLE IN AND TWIST IT 1/4 TURN TO REMOVE. CLEAN OR REPLACE THE SPRAY NOZZLE AS DEEMED NECESSARY AND COMPLETE GENERAL CLEANING OF THE UNIT.

Free Manuals Download Website

<http://myh66.com>

<http://usermanuals.us>

<http://www.somanuals.com>

<http://www.4manuals.cc>

<http://www.manual-lib.com>

<http://www.404manual.com>

<http://www.luxmanual.com>

<http://aubethermostatmanual.com>

Golf course search by state

<http://golfingnear.com>

Email search by domain

<http://emailbydomain.com>

Auto manuals search

<http://auto.somanuals.com>

TV manuals search

<http://tv.somanuals.com>