



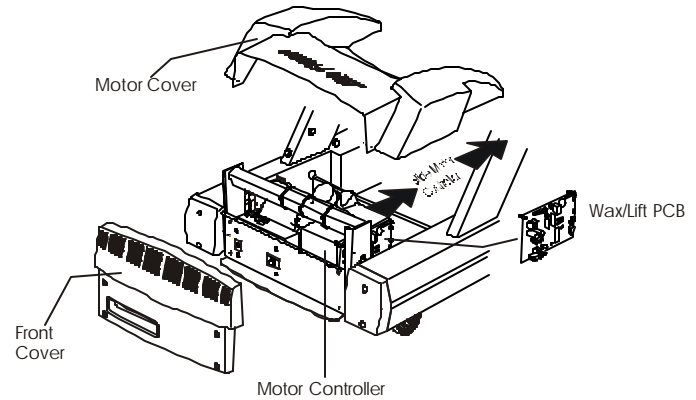
## Service Kit Instructions

### How To...Install Wax Lift PCB on Next Generation Treadmills

---

Installation Kit M051-00K58-A034 consists of a Wax Lift PCB and Hardware. Proceed with the following steps to facilitate proper installation.

1. Turn the unit power OFF at the switch, then unplug the line cord at the wall outlet.
2. Remove the motor cover and front cover.
3. Remove the motor controller mounting screws and slide the motor controller back to gain access to the wax lift board mounting screws and electrical connectors.
4. Disconnect all connectors from the Wax Lift Board.
5. Remove three phillips mounting screws from the PCB and remove.
6. Install the new PCB in the reverse order.



## Free Manuals Download Website

<http://myh66.com>

<http://usermanuals.us>

<http://www.somanuals.com>

<http://www.4manuals.cc>

<http://www.manual-lib.com>

<http://www.404manual.com>

<http://www.luxmanual.com>

<http://aubethermostatmanual.com>

Golf course search by state

<http://golfingnear.com>

Email search by domain

<http://emailbydomain.com>

Auto manuals search

<http://auto.somanuals.com>

TV manuals search

<http://tv.somanuals.com>