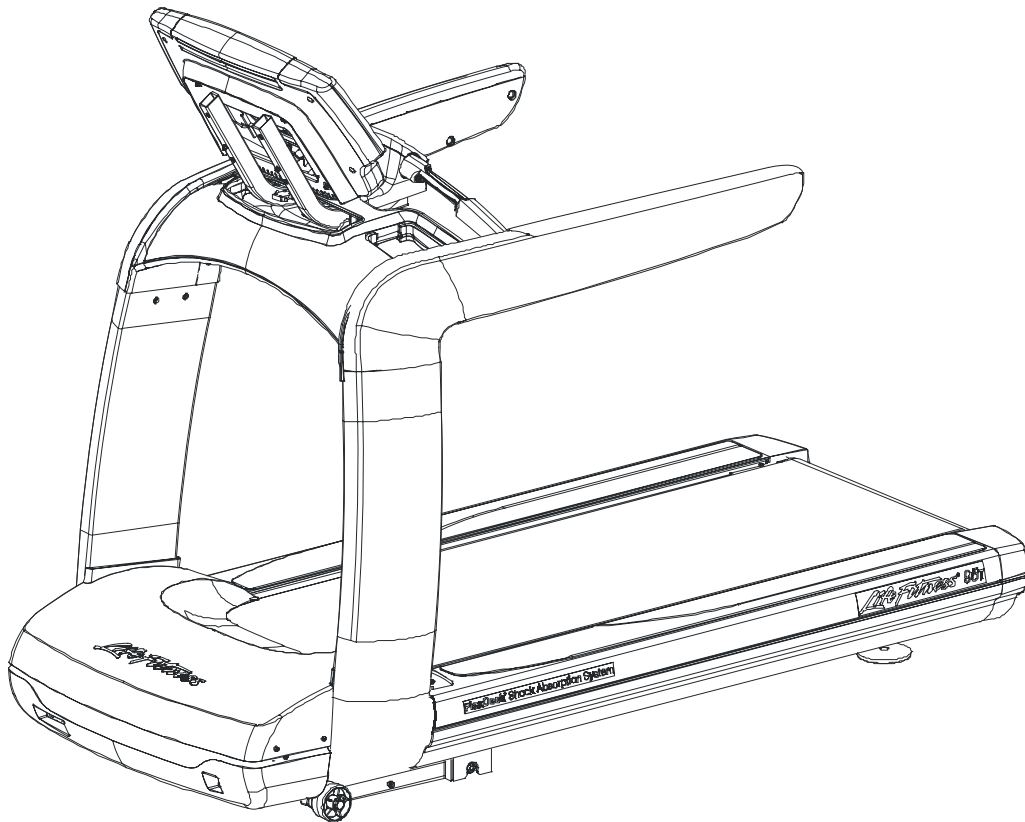


LifeFitness

PCST-DOMLX-02, PCST-DOMHX-02, and PCST-INTHX-02 Treadmills

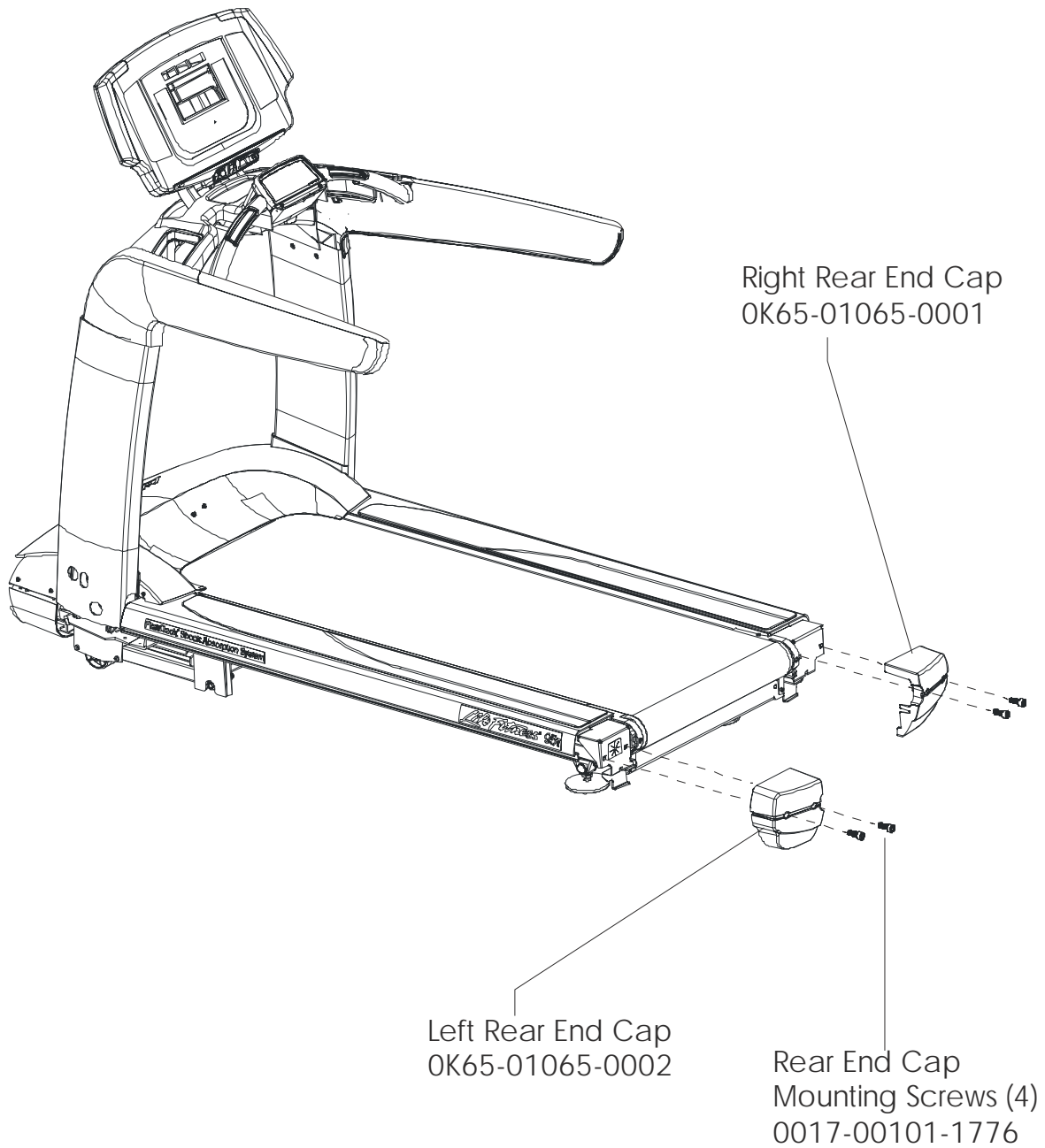


Customer Support Services PARTS MANUAL rev 22 May 2008

Miscellaneous	3
Rear End Caps.....	4
Anti-slip Pad and Extrusions	5
Console Assembly	6
Uprights and Covers	7
Bridge Covers and Activity Zone	8
Handrails and Covers	9
Console Bracket and Covers	10
Ergo Bar Components.....	11
Motor Pan Covers	12
Motor Pan Brackets	13
Belt, Deck, and Rollers.....	14
Deck Springs and Roller Guards.....	15
Lift Motor and Hardware	16
Lift Frame and Wheels	17
DSP Motor Controller	18
On/Off Switch, Home Switch, and Line Filter	19
Drive Motor Assembly.....	20
Idler Assembly and Static Brush.....	21
Leg Leveler Assembly.....	22
Cables	23

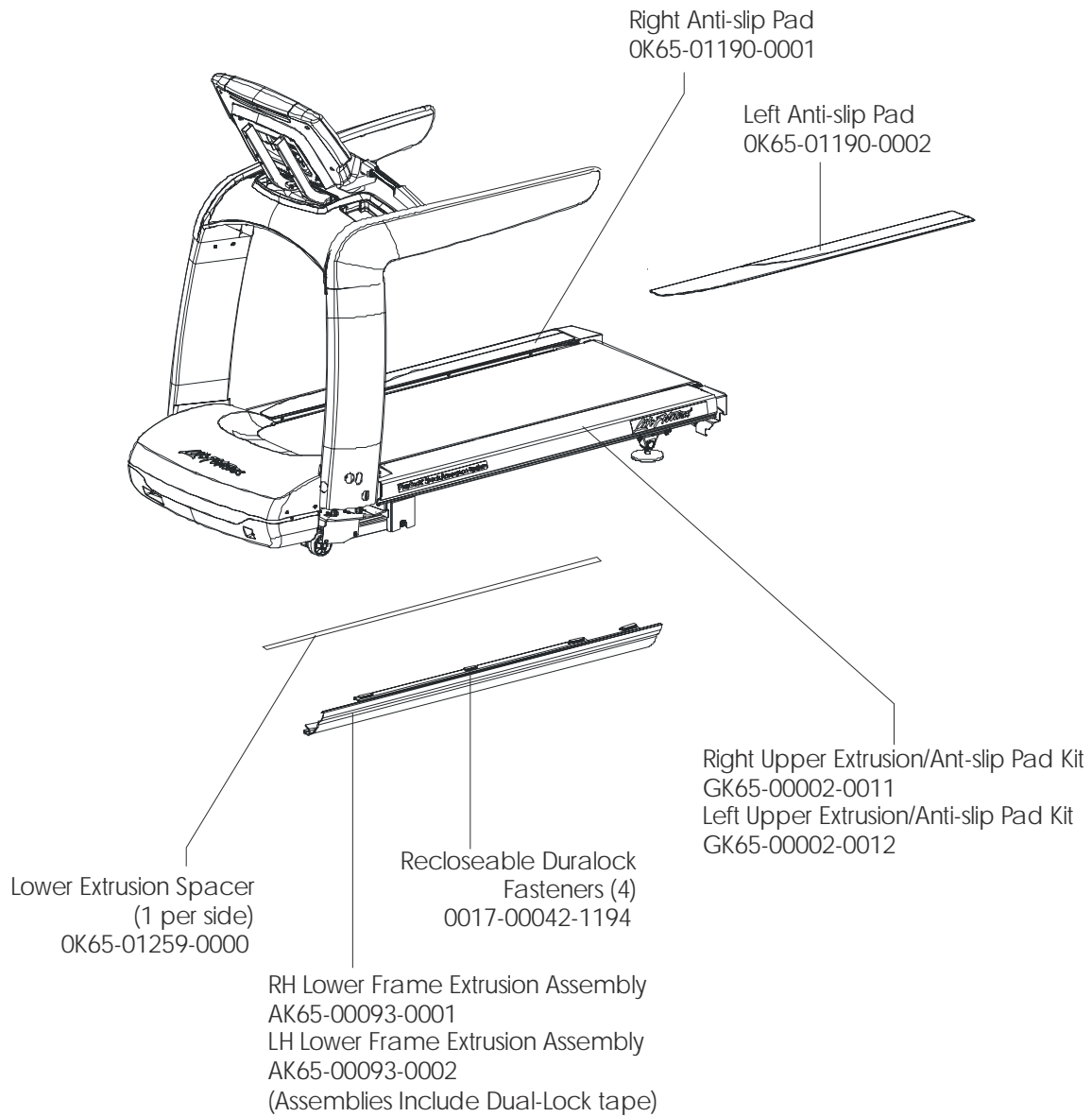
Description	Part No.
OPERATION MANUAL	M051-00K65-A020
HARDWARE BAG	AK65-00025-0000
BAG CONSISTS OF:	
SCREW - 8-18x12	0017-00101-1769 - 2 PCS.
SCREW - M6x1.00-6G6Gx20	0017-00101-1902 - 7 PCS.
SCREW - M6x1.00-6G6Gx35	0017-00101-1954 - 6 PCS.
SCREW - M12x1.75-6G6Gx30	0017-00101-1984 - 16 PCS.
SCREW - M6x1.00-6G6Gx14	0017-00101-1953 - 68 PCS.
SCREW - 10-16X8	0017-00101-1776 - 8 PCS.
SCREW - M3x.8-6G6Gx10	0017-00101-1995 - 4 PCS.
WASHER - M006.50	0017-00104-0488 - 19 PCS.
WASHER - M012.70	0017-00104-0489 - 16 PCS.
C-SAFE Splitter	0017-00021-2740
TOUCH UP PAINT:	
SPRAY CAN	0017-00008-0204
.5 OZ BOTTLE W/APPLICATOR	0017-00008-0205
.33 OZ PEN	0017-00008-0206
Line cord Bracket	0K65-01131-0000
SCREW - M4x.07-6G6Gx10	0017-00101-1968 - 2 PCS.
LINE CORDS:	
Domestic Low Voltage	0017-00003-0985
Domestic High Voltage	0017-00003-0781
International high Voltage	0017-00003-0696
UK	0017-00003-0890
Australia	0017-00003-0996
China	0017-00003-1014

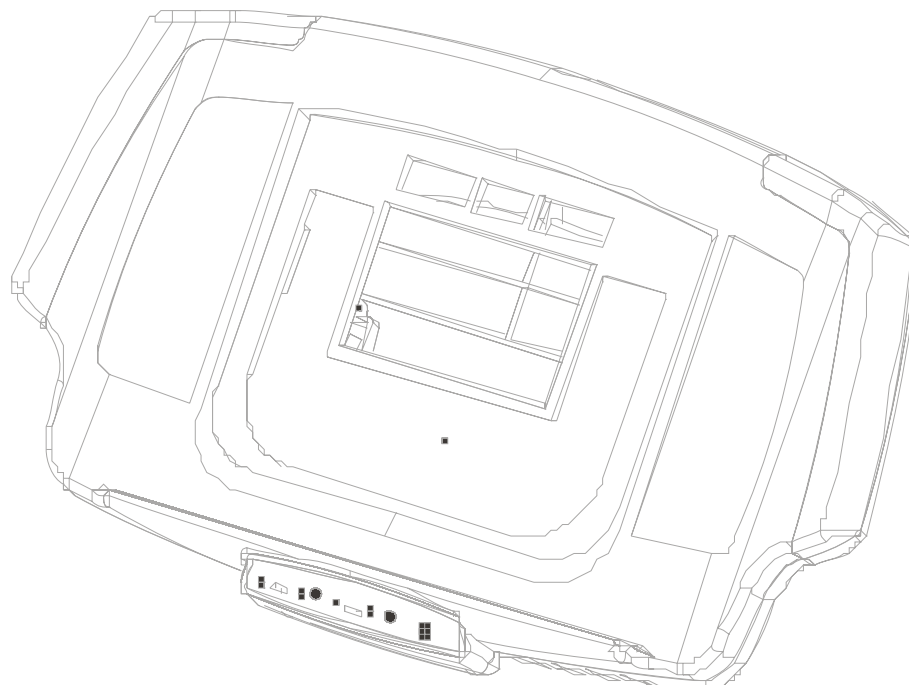
This treadmill has both Lifepulse hand sensors and telemetry and is pre-wired for attachable TV.



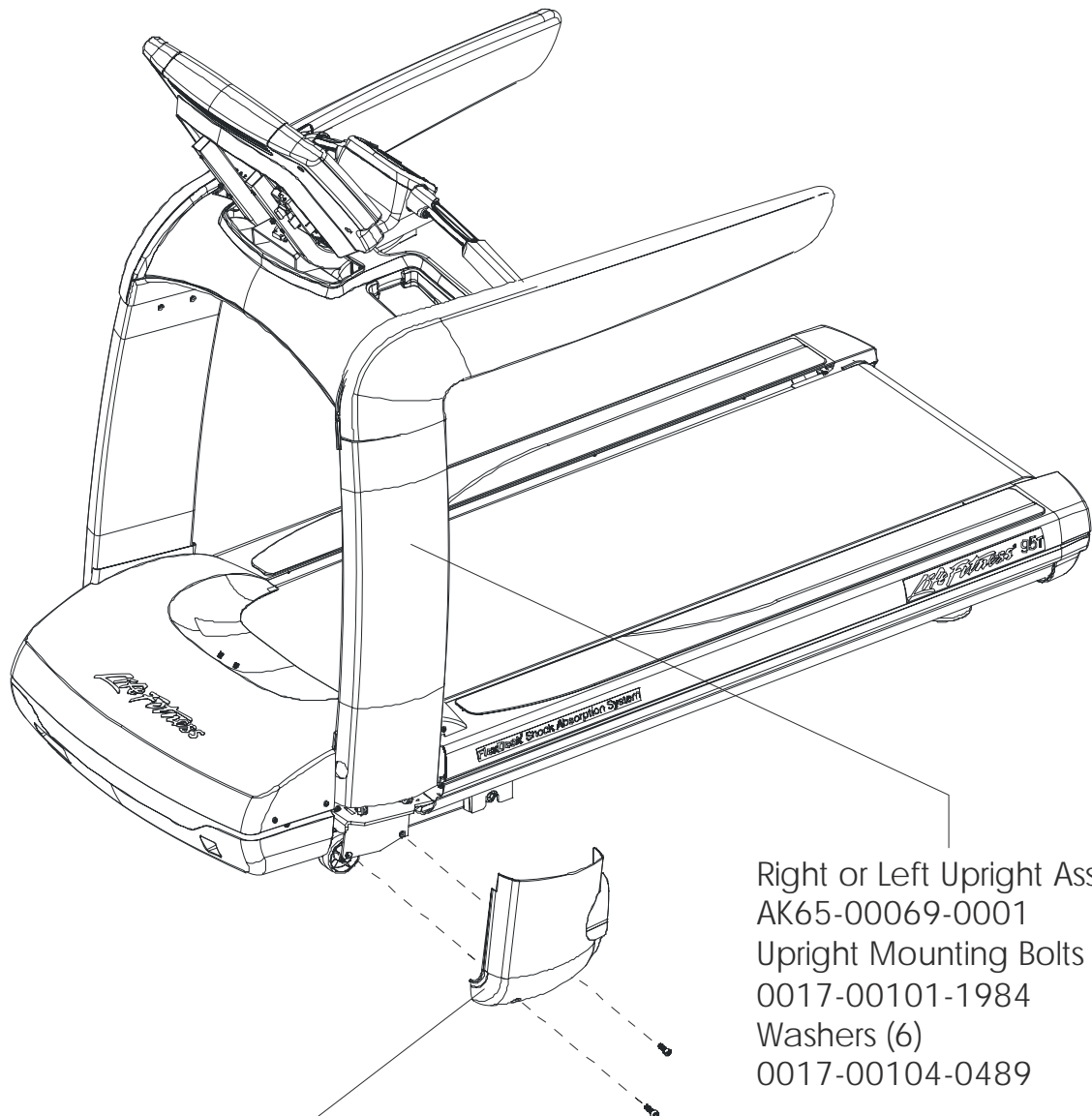
Platinum Club Series Treadmill
Anti-slip Pad and Extrusions

PCST-XXXXX-02
S/N PST100000 and up





Description	Part No.
LED TREADMILL CONSOLE - ENGLISH	LEDT-DOMXX-01
LED TREADMILL CONSOLE - INTERNATIONAL	LEDT-INTXX-01
7-INCH LCD TREADMILL CONSOLE DOM	07DT-DOMXX-01
7-INCH LCD TREADMILL CONSOLE INT	07DT-INTXX-01
15-INCH LCD TREADMILL CONSOLE DOM NTSC	15DT-DOMXN-01
15-INCH LCD TREADMILL CONSOLE NTSC	15DT-INTXN-01
15-INCH LCD TREADMILL CONSOLE PAL	15DT-INTXP-01



Right or Left Upright Assembly
AK65-00069-0001
Upright Mounting Bolts (6)
0017-00101-1984
Washers (6)
0017-00104-0489

Right Upright Cover
OK65-01127-0001
Left Upright Cover
OK65-01127-0002

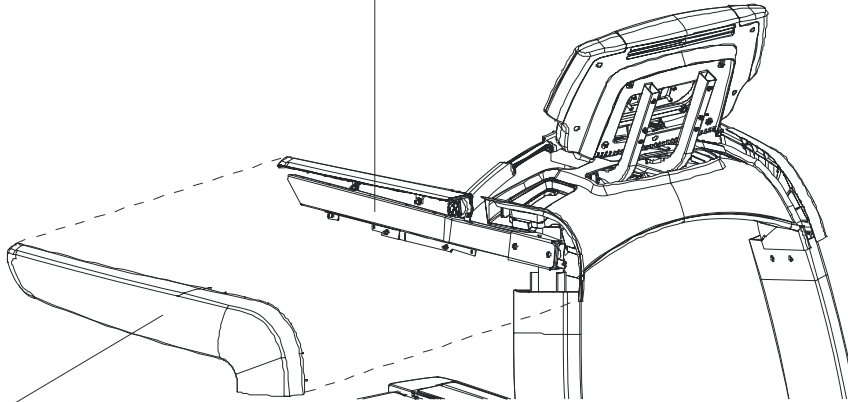
Upright Cover
Mounting Screws (2)
0017-00101-1776

Top Bridge Cover
OK65-01051-0000
Bottom Bridge Cover
OK65-01052-0000
Bezel Access Door
OK65-01053-0000
Bridge Access Door
OK65-01208-0000
Bridge Cover Mounting Screws (10)
0017-00101-1953

Activity Zone Assembly
AK65-00015-0000
Mounting Screws (2)
0017-00101-1954

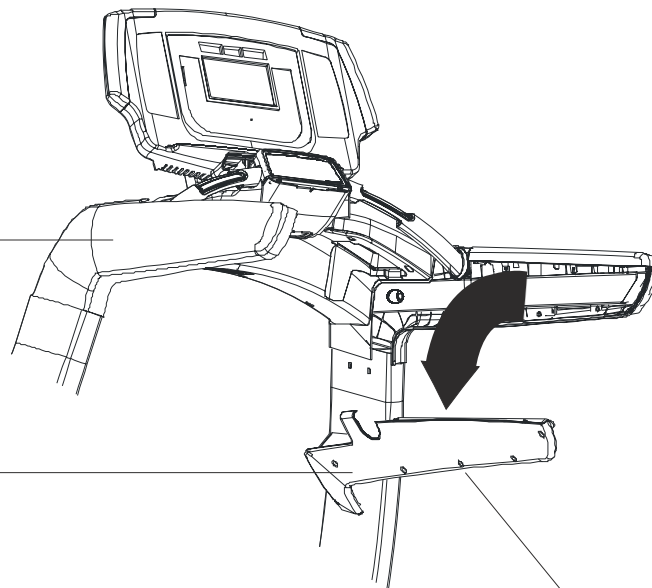


Right Handrail Assembly
AK65-00077-0001



Right Outer Handrail Cover
OK65-01167-0001
Outer Handrail Mounting Screws
(6 per cover)
0017-00101-1953

Left Handrail Assembly
AK65-00077-0002
Left Outer
Handrail Cover
OK65-01167-0002



Right Inner Handrail Cover
OK65-01168-0001
Left Inner Handrail Cover
OK65-01168-0002
Inner Handrail Mounting
Screws (5 per cover)
0017-00101-1953

Inner Handrail Plug
OK65-01225-0000
Plugs (bag of 10)
AK65-00101-0000

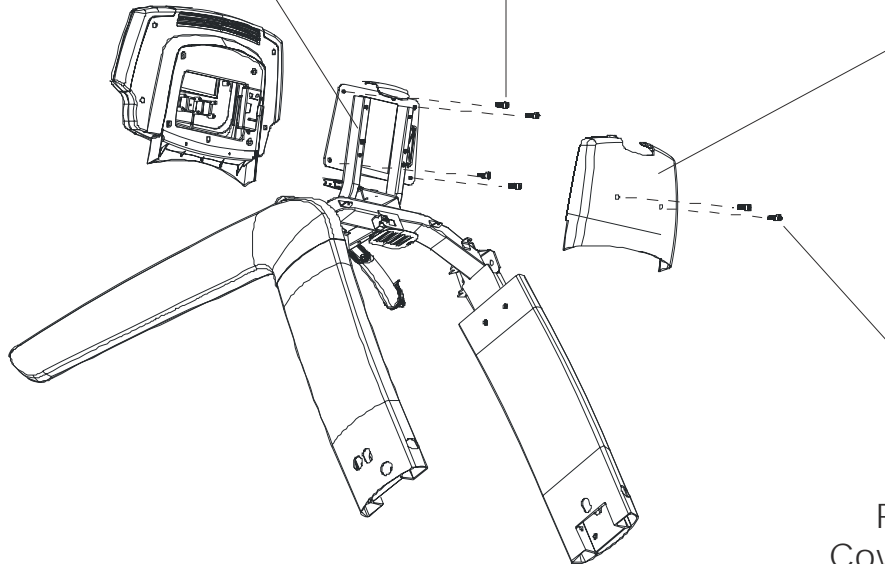
Platinum Club Series Treadmill
Console Bracket and Covers

PCST-XXXXX-02
S/N PST100000 and up

Console Bracket Assembly
AK65-00085-0000

Console Mounting Screws (4)
0017-00101-1995

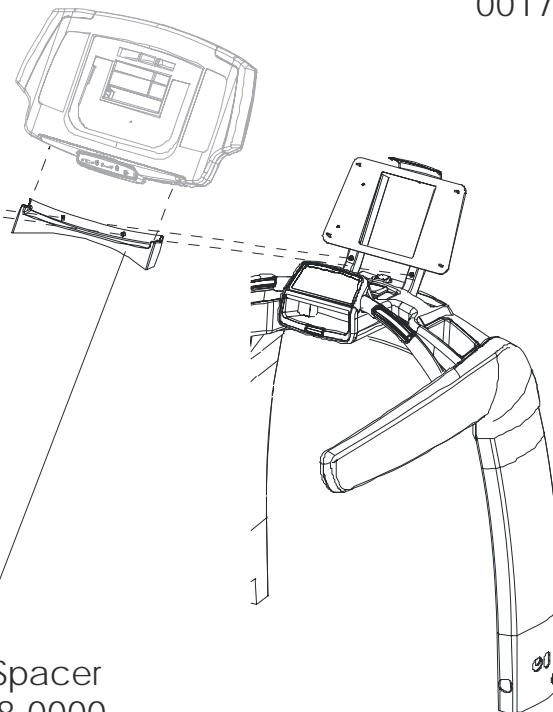
Rear Console
Cover w/Decal
AK65-00090-0000



Rear Console
Cover Screws (2)
0017-00101-1953

Neck Spacer Screws (2)
0017-00101-1953

Console Neck Spacer
0K65-01188-0000



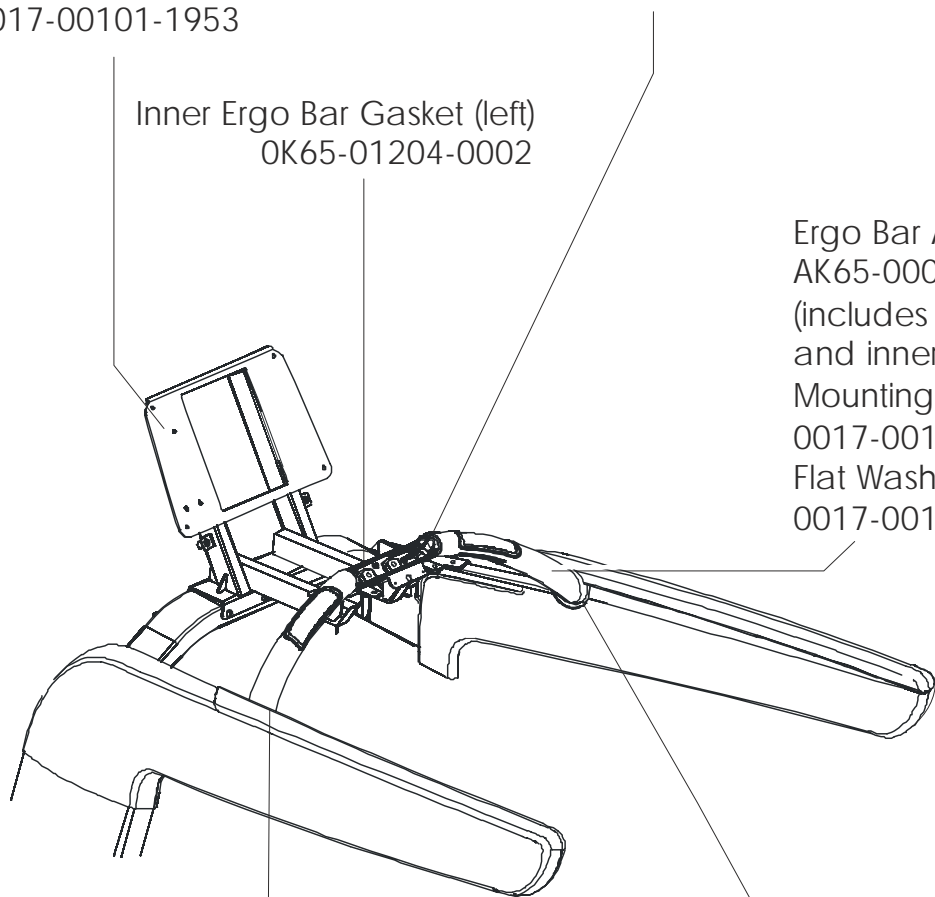
HR Sensor Kit
GK65-00002-0002
(includes 4 sensors, sensor gaskets,
and mounting screws)

Bridge Weldment
AK65-00129-0000
Bridge Weldment
Mounting Screws (4)
0017-00101-1953

Inner Ergo Bar Gasket (right)
OK65-01204-0001

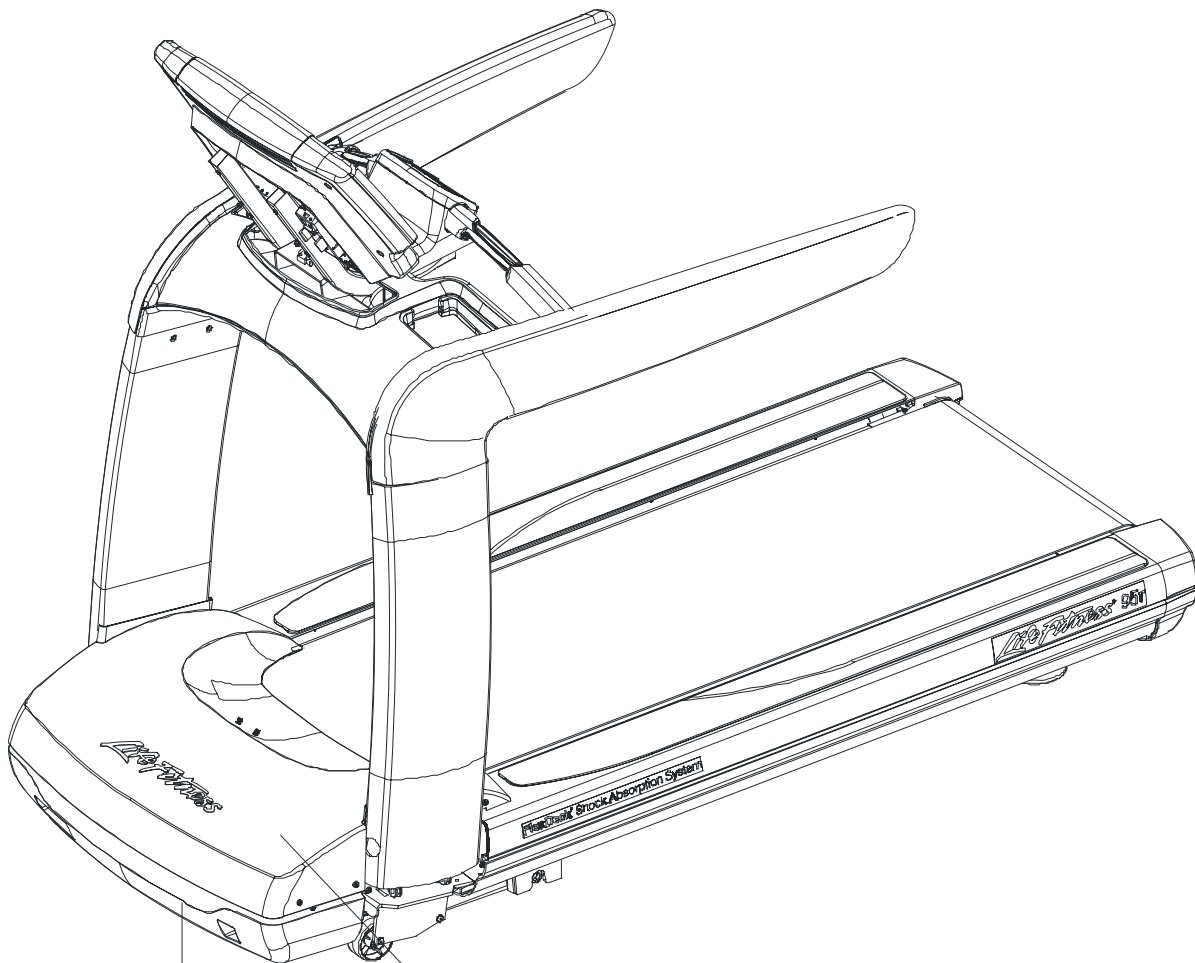
Inner Ergo Bar Gasket (left)
OK65-01204-0002

Ergo Bar Assembly
AK65-00014-0000
(includes HR sensors kit
and inner Ergo Bar gaskets)
Mounting Screws (4)
0017-00101-1954
Flat Washers (4)
0017-00104-0488



Outer Ergo Bar Gasket (right)
OK65-01203-0001

Outer Ergo Bar Gasket (left)
OK65-01203-0002



Bottom Motor Cover
OK65-01126-0000
Motor Cover Screws (4)
0017-00101-1776

Top Motor Cover
OK65-01125-0000
Motor Cover Screws (4)
0017-00101-1776

Actuator and Frame Tie Weldment

AK65-00088-0000

Flat Washers (5)

0017-00104-0334

Mounting Bolts (5)

0017-00101-1983

Lock Washers (5)

0017-00104-0064

Mounting Bolts (2)

0017-00101-1982

Flat Washers (2)

0017-00104-0492

Bar Tie

OK65-01187-0000

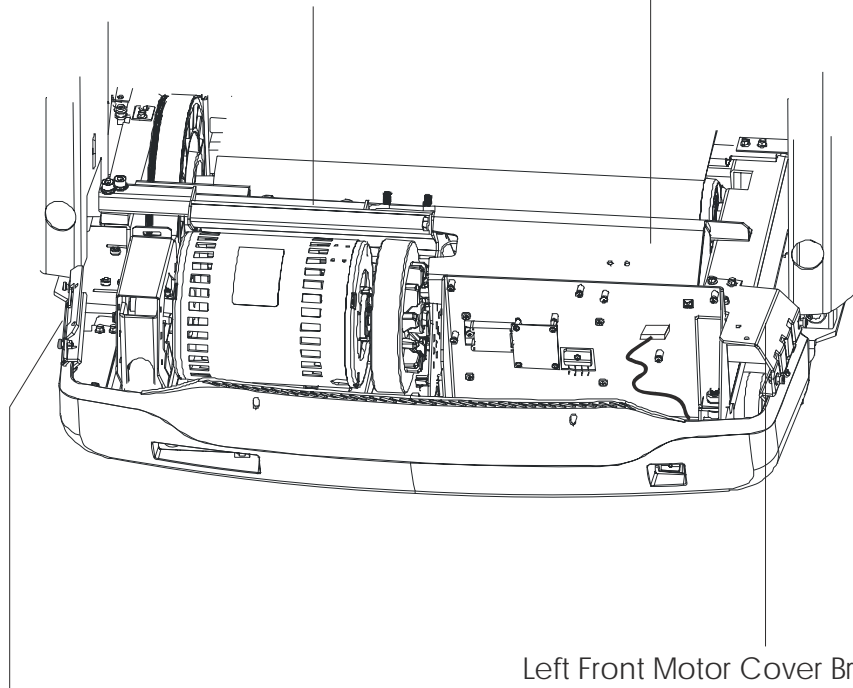
Bar Tie Mounting Hardware

0017-00101-1959 (4)

0017-00103-0333 (4)

0017-00104-0330 (4)

0017-00104-0334 (4)



Right Front Motor Cover Bracket

OK65-01134-0001

Mounting Screws (3)

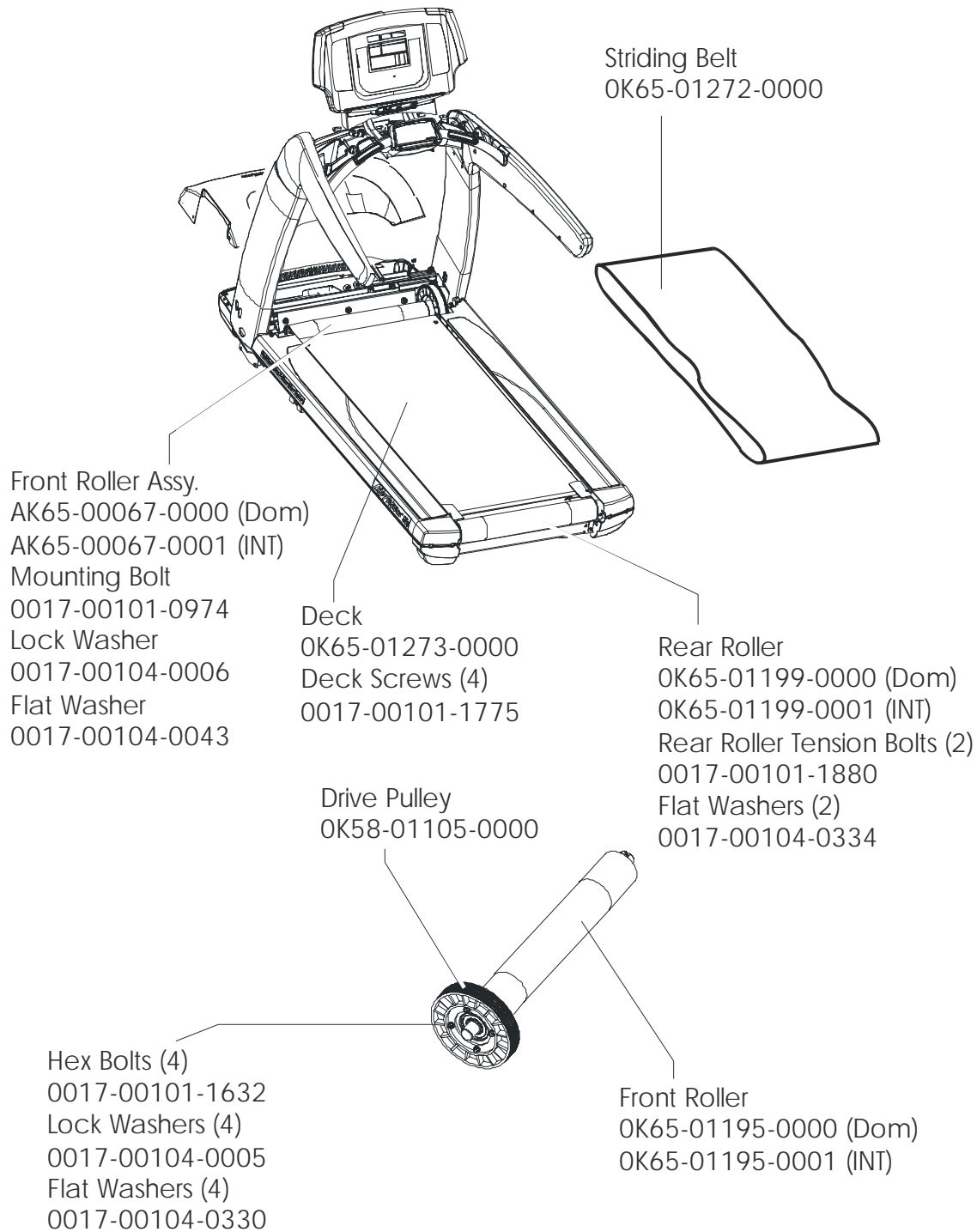
0017-00101-1961

Left Front Motor Cover Bracket

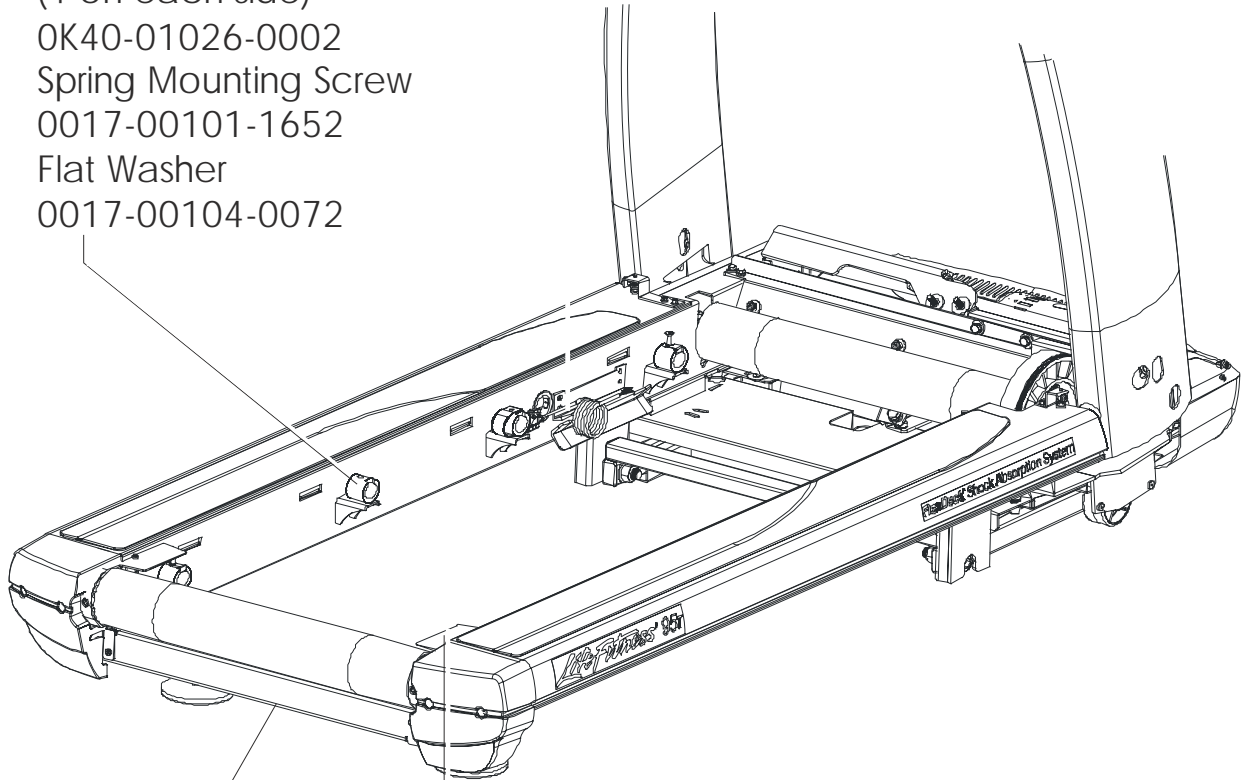
OK65-01134-0002

Mounting Screws (4)

0017-00101-1961

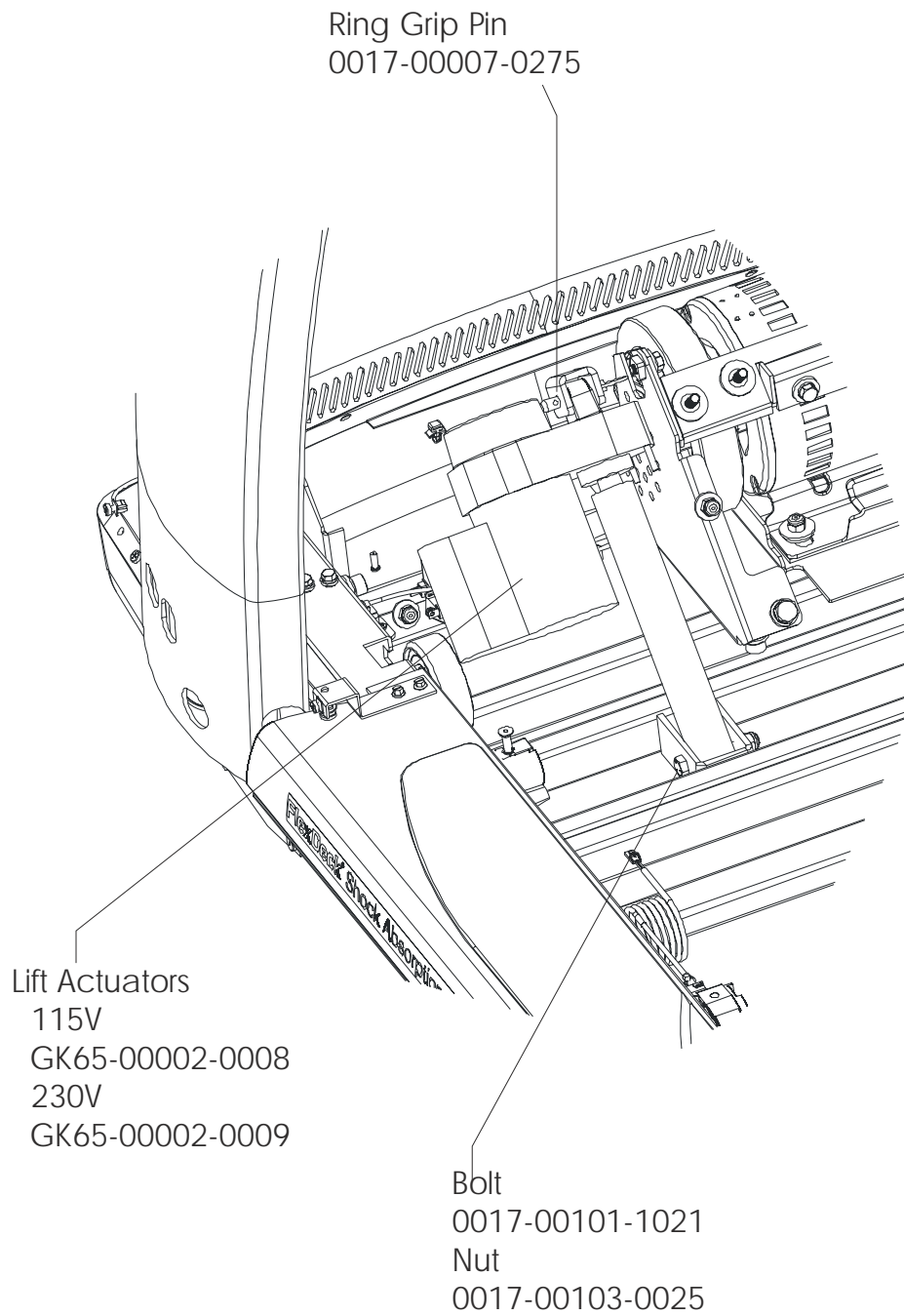


Deck Springs
(4 on each side)
OK40-01026-0002
Spring Mounting Screw
0017-00101-1652
Flat Washer
0017-00104-0072

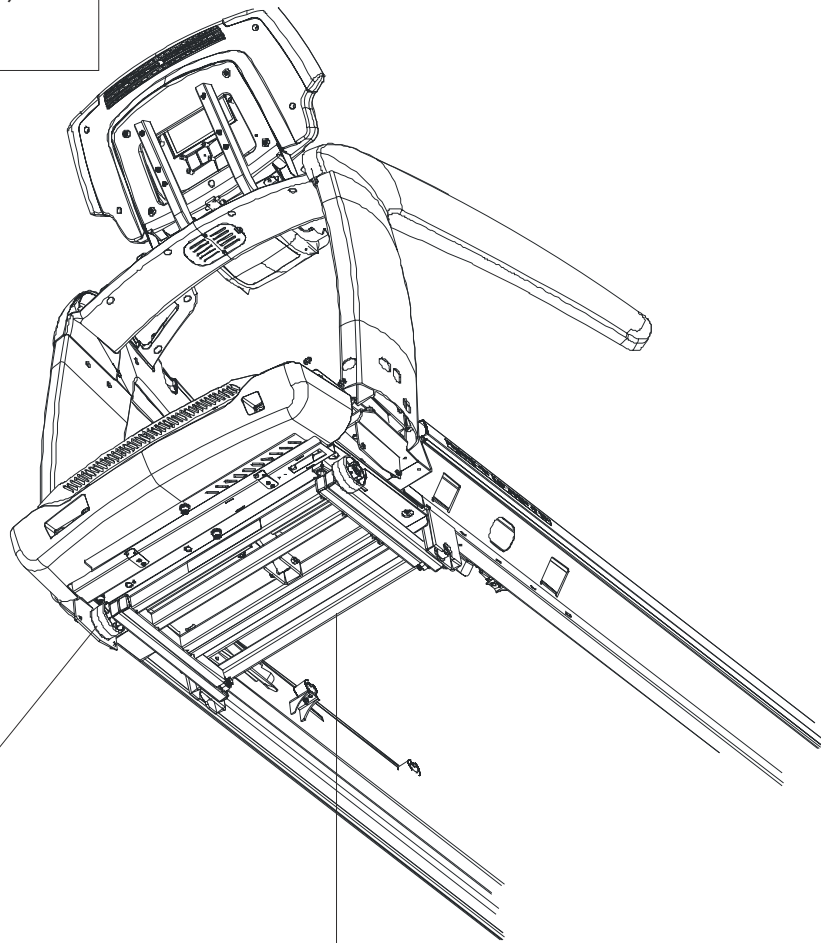


Toe Guard
Toe Guard
Mounting Hardware
AK65-00080-0000
Bolts (2)
0017-00101-1967
Washers (2)
0017-00104-0004
Nuts (4)
0017-00103-0333
Washers (2)
0017-00104-0469

Roller Guard Kit
GK65-00002-0001
(includes right and left roller
guards, grommets, and screws)

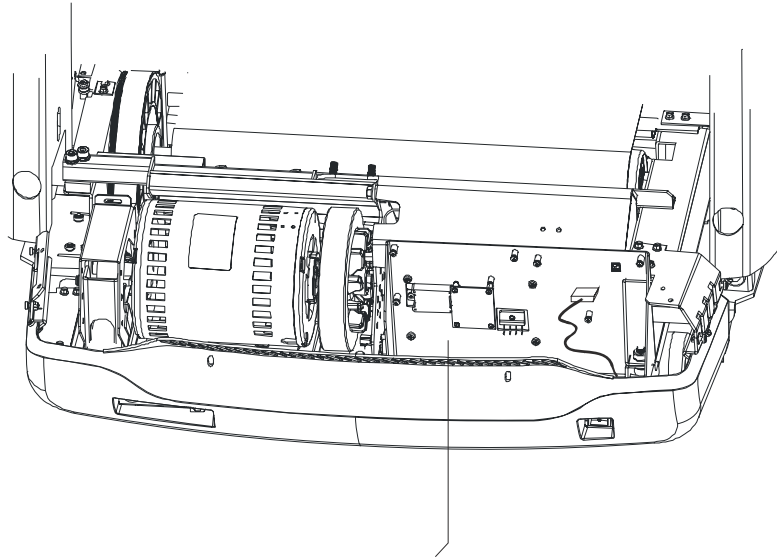


Lift Frame Assembly
(includes lift frame, wheels,
e-rings, and end caps)
AK65-00035-0000

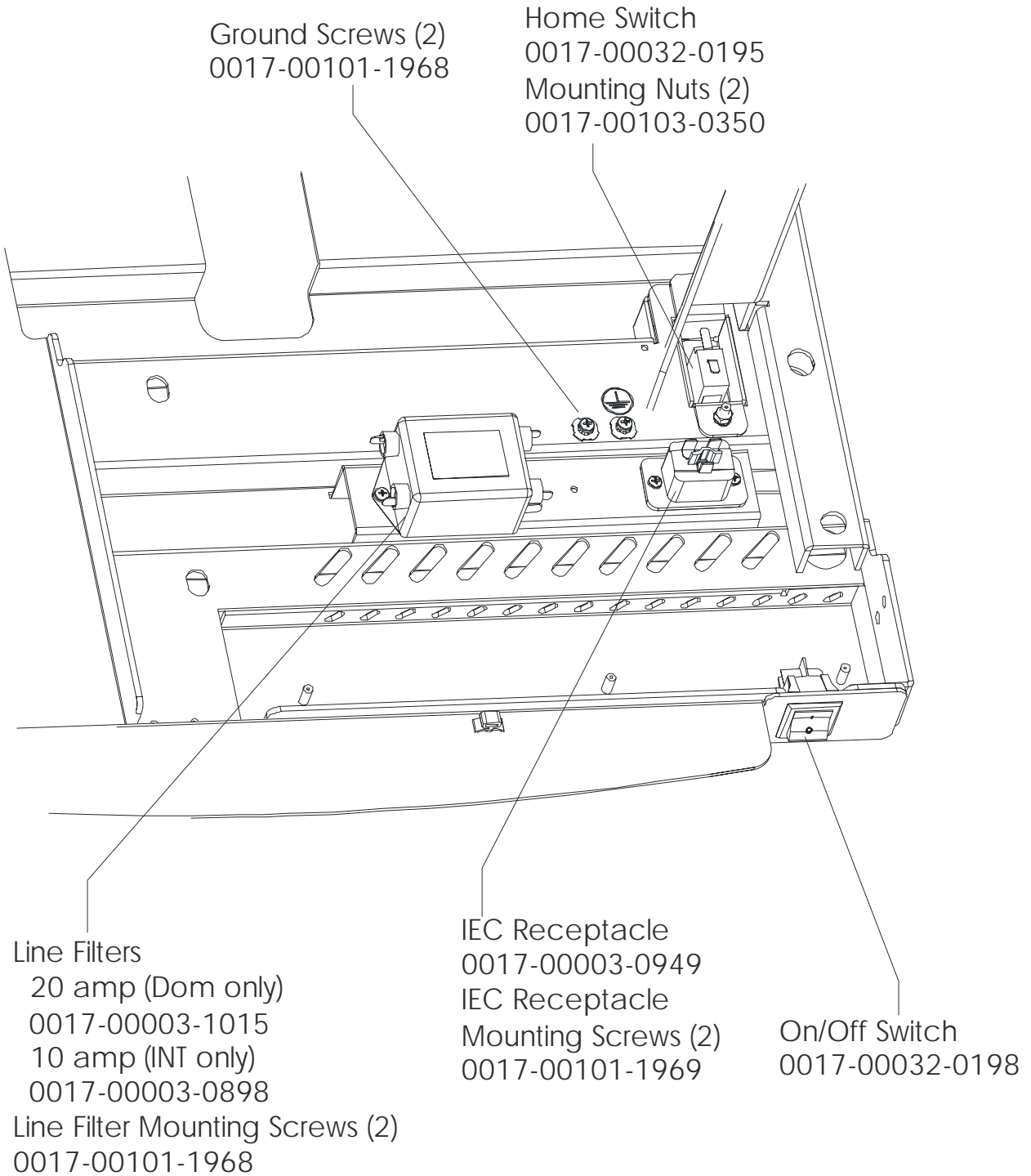


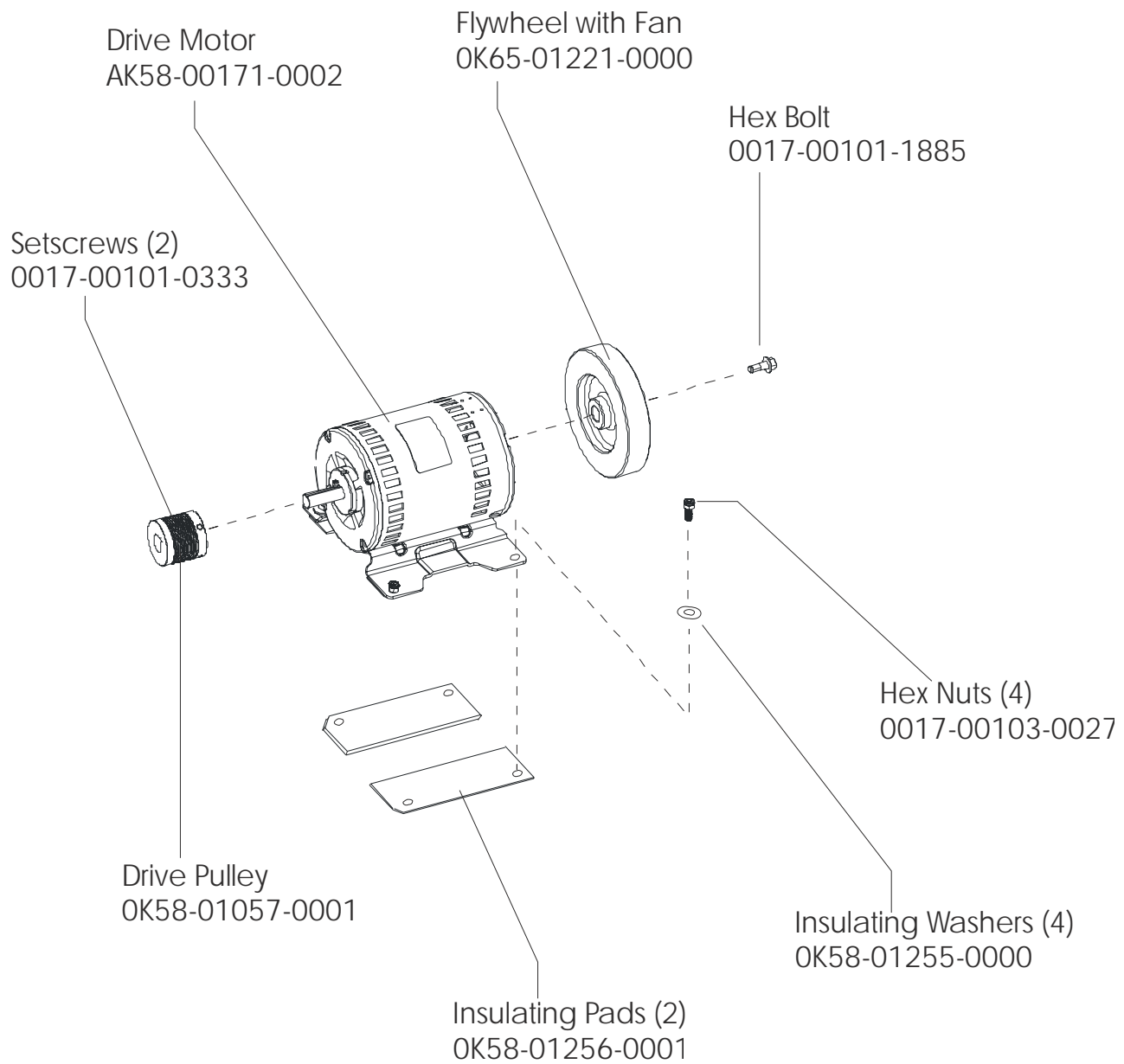
Tube End Caps (8)
OK60-01092-0000
Lift Wheels (2)
OK65-01245-0000
E-Rings (2)
0017-00100-0249

Painted Lift Frame Weldment
AK65-00089-0001
Lift Frame Mounting Bolts (2)
0017-00101-1964
Lift Frame Mounting Nuts (2)
0017-00103-0349
Washers (2)
0017-00104-0259
Sleeve Bushings (2)
OK65-01242-0000

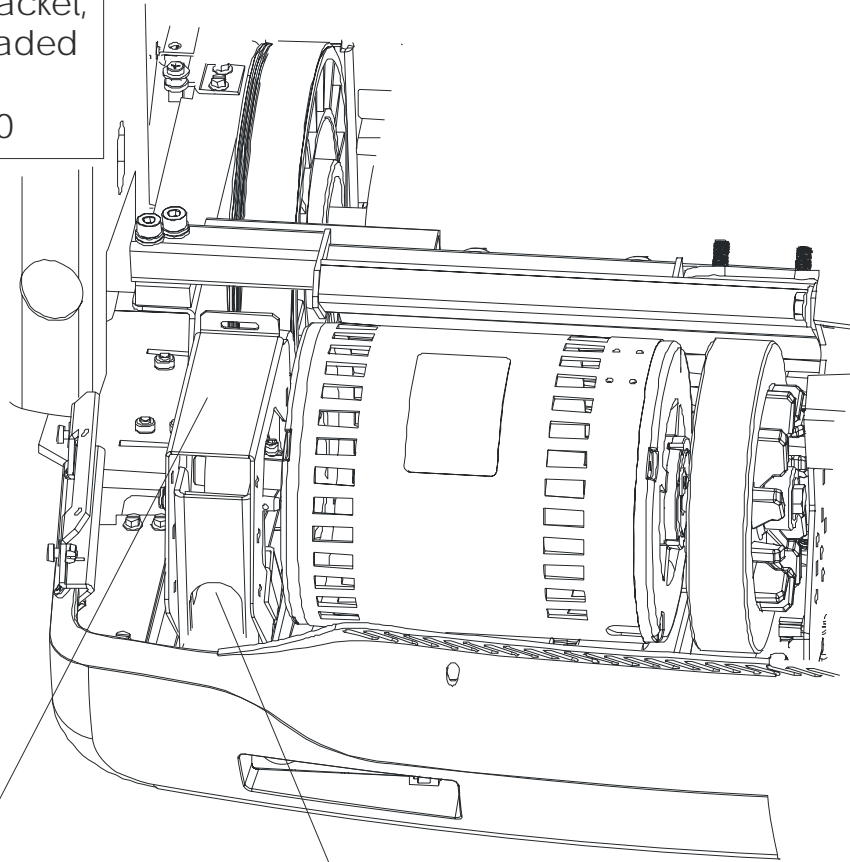


DSP Motor Controller with Cable
GK65-00002-0015 100-120V
GK65-00002-0016 200-240V
Hex Nuts (3)
0017-00103-0350





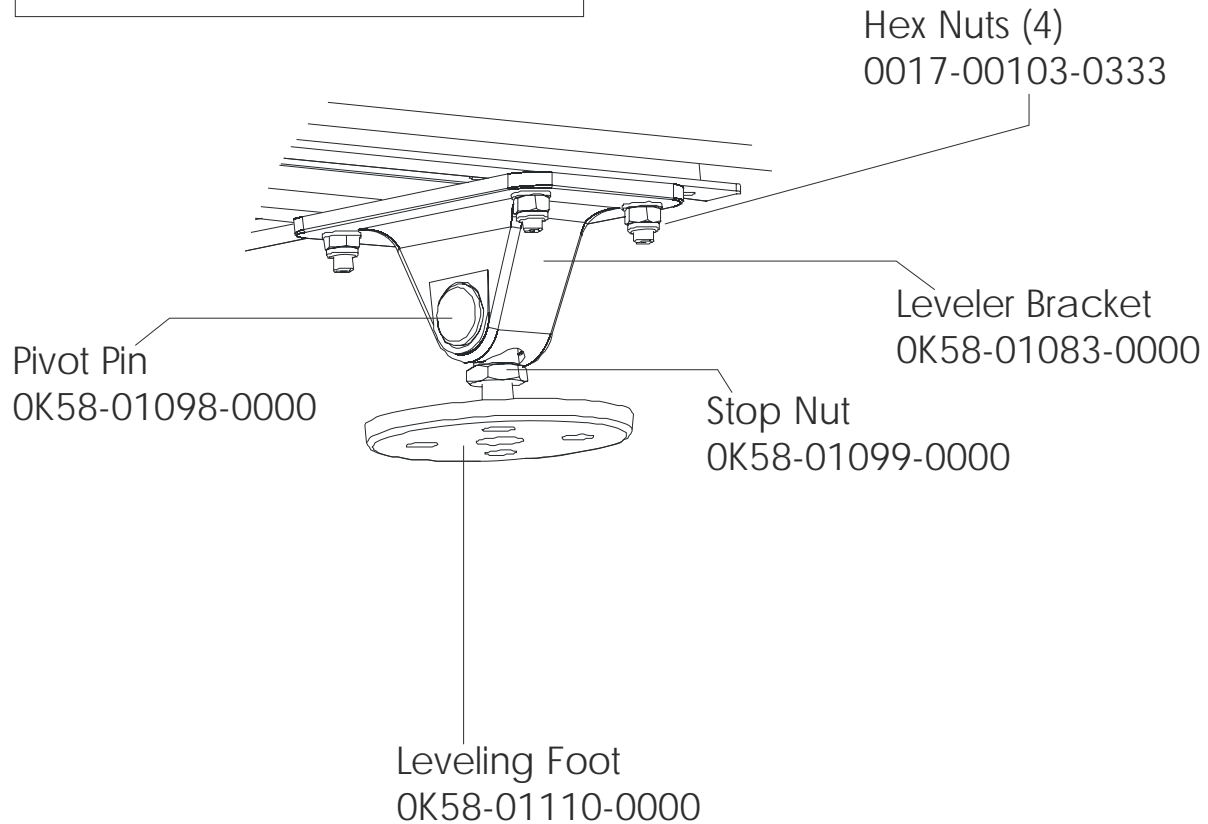
Idler Assembly
(includes idler bracket,
plastic idler, threaded
shaft, and nut)
AK65-00029-0000



Idler Bracket
OK65-01113-0000
Plastic Idler
OK26-01731-0000
Threaded Shaft
OK58-01084-0002
Nut
0017-00103-0324
Locking Pin
0017-00007-0248
Mounting Nuts (4)
0017-00103-0333

Extension Spring
OK58-01085-0000
Spring Damper
OK26-02055-0000

Leg Leveler Assembly
(includes leveler bracket, pivot
pin, stop nut, and leveling foot)
AK58-00370-0000



AK26-00348-0000 - Qty. 2 - Green and yellow ground wire with spade lug on one end and ring terminal on the other. One goes from the IEC connector to the frame and the other from the line filter to the frame.

AK32-00160-0000 - Qty. 1 - External Power cable with ferrite.

AK65-00062-0000 - Qty. 1 - RG6 Coax cable 75"

AK58-00034-0001 - Qty. 1 - Main Power cable from DSP to Console

AK58-00224-0001 - Qty. 1 - Mov Filter cable has a two pin connector on one end and a terminal on the end of one green wire and two spade lugs at the end of a varistor spliced to the other green wire.

AK58-00263-0000 - Qty. 1 - Hi-Pot Jumper cable is a two pin connector with a green wire looped between both pins.

AK65-00043-0001 - Qty. 1 - Cable from MIB in console to Activity Zone

AK65-00047-0000 - Qty. 1 - Heart Rate Ergo Bar cable

AK65-00051-0000 - Qty. 1 - 20" C-Safe cable. From splitter to console.

AK65-00051-0001 - Qty. 1 - 65" C-Safe upright cable. Runs from the base to the splitter in the bridge assembly.

AK65-00073-0000 - Qty. 1 - Cable Assy: Power DSP (Dom. Low Voltage units only)

AK65-00073-0001 - Qty. 1 - Cable Assy: Power DSP; High Voltage (Domestic)

AK65-00073-0002 - Qty. 1 - Cable Assy: Power DSP; High Voltage (International)

AK65-00074-0000 - Qty. 1 - Home switch cable from home switch to Motor Controller.

AK65-00081-0000 - Qty. 1 - AC power cable with an IEC connector on one end and a ring terminal on the Green/Yellow wire and spade lugs on the brown and blue wires.

AK65-00094-0000 - Qty. 1 - Black and white wires with spade lug on each end.
From line filter to IEC connector.

AK65-00095-0000 - Qty. 1 - Line filter to switch cable with a black and white
wire that have spade lugs on one end and
flag type spade lugs on the other.

AK65-00011-0001 - Qty. 1 - Harness assembly 120/60 20A
(Domestic High Voltage units only).....consists of the
following components:

- 1) AK26-00348-0000 Outlet/Gnd Jumper Cable Assy.
- 2) AK58-00224-0001 MOV Filter Cable Assy.
- 3) AK58-00263-0000 Hi Pot Jumper cable Assy.
- 4) AK65-00081-0000 AC Power cable assy.
- 5) AK65-00094-0000 IEC to filter cable assy.
- 6) AK65-00095-0000 Filter to switch cable assy.
- 7) 0017-00003-1015 Line filter 20A

AK65-00011-0004 - Qty. 1 - Harness assembly 120/60 20A
(Domestic Low Voltage units only).....consists of the
following components:

- 1) AK26-00348-0000 Outlet/Gnd Jumper Cable Assy.
- 2) AK58-00224-0001 MOV Filter Cable Assy.
- 3) AK58-00263-0000 Hi Pot Jumper cable Assy.
- 4) AK65-00081-0000 AC Power cable assy.
- 5) AK65-00094-0000 IEC to filter cable assy.
- 6) AK65-00115-0000 Filter/Inductor/Switch cable
assy.
- 7) 0017-00003-1015 Line filter 20A

AK65-00011-0005 - Qty. 1 - Harness assembly 230/50 10A

(International units only)consists of the following components:

- 1) AK26-00348-0000 Outlet/Gnd Jumper Cable Assy.
- 2) AK58-00224-0001 MOV Filter Cable Assy.
- 3) AK58-00263-0000 Hi Pot Jumper cable Assy.
- 4) AK65-00081-0000 AC Power cable assy.
- 5) AK65-00094-0000 IEC to filter cable assy.
- 6) AK65-00116-0000 Filter/Inductor/Switch cable assy.
- 7) 0017-00003-098 Line filter 10A

Free Manuals Download Website

<http://myh66.com>

<http://usermanuals.us>

<http://www.somanuals.com>

<http://www.4manuals.cc>

<http://www.manual-lib.com>

<http://www.404manual.com>

<http://www.luxmanual.com>

<http://aubethermostatmanual.com>

Golf course search by state

<http://golfingnear.com>

Email search by domain

<http://emailbydomain.com>

Auto manuals search

<http://auto.somanuals.com>

TV manuals search

<http://tv.somanuals.com>