

LifeFitness

Arctic Silver T3.5 Treadmill



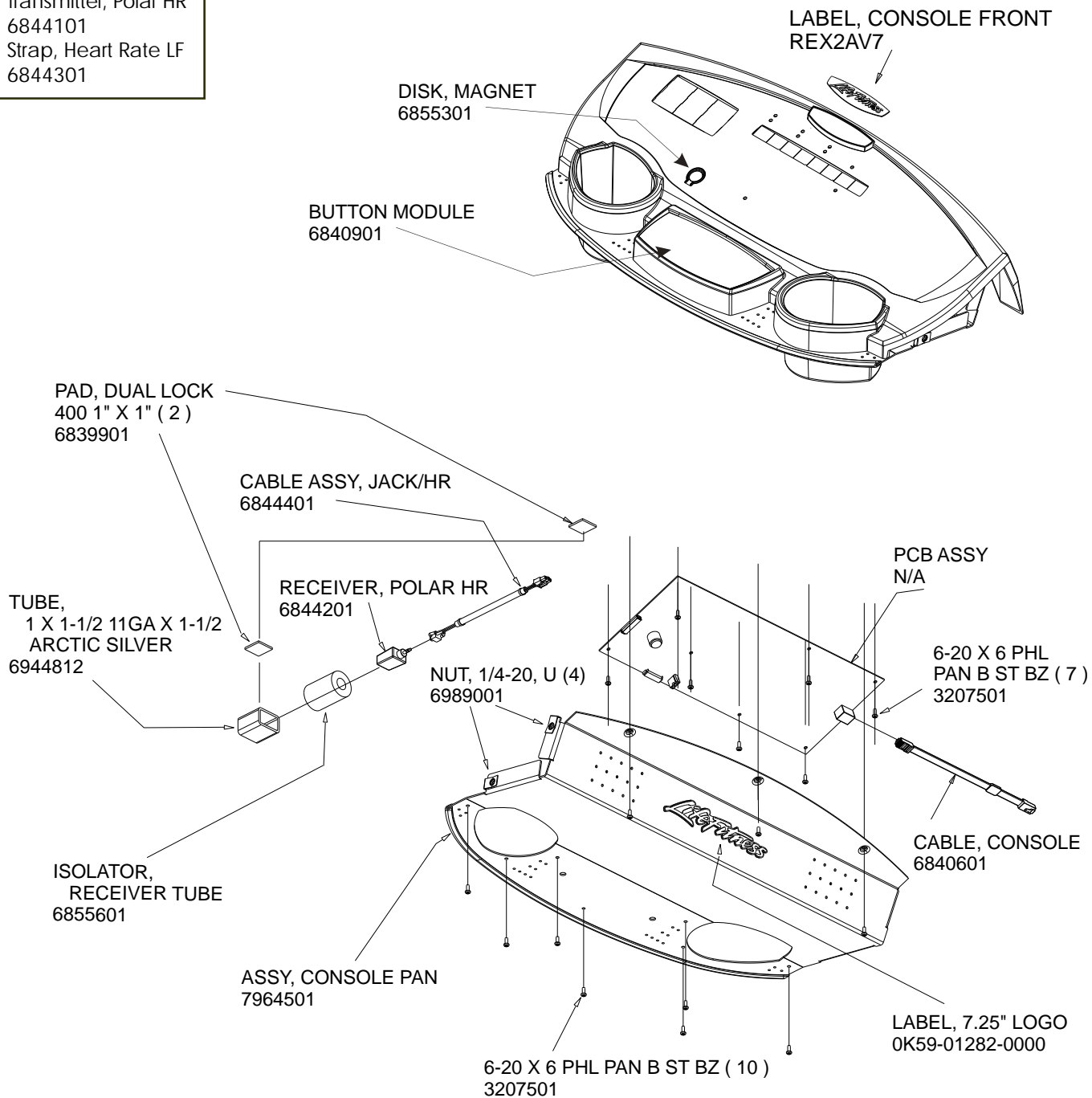
Customer Support Services ***PARTS MANUAL*** rev 03 Mar 2008

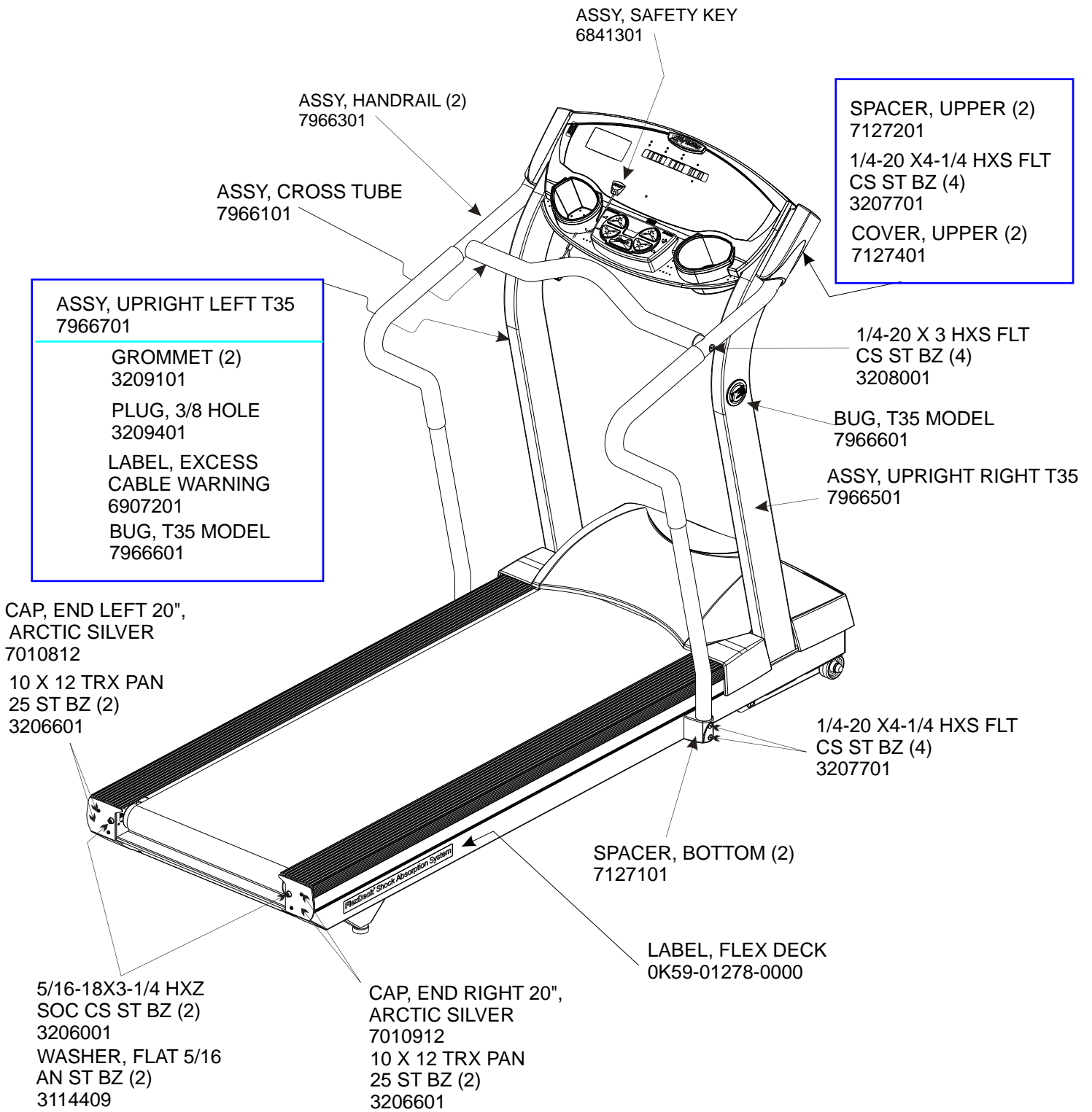


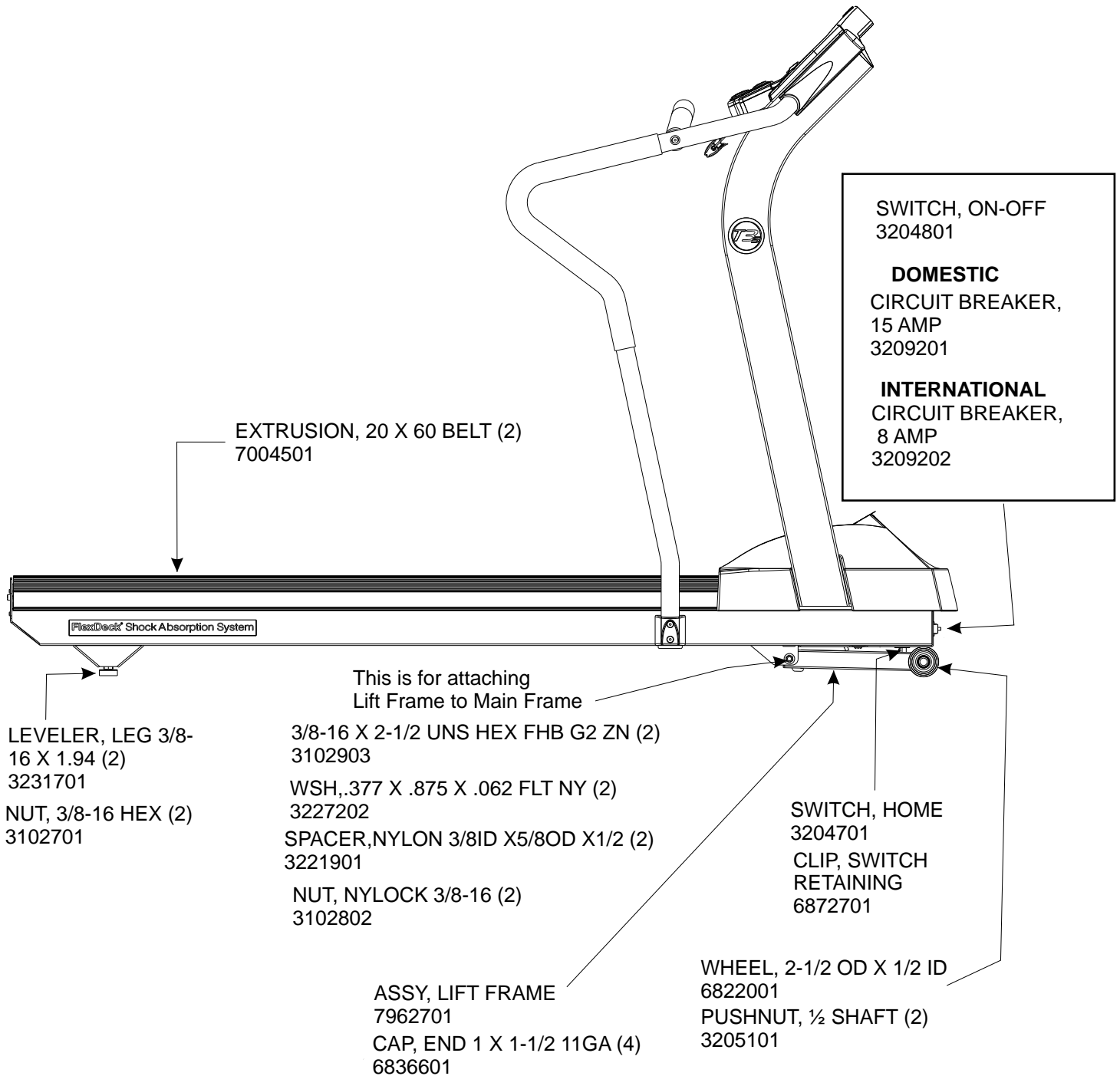
MODEL #	MODEL DESCRIPTION	PART #	CONSOLE ASSEMBLY
T35-0000-01	T35 TREADMILL ENG/ENG 120/60 DOM	7967001	ASSY, CONSOLE ENG/ENG T35
T35-0101-01	T35 TREADMILL.ENG/MET.230/50.CONT	8002801	ASSY, CONSOLE ENG-MET T35
T35-0102-01	T35 TREADMILL.ENG/MET.230/50.UK	8002801	ASSY, CONSOLE ENG-MET T35
T35-0104-01	T35 TREADMILL.ENG/MET.240.AUST	8002801	ASSY, CONSOLE ENG-MET T35
T35-0201-01	T35 TREADMILL.GER/MET.230/50.CONT	7997701	ASSY, CONSOLE GER/MET T35

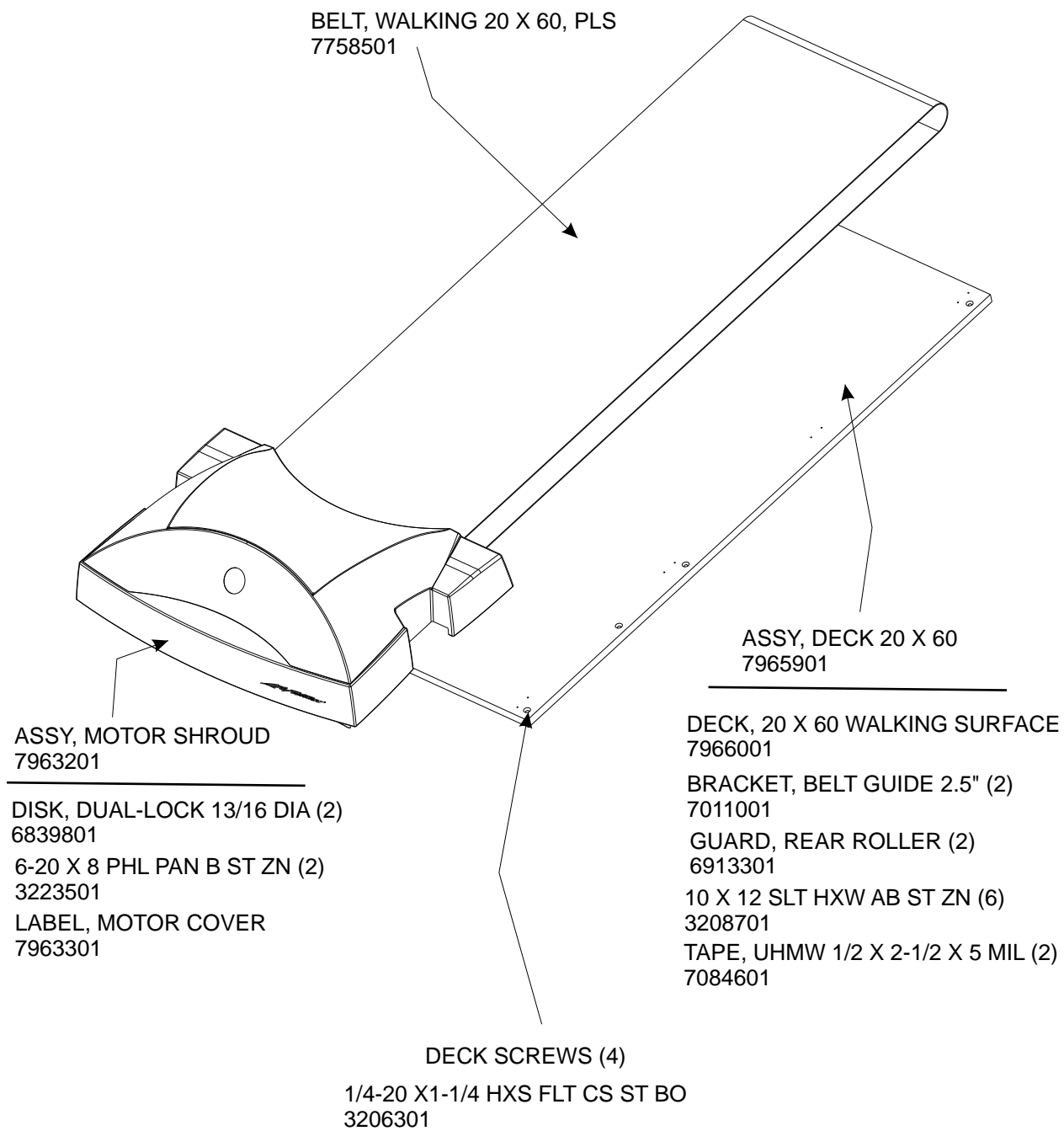
MODEL #	MODEL DESCRIPTION	PART #	OVERLAY/BEZEL ASSEMBLY
T35-0000-01	T35 TREADMILL ENG/ENG 120/60 DOM	8024101	SER. KIT, T3.5 BEZEL ASSY ENG & MET
T35-0101-01	T35 TREADMILL.ENG/MET.230/50.CONT	8024101	SER. KIT, T3.5 BEZEL ASSY ENG & MET
T35-0102-01	T35 TREADMILL.ENG/MET.230/50.UK	8024101	SER. KIT, T3.5 BEZEL ASSY ENG & MET
T35-0104-01	T35 TREADMILL.ENG/MET.240.AUST	8024101	SER. KIT, T3.5 BEZEL ASSY ENG & MET
T35-0201-01	T35 TREADMILL.GER/MET.230/50.CONT	8024201	SER. KIT, T3.5 BEZEL ASSY GER/MET

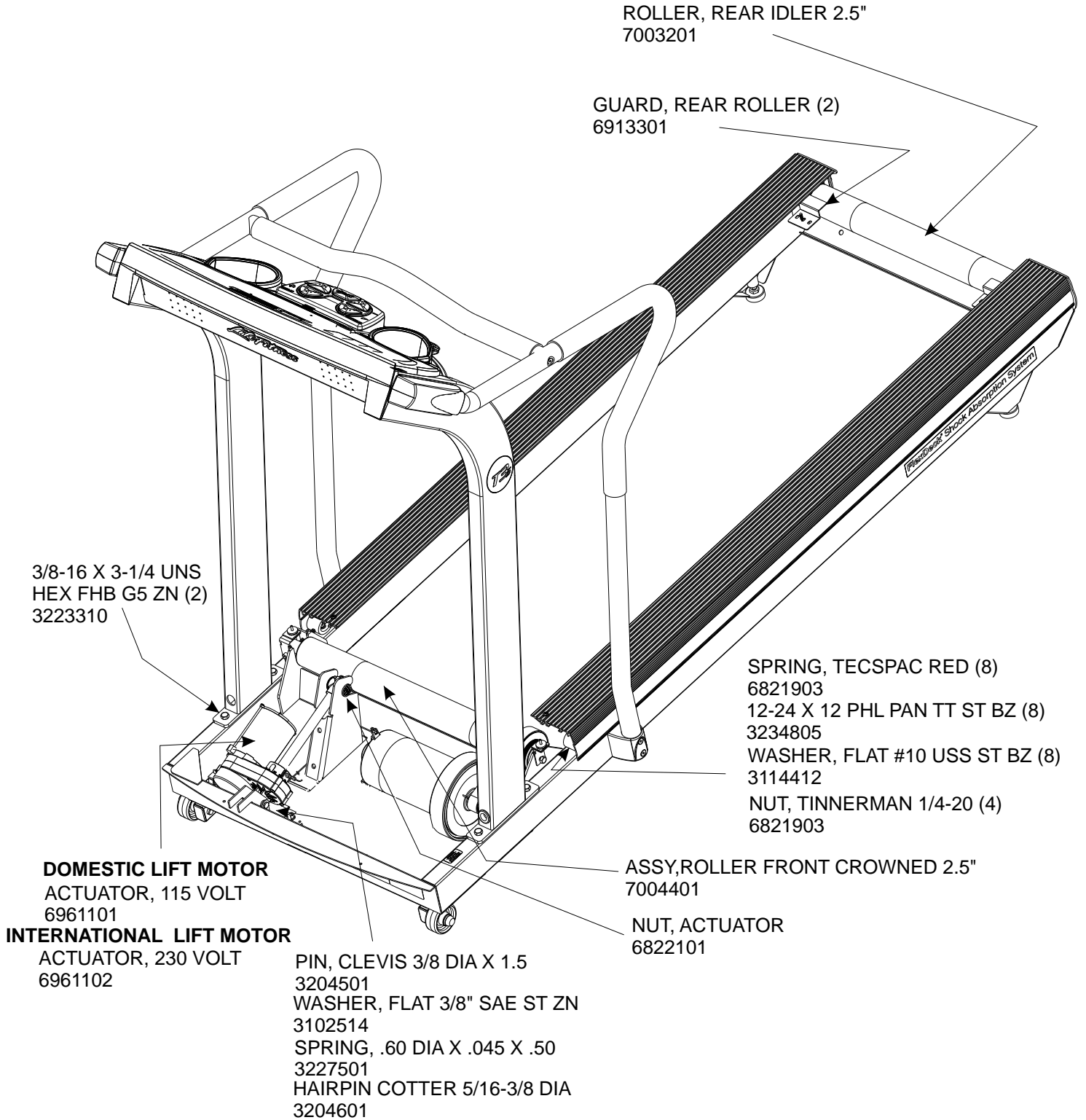
Transmitter, Polar HR
6844101
Strap, Heart Rate LF
6844301

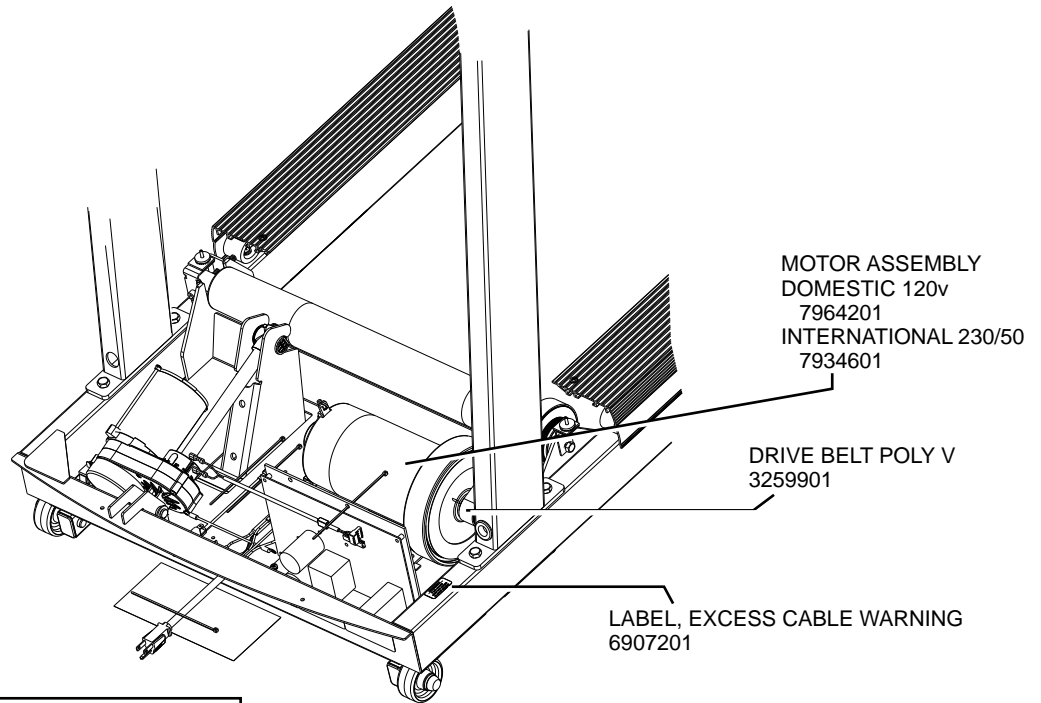












LOW VOLTAGE MOTOR CONTROLLER
SERVICE KIT, T3.0/T3.5 MTR CNTL PROG
8023701

HIGH VOLTAGE MOTOR CONTROLLER
S-KIT, MOTOR CONTROL V13.0 230V MOTOR W/INDUCTOR
8171601

MODEL #	T35-0000-01	T35-0101-01	T35-0102-01	T35-0104-01	T35-0201-01
MODEL DESCRIPTION	T35 TREADMILL ENG/ENG 120/60 DOM	T35 TREADMILL ENG/MET 230/50 CONT	T35 TREADMILL ENG/MET 230/50 UK	T35 TREADMILL ENG/MET 240 AUST	T35 TREADMILL GER/MET.230/50 CONT
LINE-CORD	7420601				
LINE CORD, CONT		7420801			7420801
LINE CORD, UK			7420901		
LINECORD, AUSTRALIA				7802901	
BUSHING, STRAIN RELIEF	3206901	3206901	3206901	3206901	3206901
LABEL, LINECORD VOLT FRN/ENG	6856001	6856001	6856001	6856001	6856001
CABLE TIE, 3/32 X 6	3221201	3221201	3221201	3221201	3221201
SERVICE KIT, T3.0/T3.5 MTR CNTL PROG	8023701				
SERVICE KIT, T3.0/T3.5 MTR CNTL EU		8023801	8023801	8023801	8023801
CABLE ASSY, CIRCUIT BREAKER	6856701	6856701	6856701	6856701	6856701
CABLE ASSY, HOME SWITCH	6836101	6836101	6836101	6836101	6836101
CABLE ASSY, JACK/HR	6844401	6844401	6844401	6844401	6844401
S-KIT, OPTO SENSOR & CABLE	7059001				
CABLE ASSY, PWR CONTROL	6840001	6840001	6840001	6840001	6840001
CABLE, CONSOLE	6840601	6840601	6840601	6840601	6840601
FILTER, LINE 10A		3226101	3226101	3226101	3226101
CABLE ASSY, FILTER TO PCB		6960301	6960301	6960301	6960301
CABLE ASSY, LINE FILTER		6960201	6960201	6960201	6960201

ARCTIC SILVER T3.5

T3.5-0XXX-01

MODEL #	T35-0000-01	T35-0101-01	T35-0102-01	T35-0104-01	T35-0201-01
MODEL DESCRIPTION	T35 TREADMILL ENG/ENG 120/60 DOM	T35 TREADMILL ENG/MET 230/50 CONT	T35 TREADMILL ENG/MET 230/50 UK	T35 TREADMILL ENG/MET 240 AUST	T35 TREADMILL GER/MET.230/50 CONT
MANUAL, INSTALLATION INST T35 ENG	7965601	7965601	7965601	7965601	
MANUAL, INSTALLATION T3 GER					7986101
MANUAL, OPERATION T3/T35	7965201	7965201	7965201	7965201	
MANUAL, OPERATION T3/T35 GER					7986001
MANUAL, SERVICE T3/T35	N/A	N/A	N/A	N/A	N/A
UNPACKING INST, TREADMILLS	7225801	7225801	7225801	7225801	7225801
CARD, PRODUCT REGISTRATION	7913801	7913801	7913801	7913801	7913801
LABEL, 7.25" LOGO	0K59-01282-0000	0K59-01282-0000	0K59-01282-0000	0K59-01282-0000	0K59-01282-0000
LABEL, BREAK-IN INSTR	6980301	6980301	6980301	6980301	6980301
LABEL, CE		0K59-01330-0000	0K59-01330-0000	0K59-01330-0000	0K59-01330-0000
LABEL, ETL UL/CSA LISTING	6856101				
LABEL, CONSOLE FRONT	REX2AV7	REX2AV7	REX2AV7	REX2AV7	REX2AV7
LABEL, EXCESS CABLE WARNING	6907201	6907201	6907201	6907201	6907201
LABEL, FLEX DECK	0K59-01278-0000	0K59-01278-0000	0K59-01278-0000	0K59-01278-0000	0K59-01278-0000
LABEL, GROUND		6960701	6960701	6960701	6960701
LABEL, LINECORD VOLT FRN/ENG	6856001	6856001	6856001	6856001	6856001
LABEL, MOTOR COVER	7963301	7963301	7963301	7963301	7963301
LABEL, PATENT	0K59-01328-0000	0K59-01328-0000	0K59-01328-0000	0K59-01328-0000	0K59-01328-0000
LABEL, TUV		7248501	7248501	7248501	7248501

INSIDE OF 7028101 - HDWE ASSY, BAG 1/2 T35I				
Item	Description	Qty	UOM	Item Seq
3221101	WRENCH, 5/32 HEX LONG ARM	1	EA	1
3208101	WRENCH, 1/4 HEX LONG ARM	1	EA	2
3208001	1/4-20 X 3 HXS FLT CS ST BZ	2	EA	3
3207701	1/4-20 X4-1/4 HXS FLT CS ST BZ	8	EA	4
3207501	6-20 X 6 PHL PAN B ST BZ	2	EA	5
3223310	3/8-16 X 3-1/4 UNS HEX FHB G5 ZN	4	EA	7

INSIDE OF 7028201 - HDWE ASSY, BAG 2/2 T35				
Item	Description	Qty	UOM	Item Seq
7127401	COVER, UPPER	2	EA	1
7127201	SPACER, UPPER	2	EA	2
7127101	SPACER, BOTTOM	2	EA	3
6841301	ASSY, SAFETY KEY	1	EA	4

Free Manuals Download Website

<http://myh66.com>

<http://usermanuals.us>

<http://www.somanuals.com>

<http://www.4manuals.cc>

<http://www.manual-lib.com>

<http://www.404manual.com>

<http://www.luxmanual.com>

<http://aubethermostatmanual.com>

Golf course search by state

<http://golfingnear.com>

Email search by domain

<http://emailbydomain.com>

Auto manuals search

<http://auto.somanuals.com>

TV manuals search

<http://tv.somanuals.com>