

Life Fitness Model T3 / T3i , T5 / T5i and T7i Treadmills

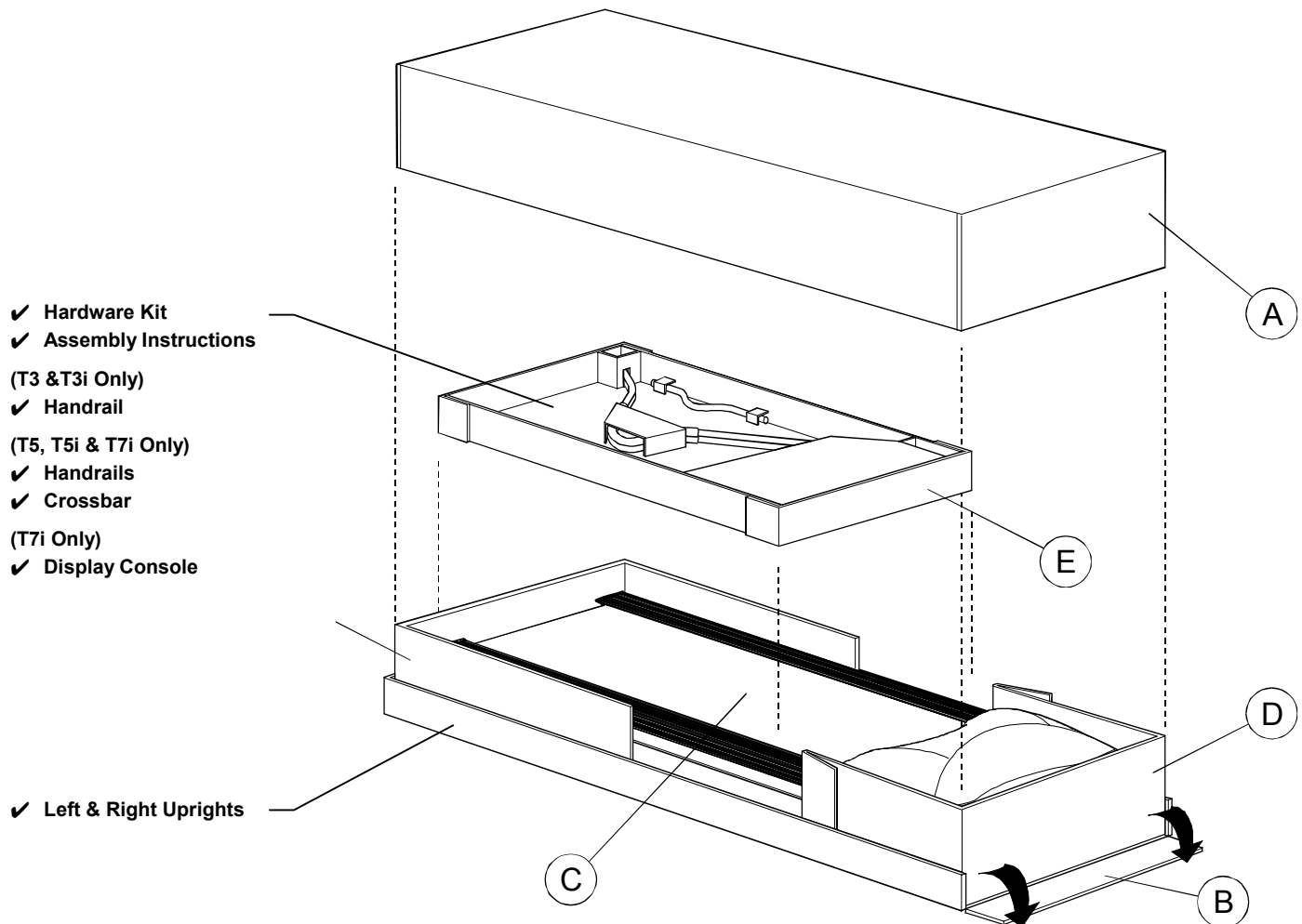
UNPACKING INSTRUCTIONS

1. Remove all banding from the corrugated shipping container. Carefully lift the shipping container sleeve (A) up and off of the base tray (B) and over the treadmill (C).
2. Tear or cut the front corners of the base tray (B) and fold down the front flap of the base tray.
3. Lift and remove the front end support (D). Remove the ship kit box (E) from the treadmill deck and set aside. Remove the back end support (F).
4. Remove the plastic wrap from the treadmill.
5. Carefully lift the rear of the treadmill and slowly roll the unit forward off of the base tray.

NOTE: BE SURE NOT TO DAMAGE THE LINE CORD WHEN MOVING THE TREADMILL OFF OF THE BASE TRAY.

NOTE: THE TREADMILL UPRIGHTS ARE LOCATED BENEATH THE TREADMILL. BE SURE NOT TO DAMAGE THE UPRIGHTS WHEN MOVING THE TREADMILL OFF OF THE BASE TRAY.

6. Follow the Assembly Instructions included in the parts bag to complete the assembly of your treadmill.



IMPORTANT
SAVE YOUR PACKING MATERIALS IN CASE OF RETURN

Free Manuals Download Website

<http://myh66.com>

<http://usermanuals.us>

<http://www.somanuals.com>

<http://www.4manuals.cc>

<http://www.manual-lib.com>

<http://www.404manual.com>

<http://www.luxmanual.com>

<http://aubethermostatmanual.com>

Golf course search by state

<http://golfingnear.com>

Email search by domain

<http://emailbydomain.com>

Auto manuals search

<http://auto.somanuals.com>

TV manuals search

<http://tv.somanuals.com>