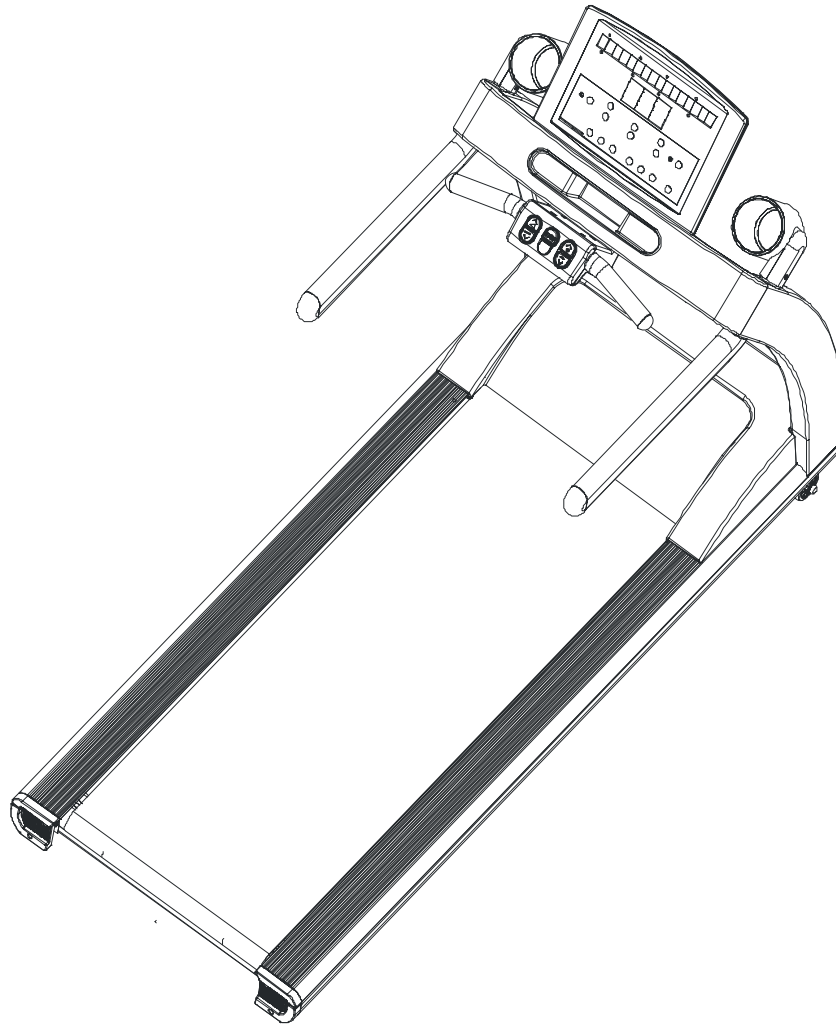


# LifeFitness

T5-0 TREADMILL



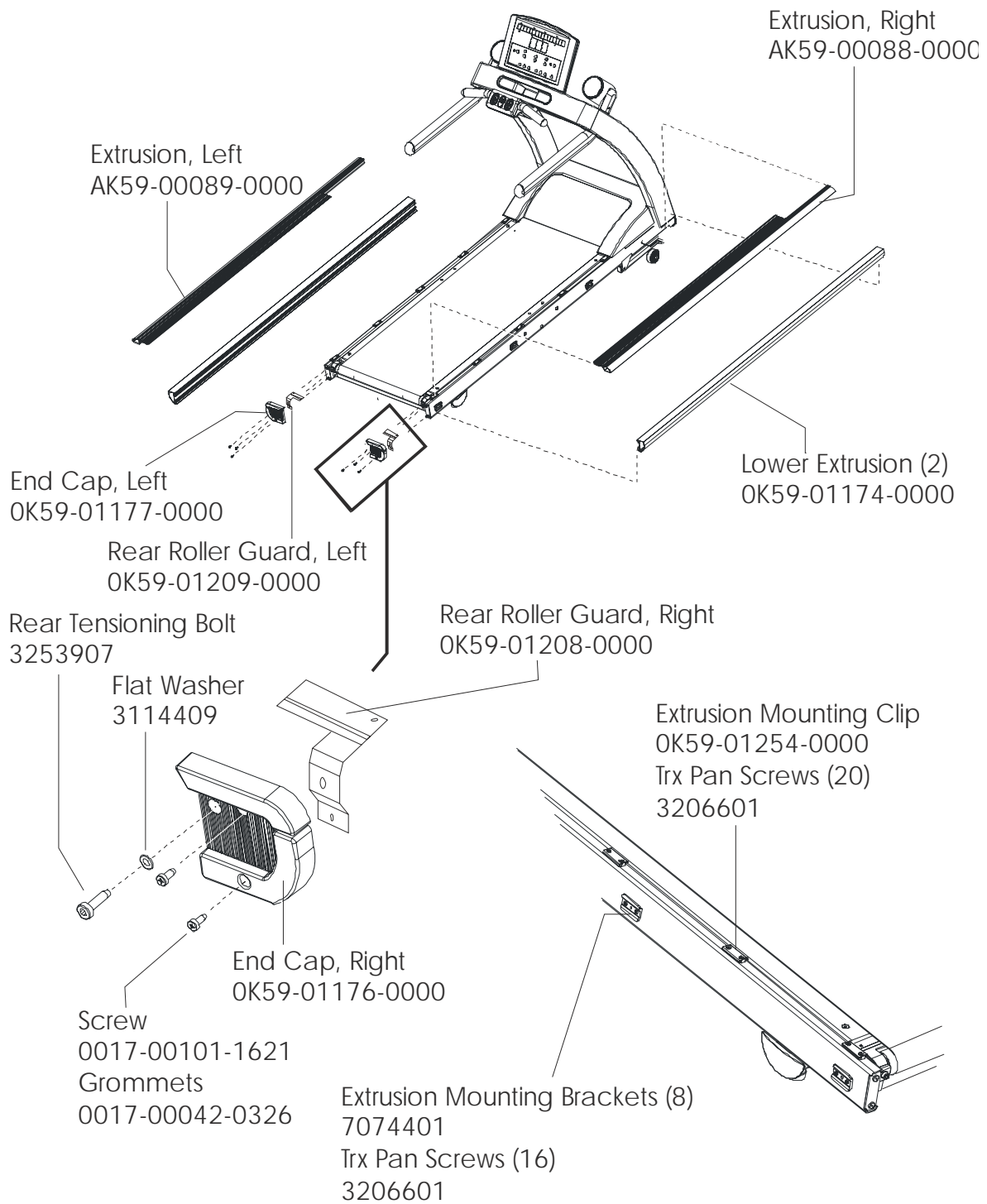
## Customer Support Services PARTS MANUAL

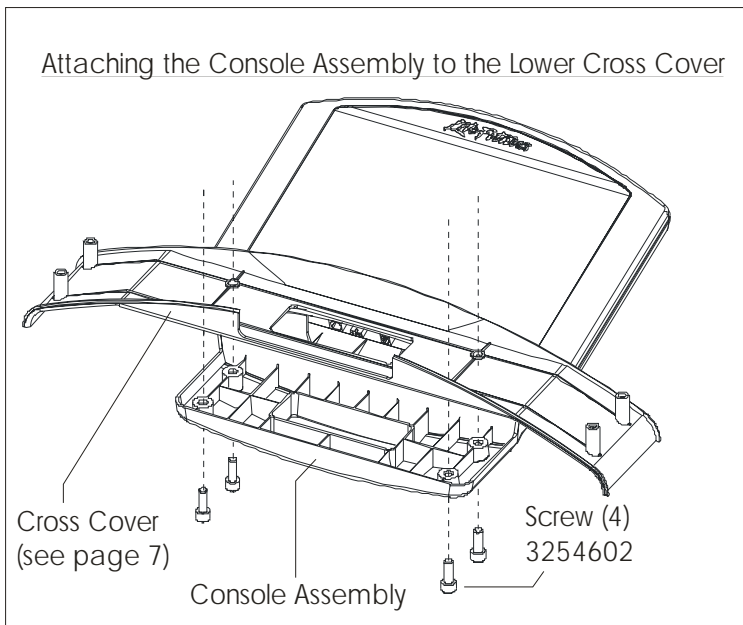
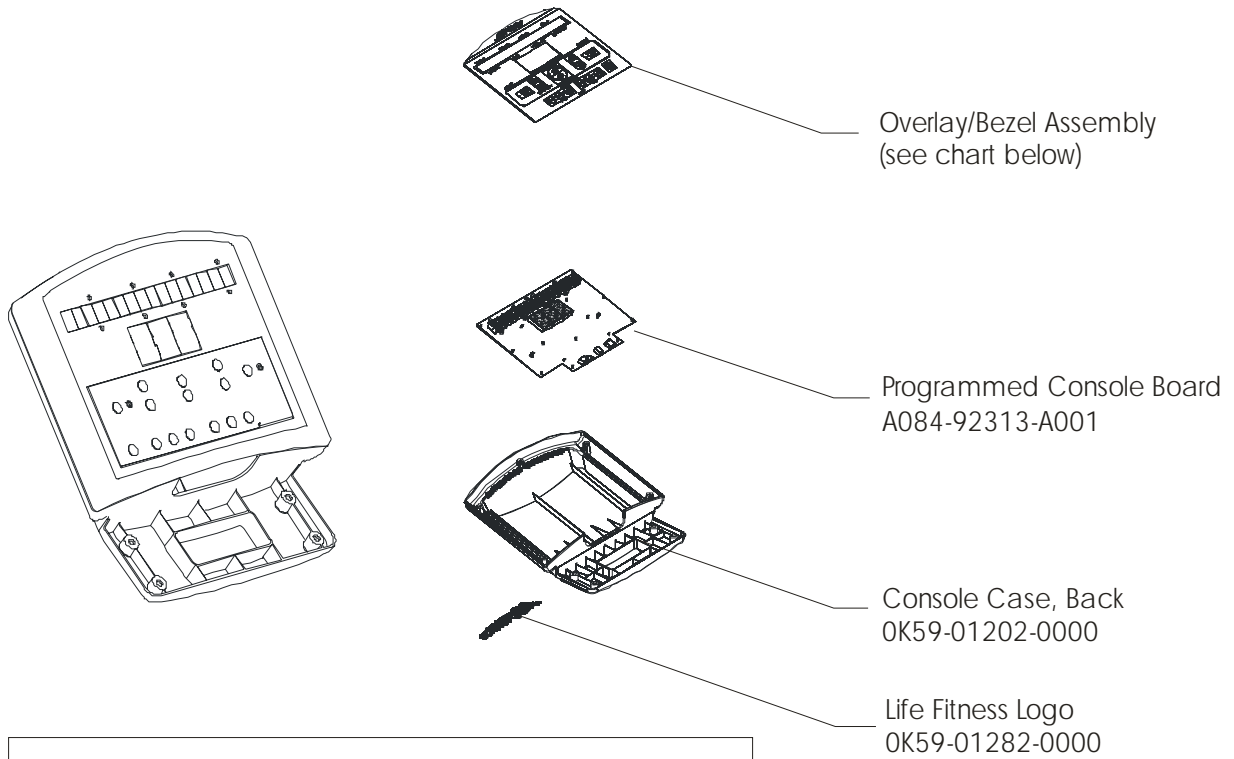
31 Aug 2011

Miscellaneous .....	3
Extrusions and Rear End Caps .....	4
Console and Related Components .....	5
Belt, Deck, and Rear Roller .....	6
Uprights, Handrails, and Cupholders .....	7
Ergo Bar .....	8
Motor Cover, Front End Cap, and Leg Levelers .....	9
Lift Frame and Lift Motor .....	10
Motor Controller Assembly .....	11
Drive Motor Assembly .....	12
Front Roller Assembly .....	13
Block Diagram - Domestic .....	14
Block Diagram - International .....	15

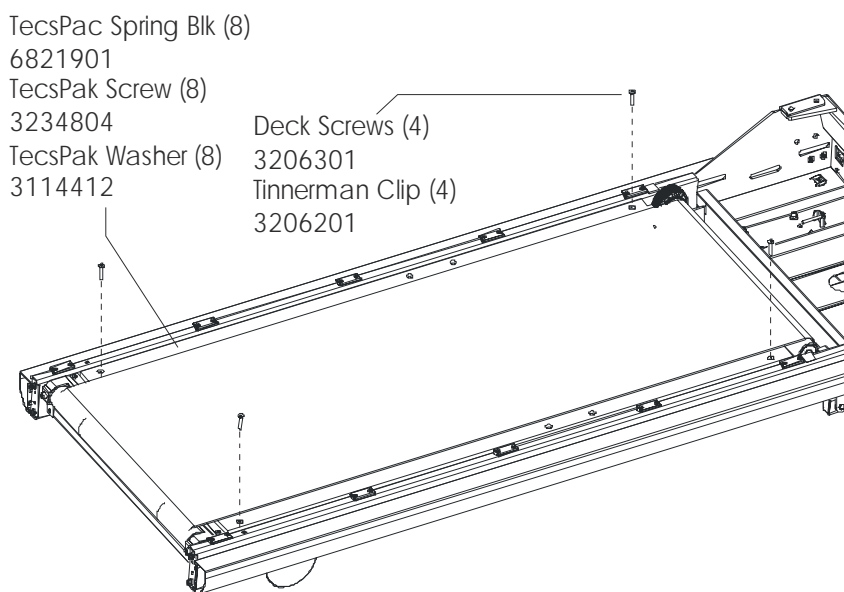
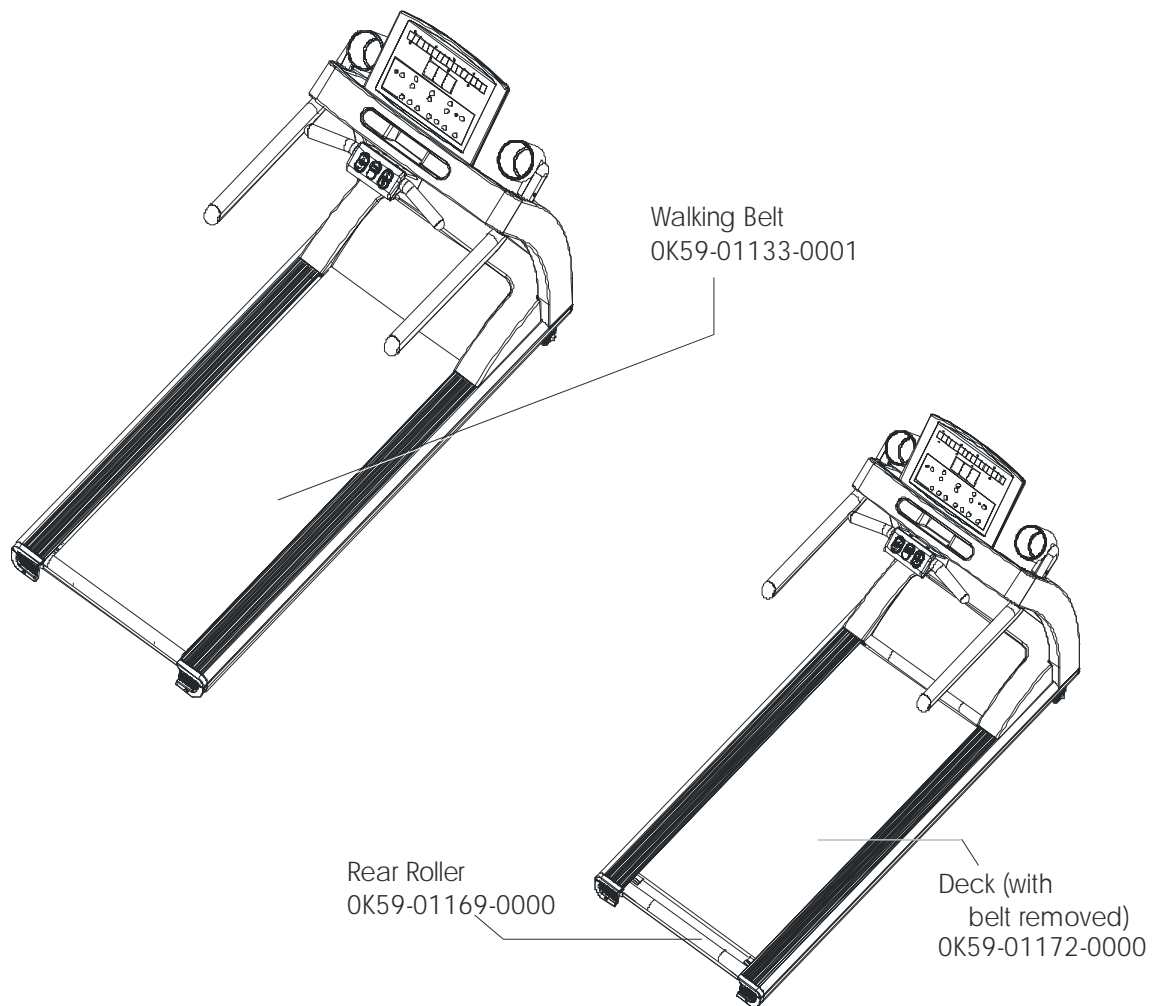
---

Description	Part No.
Hardware Bag T5-0-T7.0	AK59-00090-0000
Document Kit T5-0 Eng	AK59-00110-0000
Document Kit T5-0 Ger	AK59-00110-0002
Transmitter, Polar HR	8254701
Strap, Heart Rate LF	6844301
Wrench, M6, Hex Long Arm	3255701

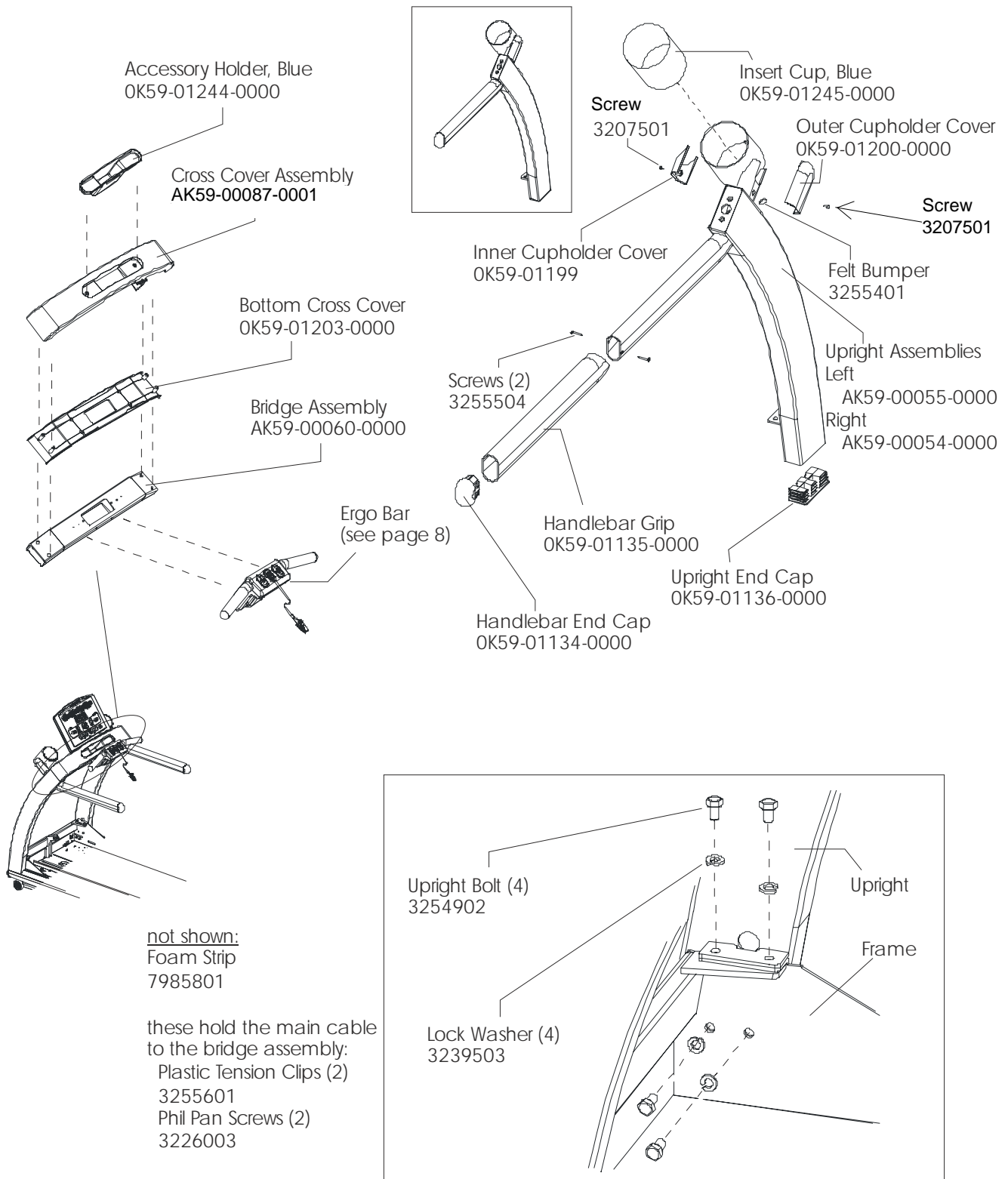


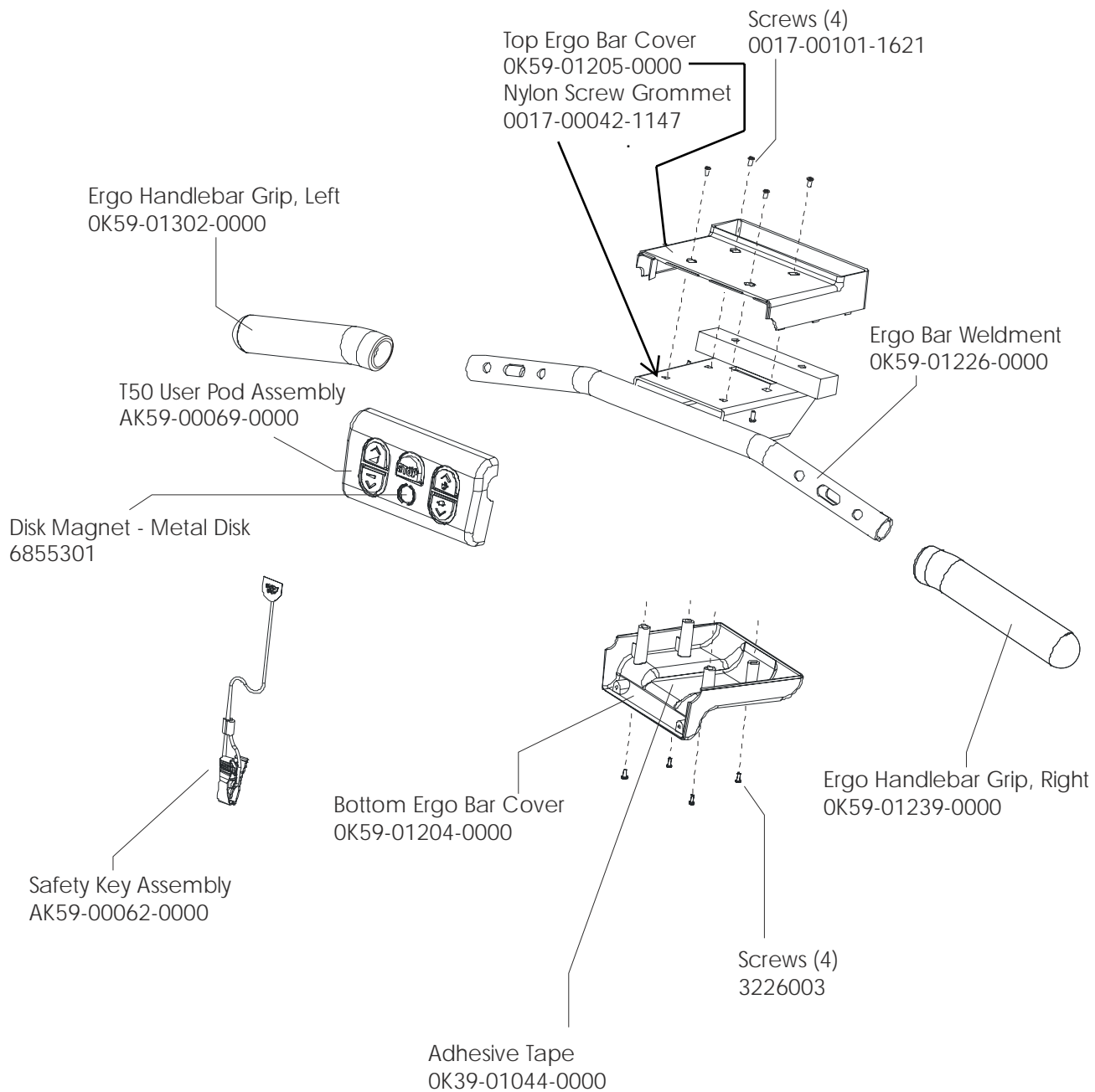


Language	Part Nos.	
	Console Assembly	Overlay/Bezel Assembly
ENG/ENG	AK59-00061-0000	AK59-00114-0000
GER/MET	AK59-00061-0002	AK59-00115-0000



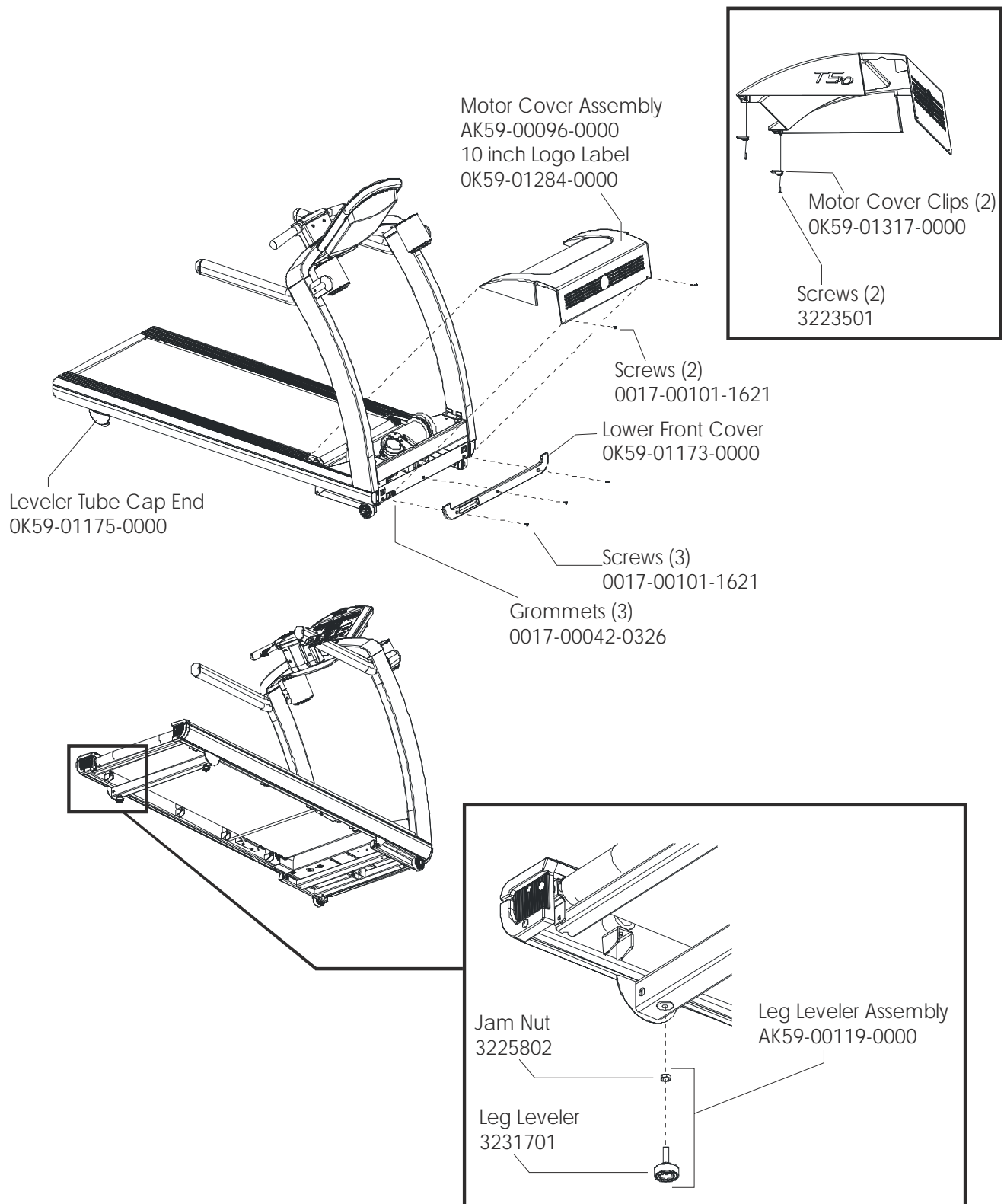
Uprights, Handrails, and Cup Holders

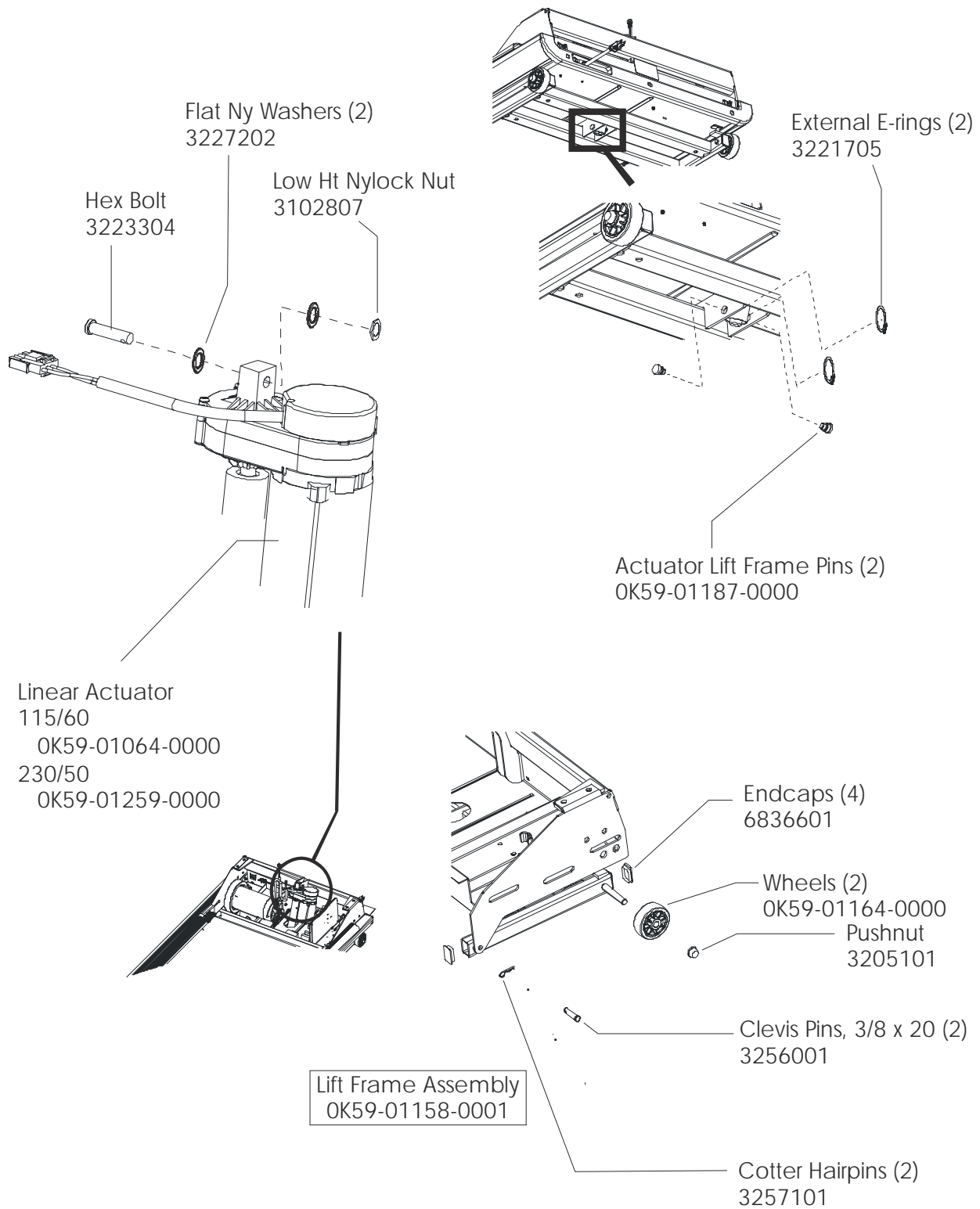




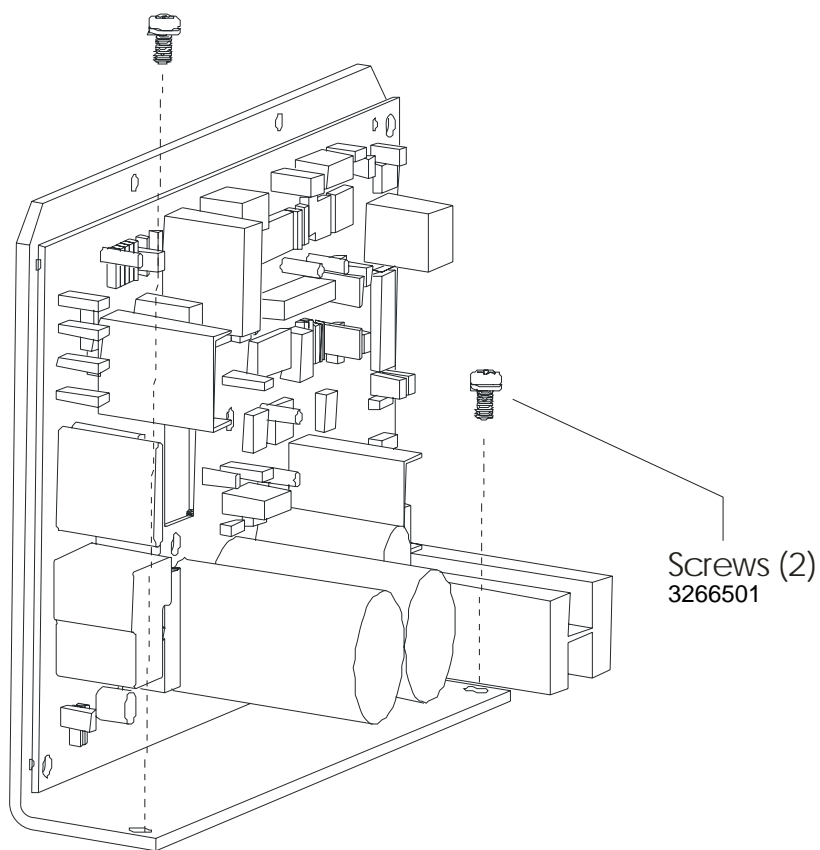


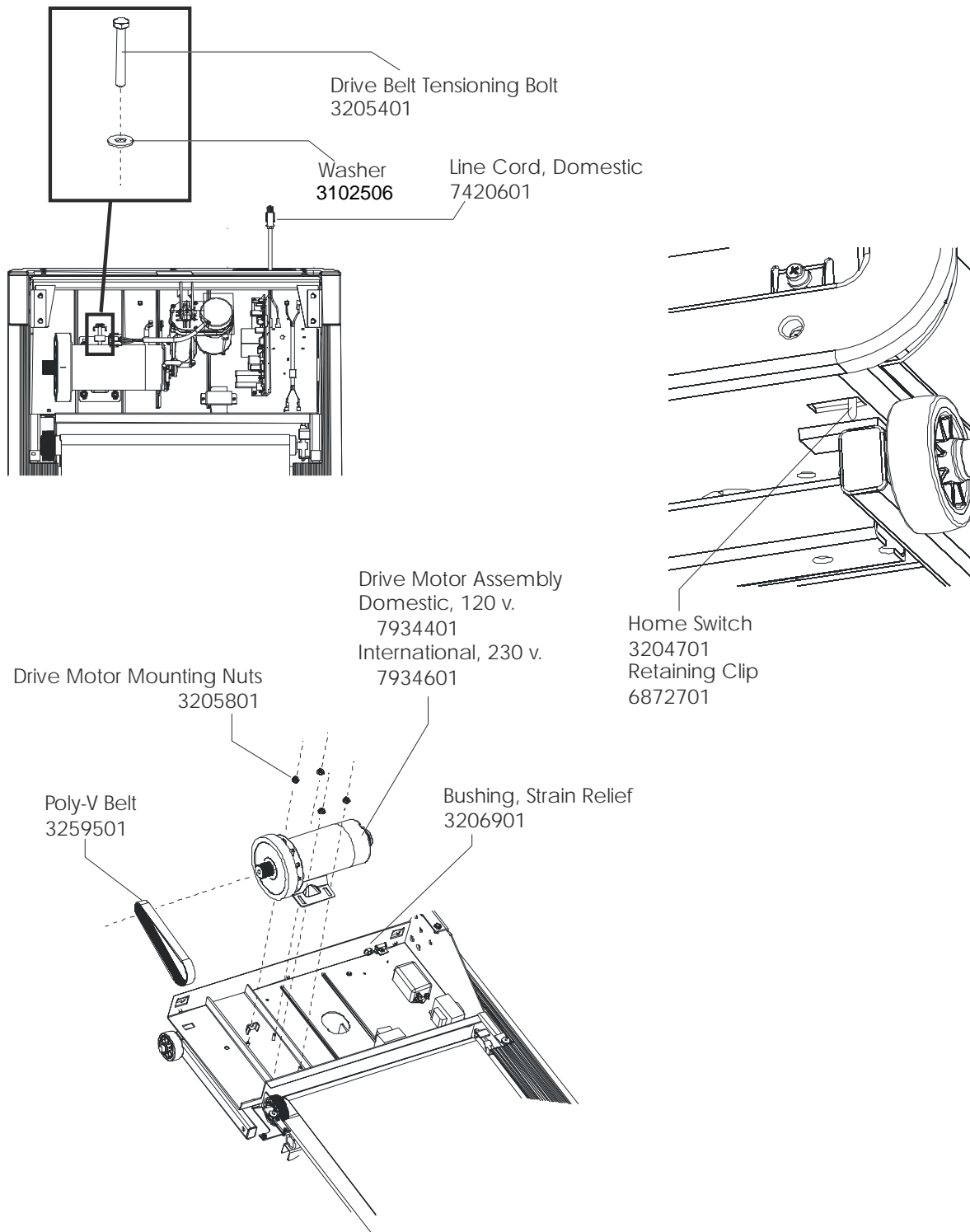
Motor Cover, Front End Cap, and Leg Levelers

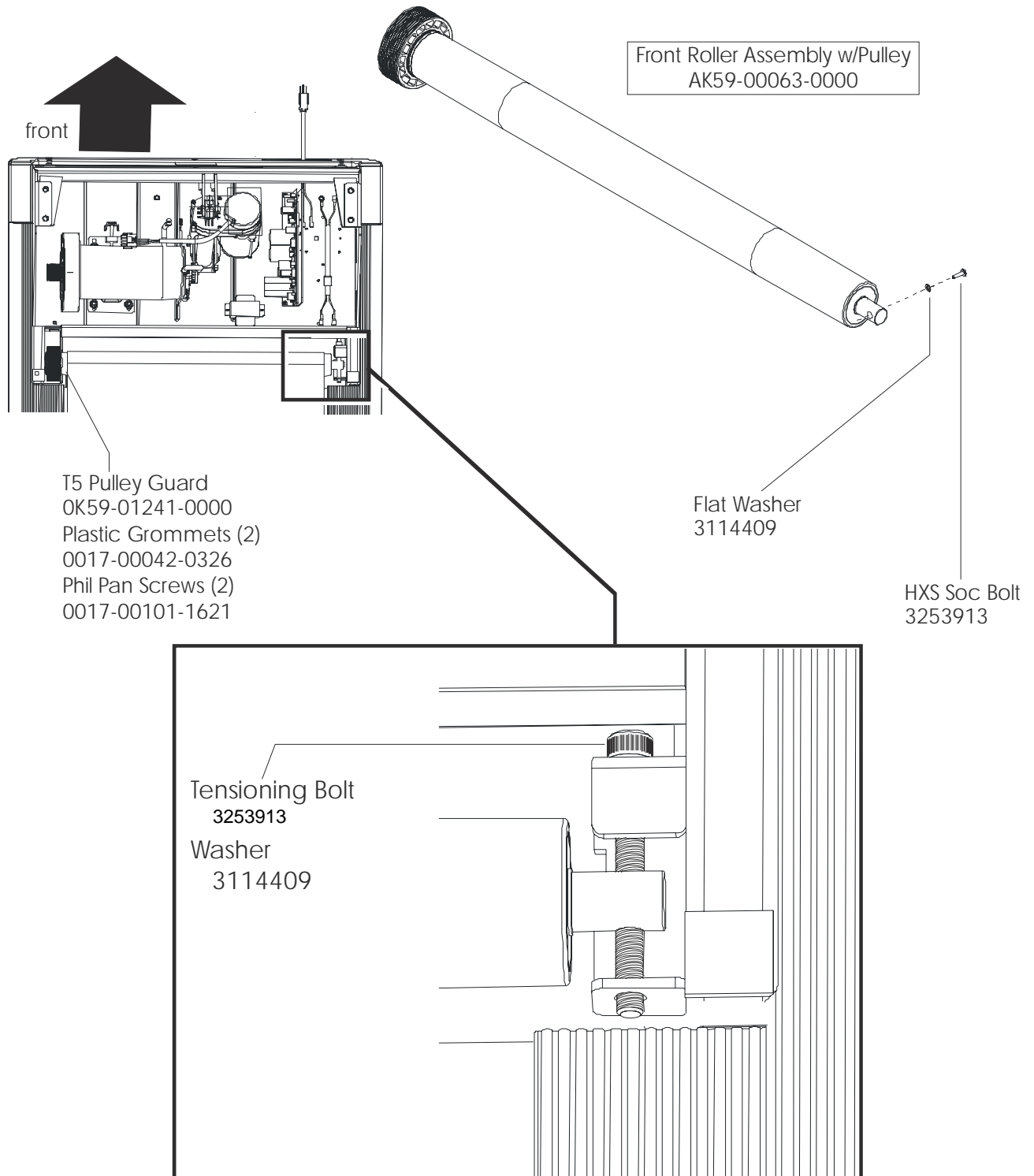


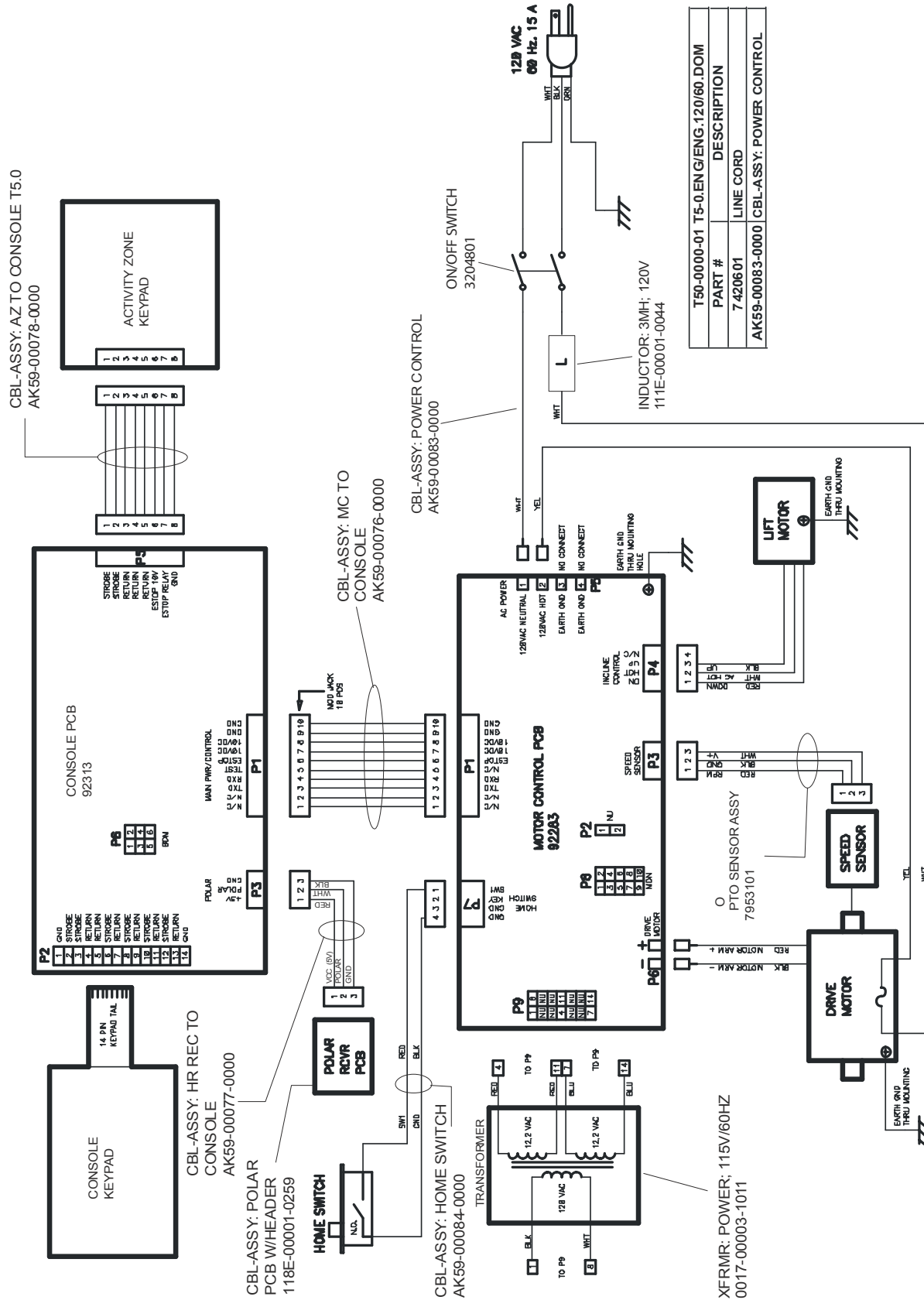


Motor Controller Kit:  
Domestic: AK59-00112-0000  
International: AK59-00113-0000

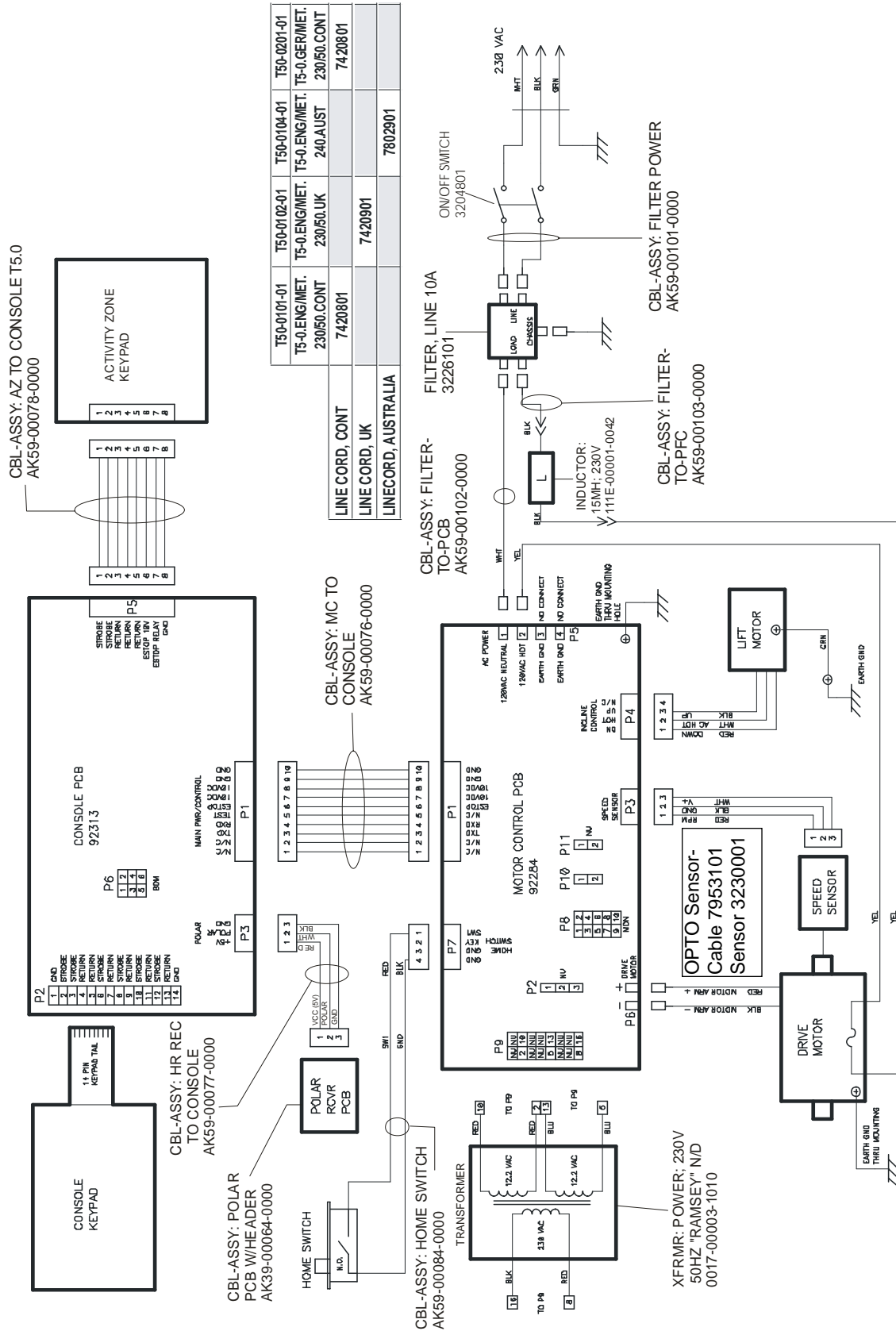








T50-0000-01 T5-0.EN G/ENG.120/60.DOM	DESCRIPTION
7420601	LINE CORD
AK59-00083-0000	CBL-ASSY: POWER CONTROL



## Free Manuals Download Website

<http://myh66.com>

<http://usermanuals.us>

<http://www.somanuals.com>

<http://www.4manuals.cc>

<http://www.manual-lib.com>

<http://www.404manual.com>

<http://www.luxmanual.com>

<http://aubethermostatmanual.com>

Golf course search by state

<http://golfingnear.com>

Email search by domain

<http://emailbydomain.com>

Auto manuals search

<http://auto.somanuals.com>

TV manuals search

<http://tv.somanuals.com>