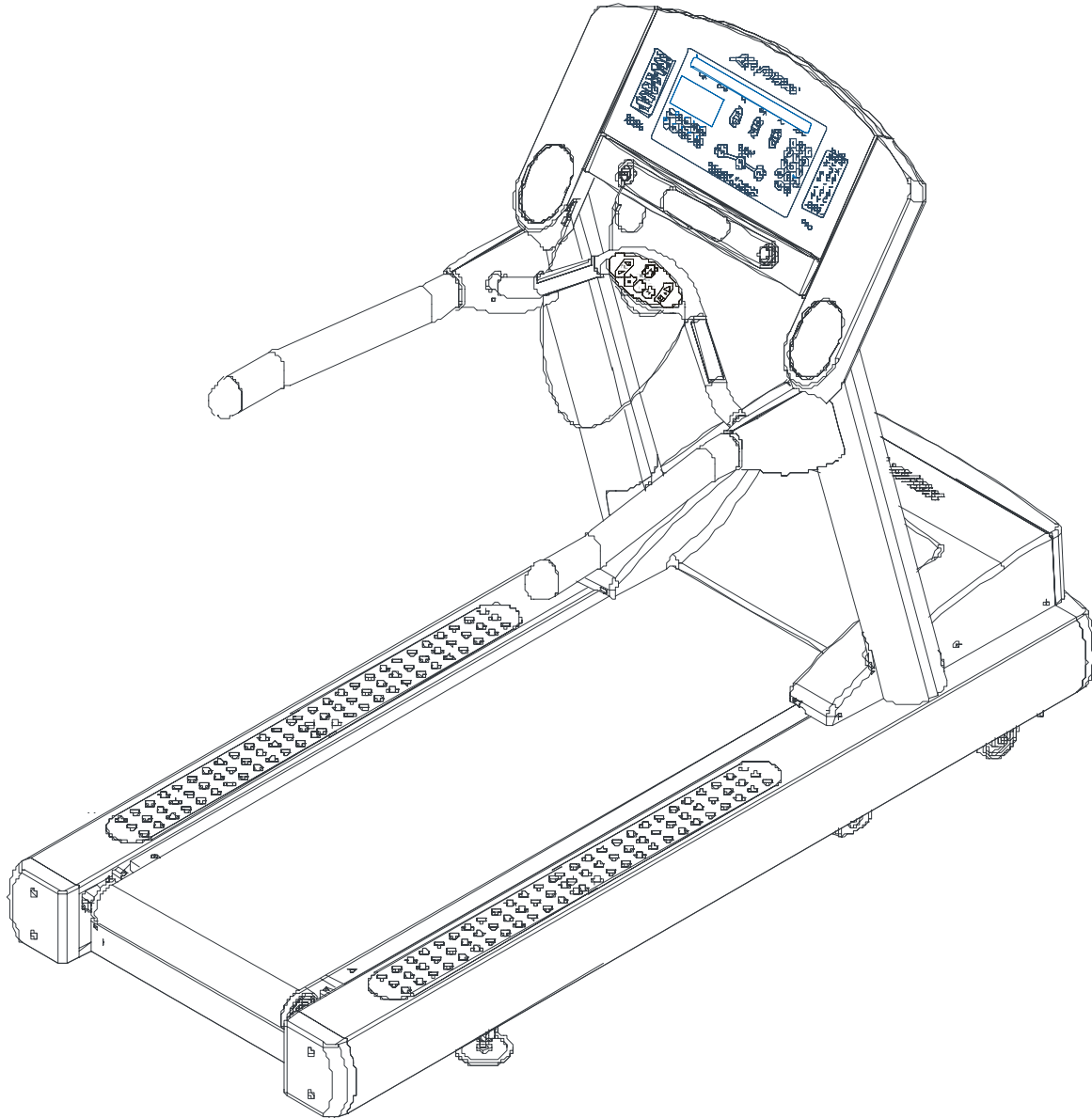


# LifeFitness

ARCTIC SILVER T9-0XXX-04 TREADMILL



## Customer Support Services *PARTS MANUAL*

rev 29 May 2008

<i>ARCTIC SILVER T9</i>	<i>T9-0XXX-04</i>
CONTENTS	S/N TTX100000 and up

REFERENCES ..... 3

CONSOLE ASSY & OVERLAY ..... 5

CONSOLE COMPONENTS ..... 6

UPRIGHTS & HANDRAILS ..... 7

ERGO BAR with Life Pulse ..... 8

ACTIVITY ZONE ASSEMBLY ..... 9

REAR ENDCAPS, CUP HOLDERS & ANTI-SLIPS PADS ..... 10

MOTOR COVER, FRONT COVER & ENDCAPS ..... 11

ON-OFF SWITCH & GROMMETS ..... 12

BELT, DECK & REAR ROLLER ..... 13

LIFT MOTOR & FRAME - 120V UNITS ..... 14

LIFT MOTOR & FRAME - 200-240V UNITS ..... 15

LEG LEVELER ASSEMBLY ..... 16

FRONT ROLLER ASSEMBLY ..... 17

DRIVE MOTOR ASSEMBLY ..... 18

DSP-CONTROLLER ASSEMBLY ..... 19

LINE-CORDS & LINE-CORD OPTIONS ..... 20

CABLES FOR UNITS BETWEEN 0100 - 0104 ..... 21

<b>ARCTIC SILVER T9</b>	<b>T9-0XXX-04</b>
<b>REFERENCES</b>	<b>S/N TTX100000 and up</b>

**PLEASE NOTE:**  
**ALL OPERATION, INSTRUCTION ASSY & INSTRUCTION BAG ASSY MAY NOT AVAILABLE**

LANGUAGE	OPERATION MANUAL	INSTRUCTION ASSEMBLY	INSTRUCTION BAG ASSY.	SERVICE MANUAL
T9-0100-04	M051-00K60-A091	M051-00K60-B059	AK60-00219-0000	TBA
T9-0101-04	M051-00K60-A091	M051-00K60-B059	AK60-00219-0004	TBA
T9-0102-04	M051-00K60-A091	M051-00K60-B059	AK60-00219-0004	TBA
T9-0104-04	M051-00K60-A091	M051-00K60-B059	AK60-00219-0004	TBA

<b>AK60-00173-0000</b>	<b>HDWR-BAG ASSY: MFG; T9i</b>	
Item	Description	Qty
0K58-01305-0002	PLUG: UPRIGHT S/C-C	2
0K58-01347-0000	GASKET: ERGOBAR C	2
0017-00009-1049	WRENCH: TORX; T27 B	1
0017-00042-0326	GROMMET: PLASTI; .130/.005 S/C#13-B	2
0017-00042-0840	CLIP: WIRE; PUSH-MTG; 3/4"; S/C#80-B	5
0017-00101-1770	8-15X 8 PHL PAN A SS NO B	6
0017-00101-1772	10-16X 8 PHL PAN B ST ZS B	6
0017-00101-1773	1/4 -20X 8 TRX BUT CS SS NO B	6
0017-00101-1774	5/16-18X40 TRX FLT CS ST ZS B	4
0017-00101-1778	1/2 -13X16 UNS HEX CS G5 ZB B	4
0017-00101-1780	8- X20 PHL TRS AB SS NO B	8
0017-00104-0325	WSH 516-.873-125 SL-D ST ZN B	4
0017-00103-0327	NUT 5/16-18 HEX; JAM D ST ZS B	4
118E-00001-0135	TRANSMITTER: POLAR; T31 C	1
118E-00001-0136	STRAP: POLAR; MEDIUM S/C#2-C	1

<b>ARCTIC SILVER T9</b>	<b>T9-0XXX-04</b>
<b>REFERENCES - CONTINUED</b>	<b>S/N TTX100000 and up</b>

<b>GK58-00002-0095</b>	<b>KIT: SERV; ROLLER-GUARDS; 93/95Ti BM</b>	
<b>" Parts that are included in this kit is as follows "</b>		
Part Number	Description	Qty
AK58-00360-0001	GUARD-ASSY: MFG; RT; 3.50 B	1
AK58-00360-0002	GUARD-ASSY: MFG; LT; 3.50 B	1
Only available in the kit	INSTR: SERV; ROLLER-GUARDS +	1
0017-00042-0326	GROMMET: PLASTI; .130/.005 S/C#13-B	2
0017-00042-1147	GROMMET: NYLON; SCREW B	2
0017-00101-1776	10-16X 8 PHL PAN B ST ZB B	4

<b>GK58-00002-0071</b>	<b>KIT: SERV; ANTI-SLIP RAIL BM</b>	
<b>" Parts that are included in this kit is as follows "</b>		
Part Number	Description	Qty
Only available in the kit	INSTR:TEMPLT; ANTI-SLIP RAIL B	4
Only available in the kit	INSTR: KIT; ANTI-SLIP RAIL +	1
0K58-01376-0000	RAIL: ANTI-SLIP;STEALTH-GREY E	2
Only available in the kit	PAD: WIPE; ALCOHOL/DRY B	1

<b>TOUCH UP PAINT:</b>	
0017-00008-0204	PAINT: CAN; SPRAY; ARCTIC SILVER
0017-00008-0205	PAINT: BOTTLE; ARCTIC SILVER ( .5 OZ )
0017-00008-0206	PAINT: PEN; ARCTIC SILVER ( .33 OZ )

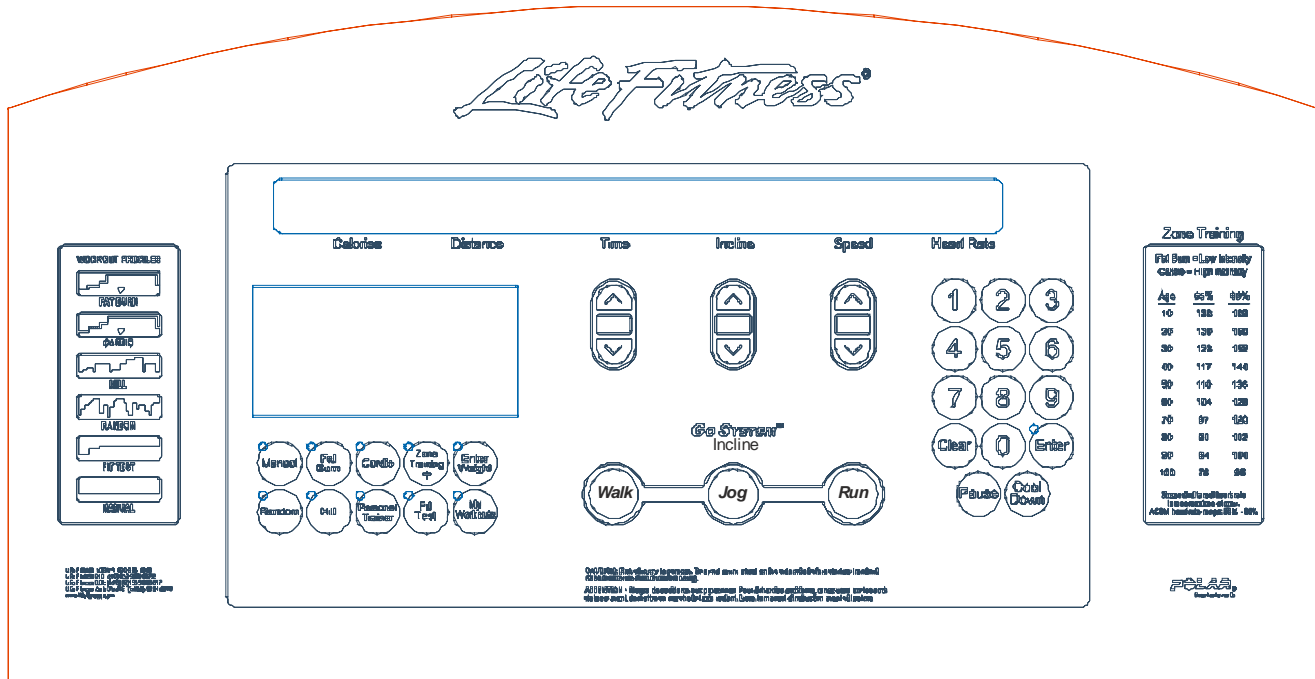
<b>INK TRANSFER TOUCH-UP PAINT: SB No. GN05032101N</b>	
0017-00008-0210	PAINT: TOUCH-UP; SHADOW-GRAY; .6 OZ BTL.
0017-00008-0211	PAINT: TOUCH-UP; SHADOW-GRAY; .6 OZ. PEN

ARCTIC SILVER T9

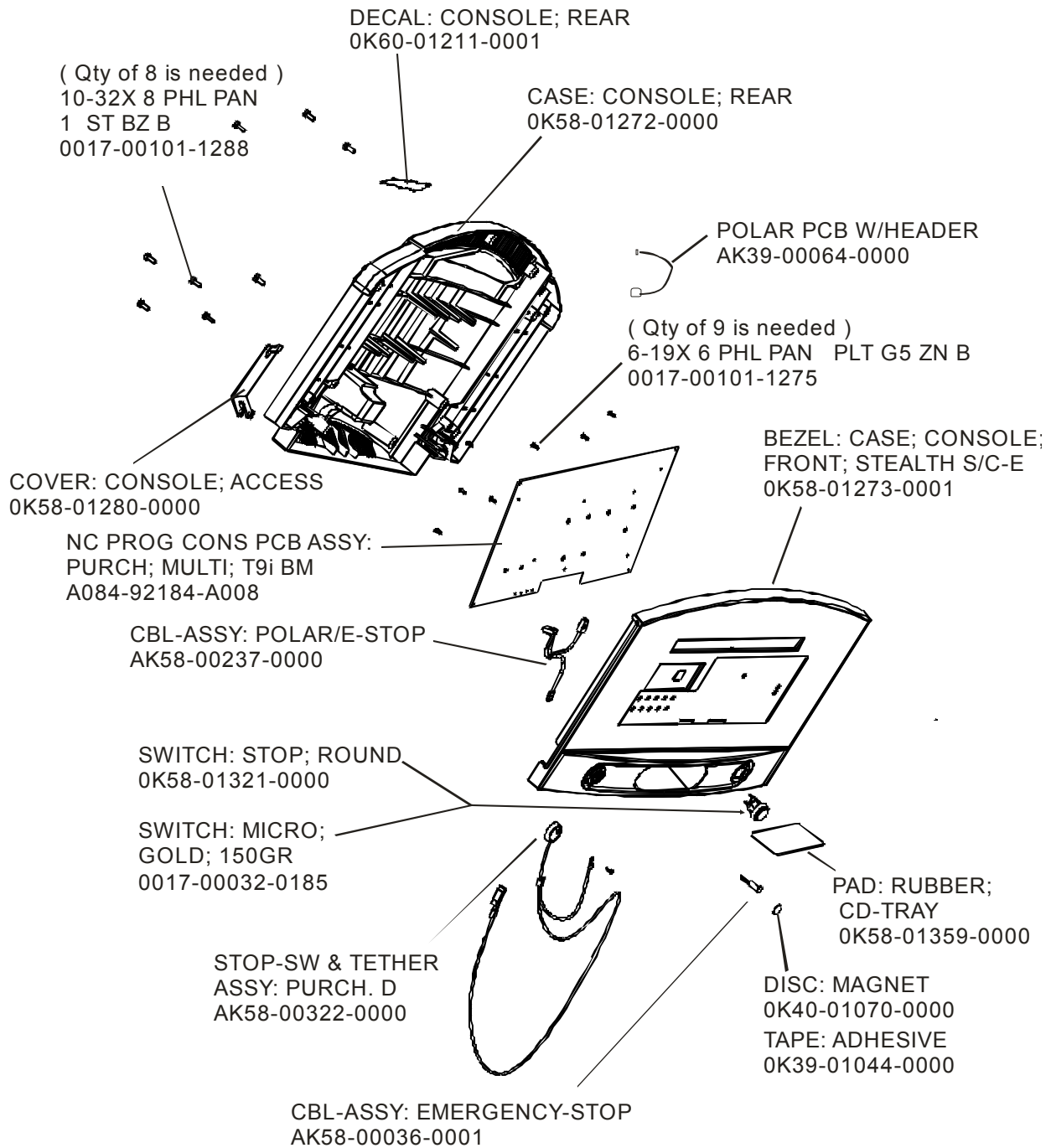
T9-0XXX-04

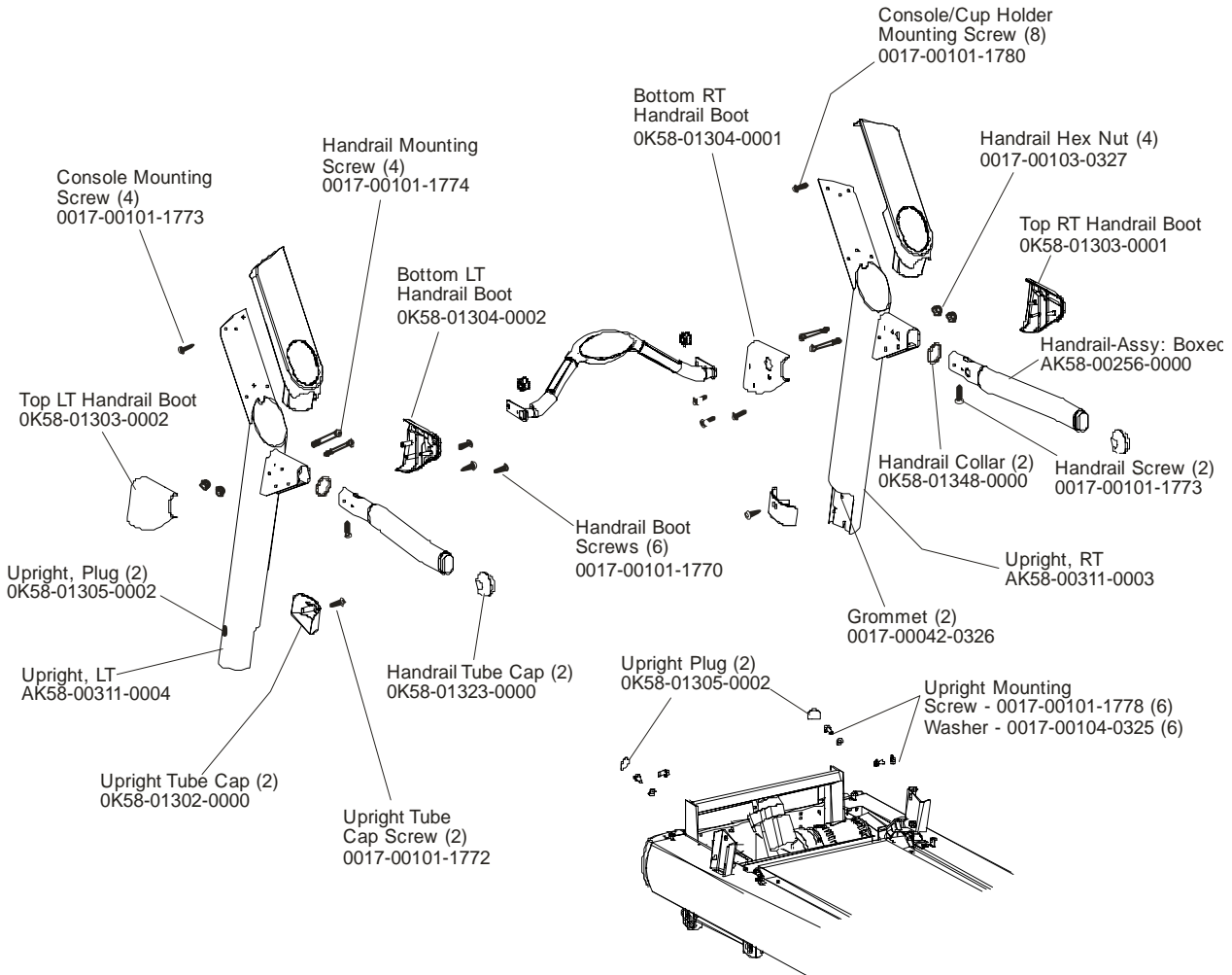
Console Assy. & Overlay

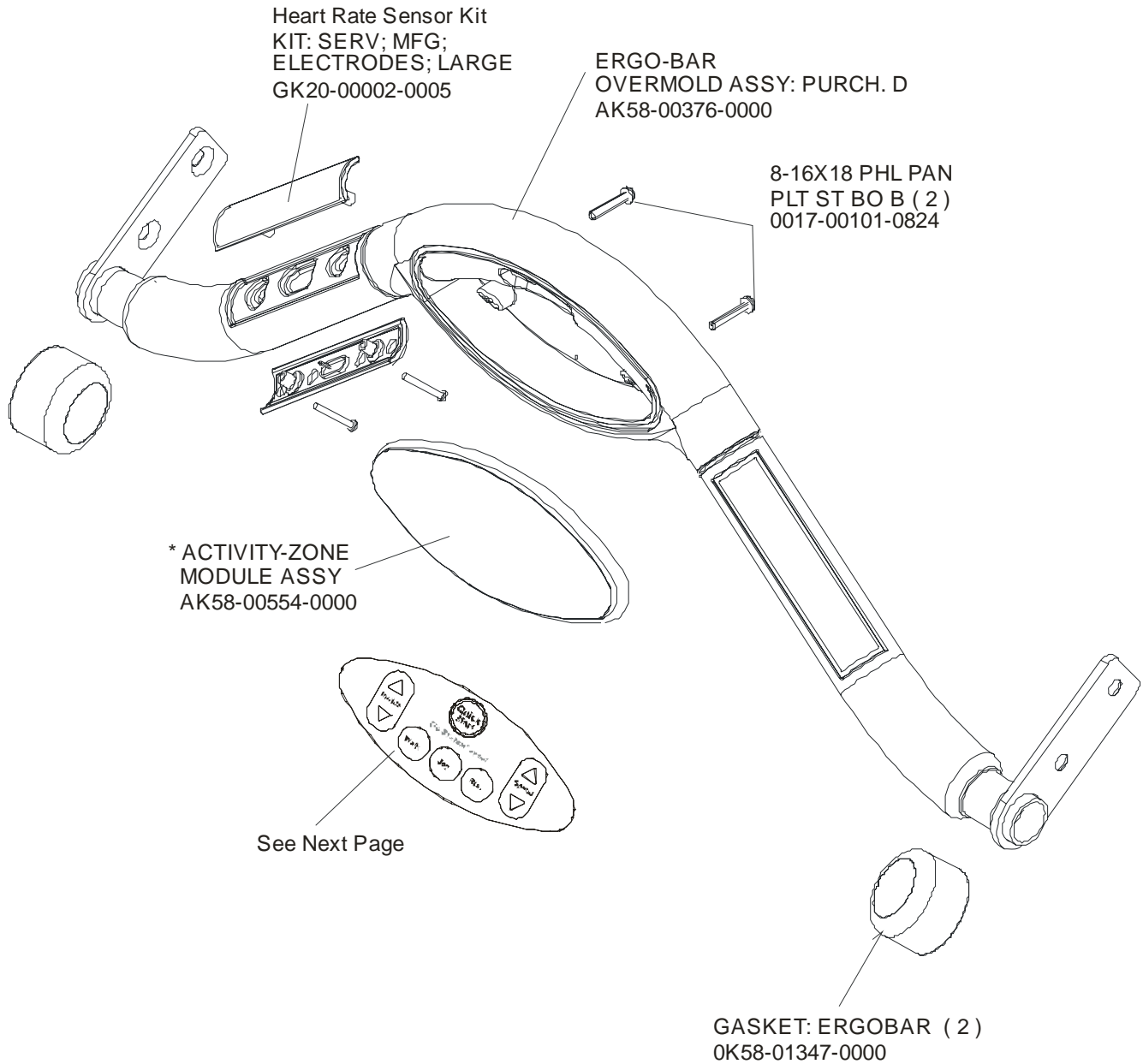
S/N TTX100000 and up



LANGUAGE	CONSOLE	OVERLAY
T9-0100-04	AK60-00217-0001	0K58-01488-0001
T9-0101-04	AK60-00217-0002	
T9-0102-04		
T9-0104-04		

**ARCTIC SILVER T9****T9-0XXX-04****Console Components****S/N TTX100000 and up**







<b>ARCTIC SILVER T9</b>	<b>T9-0XXX-04</b>
Activity Zone Assembly	S/N TTX100000 and up



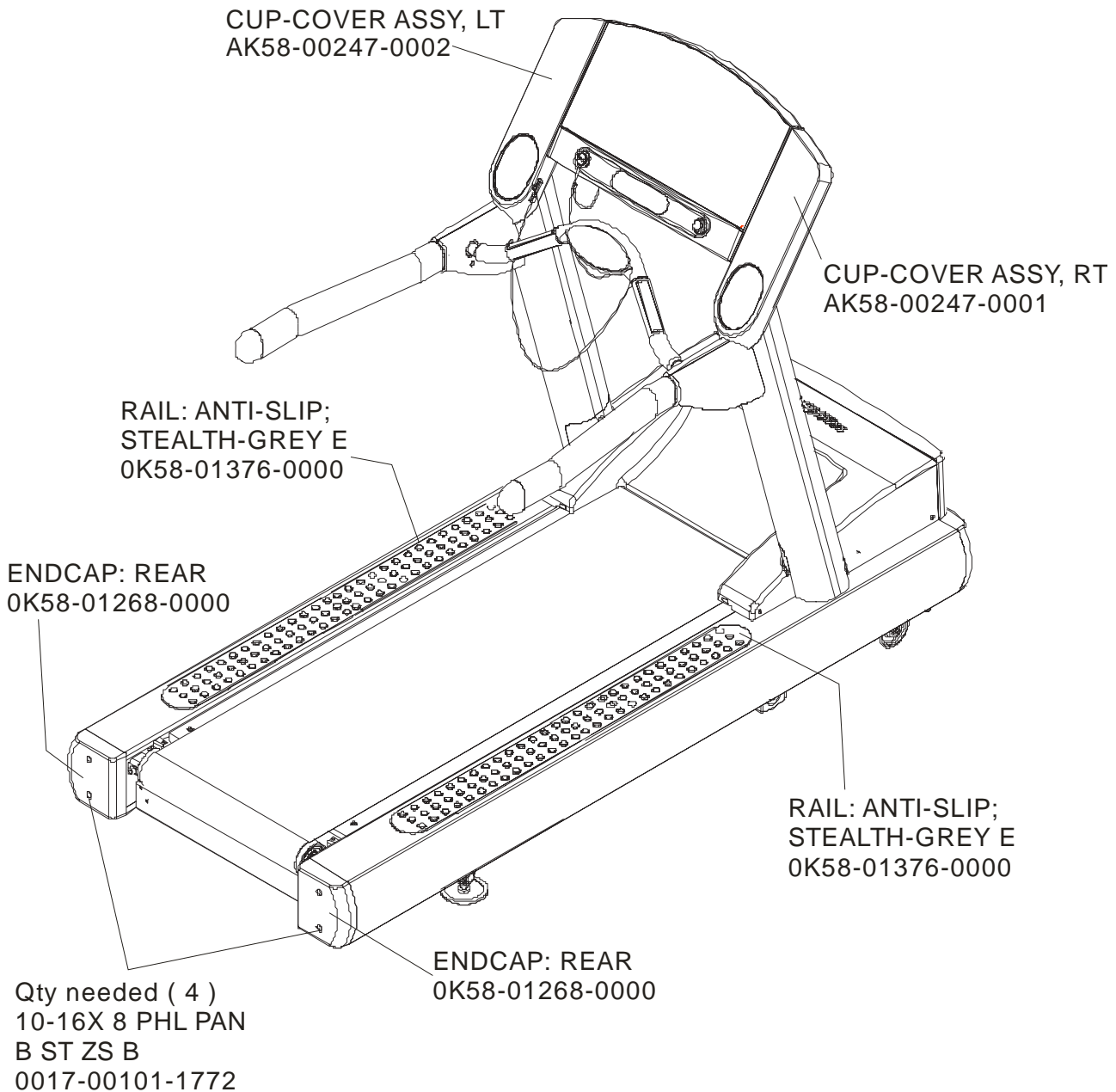
<b>LANGUAGE</b>	<b>A-Z MODULE W/OVERLAY ASSY</b>	<b>AZ OVERLAY</b>
ENG/ENG	AK60-00224-0001	0K58-01459-0001

**ARCTIC SILVER T9**

**T9-0XXX-04**

**Rear End Caps, Cup Holders & Anti-Slip Pads**

**S/N TTX100000 and up**

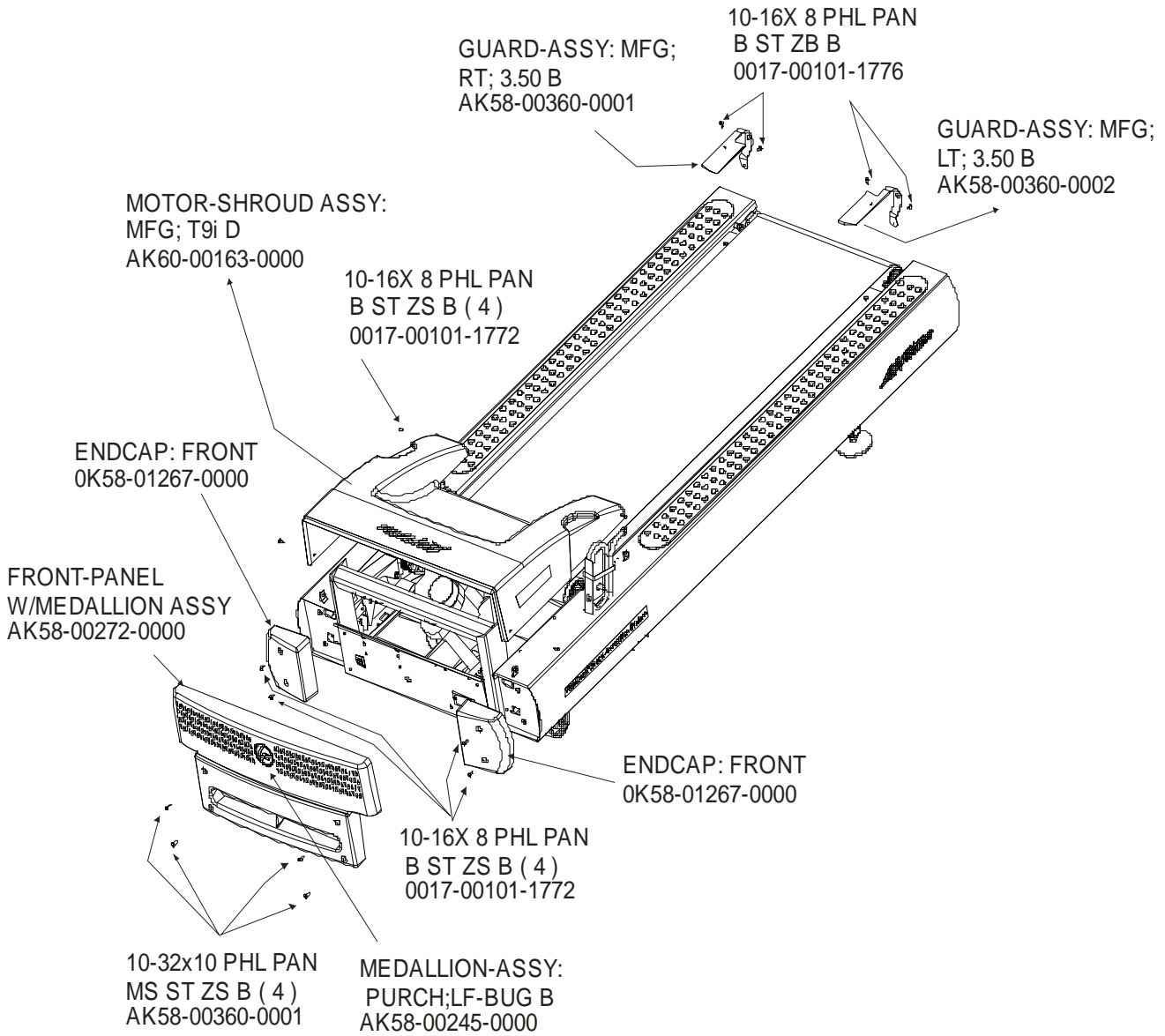


**ARCTIC SILVER T9**

**T9-0XXX-04**

**Motor Cover, Front Cover & Front End Caps**

**S/N TTX100000 and up**

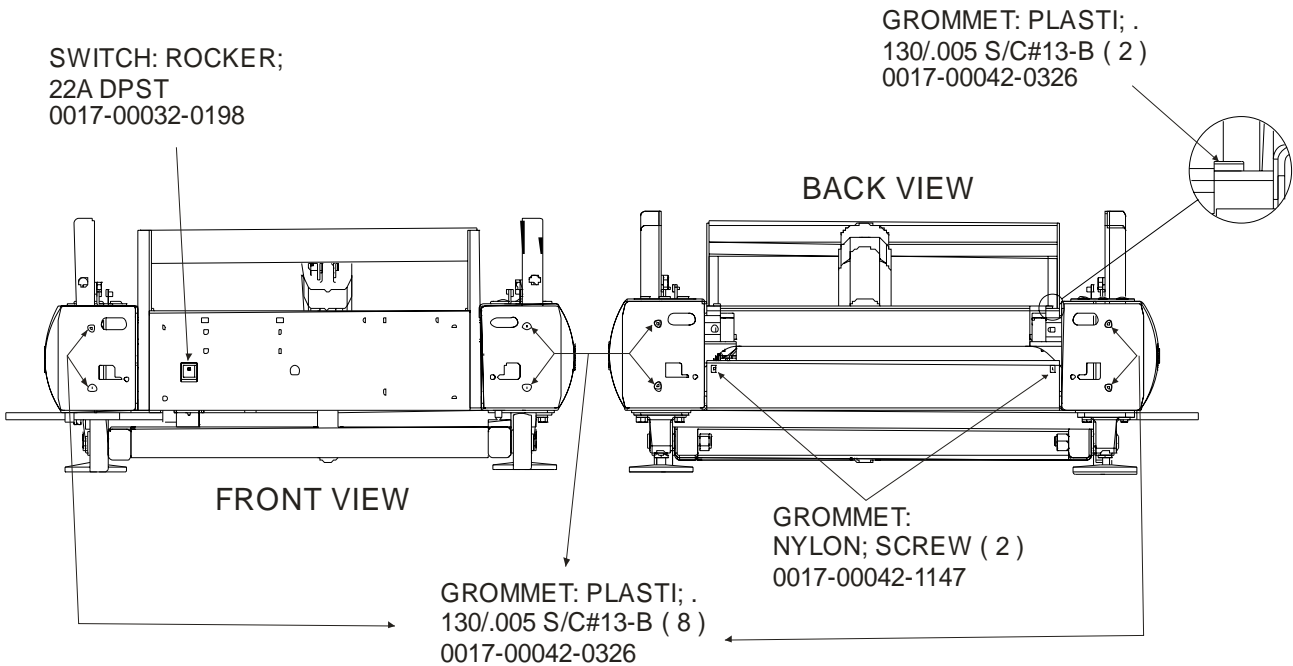
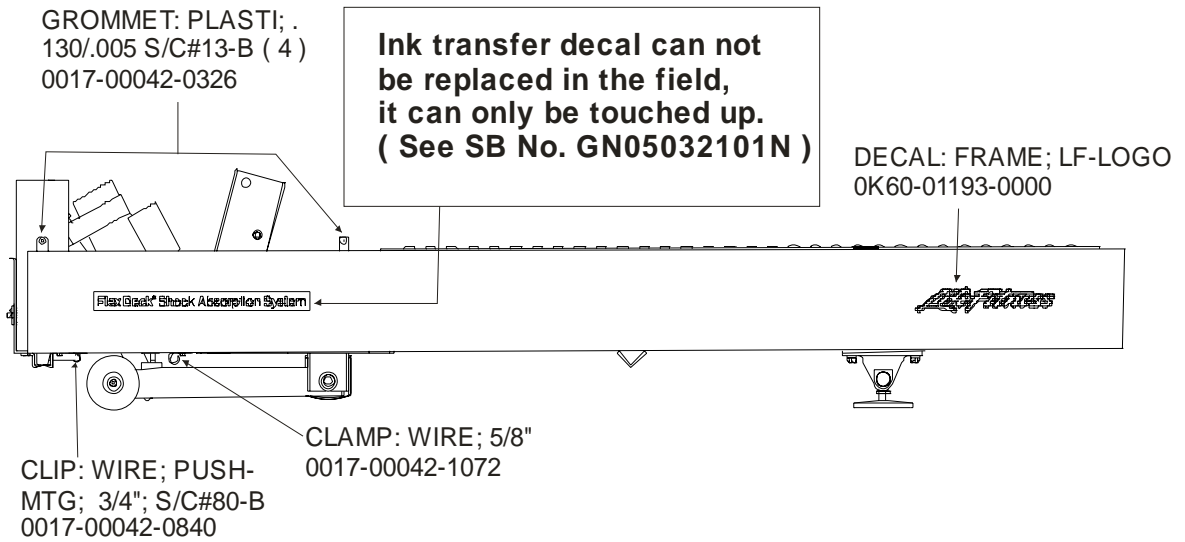


**ARCTIC SILVER T9**

**T9-0XXX-04**

**On-Off Switch & Grommets**

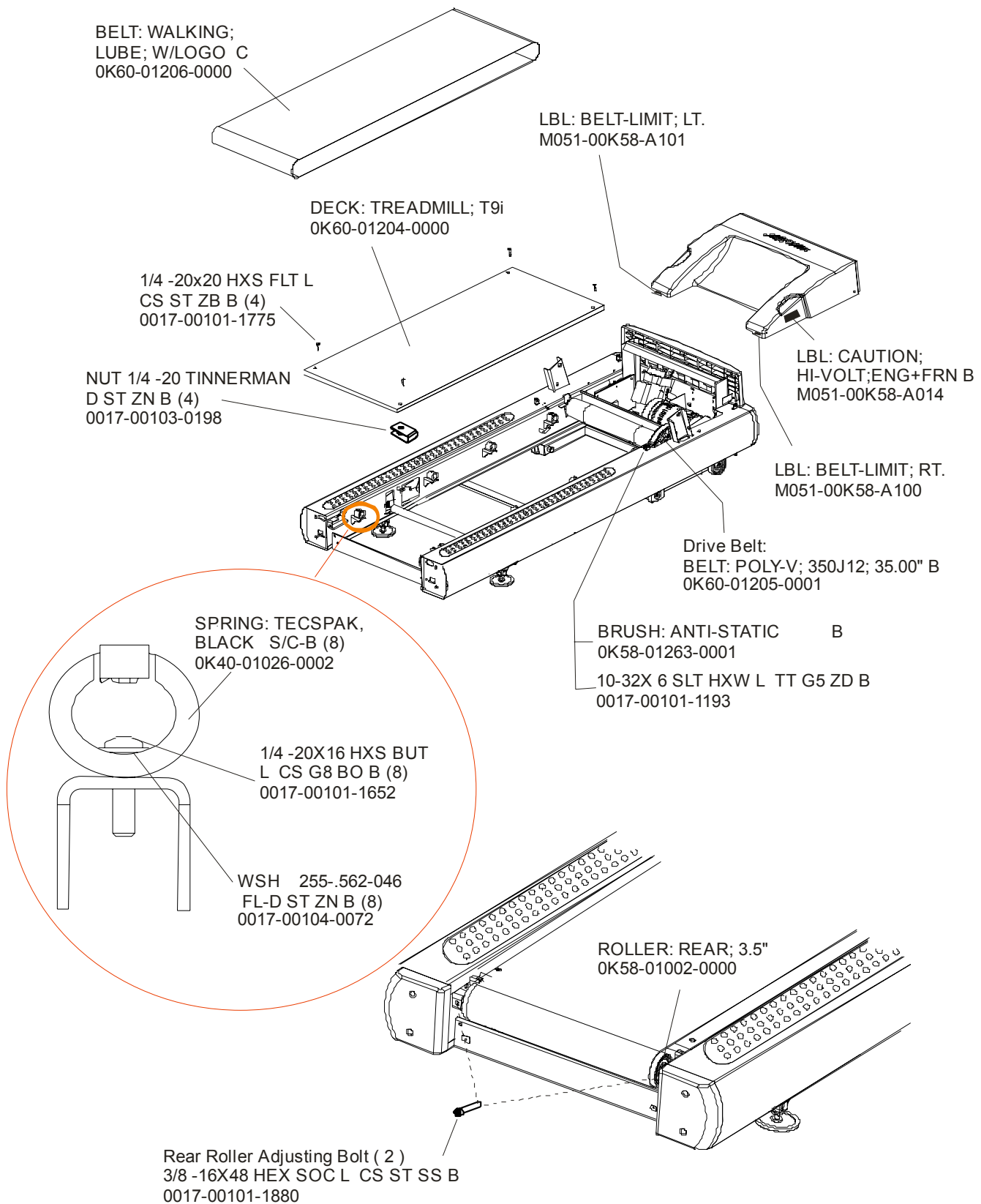
**S/N TTX100000 and up**



# ARCTIC SILVER T9

## Belt, Deck, Rear Roller & Drive Belt

T9-0XXX-04  
S/N TTX100000 and up

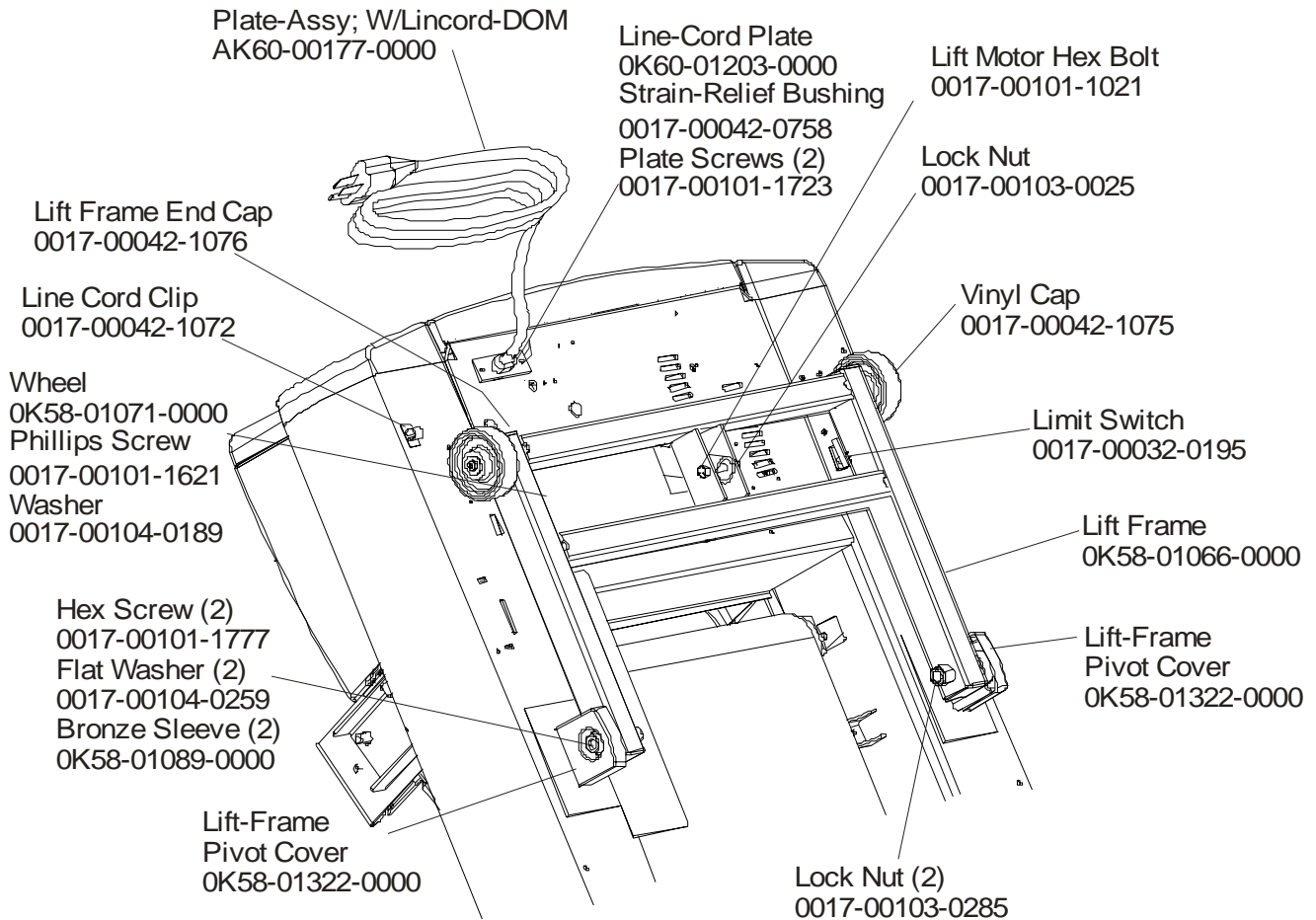
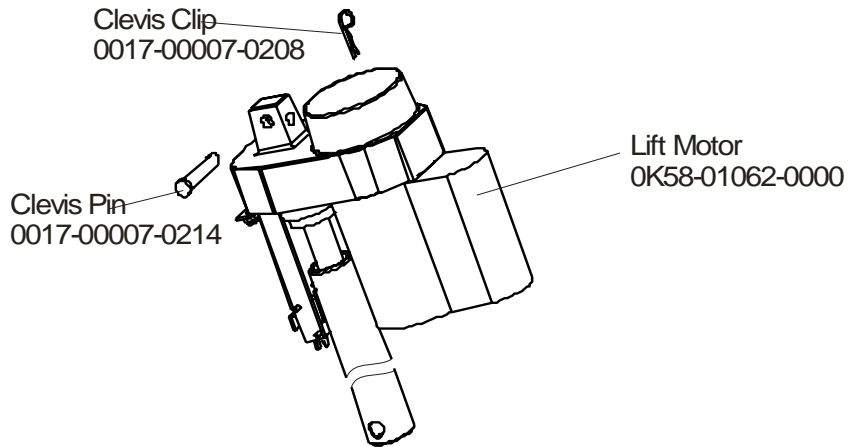


# ARCTIC SILVER T9

T9-0XXX-04

Lift Motor & Frame - Domestic

S/N TTX100000 and up

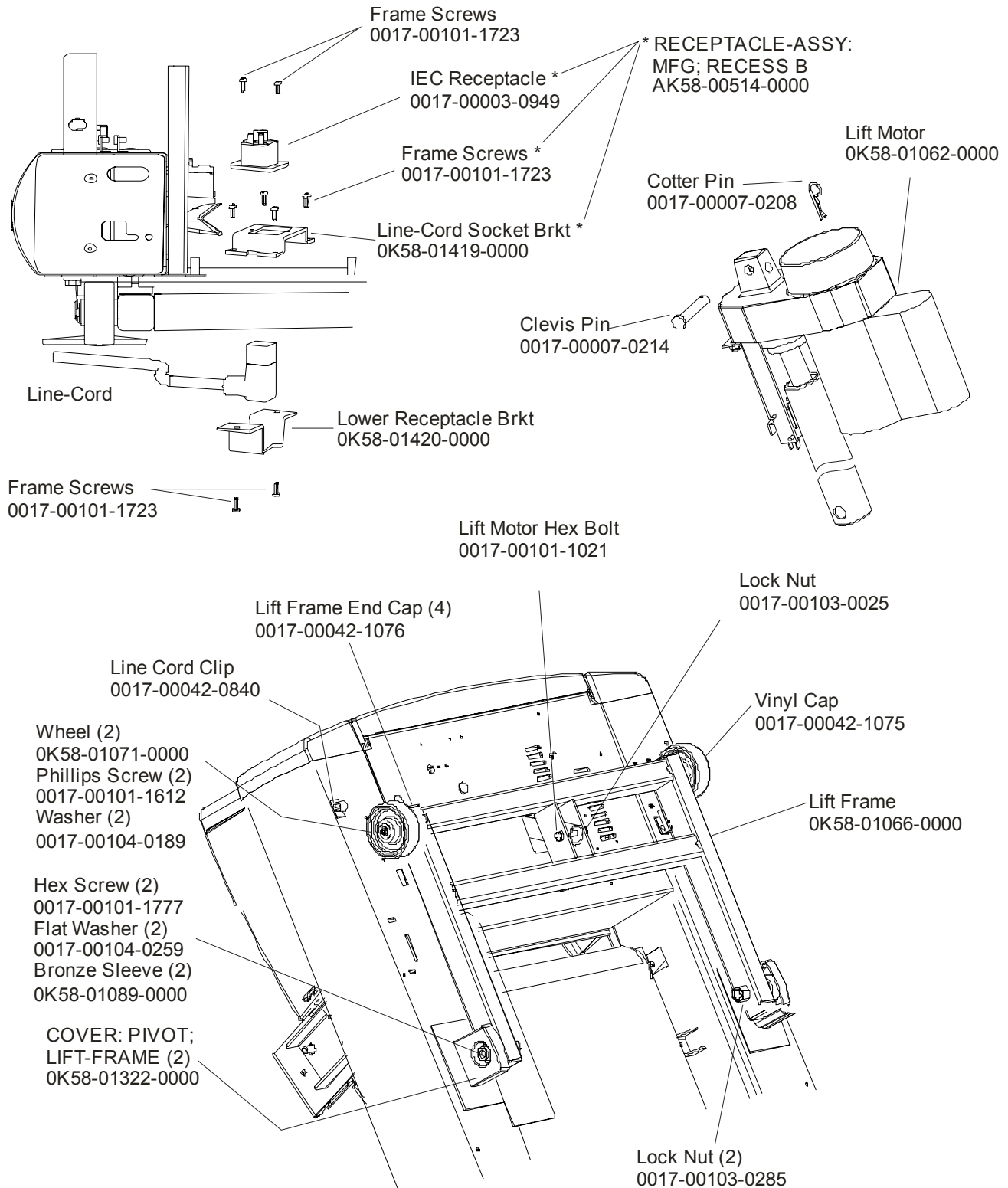


# ARCTIC SILVER T9

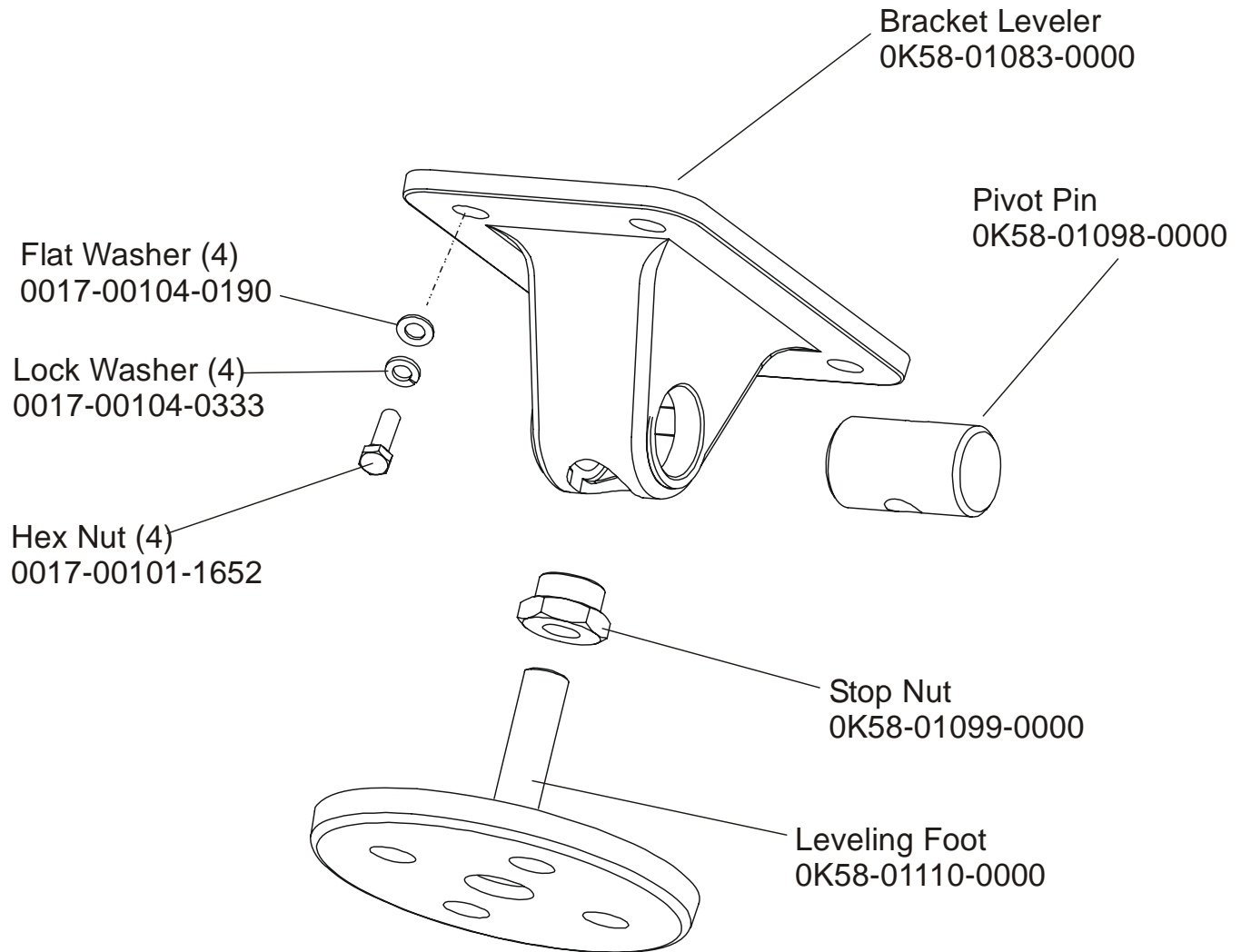
Lift Motor & Frame - International

T9-0XXX-04

S/N TTX100000 and up

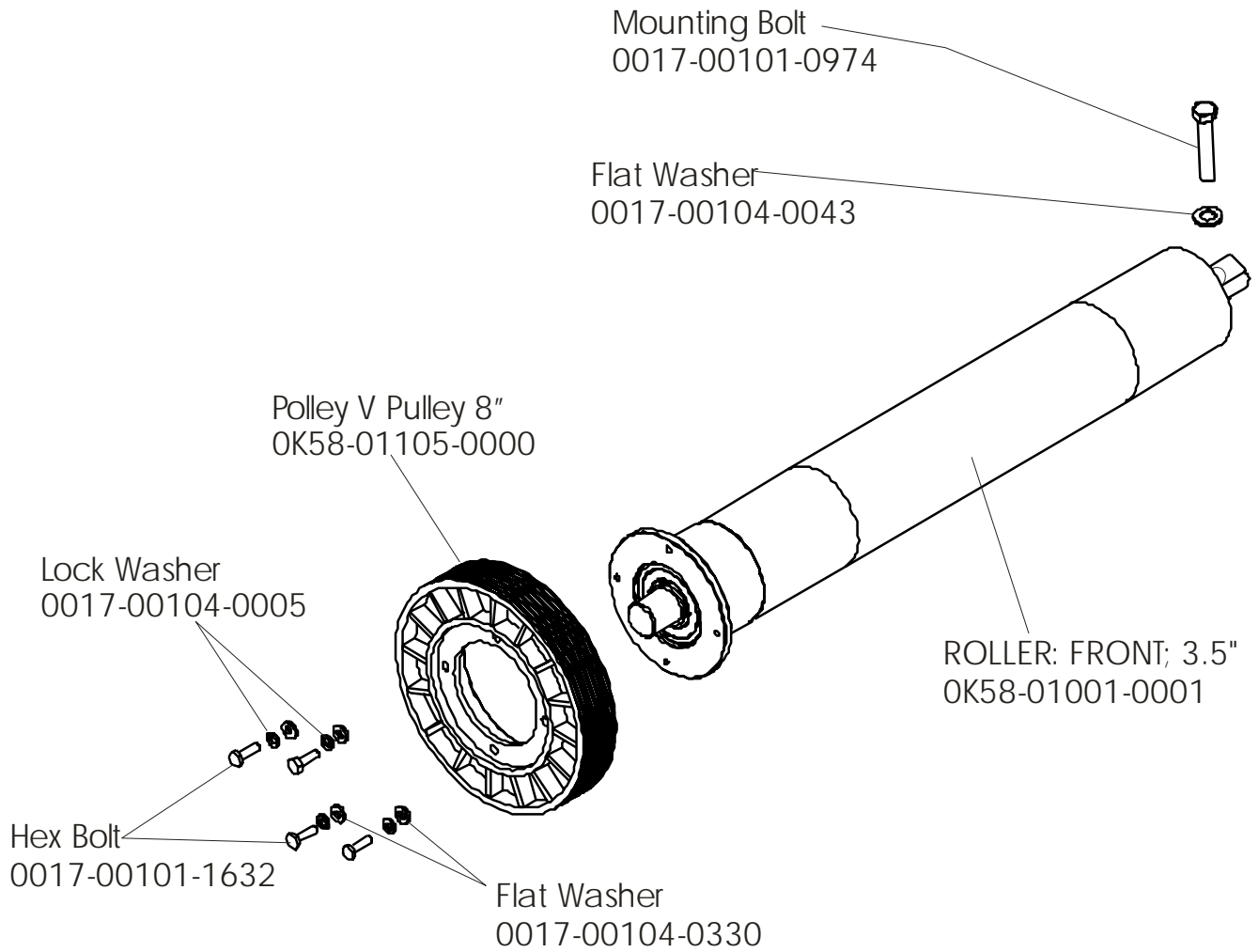


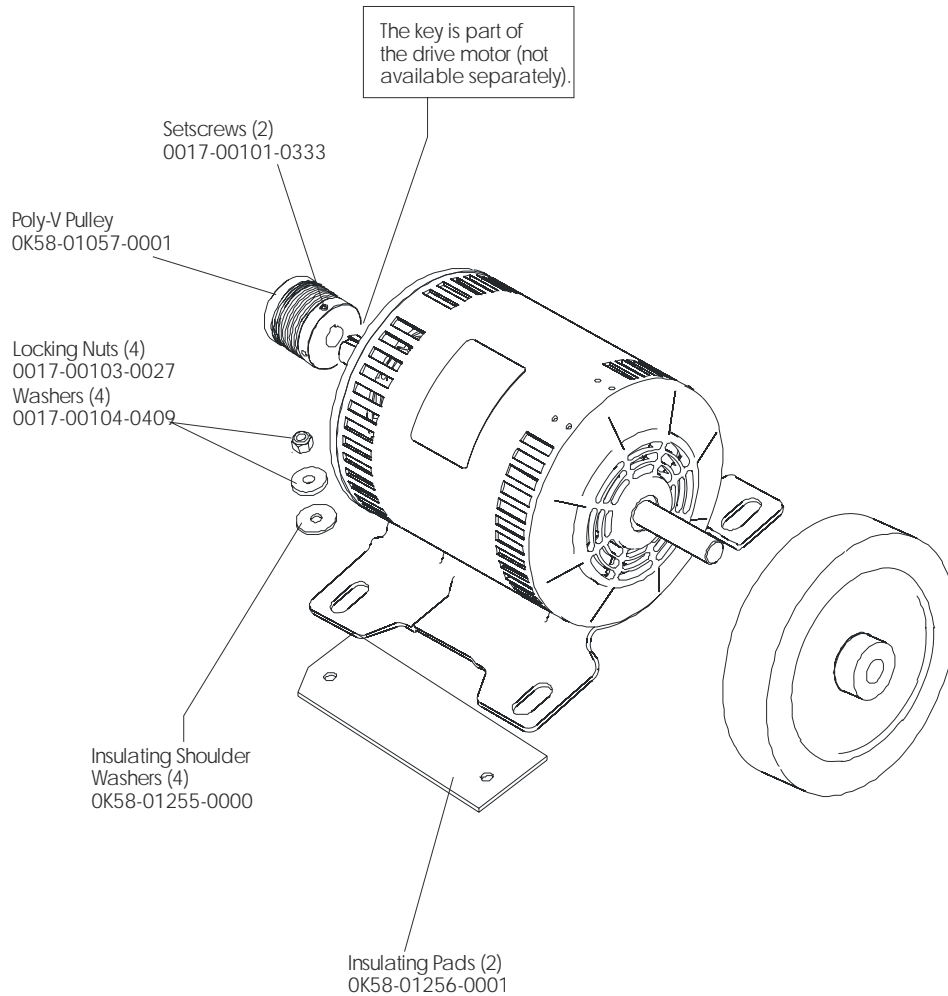
<b>ARCTIC SILVER T9</b>	<b>T9-0XXX-04</b>
<b>Leg Leveler Assembly - AK58-00370-0000</b>	<b>S/N TTX100000 and up</b>





<b>ARCTIC SILVER T9</b>	<b>T9-0XXX-04</b>
<b>Front Roller Assy.- AK58-00066-0000</b>	<b>S/N TTX100000 and up</b>

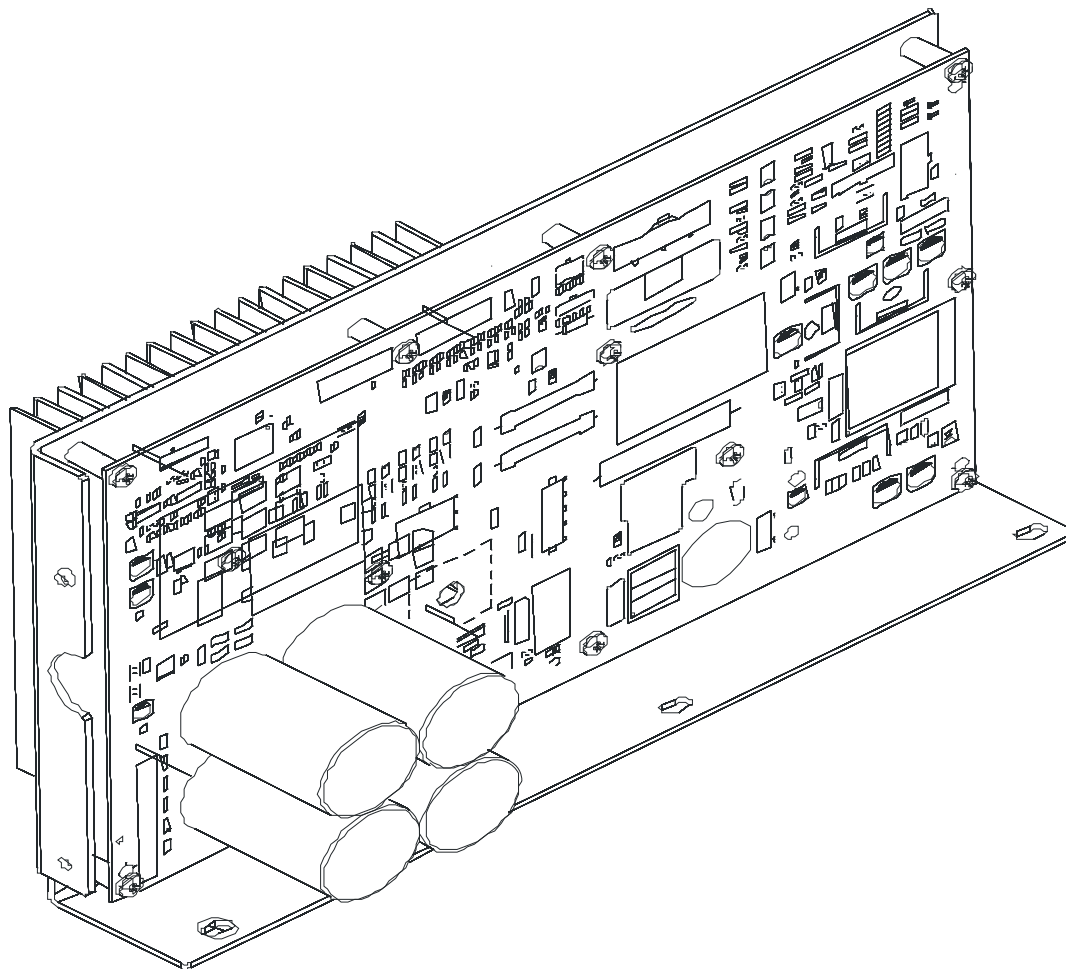


**ARCTIC SILVER T9****T9-0XXX-04****Drive Motor Assembly****S/N TTX100000 and up**

Description	Part Nos.	
	S/N TTX100000–TTX100021	S/N TTX100022 and up
Drive Motor Assembly	AK58-00171-0001 (dual cable)	AK60-00168-0001 (tapered shaft)
Cast Iron Flywheel	0K58-01092-0002	0K58-01092-0004
Drive Motor Setscrews/Bolt	0017-00101-0975 (uses setscrews)	0017-00101-1885 (uses bolt)

Ref: technical bulletin TR07060101N

<b>ARCTIC SILVER T9</b>	<b>T9-0XXX-04</b>
DSP-Controller Assy.	S/N TTX100000 and up



VOLTAGE	PART NUMBER	PART DESCRIPTION
100-120	GK58-00002-0118	KIT: SERV; MFG; DSP CONTROLLER 100-120; LED
200-240	GK58-00002-0120	KIT: SERV; MFG; DSP CONTROLLER 200-240; LED

<b>ARCTIC SILVER T9</b>	<b>T9-0XXX-04</b>
<b>Line-Cords &amp; Line-Cord Options</b>	<b>S/N TTX100000 and up</b>

<b>MODEL #</b>	<b>MODEL DESCRIPTION</b>	<b>STANDARD LINE-CORDS</b>
T9-0100-04	T9i ENG/ENG 120/60 DOM	AK60-00177-0000 PLATE-ASSY W/LINECORD: MFG; DOM.C
T9-0101-04	T9i ENG+MET 230/50 CON	0017-00003-0696 LINE-CORD: R/A; CEE7; 103" 10A 250V D
T9-0102-04	T9i ENG+MET 240/50 UK	0017-00003-0890 LINE-CORD: U.K; R/A
T9-0104-04	T9i ENG+MET 240V+ AUS	0017-00003-0996 LINE-CORD: IEC; AUSTRALIAN; 230/50 C

<b>OPTIONAL LINE-CORDS</b>		
0017-00003-0985	LINE-CORD ASSY: NEMA 5-15 120V 12' C	12'
0017-00003-0981	LINE-CORD: R/A; W/PLUG 220/60	7.5'
0017-00003-0948	LINE-CORD: 220V; 15A;	12'

**ARCTIC SILVER T9****T9-0XXX-04**

Cables for Units Between 0100 - 0104

S/N TTX100000 and up

PART NUMBER	PART DESCRIPTION	T9-XXXX-04			
		0100 120/60 DOM	0101 230/50 CON	0102 240/50 UK	0104 240V+ CON
0017-00003-0626	CIRCUIT-BREAKER: 2A S/C#18-D		X	X	
0017-00003-0671	CLIP: MTG; CIRCUIT-BREAKER B		X	X	
0017-00003-0898	FILTER: LINE; 10-AMP 4-SHT C		X	X	X
AK26-00346-0002	CBL-ASSY: JMPR;OUTLET/SW/BLK S/C-B	X	X	X	X
AK26-00347-0002	CBL-ASSY: JMPR;OUTLET/SW/WHT S/C-B	X	X	X	X
AK58-00027-0000	CBL-ASSY: ZERO-SWITCH C	X	X	X	X
AK58-00032-0000	CBL-ASSY: USER SENSE PROX. C <b>"For AZ"</b>	X	X	X	X
AK58-00034-0001	CBL-ASSY: CONSOLE; PWR; UPR C	X	X	X	X
AK58-00036-0000	CBL-ASSY: EMERGENCY-STOP C	X	X	X	X
AK58-00041-0001	CBL-ASSY: H/R SENSORS C	X	X	X	X
AK58-00081-0000	CBL-ASSY: JUMPER; BLK; 4" B		X	X	X
AK58-00082-0000	CBL-ASSY: JUMPER; WHT; 6" B		X	X	X
AK58-00083-0000	CBL-ASSY: JUMPER; GR/YL; 5" B		X	X	X
AK58-00210-0000	XFRMR-BRKT ASSY: MFG. C		X	X	X
AK58-00224-0001	CBL-ASSY: MOV; FILTER C	X	X	X	X
AK58-00237-0000	CBL-ASSY: POLAR/E-STOP C	X	X	X	X
AK58-00263-0000	CBL-ASSY: HI-POT JUMPER B	X	X	X	X
AK58-00522-0000	CBL-ASSY: JUMPER; POWER; LED-CONS B	X	X	X	X
AK60-00180-0000	CBL-ASSY: POWER; T9; 120V C	X			
AK60-00181-0000	CBL-ASSY: POWER; T9; 31" 200-240V S/C-C		X	X	X

## Free Manuals Download Website

<http://myh66.com>

<http://usermanuals.us>

<http://www.somanuals.com>

<http://www.4manuals.cc>

<http://www.manual-lib.com>

<http://www.404manual.com>

<http://www.luxmanual.com>

<http://aubethermostatmanual.com>

Golf course search by state

<http://golfingnear.com>

Email search by domain

<http://emailbydomain.com>

Auto manuals search

<http://auto.somanuals.com>

TV manuals search

<http://tv.somanuals.com>