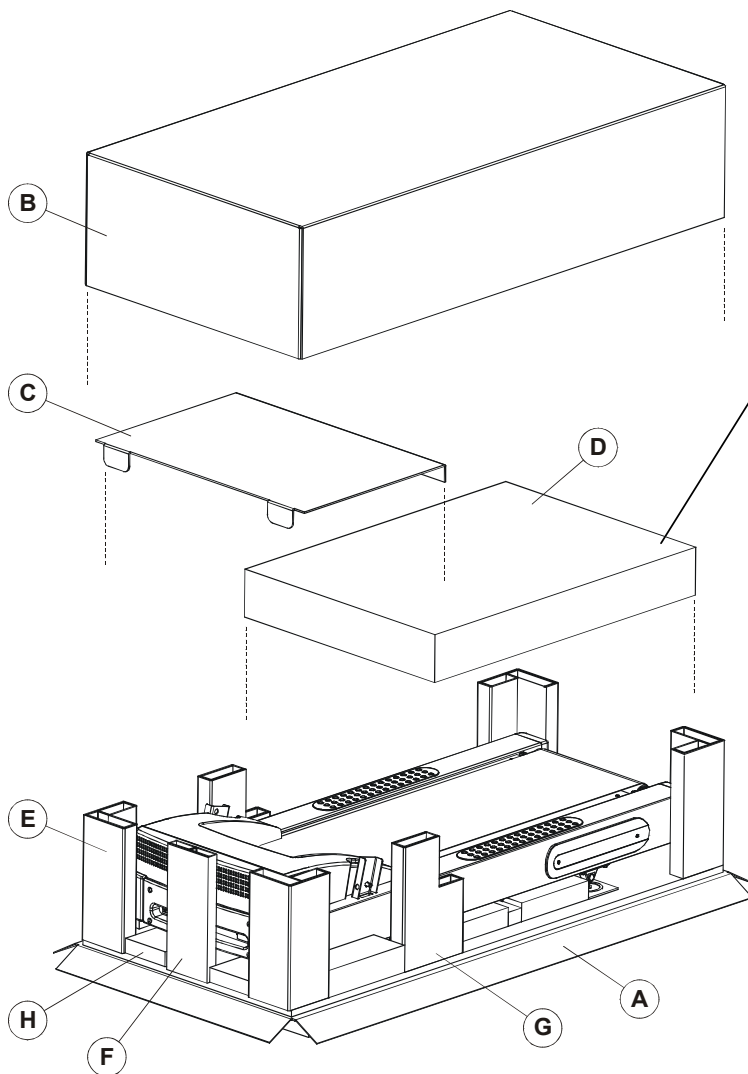


UNPACKING INSTRUCTIONS

1. Remove all banding and staples from the corrugated shipping container and fold down the four sides of the BASE TRAY (A).
 2. Lift and remove the CARTON COVER (B).
 3. Lift and remove the FRONT LINER (C).
 4. Remove the banding and open the SHIP KIT (D). Remove all contents from the SHIP KIT. Remove the SHIP KIT carton from the treadmill.
 5. Remove the CORNER POSTS (E), FRONT POST (F) and SIDE POSTS (G).
 6. Remove the plastic wrapping from the treadmill.
 7. Using a standard screwdriver, remove the FRONT LOCATOR PADS (H) from the BASE TRAY (A).
 8. With the help of another person, carefully lift the rear of the unit and slowly roll the unit forward off of the BASE TRAY (A).
- NOTE:** Be sure not to damage the LINE CORD when moving the treadmill off of the BASE TRAY.
9. Follow the Assembly Instructions included in the parts bag to complete the assembly of your treadmill.



- ✓ Left and Right Uprights
- ✓ Handlebars
- ✓ Ergo™ Front Crossbar
- ✓ Left and Right Inside Handlebar Shrouds
- ✓ Left and Right Outside Handlebar Shrouds
- ✓ Display Console
- ✓ Lower Upright Covers
- ✓ Left and Right Accessory Trays
- ✓ Handlebar Caps
- ✓ Rear Frame Endcaps
- ✓ Hardware Kit
- ✓ Heart Rate Chest Strap
- ✓ Operation Manual
- ✓ Assembly Instructions
- ✓ Warranty Card

IMPORTANT
SAVE YOUR PACKING MATERIALS IN CASE OF RETURN

Free Manuals Download Website

<http://myh66.com>

<http://usermanuals.us>

<http://www.somanuals.com>

<http://www.4manuals.cc>

<http://www.manual-lib.com>

<http://www.404manual.com>

<http://www.luxmanual.com>

<http://aubethermostatmanual.com>

Golf course search by state

<http://golfingnear.com>

Email search by domain

<http://emailbydomain.com>

Auto manuals search

<http://auto.somanuals.com>

TV manuals search

<http://tv.somanuals.com>