

Life Fitness Model TR91/95/97 Series Treadmills

How To... Install The Roller Guard Bracket Kit

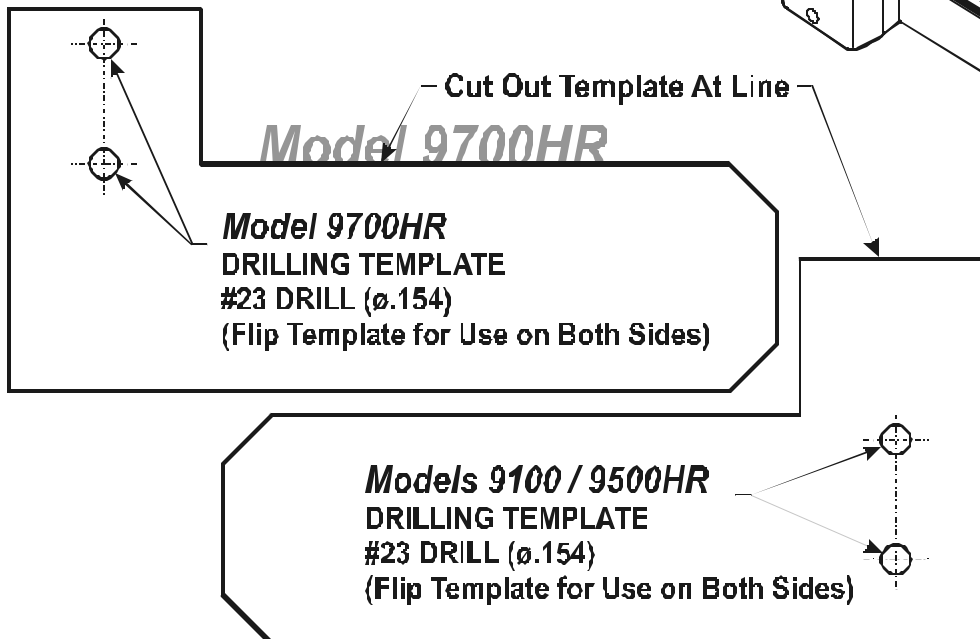
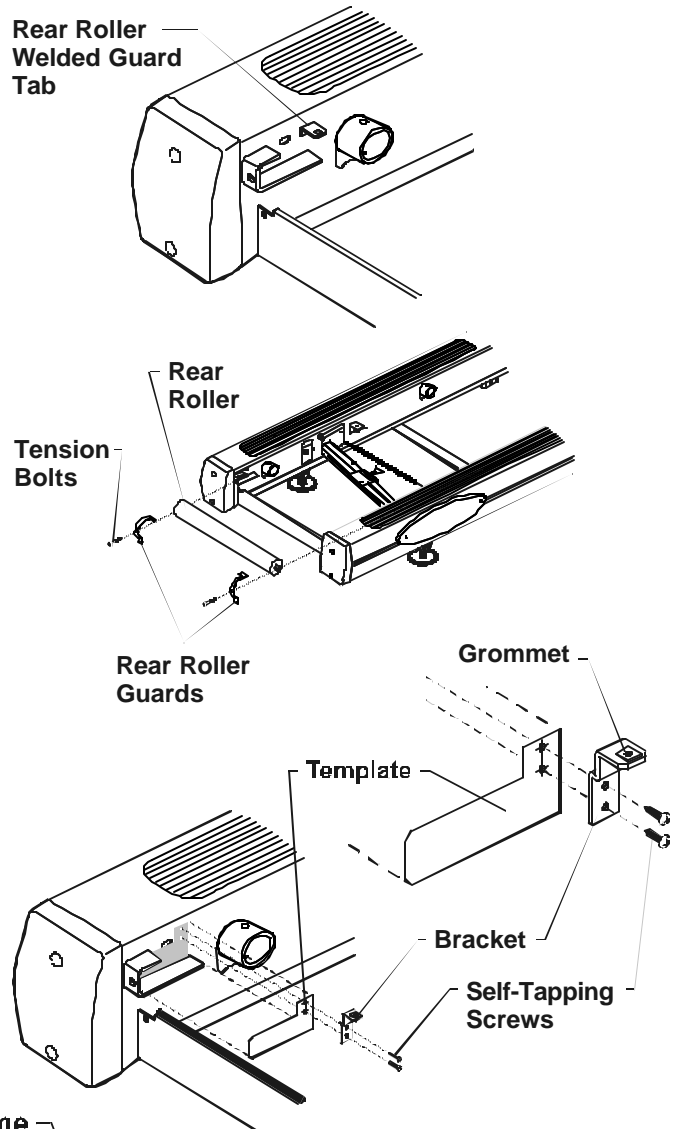
Tools required: Hex key wrench set, socket and ratchet set, drillbit set, drill, file, and Phillips screwdriver

Kit # GK58-00002-0008

1. Turn the unit power OFF at the ON/OFF switch, and then unplug the line cord at the wall outlet.
2. Remove the REAR ROLLER GUARDS.
3. Remove tension bolts from REAR ROLLER.
4. Remove the REAR ROLLER.
5. Insert the Treadmill Model appropriate TEMPLATE into user left rear roller channel and mark hole locations on the FRAME. Flip the template and repeat for the user right rear roller channel.
6. Drill a 0.154 hole at each of the four marked locations.
7. Install a GROMMET into each ROLLER GUARD BRACKET.
8. Install each ROLLER GUARD BRACKET using two supplied short screws.

Note: It may be necessary to file down any weld material that would prevent the ROLLER GUARD BRACKET from being mounted flush to the frame.

9. Re-install the REAR ROLLER. Using the supplied long screws, re-install the REAR ROLLER GUARDS making sure the striding belt is properly adjusted and tensioned. Refer to service manual "HOW TO...Replace Striding Belt" for proper belt adjustment and tensioning.



Models 9100 / 9500HR

Free Manuals Download Website

<http://myh66.com>

<http://usermanuals.us>

<http://www.somanuals.com>

<http://www.4manuals.cc>

<http://www.manual-lib.com>

<http://www.404manual.com>

<http://www.luxmanual.com>

<http://aubethermostatmanual.com>

Golf course search by state

<http://golfingnear.com>

Email search by domain

<http://emailbydomain.com>

Auto manuals search

<http://auto.somanuals.com>

TV manuals search

<http://tv.somanuals.com>