

# LIFEBREATH®

## THE ULTIMATE AIR CLEANER

### INSTALLATION MANUAL FOR TFP AIR CLEANER

## TFP2000 (Wholehouse Model)

## TFPC2000 (Portable Console Model)

#### Materials Supplied

- 1 TFP
- 4 mounting brackets
- 4 hanging straps
- 2 oval collar connections
- 4 8/32" X 3/4" sheet metal screws
- 8 8/32" X 3/8" sheet metal screws
- 4 pieces of mounting foam
- 1 set of installation \ operating instructions
- 1 warranty card
- 1 wiring diagram

#### ⚠ ATTENTION

The TFP can be installed in several different ways. Please read all suggested methods before attempting installation.

#### Electrical

The TFP is equipped with a standard power supply, on a 5' 5" cable. Lighted ON/OFF switch.

#### ⚠ ATTENTION

The furnace fan and/or HRV must operate continuously for Type 1 and Type 2 installations. If they do not operate continuously, then interlocking them electrically with the TFP is acceptable. Consult a certified electrician.



#### WHOLEHOUSE AND PORTABLE CONSOLE MODELS

#### \* LEAVE FOR HOMEOWNER

NOTE: Due to ongoing research and product development, specifications, ratings and dimensions are subject to change without notice.



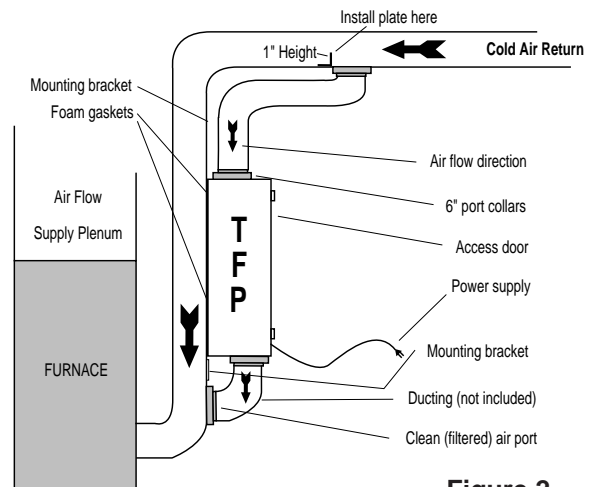
## TYPE 1 INSTALLATION

### TFP Directly Connected to Forced Air Heating System

1. Install 6" oval port collar (provided) on top and bottom of TFP (Fig. 1). Use (4) 8/32" X 3/8" screws (provided).
2. Remove protective backing from pieces of foam and stick them to the 4 corners of the TFP on the side being mounted against the plenum.
3. Remove the 4 mounting bolts from the back of the TFP cabinet. (Fig. 1)
4. Attach top and bottom mounting brackets (provided) vertical to the TFP cabinet and reinstall mounting bolts.
5. Lift the TFP into position. **Edge of TFP must be positioned on plenum to allow clearance needed for latches.**
6. Install the (4) 8/32" X 3/4" mounting screws (provided) through the brackets and into position. Tighten and secure.
7. TFP should now sit securely against the plenum with the foam in between.
8. Cut 2 - 6" holes in the plenum. Install ducting to join TFP to the return air plenum (Fig. 2).

**NOTE: Do not support the weight of the TFP on the duct. Duct must be open and not pinched.**

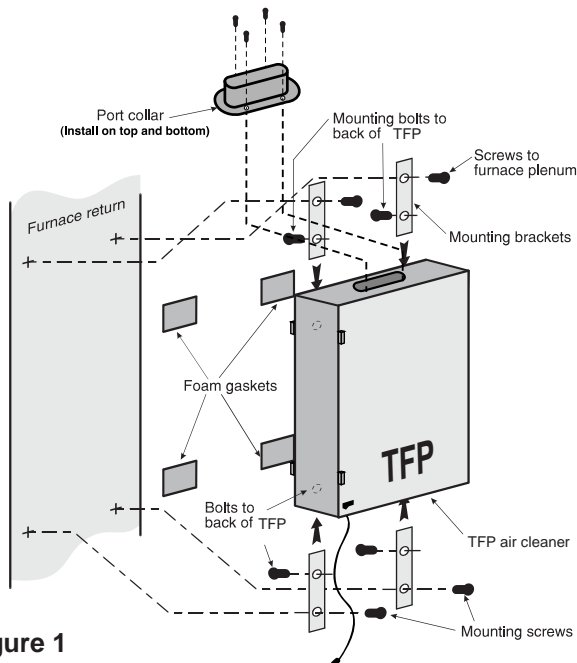
**NOTE: Due to possible noise transfer through the duct system, it may be preferable in some situations to hang the TFP a short distance from the plenum, and connect by running flexible ducting between them. Four nylon hanging straps are provided for this option.**



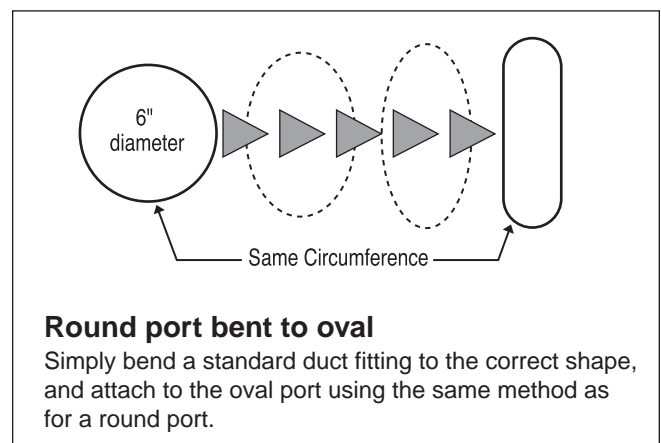
**Figure 2**

#### Type 1 Installation

*\* Direct connect to furnace/air handler return, or hang separately and connect to plenum with flexible ducting.*



**Figure 1**



#### Round port bent to oval

Simply bend a standard duct fitting to the correct shape, and attach to the oval port using the same method as for a round port.

## TYPE 2 INSTALLATION

### TFP Connected to Heat Recovery Ventilator

#### LOCATION

The TFP should be located in the main trunk of the fresh air to house line, after the Heat Recovery Ventilator (HRV) and before any branch lines. (Fig. 3)

#### MOUNTING

1. Locate mounting bolts (4) on side of TFP cabinet for vertical hanging (Fig. 3) and remove.
2. Measure distance between the bolts and mark it on the floor/header joist where the TFP is to be hung.
3. Fasten hanging straps to floor joists using wide head nails or screws with washers.
4. Insert hanging bolts through prepunched holes in straps and lift TFP into position. Tighten and secure bolts.

#### DUCTING

1. Install (2) 6" oval port collars (provided) on TFP cabinet with (8) 8/32" X 3/8" sheet metal screws provided (Fig. 3).
2. The ducting between the TFP and the HRV, and between the TFP and the main supply trunk line to the house, should be kept as straight as possible.
3. A relief opening or breathing T is required to prevent pressure differences.
4. A short piece (1-2 foot) of flexible ducting should be used on both sides of the TFP (Fig. 3). This will reduce vibration and noise transfer if present.

**NOTE:** Please refer to the HRV installation manual for proper ducting of that appliance.

#### Type 2 Installation

\* "Breathing T" is designed to assist in neutralizing pressure differences which can occur between HRV and TFP when joined together.

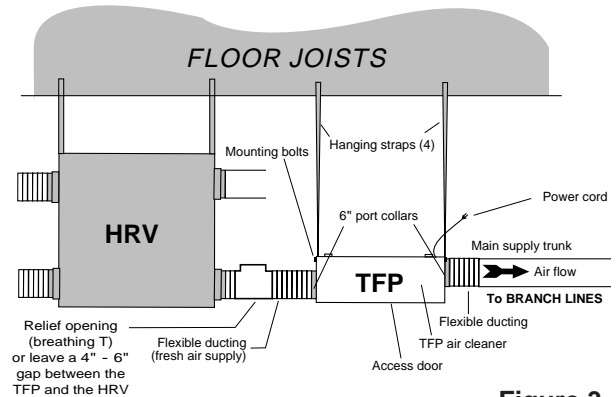


Figure 3

## CAUTION

The room in which the "breathing T" is open should be free of combustion equipment such as gas hot water tanks and furnaces. If the "T" must be exposed in these areas, a pressure test (spillage or backdraft test) should be conducted on the combustion equipment after everything is installed.

## TYPE 3 INSTALLATION

### TFP Independent Installation No HRV, Radiant Heating System

#### LOCATION

1. A TFP is usually installed in a basement area where air flow noise will be negligible to the occupants.
2. A central location between the clean air supply grille and return grille is recommended.

#### MOUNTING

Refer to "Mounting" under Type 2 Installations.

#### DUCTING

1. Install (2) 6" oval port collars (provided) on TFP cabinet with (8) 8/32" X 3/8" sheet metal screws provided (Fig.4).
2. Ducting will usually consist of one return with grille from one side of the home, and one supply with grille at the opposite end of the home (Fig. 4).
3. Ductwork should be no smaller than the size of the port collars (6") on the TFP.
4. Ductwork should be kept as short and straight as possible to allow for good air circulation.

**NOTE: For installations of more than one return or supply (greater than .5 e.s.p.) , it is often necessary to add an inline fan to the system as a booster.**

#### Type 3 Installation

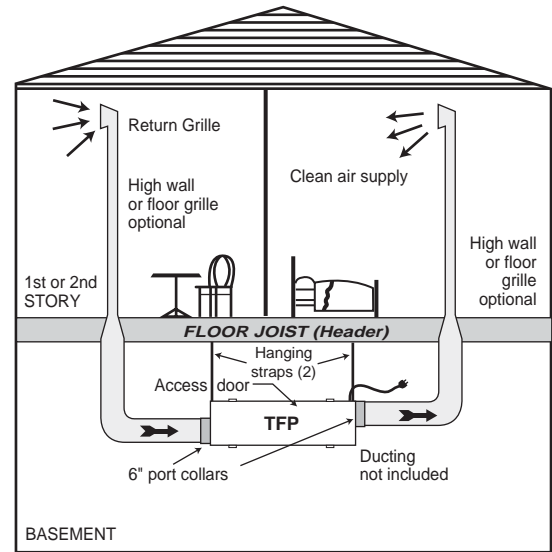


Figure 4

## OPERATING INSTRUCTIONS AND ANNUAL CHECK-UP

#### OPERATING INSTRUCTIONS

A lighted ON/OFF switch indicates that the unit is operating. It is recommended the unit run continuously to provide the full benefits of particulate removal from your home.

#### ANNUAL CHECK-UP

As each home has differences of size, occupancy, location, infiltration rates and homeowner needs, it is hard to estimate when the collectors will need to be changed.

Because of the way air moves through the TFP, the collectors are divided into 3 separate sections. Collectors 1 & 2, then 3 & 4 and then 5 & 6. Collectors 1 & 2 will need to be replaced before the others, then 3 & 4 and so on. You may want to change 1 & 2 again before 3 & 4 or 5 & 6.

The collectors will slide out. Some discoloration of the collector medium can be expected and when loose dust falls from the collector, it is time to replace it.

Turn the TFP, furnace fan and HRV off. Open the door and slide out the collectors to check buildup and do an annual inspection of overall unit. Before replacing any collectors, vacuum any dust inside the cabinet or surrounding area. **When replacing the collectors, make sure the pleats are horizontal when sliding collectors back into the TFP.** Close the door and restart TFP, furnace and HRV fan.

When your TFP is installed with a forced air heating system you are still required to use the recommended furnace filter. This may be a good time to inspect this filter as well.

When new collectors are required, call your Lifebreath dealer.



511 McCormick Blvd.  
London, Ontario N5W 4C8  
T (519) 457-1904  
F (519) 457-1676  
Email: [nutech@lifebreath.com](mailto:nutech@lifebreath.com)

270 Regency Ridge, Suite 210  
Dayton, Ohio 45459  
T (937) 439-6676  
F (937) 439-6685  
Website: [www.lifebreath.com](http://www.lifebreath.com)



## Free Manuals Download Website

<http://myh66.com>

<http://usermanuals.us>

<http://www.somanuals.com>

<http://www.4manuals.cc>

<http://www.manual-lib.com>

<http://www.404manual.com>

<http://www.luxmanual.com>

<http://aubethermostatmanual.com>

Golf course search by state

<http://golfingnear.com>

Email search by domain

<http://emailbydomain.com>

Auto manuals search

<http://auto.somanuals.com>

TV manuals search

<http://tv.somanuals.com>