

 **LIGHTNING AUDIO**®

A Division of  **Rockford** CORPORATION. *Excessive Sound. Excessive Lifestyle.*



B4.TWT.TK  
B4.40.2TK  
B4.65.2TK  
B4.69.2TK

**FULL RANGE SPEAKERS**

# FULL RANGE SPEAKERS

- ⚠ CAUTION:** Before installation, disconnect the battery negative (-) terminal to prevent damage to the unit, fire and/or possible injury.
- ⚠ MISE EN GARDE :** avant d'entamer l'installation, déconnectez la broche négative (-) de la batterie pour éviter tout risque de blessures, d'incendie ou de dommages à l'appareil.
- ⚠ PRECAUCIÓN:** Antes de la instalación, desconecte el terminal negativo de la batería (-) para prevenir daño a la unidad, incendio y/o posibles lesiones.
- ⚠ VORSICHT:** Entfernen Sie vor dem Einbau den negative Batteriepol, um Schäden am Gerät, Feuer bzw. mögliche Verletzungen zu vermeiden.
- ⚠ ATTENZIONE:** Prima dell'installazione, scollegate il terminale negativo (-) della batteria per evitare danni all'unità, pericoli d'incendio e/o potenziali lesioni personali.

## Installation — English

Since some of these Coaxial Speakers are most often used as direct replacements for stock speakers and are shipped without grilles, some of the following instructions will not apply. For custom installations see your Authorized Lightning Audio Dealer.

1. Determine where the speakers will be mounted. Ensure an area large enough for the speaker to mount evenly. Be sure that the mounting location is deep enough for the speaker to fit; if mounting in a door, operate all functions (windows, locks, etc.) through their entire operating range to ensure there will be no interference from the speaker.
2. Refer to the specification chart to determine the proper diameter hole to cut for your speaker model.
3. Using the plastic mounting ring as a template, mark the locations for the mounting screws. Drill the holes with a 1/8" bit.
4. Feed the speaker wires through the cutout and connect to the speaker terminals. Be sure to observe proper polarity when connecting the wires. The speaker's positive terminal is indicated with a "+".
5. Fit the ring and speaker to the cutout. Mount them using the enclosed screws. Fit the grille over the ring and press gently, but firmly, into place.

## Installation — Français

Comme certains de ces haut-parleurs sont souvent utilisés directement en remplacement des haut-parleurs d'origine et sont livrés sans grilles certaines des recommandations suivantes ne s'appliqueront pas. Pour des installations personnalisées voyez votre dealer agréé Lightning Audio.

1. Déterminer l'endroit où le haut-parleur sera monté. Assurez-vous que cet endroit est suffisamment large et profond pour monter le haut-parleur de manière équilibrée. Si le haut-parleur est monté dans une porte assurez-vous que toutes les commodités de la porte fonctionnent complètement et correctement sans que le haut-parleur ne leur fasse obstruction (lève-vitre, verrouillage, etc.).
2. Reportez-vous au tableau des spécifications techniques pour déterminer le bon diamètre de coupe du trou destiné au haut-parleur.
3. Utilisez l'anneau en plastique comme modèle et localisez l'emplacement des vis. Préforez les trous avec une mèche de 3 mm.

4. Faites passer les fils de connexion au travers du trou et de l'anneau en plastique et connectez les aux bornes du haut-parleur. Veuillez à bien observer les polarités. La borne positive du haut-parleur est marqué avec un point.
5. Fixez l'anneau et le haut-parleur autour du trou avec les vis livrées. Adaptez le grill au-dessus de l'anneau et de la pression doucement, mais fermement, dans l'endroit.

## Instalación — Español

La mayoría de estos altavoces se usan principalmente como reemplazo directo de los altavoces de origen del vehículo y no vienen equipados con rejillas, por lo que algunas de las siguientes instrucciones no serán aplicables. Para una instalación personalizada consulte a su distribuidor autorizado Lightning Audio.

1. Determine donde han de montarse los altavoces. Asegúrese de que hay espacio suficiente tanto de área como de profundidad para alojar el altavoz. Si el montaje es en una puerta, todas las funciones han de ser respetadas (alzacristales, cierres, etc.).
2. Consulte la hoja de características para determinar el diámetro del agujero a realizar para su modelo de altavoz.
3. Use los anillos de montaje de plástico como plantilla. Marque la posición de los tornillos de anclaje.
4. Pase el cable de altavoz a través del anillo de plástico y conéctelo a los terminales del altavoz. Observe la polaridad. El terminal positivo está marcado con un punto.
5. Ajuste el anillo y el altavoz al orificio. Móntelo utilizando los tornillos suministrados. Quepa la parrilla sobre el anillo y la prensa suavemente, pero firmemente, en lugar.

## Einbau — Deutsch

Da einige Vollbereichslautsprecher als direkter Ersatz, für die vom Hersteller mitgelieferten Lautsprecher dienen, treffen einige Punkte dieser Bedienungsanleitung evtl auf Sie nicht zu. Bei Rückfragen wenden Sie sich bitte an Ihren Lightning Audio.

1. Legen Sie den Einbauort des Lautsprechers fest. Seien Sie sicher, daß die Lautsprecher auf beiden Seiten passen. Stellen Sie fest, ob genug Einbautiefe vorhanden ist. Beim Einbau in die Tür sollten Sie sich vergewissern, daß keine Funktion der Tür beeinträchtigt wird.

2. Sie finden unter "Specification" die richtigen Masse für den Ausschnitt.
3. Benutzen Sie ein Einbauring als Schnittvorlage und markieren Sie die Löcher für die Befestigungsschrauben. Bohren Sie dann dafür die passenden Löcher.
4. Führen Sie die Lautsprecherkabel durch die Öffnung und durch den Montagerring und klemmen Sie dann den Lautsprecher den. Positiv ist mit einem farbigen Punkt markiert.
5. Montieren Sie nun den Montagerring und den Lautsprecher mit den mitgelieferten Schrauben. Passen Sie den Grill über dem Ring und der Presse leicht, aber fest, in Platz.

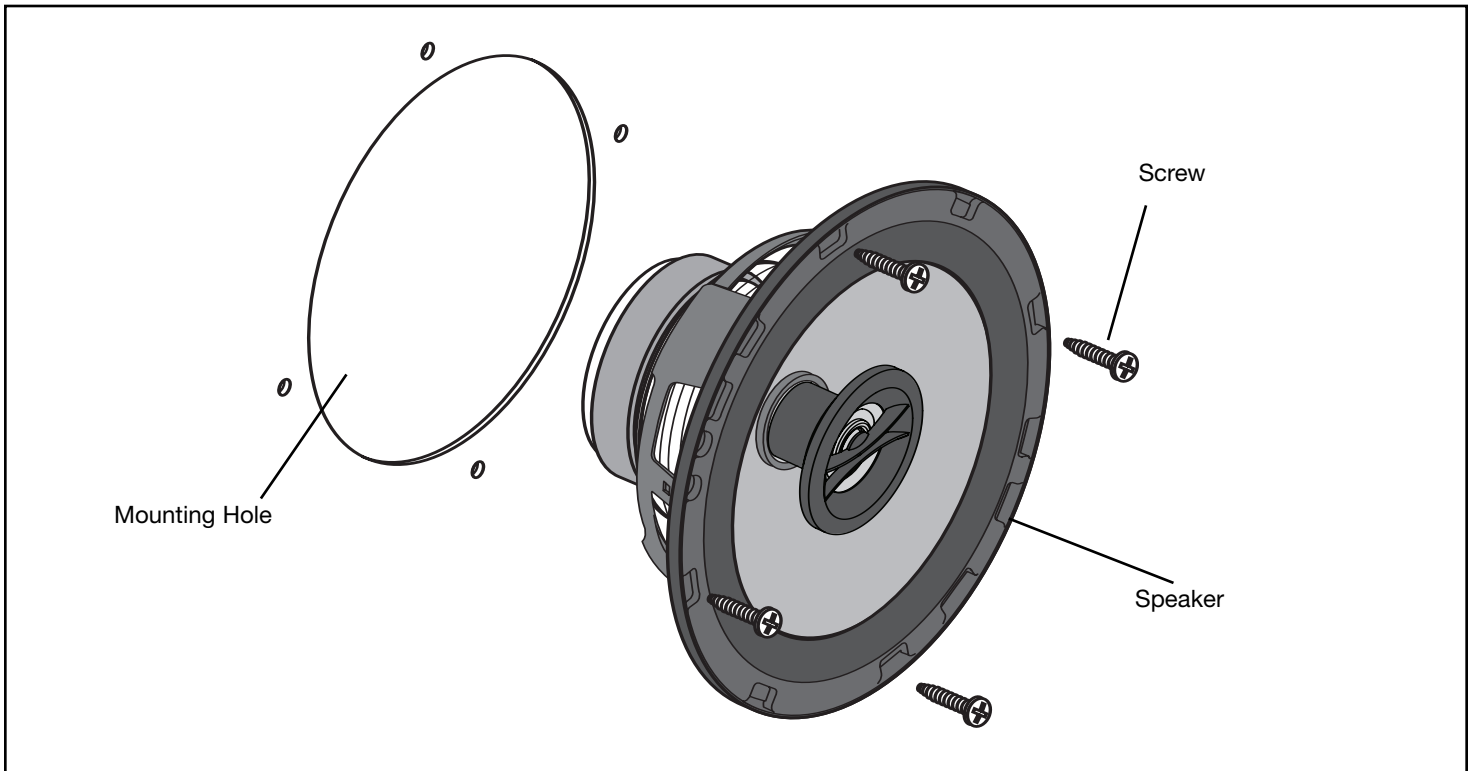
## Installazione — Italiano

Essendo gli altoparlanti a gamma estesa normalmente impiegati negli alloggiamenti previsti dai costruttori delle auto ed essendo spediti senza griglie, alcune delle indicazioni seguenti potrebbero non adattarsi al Vostro caso. Per installazioni personalizzate contattate il Vostro installatore autorizzato Lightning Audio.

1. Determinate la zona in cui installare gli altoparlanti. Assicuratevi che lo spazio sia sufficiente ad un corretto posizionamento. Assicuratevi anche che la profondità sia sufficiente. Se l'installazione avviene in una porta, controllate che tutte le parti meccaniche (meccanismi dei vetri e chiusure centralizzate) possano funzionare nell'intero loro arco operativo.
2. Fate riferimento alla tabella con le specifiche tecniche per determinare il diametro del foro da praticare.
3. Impiegate l'anello in plastica di supporto della griglia come dima per il posizionamento dei fori di fissaggio. Praticate fori da 3,5 mm.
4. Passate i cavi attraverso il foro e l'anello in plastica della griglia e collegateli all'altoparlante. Controllate la polarità (il positivo sull'altoparlante è indicato da un pallino).
5. Accostate l'anello e l'altoparlante al foro e, impiegando le viti a dotazione, fissate il tutto. Inserisca delicatamente, ma saldamente la griglia sopra l'anello e la pressa, nel posto.

# INSTALLATION REFERENCE

## INSTALLATION



## SPECIFICATIONS

Model- Lightning Audio	B4.TWT.TK	B4.40.2TK	B4.65.2TK	B4.69.2TK
Nominal Diameter (inch)	1	4	6.5	6 x 9
Description	Tweeter	2-way	2-way	3-way
Nominal Impedance ( $\Omega$ )	4	4	4	4
Frequency Response	1600Hz-20KHz	100Hz-20KHz	55Hz-20KHz	50Hz-20KHz
Sensitivity (SPL@1w/1m)	91dB	87dB	90dB	90dB
Power (Watts RMS)	20	30	40	70
Power (Watts Maximum)	60	90	120	210
<b>Features</b>				
Cone	Kapton	Polypropylene	Polypropylene	Polypropylene
Surround	—	Butyl Rubber	Butyl Rubber	Butyl Rubber
Tweeter	Ti + Silk	Polyethylene	Polyethylene	Polyethylene
<b>Installation</b>				
Mounting Diameter (inch)	—	3.72	5.70	6.00 x 8.70
Mounting Diameter (mm)	—	94.5	145	153 x 221
Mounting Depth (inch)	—	1.49	2.72	3.15
Mounting Depth (mm)	—	38	69	80

Check our website for updates on your products.

[www.LightningAudio.com](http://www.LightningAudio.com)

Download from [Www.Somanuals.com](http://Www.Somanuals.com). All Manuals Search And Download.

# LIMITED WARRANTY INFORMATION



Lightning Audio offers a limited warranty on products on the following terms:

- **Length of Warranty**

- **Speakers**

- One year parts and labor warranty. Requires proof of purchase.

- **Amplifiers**

- **Bolt:** One year parts and labor warranty. Requires proof of purchase.

- **Strike and Storm:** One year parts and labor warranty. Requires proof of purchase.

- Or, Two years parts and labor warranty if installed by a Authorized Dealer. Requires proof of purchase.

- **CT1, FM1, PC1 and CS1**

- One year parts and labor warranty. Requires proof of purchase.

- **What is Covered**

This warranty applies only to Lightning Audio products sold to consumers by Authorized Lightning Audio Dealers in the United States of America or its possessions. Product purchased by consumers from an Authorized Lightning Audio Dealer in another country are covered only by that country's Distributor and not by Lightning Audio.

- **Who is Covered**

This warranty covers only the original purchaser of Lightning Audio product purchased from an Authorized Lightning Audio Dealer in the United States. In order to receive service, the purchaser must provide Lightning Audio with a copy of the receipt stating the customer name, dealer name, product purchased and date of purchase.

- **Products found to be defective** during the warranty period will be repaired or replaced (with a product deemed to be equivalent) at Lightning Audio's discretion.

- **What is Not Covered**

1. Damage caused by accident, abuse, improper operations, water, theft
2. Any cost or expense related to the removal or reinstallation of product
3. Service performed by anyone other than Lightning Audio or an Authorized Lightning Audio Service Center
4. Any product which has had the serial number defaced, altered, or removed
5. Subsequent damage to other components
6. Any product purchased outside the U.S.
7. Any product not purchased from an Authorized Lightning Audio Dealer

- **Limit on Implied Warranties**

Any implied warranties including warranties of fitness for use and merchantability are limited in duration to the period of the express warranty set forth above. Some states do not allow limitations on the length of an implied warranty, so this limitation may not apply. No person is authorized to assume for Lightning Audio any other liability in connection with the sale of the product.

- **How to Obtain Service**

Please call 1-888-881-8186 for Lightning Audio Customer Service. You must obtain an RA# (Return Authorization number) to return any product to Lightning Audio. You are responsible for shipment of product to Lightning Audio. Always include Proof of Purchase. Mark RA# on outside of shipping carton.

- **EU Warranty**

This product meets the current EU warranty requirements, see your Authorized dealer for details.

Ship to: **Electronics**  
Lightning Audio  
Warranty Repair Department  
2055 E. 5th Street  
Tempe, AZ 85281  
RA#: \_\_\_\_\_

Ship to: **Speakers**  
Lightning Audio  
Speaker Returns  
3056 Walker Ridge Dr. Suite G.  
Walker, MI 49544  
RA#: \_\_\_\_\_

## Free Manuals Download Website

<http://myh66.com>

<http://usermanuals.us>

<http://www.somanuals.com>

<http://www.4manuals.cc>

<http://www.manual-lib.com>

<http://www.404manual.com>

<http://www.luxmanual.com>

<http://aubethermostatmanual.com>

Golf course search by state

<http://golfingnear.com>

Email search by domain

<http://emailbydomain.com>

Auto manuals search

<http://auto.somanuals.com>

TV manuals search

<http://tv.somanuals.com>