

INSTRUCTIONS FOR ASSEMBLING AND INSTALLING FIXTURE**READ AND UNDERSTAND THESE INSTRUCTIONS BEFORE INSTALLING FIXTURE.**

This fixture is intended for installation in accordance with the National Electrical Code and local regulations. To assure full compliance with local codes and regulations, check with your local electrical inspector before installation. To prevent electrical shock, turn off electricity at fuse box before proceeding.

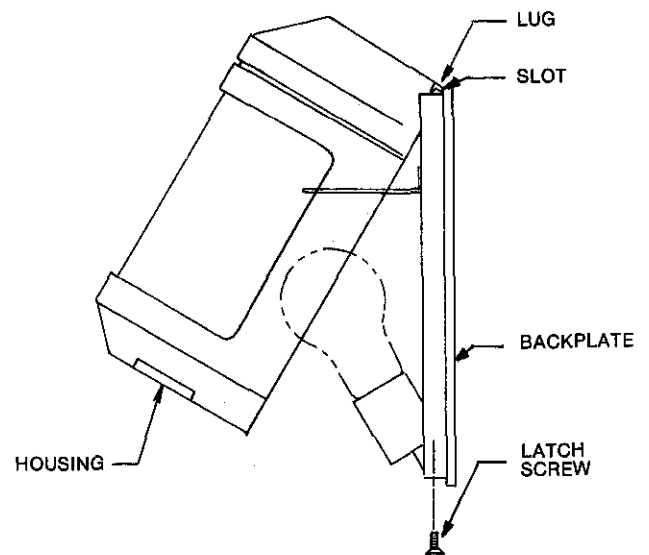
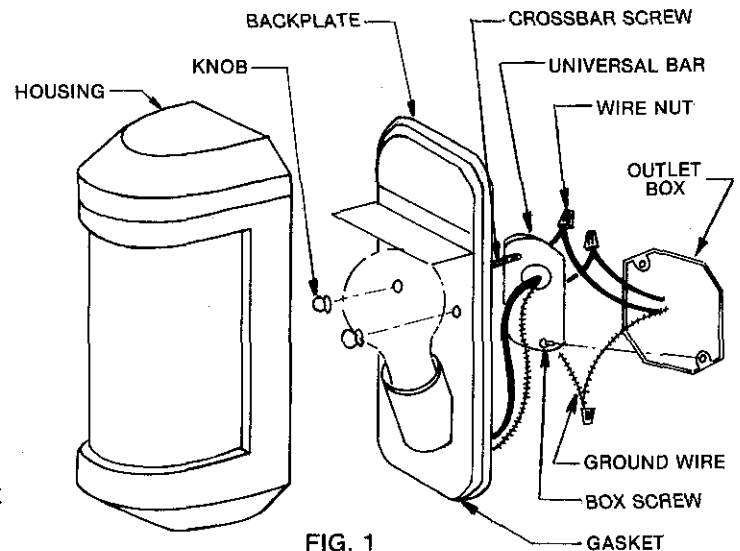
Retain these instructions for maintenance reference.

CAUTION: FOR WET LOCATIONS, IN ACCORDANCE WITH UNDERWRITERS LABORATORIES REQUIREMENTS, A LINE OF CAULKING COMPOUND SUCH AS ACRYLIC LATEX OR BUTYL MUST BE PLACED AROUND THE BACK OF THE FIXTURE OR AROUND THE GASKET IN ORDER TO SEAL OUT WATER.

1. Disassemble fixture by removing LATCH SCREW (visible at bottom). HOUSING "hinges" up for removal. See Fig. 2.
2. Thread CROSSBAR SCREWS into UNIVERSAL BAR. Attach UNIVERSAL BAR to OUTLET BOX using OUTLET BOX SCREWS.
3. Make connections: Black fixture lead or fixture lead without tracer mark to black supply lead; white fixture lead or fixture lead with tracer mark to white supply lead. Uninsulated wire is a GROUND WIRE and must be connected to grounding terminal or ground wire in OUTLET BOX. Use WIRE NUTS (local hardware item). Place connections in OUTLET BOX. See Fig. 1.
4. Secure BACKPLATE by placing over CROSSBAR SCREWS and threading KNOBS tightly against BACKPLATE. BACKPLATE must be mounted with SOCKET at bottom.
5. Mount diffuser HOUSING to BACKPLATE by tilting HOUSING to insert LUG into SLOT of BACK PLATE. Swing HOUSING into position, seating against GASKET. See Fig. 2.
6. Press HOUSING into alignment against GASKET and secure with LATCH SCREW. See Fig. 2.

NOTE: Allen-head set screw supplied in parts bag can be used instead of LATCH SCREW to make fixture tamper-resistant.

CAUTION: MAXIMUM WATTAGE AS MARKED ON FIXTURE MUST NOT BE EXCEEDED.



Free Manuals Download Website

<http://myh66.com>

<http://usermanuals.us>

<http://www.somanuals.com>

<http://www.4manuals.cc>

<http://www.manual-lib.com>

<http://www.404manual.com>

<http://www.luxmanual.com>

<http://aubethermostatmanual.com>

Golf course search by state

<http://golfingnear.com>

Email search by domain

<http://emailbydomain.com>

Auto manuals search

<http://auto.somanuals.com>

TV manuals search

<http://tv.somanuals.com>