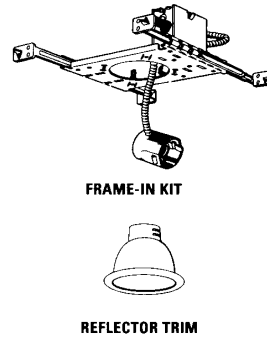
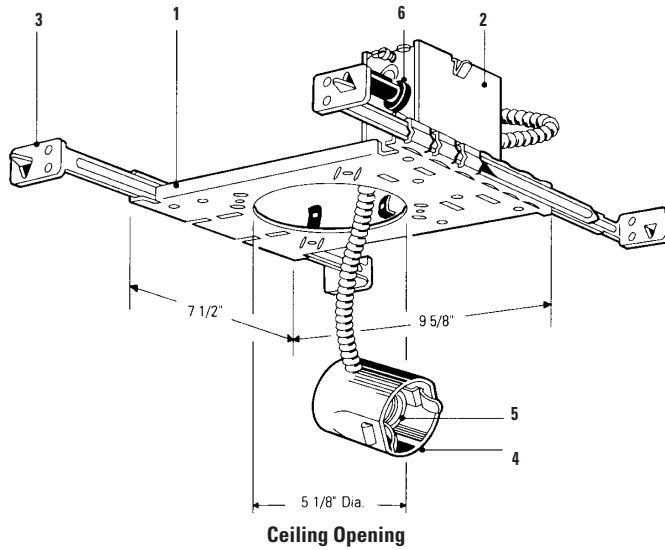


# LIGHTOLIER® Lytecaster Recessed Downlighting 1002P1

Page 1 of 1

5" Aperture Incandescent Standard Frame-In Kit



Complete fixture consists of reflector trim & frame-in kit. Select each separately.

| Frame-In Kit | Reflector Trims — See Individual Reflector Trim Specification Sheets |            |         |             |         |            |          |        |                    |             |                   |
|--------------|--|------------|---------|-------------|---------|------------|----------|--------|--------------------|-------------|-------------------|
|              | Open Downlight   |            |         |             |         |            | Recessed |        | Enclosed Diffusers | Wall Washer | Open Wet Location |
| Reflector    | Cone   | Satin Cone | Baffles | Basic White | Pinhole | Adjustable | Eyeball  |        |                    |             |                   |
| 1002P1       | 1045   | 1012       | 1008    | 1005        | 1071    | 1011       | 1027     | 1023   | 1024               | 1035        | 1084CD            |
|              | 1046   | 1012NM     | 1008NM  | 1005WH      |         |            | 1027BK   | 1023WH | 1078               | 1035WH      | 1084WH            |
|              | 1046CD   | 1013       | 1010    | 1005NM      |         |            | 1027WH   | 1082   | 1090               | 1085        |                   |
|              |  | 1013NM     | 1010NM  | 1005BNM     |         |            | 1027CD   | 1022   | 1021               | 1095        |                   |
|              |  | 1013BK     |         | 1076        |         |            | 1027NM   | 1022WH |                    | 1096        |                   |
|              |  | 1013BKNM   |         | 1076WH      |         |            | 1027BNM  |        |                    | 1096CD      |                   |
|              |  | 1013CD     |         |             |         |            | 1027BKNM |        |                    |             |                   |
|              |  | 1013CDNM   |         |             |         |            | 1027CDNM |        |                    |             |                   |
|              |  |            |         |             |         |            | 1038     |        |                    |             |                   |
|              |  |            |         |             |         |            | 1038NM   |        |                    |             |                   |
|              |  |            |         |             |         | 1048       |          |        |                    |             |                   |
|              |  |            |         |             |         | 1048NM     |          |        |                    |             |                   |

## Features

- Mounting Frame:** .036" (#20 ga.) galvanized steel. Accommodates all ceilings up to 1" thick. Four slots are positioned 90° apart to simplify alignment. Push-in/twist-out rotoclips hold reflector flush to ceiling.
- Junction Box:** 4" x 3 1/2" x 2"; .063" (#14 ga.) galvanized steel. U.L. listed for maximum of 8 No. 12 ga. 75° C through branch circuit conductors (60° C end of run). Integral cable clamps permit attachment of nonmetallic Romex® or armored cable without need of additional connectors.
- Mounting Bars:** .059" (#16 ga.) galvanized steel. 13" long bars extend to 27" with integral nailing tabs. Attaches to wood joist without need of accessories.
- Socket Housing:** Impact extruded aluminum or galvanized steel.
- Socket:** Porcelain medium base; nickel plated screw shell. Pre-wired with #18 ga. SF1 leads to junction box.
- Thermal Protector:** Meets NEC and UL requirements. Insulation must be kept 3" away from fixture sides and wiring compartments and must not be placed above fixture in a manner which will entrap heat.

## Options & Accessories

- Mounting Bars:** 1964 - 20" set of (2)  
**T-Bar Anchor Clips:** 1956 - set of (4)  
**Plaster Ceiling Ring:** 1960 - 7/8" depth for wet plaster ceilings.  
**Extra-Thick Ceiling Mounting Ring:** 1967B - up to 2" thick ceilings.  
**277V Remote Step-Down Transformer:** 7997 - 277V down to 120V 300W max. load.

## Options & Accessories (continued)

- Remodeler Anchor Clip:** 1985N  
**Conversion Kit:** 1910CKU - Reference conversion kit specification sheet for trim and lamp options.

## Labels

UL (Suitable for Damp Locations), I.B.E.W.;

Romex® is a registered trademark of General Cable Industries Inc.

US Patent No's.: 5,045,985

| Job Information  | Type: |
|------------------|-------|
| <b>Job Name:</b> |       |
| <b>Cat. No.:</b> |       |
| <b>Lamp(s):</b>  |       |
| <b>Notes:</b>    |       |

631 Airport Road, Fall River, MA 02720 • (508) 679-8131 • Fax (508) 674-4710  
 We reserve the right to change details of design, materials and finish.  
 www.lightolier.com © 2008 Philips Group • 11008

## Free Manuals Download Website

<http://myh66.com>

<http://usermanuals.us>

<http://www.somanuals.com>

<http://www.4manuals.cc>

<http://www.manual-lib.com>

<http://www.404manual.com>

<http://www.luxmanual.com>

<http://aubethermostatmanual.com>

Golf course search by state

<http://golfingnear.com>

Email search by domain

<http://emailbydomain.com>

Auto manuals search

<http://auto.somanuals.com>

TV manuals search

<http://tv.somanuals.com>