

READ AND UNDERSTAND THESE INSTRUCTIONS BEFORE INSTALLING FIXTURE

This fixture is intended for installation in accordance with the National Electrical Code and local regulations. To assure full compliance with local codes and regulations, check with your local electrical inspector before installation. To prevent electrical shock, turn off electricity at fuse box before proceeding.

Retain these instructions for maintenance reference.

INSTRUCTION SHEET NO.

IS:1104ICN

C1204

Page 1 of 2

**INSTALLATION PROCEDURE FOR CONVERTIBLE IC/NON IC
FRAME-IN-KITS 1004ICN, 1004SICN, 1104ICN, 1104SICN**

NEW CONSTRUCTION

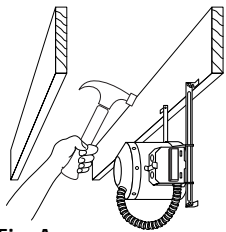


Fig. A
Frame-In

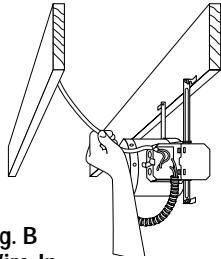


Fig. B
Wire-In

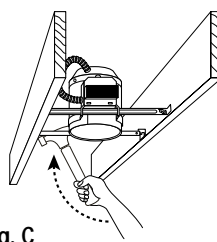


Fig. C
Swing-Up



Fig. D
Close-In

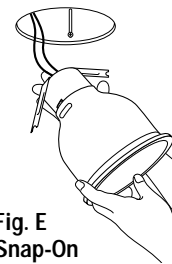


Fig. E
Snap-On

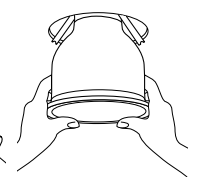
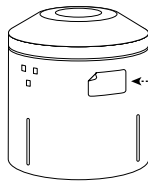


Fig. F
Push-Up

For IC Installations:

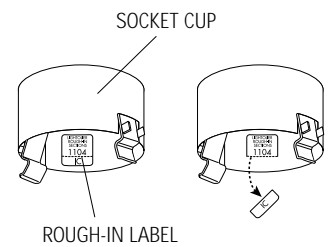
Remove the peel off label on the outside of the housing section.



CONVERTIBLE IC/NON-IC HOUSING
IC APPLICATIONS: REMOVE THIS WARNING LABEL. SEE INSTRUCTION SHEET.
NON-IC APPLICATIONS:
WARNING - RISK OF FIRE
DO NOT INSTALL INSULATION WITHIN 3 INCHES OF FIXTURE SIDE OR WIRING COMPARTMENT NOR ABOVE FIXTURE IN SUCH A MANNER TO ENTRAP HEAT.

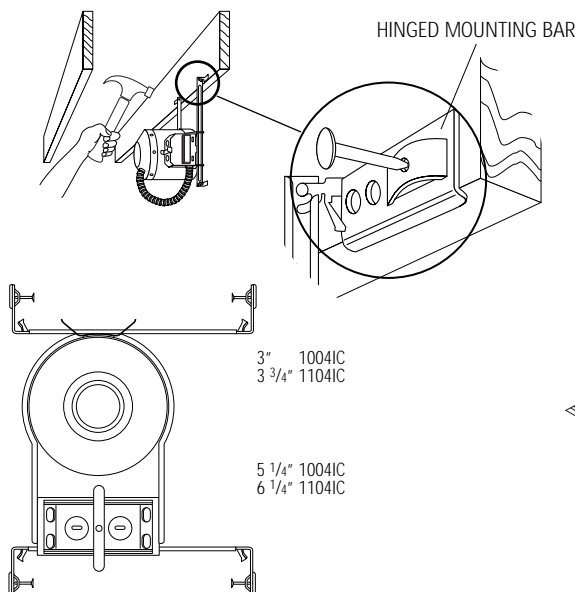
For Non-IC Installations:

Remove the lower portion of the ROUGH-IN LABEL as shown. Non-IC rough-in sections are listed for higher wattage lamps.



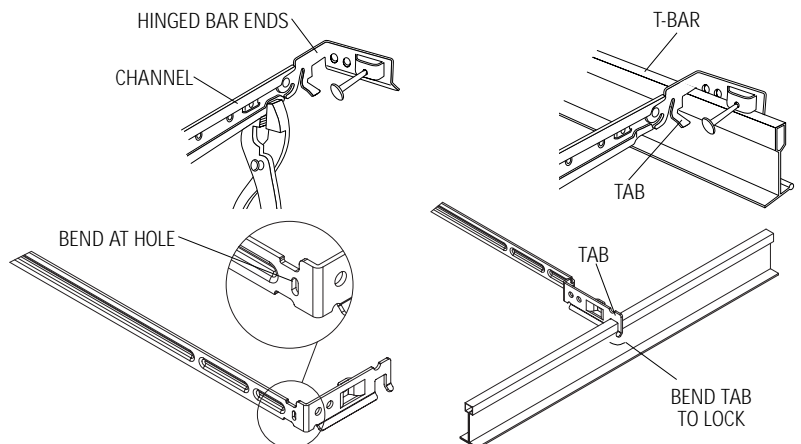
1. FRAME-IN (Fig. A)

Locate fixture along joist and line up bottom edge of HINGED MOUNTING BAR with the bottom of joist and fasten in place.



For suspended ceilings:

- Rotate HINGED BAR ENDS to position shown and fully extend bars.
- Crimp bottom of edge of CHANNEL to prevent rotation of HINGED BAR ENDS.
- Bend NON-HINGED end of mounting bar at featured hole location and extend out.
- Position notched area of MOUNTING BARS onto T-BAR and lock by bending TAB underneath T-BAR BEAD as shown.



LIGHTOLIER®

LIGHTOLIER a GENLYTE company.

631 Airport Road, Fall River, MA 02720

READ AND UNDERSTAND THESE INSTRUCTIONS BEFORE INSTALLING FIXTURE

This fixture is intended for installation in accordance with the National Electrical Code and local regulations. To assure full compliance with local codes and regulations, check with your local electrical inspector before installation. To prevent electrical shock, turn off electricity at fuse box before proceeding.

Retain these instructions for maintenance reference.

INSTRUCTION SHEET NO.

IS:1104ICN

C1204

Page 2 of 2

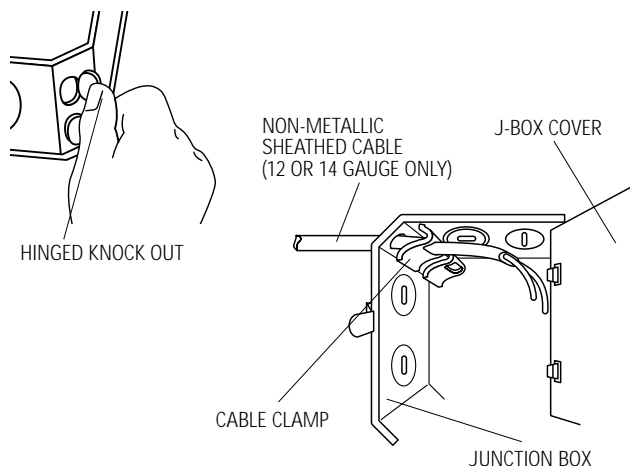
2. WIRE-IN (Fig. B)

Open hinged J-BOX COVER fully to its locked position (lift slightly to unlock).

Open hinged KNOCK OUT to allow NON-METALLIC CABLE to enter JUNCTION BOX. Push CABLE through CLAMP.

Note: Wiring and connections must not be placed in JUNCTION BOX in a manner which will interfere with the CLAMPS action to provide strain relief.

Wire to SUPPLY LEADS. WHITE FIXTURE LEAD to NEUTRAL SUPPLY LEAD. BLACK FIXTURE LEAD to HOT (120V) SUPPLY LEAD. BARE FIXTURE WIRE to SUPPLY GROUND. Use wirenuts (local hardware item). Place all electrical connections in the J-BOX and close the J-BOX COVER.

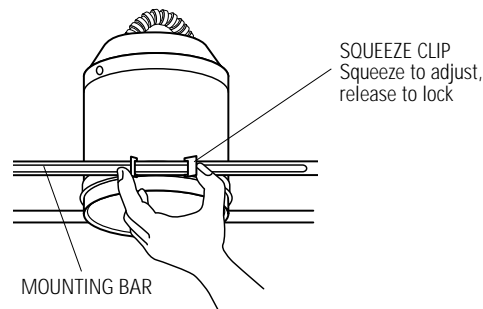


3. SWING-UP (Fig. C)

Extend MOUNTING BAR to reach opposite joist and fasten in place. Adjust to desired position along MOUNTING BAR and lock in place.

4. CLOSE-IN (Fig. D)

Install plasterboard or other dry type ceiling. Hole in board can be cut either on the floor or after the board is secured to the ceiling using HOUSING opening as cutting guide. HOUSING is secured by 3 screws which allow adjustment for variable ceiling thicknesses.

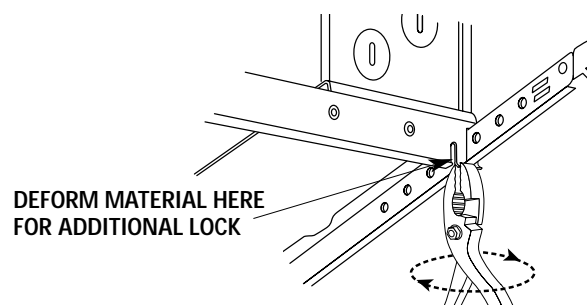


5. AIRSEAL® INSTALLATION (optional)

Option 1: Install LAS56 Flange Gasket Kit (available separately).

Option 2: Install a bead of silicone caulking compound between the ceiling opening and edge of HOUSING. Housings are tested in accordance with ASTM E 283 (max 2 cfm @ 75 pa) and comply with WSEC & MEC when installed as instructed.

NOTE: If factory installed tape or knockouts are removed from vertical adjustment slots in housing wall install LAS56 Flange Gasket Kit (available separately).



6. SNAP-ON (Fig. E)

Important - Insert SOCKET CUP in neck of REFLECTOR making sure SPRING TABS fully engage into SLOTS in REFLECTOR.

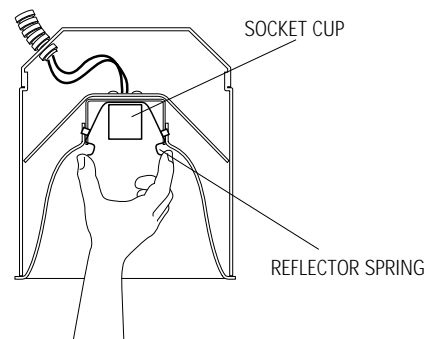
} SEE SEPARATE REFLECTOR TRIM INSTRUCTION SHEETS

7. PUSH-UP (Fig. F)

Push REFLECTOR TRIM straight up until it is tight against ceiling.

To remove TRIM:

- Turn off power to fixture
- Remove lamp
- Squeeze REFLECTOR SPRING from inside until the TRIM disengages.
- To retrieve SOCKET CUP, pull on one of the SOCKET SPRING LEGS to disengage.



U.S. AND FOREIGN PATENTS PENDING

LIGHTOLIER®

LIGHTOLIER a GENLYTE company.

631 Airport Road, Fall River, MA 02720

Free Manuals Download Website

<http://myh66.com>

<http://usermanuals.us>

<http://www.somanuals.com>

<http://www.4manuals.cc>

<http://www.manual-lib.com>

<http://www.404manual.com>

<http://www.luxmanual.com>

<http://aubethermostatmanual.com>

Golf course search by state

<http://golfingnear.com>

Email search by domain

<http://emailbydomain.com>

Auto manuals search

<http://auto.somanuals.com>

TV manuals search

<http://tv.somanuals.com>