

**READ AND UNDERSTAND THESE INSTRUCTIONS BEFORE INSTALLING THE LUMINAIRE.**

This fixture is intended for installation in accordance with the National Electrical Code and local regulations.  
 To assure full compliance with local codes and regulations, check with your local electrical inspector before installation.  
 To prevent electrical shock, turn off electricity at fuse box before proceeding.  
 Retain these instructions for maintenance reference.

**INSTALLATION PROCEDURE FOR: Lytecaster® 1050 Series Trims**

1050RN Series Trims for use with 1050RN and 1050DRN Frame-in Kits only. 1050SQ Series Trims for use with 1050SQ and 1050DSQ Frame-in Kits only.

**CAUTION: USE ONLY WITH FRAME-IN KITS PROVIDED BY LIGHTOLIER. USE OF OTHER MANUFACTURERS FRAME-IN KITS MAY VOID THE UNDERWRITERS LABORATORIES LISTING AND COULD CONSTITUTE A FIRE HAZARD.**

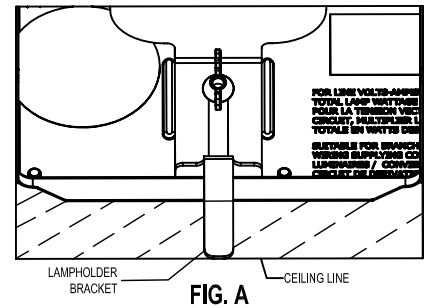
**CAUTION: BEFORE INSTALLING REFLECTOR TO FRAME-IN KIT, READ ALL MARKINGS ON REFLECTOR AND ON FRAME-IN KIT TO DETERMINE LAMP WATTAGE AND TYPE APPLICABLE FOR YOUR INSTALLATION.**

**1. FRAME-IN KIT INSTALLATION:**

See Frame-In Kit Instruction Sheet for installation procedure.

**2. ALIGN LAMPHOLDER BRACKET (FIG. A)**

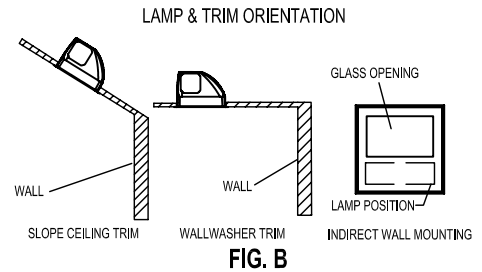
ALIGN SOCKET/ LAMPHOLDER BRACKET to desired lamp position. For proper trim installation, line up bottom edge of LAMPHOLDER BRACKET approximately 1/16in above ceiling line (for ceilings ≤ 1.5 thick).



**NOTE:** For WALLWASHER /WALLMOUNT trims, adjust LAMPHOLDER BRACKET so that it is parallel to wall/ surface being washed and adjust upper portion of LAMPHOLDER BRACKET to side position farthest from wall/ surface being washed. For WALLMOUNT trims, always adjust LAMPHOLDER BRACKET to position lamp behind solid section of WALLMOUNT trim as shown (FIG B). WALLMOUNT trim may be rotated 180° for use as a step marker.

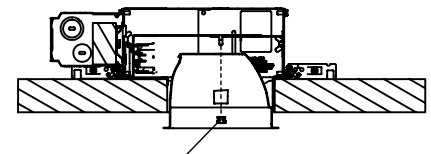
**3. SECURE REFLECTOR: (FIG. C)**

Remove KNURLED NUT on THREADED STUD attached to LAMPHOLDER BRACKET. Remove reflector from LOWER TRIM ASSEMBLY and insert into FRAME-IN KIT aperture hole. THREADED STUD will line up with hole detail on top of REFLECTOR and will be seated flush with ceiling line. Resecure KNURLED NUT to THREADED STUD, securing REFLECTOR to ceiling.



**4. LAMPING: NEW TWIST & LOCK SOCKET**

**FRAME-IN KIT is equipped with a TWIST AND LOCK SOCKET. To secure lamp inside socket, insert lamp into socket and turn clockwise 1/8 of a turn. Lamp should "click" when secure.**



**5. SECURE LOWER TRIM SECTION: (FIG.D)**

LOWER TRIM attaches to REFLECTOR through slots provided. Insert TRIM SPRINGS into slots in REFLECTOR. Push LOWER TRIM straight up until it is tight against ceiling. Airseal is achieved with LOWER TRIM SECTION attached to FRAME-IN KIT.

FIG. C

**6. RELAMPING:**

For relamping, pull down the LOWER TRIM ASSEMBLY from the REFLECTOR. The LOWER TRIM ASSEMBLY will cease to move downward when TRIM SPRINGS grasp hole detail on REFLECTOR. LOWER TRIM ASSEMBLY can be removed from REFLECTOR by fully compressing TRIM SPRINGS and removing from hole details in REFLECTOR.

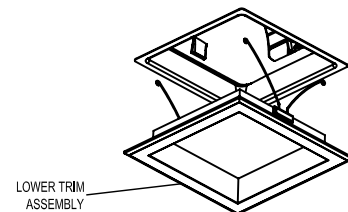


FIG. D

## Free Manuals Download Website

<http://myh66.com>

<http://usermanuals.us>

<http://www.somanuals.com>

<http://www.4manuals.cc>

<http://www.manual-lib.com>

<http://www.404manual.com>

<http://www.luxmanual.com>

<http://aubethermostatmanual.com>

Golf course search by state

<http://golfingnear.com>

Email search by domain

<http://emailbydomain.com>

Auto manuals search

<http://auto.somanuals.com>

TV manuals search

<http://tv.somanuals.com>