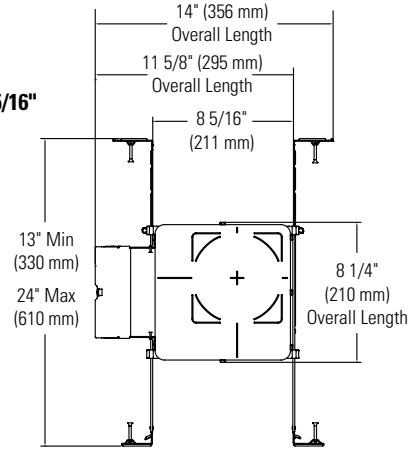




Height = 3 1/2"
(89 mm)
Aperture Opening = 5 5/16" x 5 5/16"
(135 mm x 135 mm)
Top View



Complete Fixture consists of Frame-In Kit and Reflector Trim. Select each separately.

Xceed Frame-In Kit	Xceed Compact Fluorescent Lensed Square Reflector Trims		
	Lensed Downlight	Lensed Slope/Wall Wash	Lensed Indirect
1050DSQ26ES* (Energy Star® - 120v) 26w Triple GX24q-3 Base 120v - 0.23 amp max	1050SQDLWB 1050SQDLCDW 1050SQDLCDP 1050SQDLWDW 1050SQDLWDP	1050SQSLWWB 1050SQSLWCDW 1050SQSLWCDP 1050SQSLWDDW 1050SQSLWDDP	1050SQINFBW  

*All frames come standard with preset mounting screws and a 2700K lamp. Models are available with preset nails and/or a 3500K lamp. Simply add an N and/or 35 to the end of the model number for those options.

Features

- Housing:** .026" (#23ga.) galvanized steel. UL listed for direct contact with thermal insulation. **AirSeal®** housing minimizes air leakage to less than 2 CFM at 1.57PSF (or 75Pa), which complies with **Title 24**, the International Energy Conservation Code, and Washington State Energy Code (Section 502.4). This reduces heat loss and condensation in ceiling. Access door for inspection of junction box.
- Lower Frame and Top Cover:** .026" (#23 ga.) galvanized steel. Accommodates ceilings up to 1 1/2" thick. 3/8" deep integral lip with four notches at 90 degrees apart to simplify alignment. Locks into position along length of mounting bars with locking screws. Indicator lines on housing top and sides to simplify alignment.
- Junction Box:** 2.5" X 5 3/8" X 2" (27 cu. in.) .032" (#21 ga.) galvanized steel. UL listed 90°C supply conductors. Rated for branch circuit wiring supplying connected luminaires (daisy chaining).
- Mounting Bars:** .059" (#16 ga.) galvanized steel. Bars pivot for easy attachment and wire-in below ceiling line. Bars extend to accommodate 16" to 24" O.C. joist spacing. Bars can accommodate 12" O.C. Joist spacing after a slight field modification (see Instruction Sheet). Features integral self tapping phillips/square drive SCREWS for secure attachment to wood or metal construction. Also available with integral NAILS. Attaches to T-bar ceilings without the need of accessories. Bars installed on shortest dimension of frame, but can be easily repositioned 90 degrees from original position.
- Ballast:** Mounted inside Junction Box. 120V NPF Energy Star® approved Electronic Ballast. Instant start with end of lamp life protection, class "P" thermal protection with a class "A" sound rating. Ballast easily accessible for inspection.
- Socket:** NEW TWIST & LOCK Four-pin base, molded thermoplastic socket, prewired with No. 18AWM leads to ballast.
- Socket Bracket:** .048" (#18ga.) Galvanized Steel. Designed to be easily adjusted to accommodate 3/8" to 1 1/2" ceiling thickness. Three positions available for any installation orientation of Wall Washers Slope ceiling, or Wall mount application. Ensures Unitized optics. Reflector trim is secured to upper portion of socket bracket to ensure a tight to ceiling installation.

Recommended Dimmers (Neutral Required)

ITSEBAU: IntelliSight Occupancy Dimmer for AmbiStar Ballasts

OS600EBA: Onset Wall Box Dimmer 600VA for AmbiStar Ballasts

MSP600EBA: MultiSet Pro Dimmer 600VA for AmbiStar Ballasts

Please add the following letters to part number for color option:

W = White I = Ivory LA = Light Almond

Recommended Lamping

Lightolier recommends the following Philips lamps:

943272: PLT 26W – 2700K = PHILIPS #38440-4

943273: PLT 26W – 3500K = PHILIPS #26824-3

Labels

cULus Listed (Type I.C., Suitable for Damp Location), Complies with Air Leakage Requirements stated in the **Title 24**, the International Energy Conservation Code, and Washington State Energy Code. **AirSeal®** is a registered trademark of Lightolier.

Job Information

Type:

Job Name:

Cat. No.:

Lamp(s):

Notes:

631 Airport Road, Fall River, MA 02720 • (508) 679-8131 • Fax (508) 674-4710

We reserve the right to change details of design, materials and finish.

www.lightolier.com © 2008 Philips Group • D1208

Free Manuals Download Website

<http://myh66.com>

<http://usermanuals.us>

<http://www.somanuals.com>

<http://www.4manuals.cc>

<http://www.manual-lib.com>

<http://www.404manual.com>

<http://www.luxmanual.com>

<http://aubethermostatmanual.com>

Golf course search by state

<http://golfingnear.com>

Email search by domain

<http://emailbydomain.com>

Auto manuals search

<http://auto.somanuals.com>

TV manuals search

<http://tv.somanuals.com>