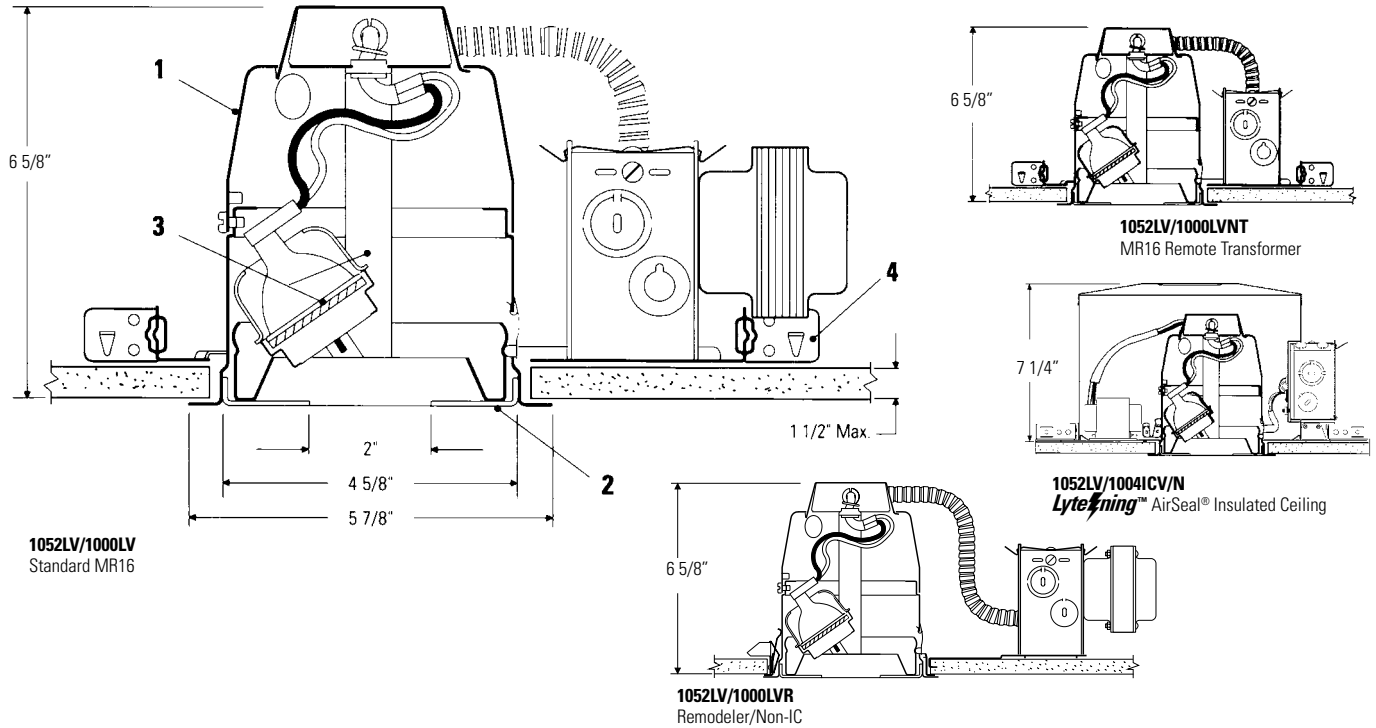




Lytecaster® Recessed Downlighting **1052LV**



Complete Fixture consists of Reflector Trim & Frame-In Kit. Select each separately.

Reflector Trim	Frame-In Kit — See Individual Frame-In Kit Specification Sheets			
	Low Voltage			
	Frame-In Kit	Installation Type	Lamping	Height
1052LV Matte White	1000LV	Non-IC	42W - 65W MR16	6 5/8"
	1000LVR	Non-IC Remodeler	42W - 65W MR16	6 5/8"
	1000LVNT	Non-IC Remote Trans.		6 5/8"
	1004ICV/N	AirSeal® IC	20W - 37W MR16	7 1/4"
	1000ICV	IC	20W - 35W MR16	7 5/16"
	1920LV	Conversion Kit	20W - 50W MR16	6 5/8"

Features

- Housing:** Hydroformed aluminum, .040" thick (18 ga.); matte white trim flange.
- Aperture Plate:** Die-formed, 20 ga. steel, matte white finish. Inner shield welded to aperture plate; matte black finish; cuts off glare at normal viewing angles.
- Support Ring Assembly:** Provides 358° horizontal rotation and 0° to 35° vertical adjustment. Matte white finish.
- Frame-In Kit:** (1000LV standard frame shown) Other frames listed above and shown on the right. See Frame-In Kit specification sheets for more details.

Options & Accessories

- Retaining Clips:** 1955 - For Installing in Existing Ceiling
Extra Wide Trim Flange: 1957 - 7" Outside diameter.
MR16 Replacement socket: 1975B

Labels

UL (Suitable for Damp Locations), I.B.E.W.

Job Information	Type:
Job Name:	
Cat. No.:	
Lamp(s):	
Notes:	

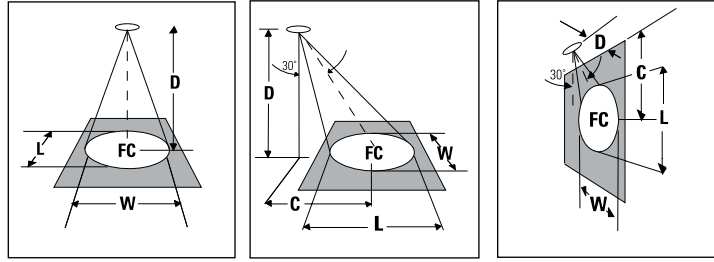
Lightolier a Genlyte company www.lightolier.com
 631 Airport Road, Fall River, MA 02720 • (508) 679-8131 • Fax (508) 674-4710
 We reserve the right to change details of design, materials and finish.
 © 2006 Genlyte Group LLC • G0906



ACCENT LIGHTING PERFORMANCE DATA UL

(FC) is initial footcandles at center of beam.
 Beam length (L) and beam width (W) are to where the candlepower is reduced to 50% of center beam candlepower.
CBCP is center beam candlepower.
 (C) is distance to the center of the beam.

Lamp data shown is typical, and is based on bare lamp photometrics. Contact lamp manufacturers for availability and performance.



Lamps	Beam Spread (To 50% CBCP)	CBCP	Rated Life (Hrs.)	0° AIMING ANGLE				30° AIMING ANGLE				30° AIMING ANGLE					
				D	FC	L	W	D	C	FC	L	W	D	C	FC	L	W
MR16 LOW VOLTAGE HALOGEN BI-PIN LAMPS																	
20W MR16 VNSP (EZ)	7°	8200	3000	7' 10' 13' 16'	167 82 49 32	0.9' 1.2' 1.6' 2.0'	0.9' 1.2' 1.6' 2.0'	6' 9' 12' 15'	3.5' 5.2' 6.9' 8.7'	148 66 37 24	1.0' 1.5' 2.0' 2.3'	0.8' 1.3' 1.7' 2.1'	2' 3' 4' 5'	3.5' 5.2' 6.9' 8.7'	256 114 64 41	1.0' 1.5' 2.0' 2.5'	0.5' 0.7' 1.0' 1.2'
20W MR16 NSP (ESX)	13°	3600	3000	6' 8' 10' 12'	100 56 36 25	1.4' 1.8' 2.3' 2.7'	1.4' 1.8' 2.3' 2.7'	5' 7' 9' 11'	2.9' 4.0' 5.2' 6.4'	94 48 29 19	1.5' 2.1' 2.7' 3.4'	1.3' 1.8' 2.4' 2.9'	2' 3' 4' 5'	3.5' 5.2' 6.9' 8.7'	113 50 28 18	1.9' 2.8' 3.8' 4.7'	0.9' 1.4' 1.8' 2.3'
20W MR16 FL (BAB)	40°	525	4000	2' 3' 4' 5'	131 58 33 21	1.5' 2.2' 2.9' 3.6'	1.5' 2.2' 2.9' 3.6'	2' 3' 4' 5'	1.2' 1.7' 2.3' 2.9'	85 38 21 14	2.0' 3.0' 4.1' 5.1'	1.7' 2.5' 3.4' 4.2'	1' 2' 3' 4'	1.7' 3.5' 5.2' 6.9'	66 16 7 4	4.8' 9.7' 14.5' 19.3'	1.5' 2.9' 4.4' 5.8'
35W MR16 NSP (FRB)	12°	8700	4000	7' 10' 13' 16'	178 87 51 34	1.5' 2.1' 2.7' 3.4'	1.5' 2.1' 2.7' 3.4'	6' 9' 12' 15'	3.5' 5.2' 6.9' 8.7'	157 70 39 25	1.7' 2.5' 3.4' 4.2'	1.5' 2.2' 2.9' 3.6'	2' 3' 4' 5'	3.5' 5.2' 6.9' 8.7'	272 121 68 44	1.7' 2.6' 3.5' 4.3'	0.8' 1.3' 1.7' 2.1'
35W MR16 SP (FRA)	20°	3900	4000	6' 8' 10' 12'	108 61 39 27	2.1' 2.8' 3.5' 4.2'	2.1' 2.8' 3.5' 4.2'	5' 7' 9' 11'	2.9' 4.0' 5.2' 6.4'	101 52 31 21	2.4' 3.3' 4.3' 5.2'	2.0' 2.9' 3.7' 4.5'	3' 4' 5' 6'	3.5' 5.2' 6.9' 8.7'	122 54 30 20	3.1' 4.7' 6.2' 7.8'	1.4' 2.1' 2.8' 3.5'
35W MR16 FL (FMW)	40°	1600	4000	4' 6' 8' 10'	100 44 25 16	2.9' 4.4' 5.8' 7.3'	2.9' 4.4' 5.8' 7.3'	3' 5' 7' 9'	1.7' 2.9' 4.0' 5.2'	115 42 21 13	3.0' 5.1' 7.1' 9.1'	2.5' 4.2' 5.8' 7.6'	1' 2' 3' 4'	1.7' 3.5' 5.2' 6.9'	200 50 22 13	4.8' 9.7' 14.5' 19.3'	1.5' 2.9' 4.4' 5.8'
37W MR16 IR NSP	10°	11,500	4000	6' 12' 16' 20'	180 80 45 29	1.4' 2.1' 2.8' 3.5'	1.4' 2.1' 2.8' 3.5'	7' 10' 13' 16'	4.0' 5.8' 7.5' 9.2'	152 75 44 29	1.6' 2.3' 3.0' 3.7'	1.4' 2.0' 2.8' 3.2'	3' 4' 5' 6'	5.2' 6.9' 8.7' 10.4'	160 90 58 40	2.1' 2.9' 3.6' 4.3'	1.0' 1.4' 1.7' 2.1'
37W MR16 IR NFL	25°	3,500	4000	6' 8' 10' 12'	97 55 35 24	2.7' 3.5' 4.4' 5.3'	2.7' 3.5' 4.4' 5.3'	5' 7' 9' 11'	2.9' 4.0' 5.2' 6.4'	91 46 28 19	3.0' 4.2' 5.4' 6.6'	2.6' 3.6' 4.6' 5.6'	2' 3' 4' 5'	3.5' 5.2' 6.9' 8.7'	109 49 27 18	4.2' 6.2' 8.3' 10.4'	1.8' 2.7' 3.5' 4.4'
37W MR16 IR FL	40°	2,050	4000	4' 6' 8' 10'	128 57 32 21	2.9' 4.4' 5.8' 7.3'	2.9' 4.4' 5.8' 7.3'	3' 5' 7' 9'	1.7' 2.9' 4.0' 5.2'	148 53 27 16	3.0' 5.1' 7.1' 9.1'	2.5' 4.2' 5.9' 7.6'	1' 2' 3' 4'	1.7' 3.5' 5.2' 6.9'	258 64 28 16	4.8' 9.7' 14.5' 19.3'	1.5' 2.9' 4.4' 5.8'
42W MR16 VNSP (EZY)	9°	13,100	3500	8' 12' 16' 20'	205 91 51 33	1.3' 1.9' 2.5' 3.1'	1.3' 1.9' 2.5' 3.1'	7' 10' 13' 16'	4.0' 5.8' 7.5' 9.2'	174 85 50 33	1.5' 2.1' 2.7' 3.4'	1.3' 1.8' 2.4' 2.9'	3' 4' 5' 6'	5.2' 6.9' 8.7' 10.4'	182 102 66 45	1.9' 2.6' 3.2' 3.8'	0.9' 1.3' 1.6' 1.9'
50W MR16 NSP (EXT)	14°	10,200	4000	8' 12' 16' 20'	159 71 40 26	2.0' 2.9' 3.8' 4.9'	2.0' 2.9' 3.8' 4.9'	7' 10' 13' 15'	4.0' 5.8' 7.5' 9.2'	135 66 39 28	2.3' 3.3' 4.3' 5.3'	2.0' 2.8' 3.7' 4.5'	3' 4' 5' 6'	5.2' 6.9' 8.7' 10.4'	142 80 51 35	3.1' 4.1' 5.1' 6.2'	1.5' 2.0' 2.5' 2.9'
50W MR16 NFL (EXZ)	27°	3400	4000	6' 8' 10' 12'	94 53 34 24	2.9' 3.8' 4.8' 5.8'	2.9' 3.8' 4.8' 5.8'	5' 7' 9' 11'	2.9' 4.0' 5.2' 6.4'	88 45 27 18	3.3' 4.6' 5.9' 7.2'	2.8' 3.9' 5.0' 6.1'	2' 3' 4' 5'	3.5' 5.2' 6.9' 8.7'	106 47 27 17	4.6' 7.0' 9.3' 11.6'	1.9' 2.9' 3.6' 4.8'
50W MR16 FL (EXN)	40°	1850	4000	4' 6' 8' 10'	116 51 29 19	2.9' 4.4' 5.8' 7.3'	2.9' 4.4' 5.8' 7.3'	3' 5' 7' 9'	1.7' 2.9' 4.0' 5.2'	134 48 25 15	3.0' 5.1' 7.1' 9.1'	2.5' 4.2' 5.9' 7.6'	1' 2' 3' 4'	1.7' 3.5' 5.2' 6.9'	231 58 26 14	4.8' 9.7' 14.5' 19.3'	1.5' 2.9' 4.4' 5.8'
50W MR16 WFL (FNV)	55°	1150	4000	3' 5' 7' 9'	128 46 23 14	3.1' 5.2' 7.3' 9.4'	3.1' 5.2' 7.3' 9.4'	3' 5' 7' 9'	1.7' 2.9' 4.0' 5.2'	83 30 15 9	4.6' 7.6' 10.7' 13.7'	3.6' 6.0' 8.4' 10.8'	1' 2' 3' 4'	1.7' 3.5' 5.2' 6.9'	144 36 16 9	22.3' 44.5' 66.8' 89.1'	2.1' 4.2' 6.2' 8.3'

Job Information **Type:**

Lightolier a Genlyte company www.lightolier.com
 631 Airport Road, Fall River, MA 02720 • (508) 679-8131 • Fax (508) 674-4710
 We reserve the right to change details of design, materials and finish.
 © 2006 Genlyte Group LLC • G0906

Free Manuals Download Website

<http://myh66.com>

<http://usermanuals.us>

<http://www.somanuals.com>

<http://www.4manuals.cc>

<http://www.manual-lib.com>

<http://www.404manual.com>

<http://www.luxmanual.com>

<http://aubethermostatmanual.com>

Golf course search by state

<http://golfingnear.com>

Email search by domain

<http://emailbydomain.com>

Auto manuals search

<http://auto.somanuals.com>

TV manuals search

<http://tv.somanuals.com>