

READ AND UNDERSTAND THESE INSTRUCTIONS BEFORE INSTALLING FIXTURE.
 This fixture is intended for installation in accordance with the National Electrical Code and local or Federal code specifications. To assure full compliance with codes and regulations, check with your local electrical inspector before installation. To prevent electrical shock, turn off electricity at fuse box before proceeding.
Retain these instructions for maintenance reference.

INSTRUCTION SHEET NO.
IS:1100F
 D0605 Page 1 of 2

Installation of Lytecaster® Frame-in-Kit 1100F Series

WARNING – (RISK OF FIRE) Do not install insulation within 3 inches of fixture sides or wiring compartments, nor above fixture in such a manner as to entrap heat.

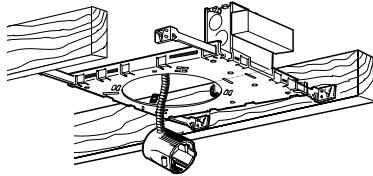


Fig. A
 1. Frame-In

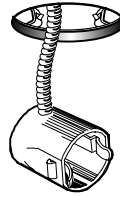


Fig. B
 2. Close-in

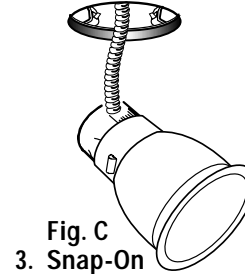


Fig. C
 3. Snap-On

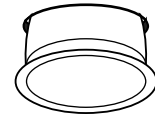


Fig. D
 4. Push-Up

NEW CONSTRUCTION

1. FRAME-IN (FIG. A)

WOOD JOIST/METAL STUD CONSTRUCTION (FIG. E): Line up bottom edge of ADJUSTABLE MOUNTING BAR with bottom of wood joist. Fasten MOUNTING FRAME to wood joist by nailing MOUNTING BAR TAB or nail into joist.

SUSPENDED GRID CEILING (FIG. G):

Position notched area of ADJUSTABLE MOUNTING BARS on top of T-BAR for proper spacing to finished ceiling. Lock MOUNTING BARS by bending TAB underneath T-BAR BEAD (Fig. G1). For round T-BAR BEAD, use screws to lock MOUNTING BARS (Fig. G2).

WIRE TO SUPPLY LEADS:

For cable, use built-in cable clamp in J-Box. Connect white fixture leads to neutral (white) supply leads. Black fixture leads to hot (black) supply leads. Bare fixture wire to supply ground. Use wirenuts (local hardware item). Place all electrical connections in the J-Box, attach J-Box cover.

NOTE: ADJUSTABLE MOUNTING BARS are pre-assembled on long side of MOUNTING FRAME for rigidity and ease of installation (Fig. E). MOUNTING BARS must be removed and installed on narrow side of MOUNTING FRAME if installing in 16" joist spacing (Fig. F).

MOUNTING BARS can be extended to 24". The MOUNTING FRAME can be mounted off-center.

For suspended ceilings, make certain that bottom of MOUNTING FRAME is no higher than 1" above finished ceiling (Fig. G).

2. CLOSE-IN (FIG. B)

Install plasterboard or other dry type ceiling. Hole in board can be cut either on floor or after the board is secured in the ceiling. Use MOUNTING FRAME opening as cutting guide template for hole – make sure ROTO CLIPS are rotated out of hole area.

NOTE: For wet plaster ceiling, use Plaster Ring Accessory No. 1961 - order separately.

3. SNAP-ON (FIG. C) } See separate instruction sheet
 4. PUSH-UP (FIG. D) } for your choice of reflector trim.

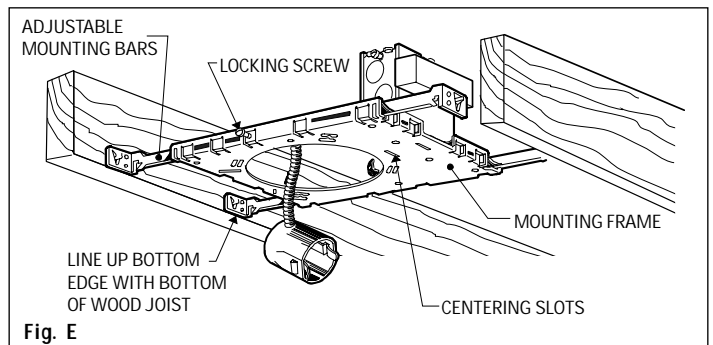


Fig. E

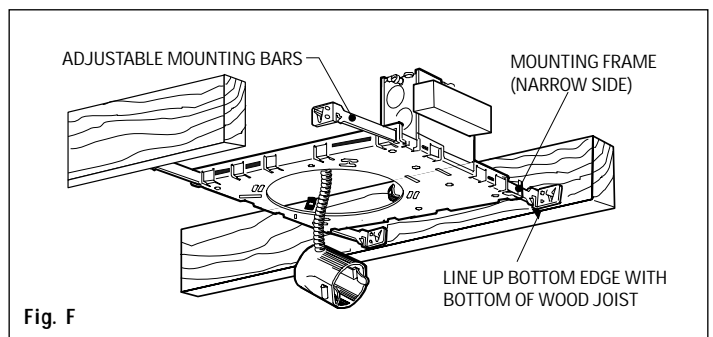


Fig. F

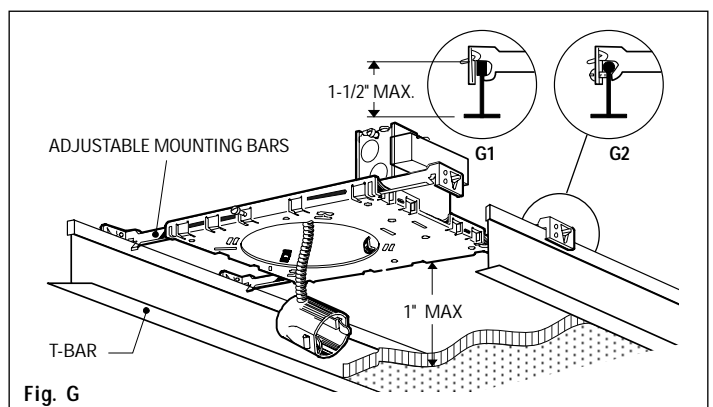


Fig. G

U.S. Patent Nos. 5,045,985; 4,313,154; 4,327,403

LIGHTOLIER® LIGHTOLIER a GENLYTE company.
 631 Airport Road, Fall River, MA 02720

READ AND UNDERSTAND THESE INSTRUCTIONS BEFORE INSTALLING FIXTURE.

This fixture is intended for installation in accordance with the National Electrical Code and local or Federal code specifications. To assure full compliance with codes and regulations, check with your local electrical inspector before installation. To prevent electrical shock, turn off electricity at fuse box before proceeding.

Retain these instructions for maintenance reference.

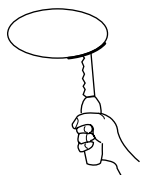
EXISTING CONSTRUCTION

Fig. A
1. Cut-Opening

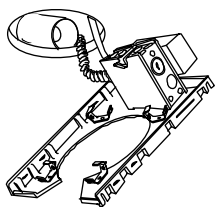


Fig. B
2. Wire-in

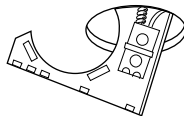


Fig. C
3. Put Through

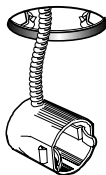


Fig. D
4. Anchor

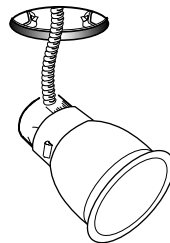


Fig. E
5. Snap-on



Fig. F
6. Push-up

1. CUT OPENING (FIG. A AND FIG. H)

- Remove ADJUSTABLE MOUNTING BARS.
- Use MOUNTING FRAME opening as template.
- Break off BRIDGE on MOUNTING FRAME as shown in Fig. H by breaking WEBS on SLOTS with cutting plier.

2. WIRE-IN (FIG. B)

For cable, use built in Cable Clamp in J-BOX. Connect white fixture lead to neutral (white) supply lead. Black fixture leads to hot (black) supply lead. Bare copper and/or green insulated wire(s) must all be connected to supply ground. Use wire nuts (local hardware items). Place all electrical connections in the J-BOX. Attach J-BOX COVER onto J-BOX.

3. PUT THROUGH (FIG. C AND FIG. J)

Detach BALLAST ASSEMBLY from J-BOX and pass MOUNTING FRAME into ceiling as shown in Fig. C. Reattach BALLAST ASSEMBLY.

4. ANCHOR (FIG. D AND FIG. I)

Using STAPLE (order separately Cat. #1985S), slide long end underneath raised embossing and short leg into ceiling (Fig. I).

- SNAP-ON (FIG. E)** } See separate instruction sheet
- PUSH-UP (FIG. F)** } for your choice of reflector trim.

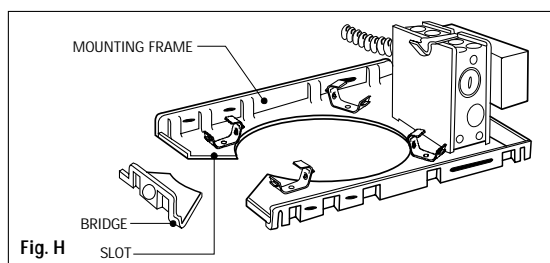


Fig. H

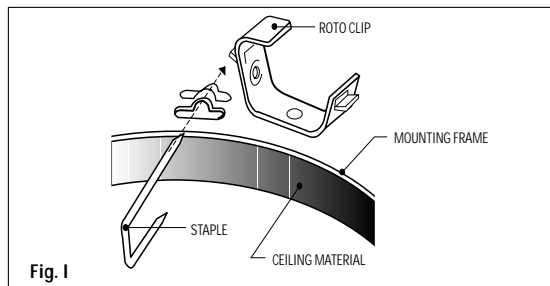


Fig. I

BALLAST REPLACEMENT (FIG. J)

NOTE: Ballast replacement must be provided by a "qualified electrician".

- TURN OFF POWER.
- Remove reflector trim from FRAME-IN KIT.
- Remove J-BOX COVER nearest ceiling opening by lifting SPRING.
- Disconnect all input wiring to ballast.
- Remove BALLAST ASSEMBLY from J-BOX by pulling SPRING upward (Fig. J).
- Remove BALLAST ASSEMBLY through ceiling opening.
- Release all wires from BALLAST WIRE CONNECTORS by inserting small blade tool, with insulated handle, into WIRE RELEASE SLOTS. (Fig K).

NOTE: Replacement ballast kits generally are supplied with this special wire release tool.

- Remove (2) NUTS which hold BALLAST to J-BOX COVER.
- Replace old BALLAST with new BALLAST and attach with NUTS to J-BOX COVER.
- Reassemble new BALLAST ASSEMBLY to J-BOX by snapping onto J-BOX spring (Fig. J).
- Rewire fixture. See WIRING DIAGRAM on BALLAST LABEL.

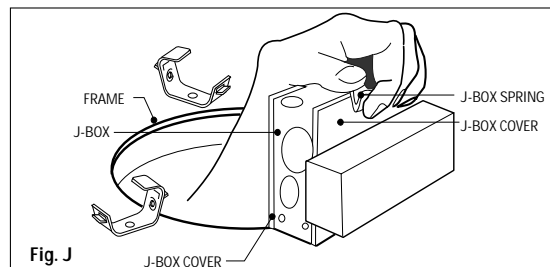
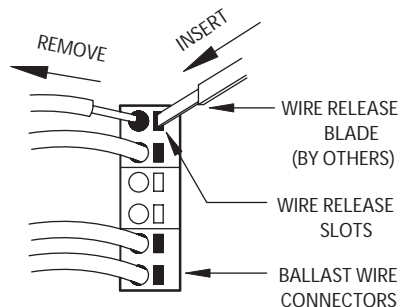


Fig. J



Free Manuals Download Website

<http://myh66.com>

<http://usermanuals.us>

<http://www.somanuals.com>

<http://www.4manuals.cc>

<http://www.manual-lib.com>

<http://www.404manual.com>

<http://www.luxmanual.com>

<http://aubethermostatmanual.com>

Golf course search by state

<http://golfingnear.com>

Email search by domain

<http://emailbydomain.com>

Auto manuals search

<http://auto.somanuals.com>

TV manuals search

<http://tv.somanuals.com>