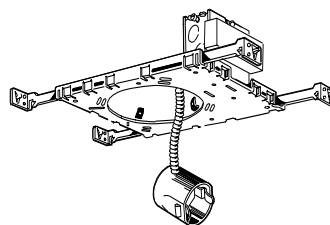
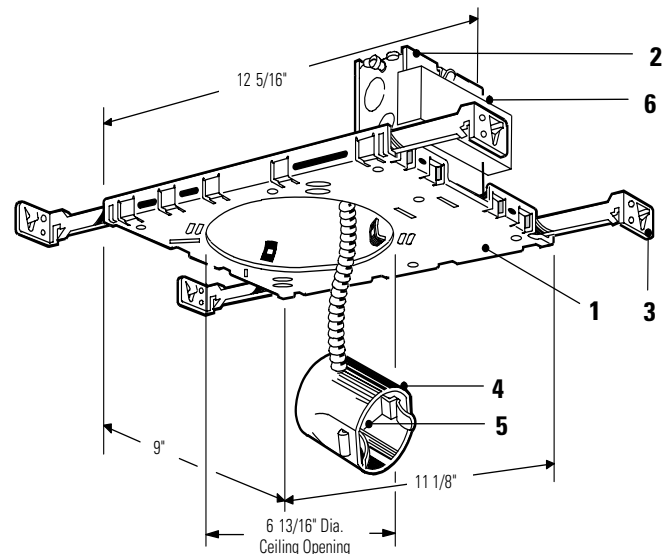


# Lytecaster® Recessed Downlighting **1100FTUES**



Frame-In Kit



Reflector Trim

Note: Ballast is 120V only



Complete Fixture consists of Reflector Trim & Frame-In Kit.

Frame-In Kit			Reflector Trims — See Individual Reflector Trim Specification Sheets							
	Voltage	Lamp	Open Downlight						Enclosed Diffusers	Wall Washer
			Reflector	Cone	Satin Cone	Baffles	Basic White	Cross Blade		
<b>1100FTUES</b>	120V	26W and 32W triple tube	<b>1143</b>	<b>1112</b>	<b>1108</b>	<b>1105</b>	<b>1171</b> <b>1170M1</b>	<b>1132</b>	<b>1121</b>	<b>1135</b>
			<b>1144</b>	<b>1112NM</b>	<b>1108NM</b>	<b>1105WH</b>			<b>1124</b>	<b>1135WH</b>
			<b>1144CD</b>	<b>1113</b>	<b>1110</b>	<b>1105BNM</b>			<b>1126</b>	<b>1185</b>
			<b>1145</b>	<b>1113BK</b>	<b>1110NM</b>	<b>1105NM</b>			<b>1128</b>	<b>1186</b>
			<b>1146</b>	<b>1113CD</b>		<b>1176</b>			<b>1134</b>	<b>1186WH</b>
			<b>1146CD</b>	<b>1113WH</b>		<b>1176WH</b>			<b>1177SH</b>	<b>1195</b>
				<b>1113NM</b>		<b>1179M1</b>			<b>1178SH</b>	<b>1196</b>
				<b>1113CDNM</b>		<b>1179WH</b>			<b>1190</b>	<b>1196CD</b>

## Features

- Mounting Frame:** 0.036" (#20 ga.) galvanized steel. Accommodates all ceilings up to 1" thick; including existing or inaccessible areas. Breakout section and anchor nails for existing ceilings. Push-in/twist-out rotoclips hold reflector flush to ceiling.
- Junction Box:** 0.063" (#14 ga.) 4" x 3 1/2" x 2" galvanized steel. U.L. listed for maximum of 8 No. 12 ga., 75°C through branch circuit conductors. Integral cable clamps permit attachment of nonmetallic Romex® or Armored cable without the need for separate connectors.
- Mounting Bars:** 0.059" (#16 ga.) galvanized steel. 13" long bars extend to 27", rotatable and lockable, with integral T-bar tabs. Attaches to wood joist or T-bar ceilings without need of accessories.
- Socket Housing:** Steel precisely attached to reflector by spring clip.
- Socket:** Four-pin base, molded thermoplastic. Prewired with No. 18 AWM leads to junction box.
- Ballast:** Electronic 120V, end of lamp life protected, FCC class "B" consumer limits, class "A" sound rating. Energy Star® qualified. Insulation must be kept 3" away from fixture sides and wiring compartment and must not be placed above fixture in a manner which will entrap heat.

## Electrical

	26W	32W
Input Volts:	120V	120V
Input Watts:	29	36
Amps:	.24	0.31

Minimum starting temperature is 0°F.

## Options & Accessories

- Mounting Bars:** 1964 - 20" set of (2)  
**T-Bar Anchor Clips:** 1956 - set of (4) for use with above bars  
**Concealed Spline Ceiling Kit:** 1965 - set of (4), 1 1/2" to 2 1/2" Mtg. Ht.  
**Plaster Ceiling Ring:** 1960 - 7/8" depth for wet plaster ceilings.  
**Extra-Thick Ceiling Mounting Ring:** 1967A - up to 2" thick ceilings.  
**Remodeler Anchor Clip:** 1985S

## Labels

UL (Suitable for Damp Locations), I.B.E.W.  
 Romex® is a registered trademark of General Cable Industries Inc.  
**US Patent No's.: 5,045,985**

Job Information	Type:
<b>Job Name:</b>	
<b>Cat. No.:</b>	
<b>Lamp(s):</b>	
<b>Notes:</b>	

Lightolier a Genlyte company www.lightolier.com  
 631 Airport Road, Fall River, MA 02720 • (508) 679-8131 • Fax (508) 674-4710  
 We reserve the right to change details of design, materials and finish.  
 © 2006 Genlyte Group LLC • C0906

## Free Manuals Download Website

<http://myh66.com>

<http://usermanuals.us>

<http://www.somanuals.com>

<http://www.4manuals.cc>

<http://www.manual-lib.com>

<http://www.404manual.com>

<http://www.luxmanual.com>

<http://aubethermostatmanual.com>

Golf course search by state

<http://golfingnear.com>

Email search by domain

<http://emailbydomain.com>

Auto manuals search

<http://auto.somanuals.com>

TV manuals search

<http://tv.somanuals.com>