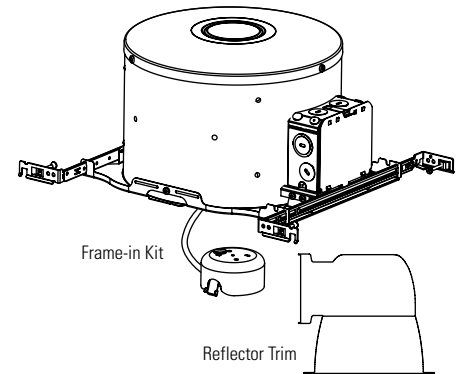
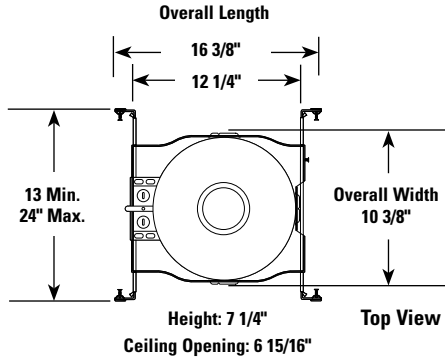
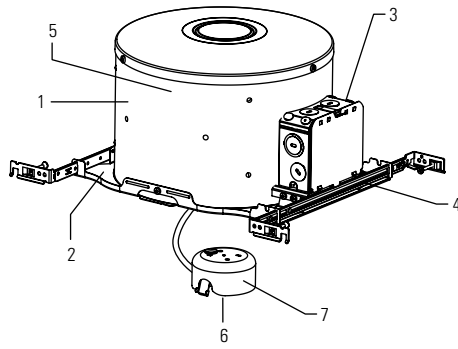


LIGHTOLIER® Performance Recessed CFL Downlighting **1101FDIC**

Page 1 of 1

6 3/4" Aperture, 1 Light, Compact Fluorescent, IC AirSeal®, Frame-In Kit



Complete Fixture consists of Frame-In Kit and Reflector Trim. Select each separately.

Uniframe™ Frame-In Kit	Uniframe™ Compact Fluorescent Performance Series Reflector Trims						
	Horizontal Open	Horizontal Wall Wash - Single	Horizontal Wet Location Lensed / Diffused		Horizontal Cross Blade		
1101FDICMX1** (Advance Mark 10- 120V)	1101HCL	1101HCLSW	Clear Lens	Fresnel	1101HACB		
	1101HCD	1101HCDSW	1101HCLC	1101HCLF	1101HWBCB		
1101FDICMX2** (Advance Mark 10- 277V)	1101HWH	1101HWHSW	1101HCDC	1101HCDF			
			1101HWHC	1101HWHF			
			Opal Lens				
			1101HCLO				
			1101HCDO				
			1101HWHO				
Universal Series Reflector Trims (Reference Trim Spec Sheet for Recommended Lamping)							
	Cone		Satin Cone		Wall Wash	Wet Location	Cross Blade
	1112*	1145	1108*	1105*	1195	1121	1132
	1113*	1146 / 1146CD	1110*	1105BNM	1196	1124	
	1113BK*	1143		1105WH	1196CD	1134	
	1113WH	1144 / 1144CD		1176		1177SH	
	1113CD*			1176WH		1178SH	
						1190	
						*Add NM suffix to catalog number for Natural Metal flange and finish.	

**Add N to catalog number for preset nails.

Features

- Housing:** .028" (#21ga.) aluminum. UL listed for direct contact with thermal insulation. AirSeal® housing minimizes air leakage to less than 2 CFM at 1.57 PSF (or 75pa), which complies with Model Energy Code (Section 602.3.3) and Washington State Energy Code (Section 502.4) and reduces heat loss and condensation in ceiling. Access door for inspection of junction box.
- Mounting Frame:** .032 (#22 ga.) galvanized steel. Accommodates ceilings up to 1 1/2" thick. 3/8" deep integral lip. Locks into position along length of mounting bars with locking screw and bendable slot. Four slots are positioned 90° apart to simplify alignment. Push-in/twist-out roto-clips hold reflector flush to ceiling.
- Junction Box:** 2" X 4" X 3 1/2" (22 cu. in.) .032" (#22 ga.) galvanized steel. UL listed for maximum of 8 (#12 ga.) 90°C through branch circuit conductors.
- Mounting Bars:** .059" (#16 ga.) galvanized steel. Bars pivot for easy attachment and wire-in below ceiling line. Bars extend to accommodate 16" to 24" O.C. joist spacing. Bars can accommodate 12" O.C joist spacing after a slight field modification (see Instruction Sheet). Features integral self tapping phillips screws for secure attachment to wood or metal construction. Attaches to T-bar ceilings without the need of accessories.
- Ballast:** Mounted inside housing. 120V or 277V UL Listed Electronic Dimming Ballast, end of lamp life protection, class "P" thermally protected, class "A" sound rating.
- Socket:** Four-pin base, molded thermoplastic socket, prewired with No. 18 AWM leads to ballast.
- Socket Housing:** .036" (#20ga.) Galvanized Steel housing attaches to reflector trim by spring clip for precise optic alignment.

Options & Accessories

- Extra-Thick Ceiling**
- Mounting Ring:** 1967B - 1 1/4" to 2" thick ceilings

Labels

cULus Listed (Type I.C., Suitable for Damp Location), I.B.E.W.
Complies with Air Leakage Requirements stated in the Model Energy Code and the Washington State Energy Code.

AirSeal® is a registered trademark of Lightolier

Job Information	Type:
Job Name:	
Cat. No.:	
Lamp(s):	
Notes:	

631 Airport Road, Fall River, MA 02720 • (508) 679-8131 • Fax (508) 674-4710
We reserve the right to change details of design, materials and finish.
www.lightolier.com © 2008 Philips Group • C0608

Free Manuals Download Website

<http://myh66.com>

<http://usermanuals.us>

<http://www.somanuals.com>

<http://www.4manuals.cc>

<http://www.manual-lib.com>

<http://www.404manual.com>

<http://www.luxmanual.com>

<http://aubethermostatmanual.com>

Golf course search by state

<http://golfingnear.com>

Email search by domain

<http://emailbydomain.com>

Auto manuals search

<http://auto.somanuals.com>

TV manuals search

<http://tv.somanuals.com>