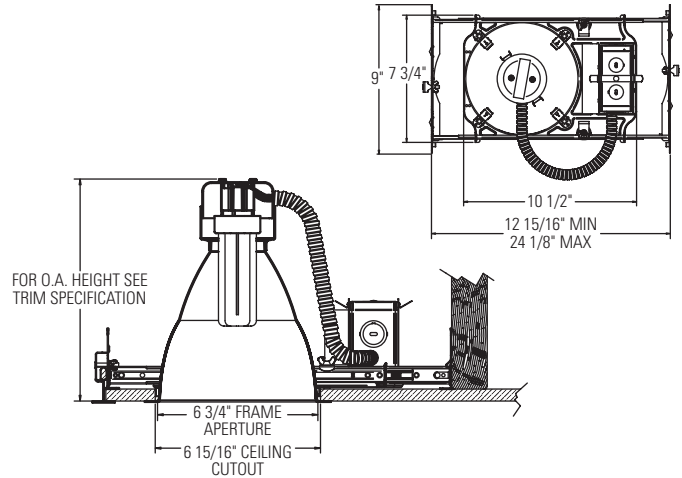
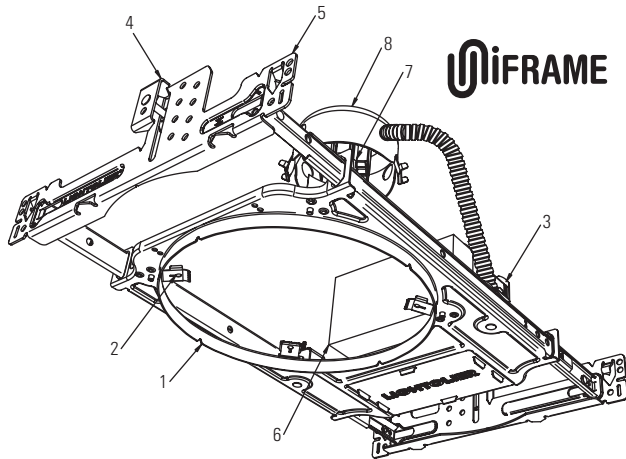


# LIGHTOLIER® Performance Recessed CFL Downlighting **1101FDM**

Page 1 of 1

Lytecaster 6 3/4" Aperture, 1 Light, Compact Fluorescent, Non-IC, Dimming, Frame-In Kit



Complete Fixture consists of Frame-In Kit and Reflector Trim. Select each separately.

Uniframe™ Frame-In Kit	Uniframe™ Compact Fluorescent Performance Series Reflector Trims							
	Vertical Open	Vertical Wall Wash - Single	Vertical Wall Wash - Double	Horizontal Open	Horizontal Wall Wash - Single	Horizontal Wet Location Lensed / Diffused		Horizontal Cross Blade
<b>1101FD2642MX1</b> (Advance Mark 10 - 120v)	<b>1101CL</b> <b>1101CD</b> <b>1101WH</b>	<b>1101CLSW</b> <b>1101CDSW</b> <b>1101WHSW</b>	<b>1101CLDW</b> <b>1101CDDW</b> <b>1101WHDW</b>	<b>1101HCL</b> <b>1101HCD</b> <b>1101HWH</b>	<b>1101HCLSW</b> <b>1101HCDSW</b> <b>1101HWHSW</b>	Clear Lens	Fresnel	<b>1101HACB</b> <b>1101HWHCB</b>
<b>1101FD2642MX2</b> (Advance Mark 10 - 277v)						<b>1101HCLC</b>	<b>1101HCLF</b>	
<b>1101FD2642M7U</b> (Advance Mark7 -120/ 277v)						<b>1101HCDC</b>	<b>1101HCDF</b>	
26w Quad/Triple GX24q-3 Base 120v – 0.26amp max 277v – 0.11amp max	<b>Universal Series Reflector Trims</b> (Reference Trim Spec Sheet for Recommended Lamping)							
32w Triple GX24q-3 Base 120v – 0.32amp max 277v – 0.14amp max	Performance Cone	Cone	Satin Cone	Baffle	Wall Wash	Wet Location		
42w Triple GX24q-4 Base 120v – 0.41amp max 277v – 0.18amp max	1113CFL 1113CDCFL	1112* 1113* 1113BK* 1113WH 1113CD* 1145 1146 / 1146CD 1143 1144 / 1144CD	1108* 1110*	1105* 1105BNM 1105WH 1176 1176WH	1135 1135WH 1195 1196 1196CD	1121 1124 1134 1177SH 1178SH 1190		

\*Add NM suffix to catalog number for Natural Metal flange and finish.

## Features

- Mounting Frame:** .036" (#20ga.) Galvanized Steel. Accommodates all ceilings up to 1-1/2" thick; including existing or inaccessible areas.
- Trim Clips:** "Push In / Twist Out" Stainless Steel clips hold reflector flush to ceiling.
- Junction Box:** 2" x 4" x 3-1/2" (22cu.in.) .032" (#22ga.) galvanized steel. UL Listed for maximum of 8 (#12ga.) through branch circuit conductors.
- Uniframe™ Mounting System – Grid Ceiling:** Tool free mounting in grid ceilings. .036" (20ga.) Galvanized Steel interlocking slide bars adjust to 24-1/8" long accommodating 24" O.C. Ceiling Grid. Adjustable speed clamps for positive attachment to grid ceiling systems.
- Uniframe™ Mounting System – Wood Joist Ceiling:** Integral nailing tabs, alignment guides, fastener holes and bendable strapping guides for wood joist installation. Galvanized Steel interlocking slide bars adjust from 12-15/16" to 24-1/8" long to accommodate 16" and 24" O.C. joist spacing, with or without strapping.
- Ballast:** 120V – 277V UL Listed Electronic Ballast, end of lamp life protection, class "P" thermally protected, class "A" sound rating.
- Socket:** Four-pin base, molded thermoplastic socket, prewired with No. 18 AWM leads to ballast.
- Socket Housing:** .036" (#20ga.) Galvanized Steel housing attaches to reflector trim by spring clip for precise optic alignment.

## Labels

**cULus Listed.** Suitable for Damp Locations.

## Accessories

1967A Extra Thick Ceiling Adapter (up to 2" thk)

Job Information	Type:
<b>Job Name:</b>	
<b>Cat. No.:</b>	
<b>Lamp(s):</b>	
<b>Notes:</b>	

631 Airport Road, Fall River, MA 02720 • (508) 679-8131 • Fax (508) 674-4710  
We reserve the right to change details of design, materials and finish.  
www.lightolier.com © 2008 Philips Group • E0408

## Free Manuals Download Website

<http://myh66.com>

<http://usermanuals.us>

<http://www.somanuals.com>

<http://www.4manuals.cc>

<http://www.manual-lib.com>

<http://www.404manual.com>

<http://www.luxmanual.com>

<http://aubethermostatmanual.com>

Golf course search by state

<http://golfingnear.com>

Email search by domain

<http://emailbydomain.com>

Auto manuals search

<http://auto.somanuals.com>

TV manuals search

<http://tv.somanuals.com>